



US00D613032S

(12) **United States Design Patent**
Lin

(10) **Patent No.:** **US D613,032 S**
(45) **Date of Patent:** **** Apr. 6, 2010**

(54) **SQUARE CIGARETTE-MAKING MACHINE**

CA 1128396 7/1982

(75) Inventor: **Mei Lin**, Glenview, IL (US)

(73) Assignee: **Republic Tobacco L.P.**, Glenview, IL (US)

(**) Term: **14 Years**

(21) Appl. No.: **29/340,635**

(22) Filed: **Jul. 22, 2009**

(51) **LOC (9) Cl.** **27-02**

(52) **U.S. Cl.** **D2/194**

(58) **Field of Classification Search** D27/194;
131/58, 60, 70, 81.1

See application file for complete search history.

(56) **References Cited**

U.S. PATENT DOCUMENTS

2,551,095	A	5/1951	Chaze	
2,699,787	A	1/1955	Kastner	
2,714,383	A *	8/1955	Gee	131/70
2,731,971	A *	1/1956	Kastner	131/70
3,127,900	A *	4/1964	Kastner	131/70
D219,495	S *	12/1970	Bessier	D27/194
3,688,777	A	9/1972	Kastner	
3,699,975	A *	10/1972	Saraber	131/70
3,746,011	A	7/1973	Kappeler et al.	
D241,354	S *	9/1976	Kastner	D27/194
D250,965	S *	1/1979	Moscovitch	D27/194
4,167,948	A	9/1979	Moscovitch	
4,249,546	A *	2/1981	Heil et al.	131/70
4,411,278	A	10/1983	Kastner	
5,088,506	A *	2/1992	Kastner	131/70
6,557,560	B2	5/2003	Kastner	
D544,643	S *	6/2007	Lin	D27/194
D545,494	S *	6/2007	Soeprapto	D27/194
D553,793	S *	10/2007	Lin	D27/194

FOREIGN PATENT DOCUMENTS

CA 6437473 6/1962

OTHER PUBLICATIONS

Photograph No. 1, Front and Top View of Premier Cigarette Making Machine.

Photograph No. 2, Front and Top View of Supermatic Cigarette Making Machine.

Photograph No. 3, Front and Top View of Premier Supermatic Cigarette Making Machine.

Photograph No. 4, Top View of Magnum Injector Cigarette Making Machine.

* cited by examiner

Primary Examiner—Dominic Simone

(74) *Attorney, Agent, or Firm*—Drinker Biddle & Reath LLP

(57) **CLAIM**

The ornamental design for a square cigarette-making machine, as shown and described.

DESCRIPTION

FIG. 1 is a front perspective view of a square cigarette-making machine showing my new design;

FIG. 2 is a rear perspective view of a square cigarette-making machine showing my new design;

FIG. 3 is a top plan view thereof;

FIG. 4 is a front elevation view thereof;

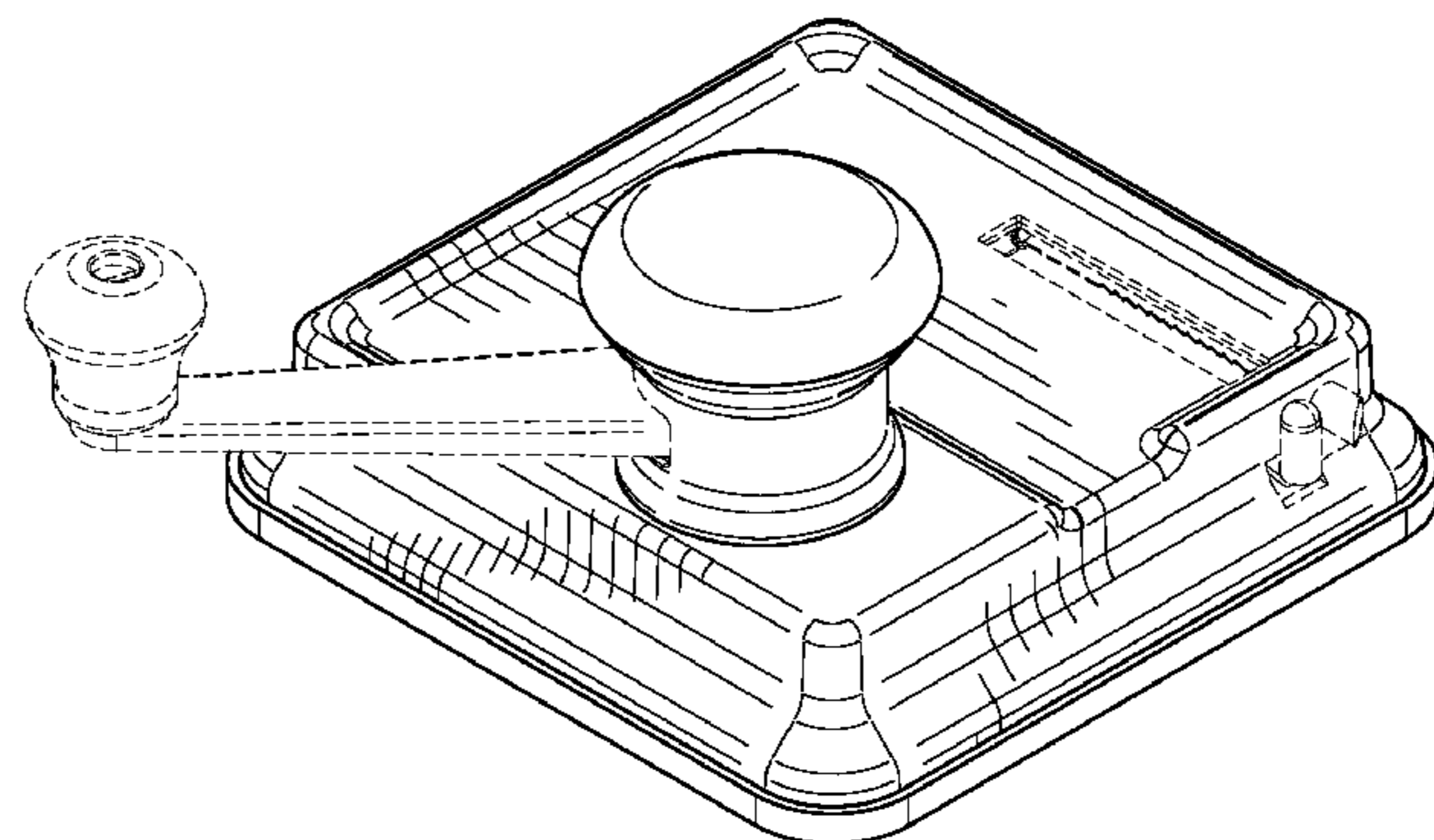
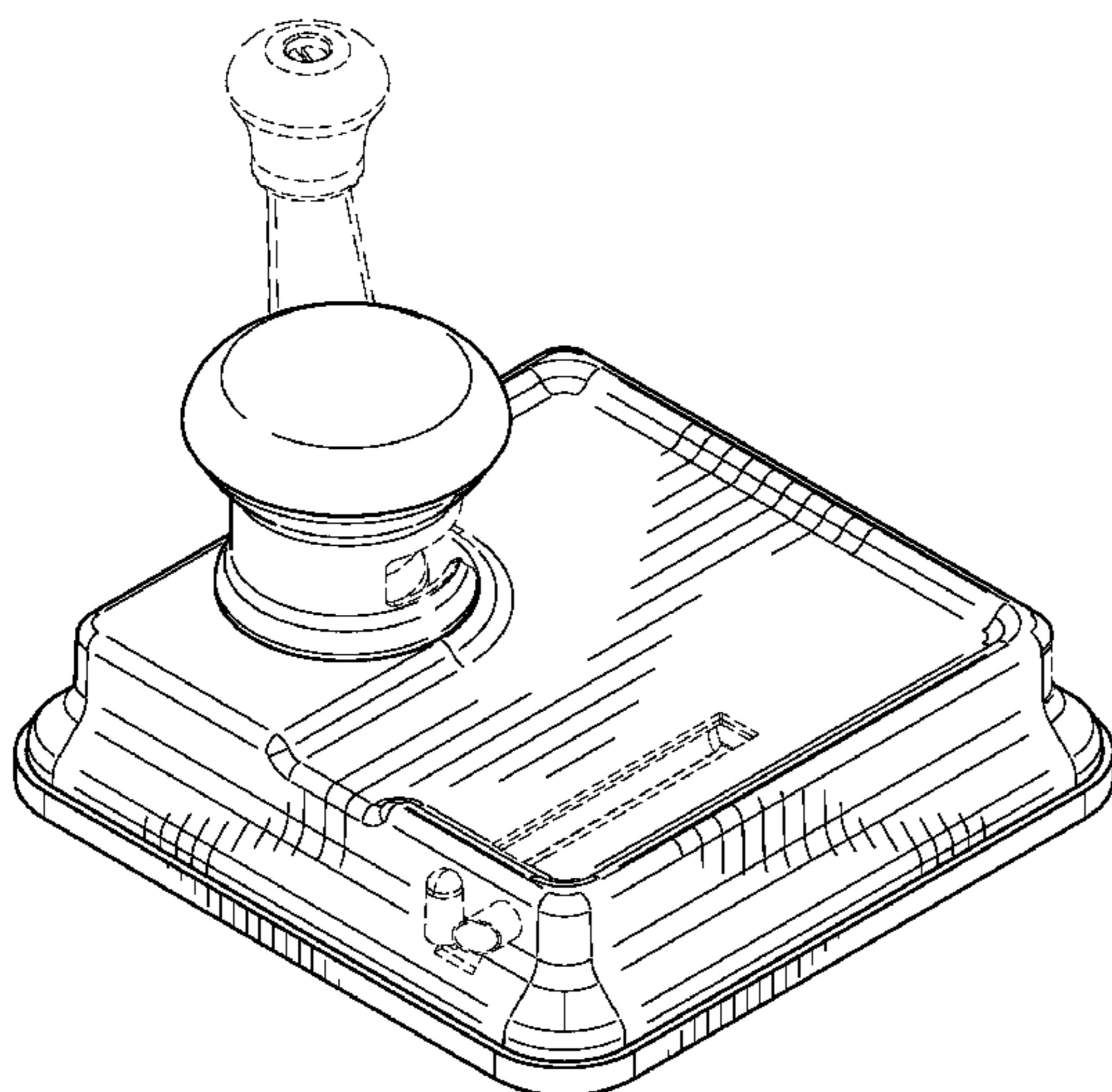
FIG. 5 is a right side elevation view thereof;

FIG. 6 is a bottom plan view thereof;

FIG. 7 is a rear elevation view thereof; and,

FIG. 8 is a left side elevation view thereof, wherein the broken lines in the Figures are for illustrative purposes only and form no part of the claimed design.

1 Claim, 4 Drawing Sheets



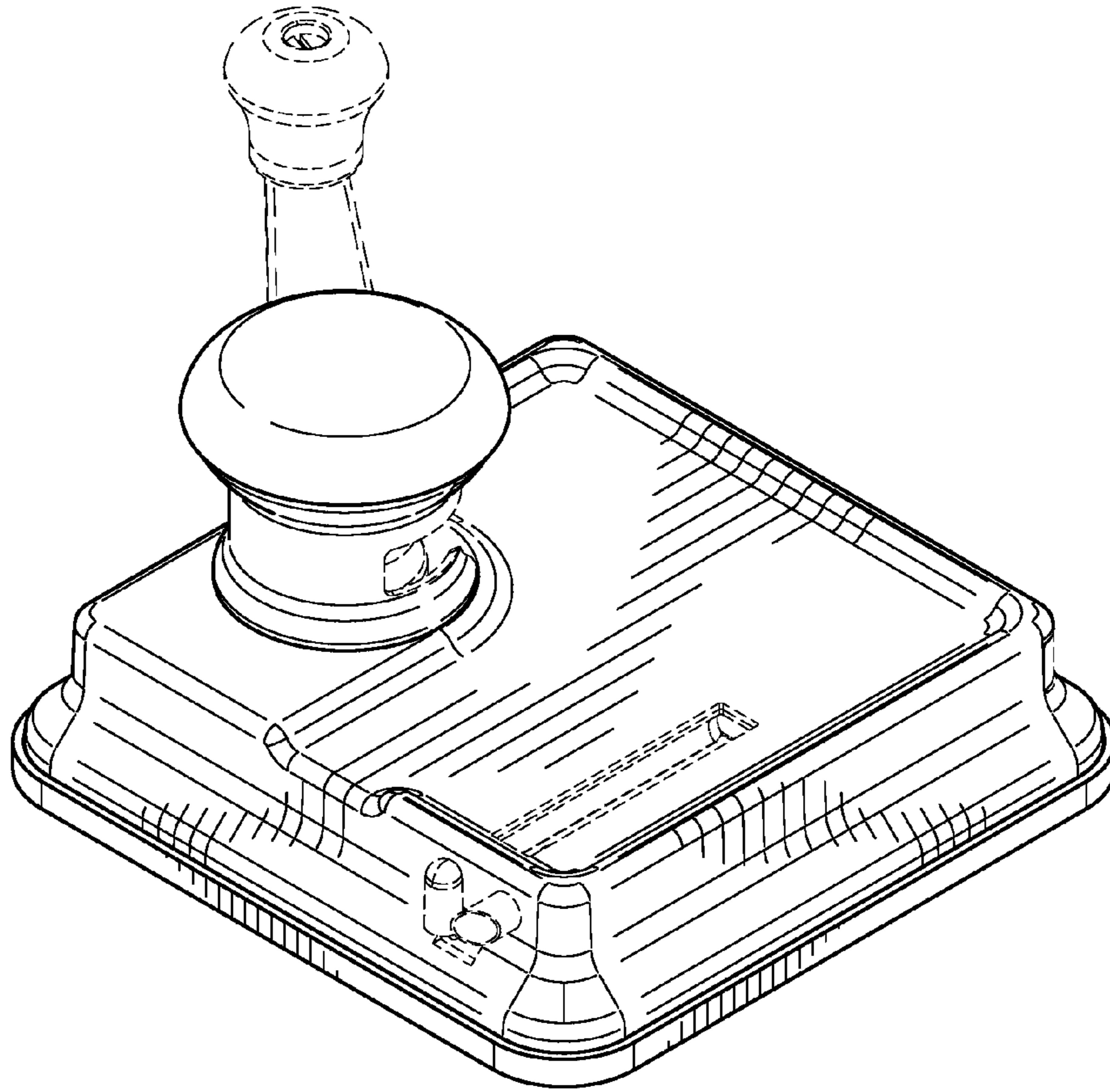


FIG. 1

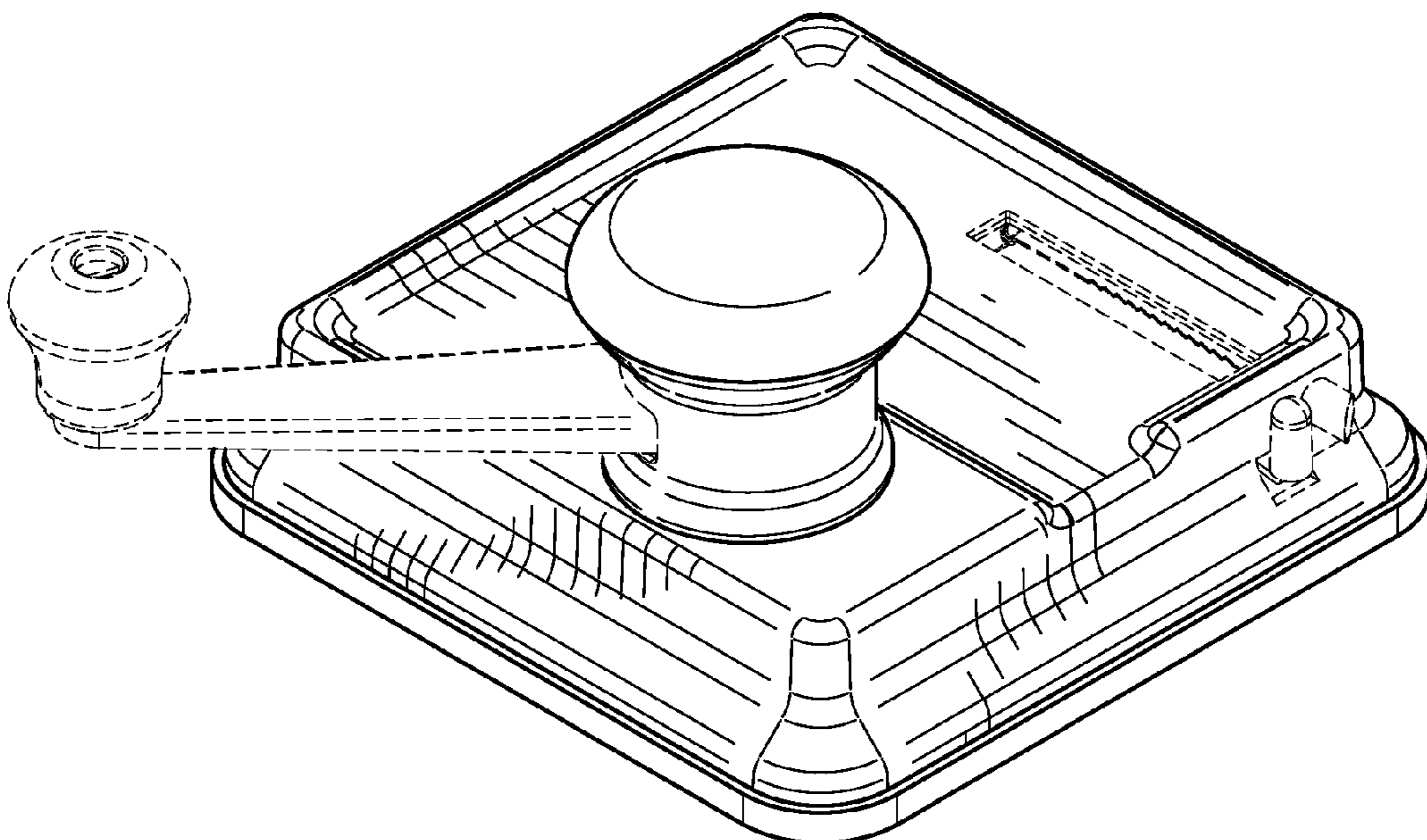


FIG. 2

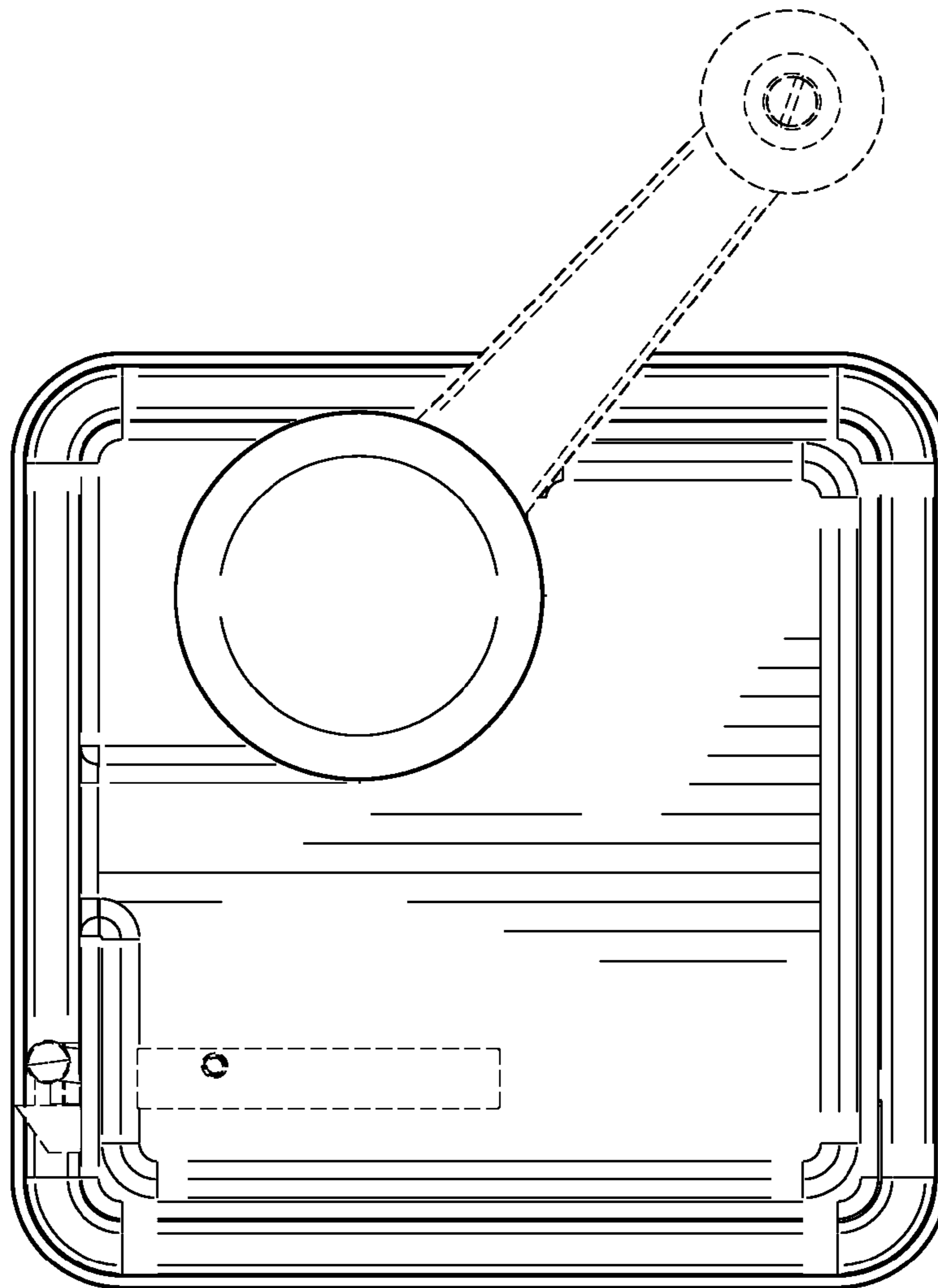


FIG. 3

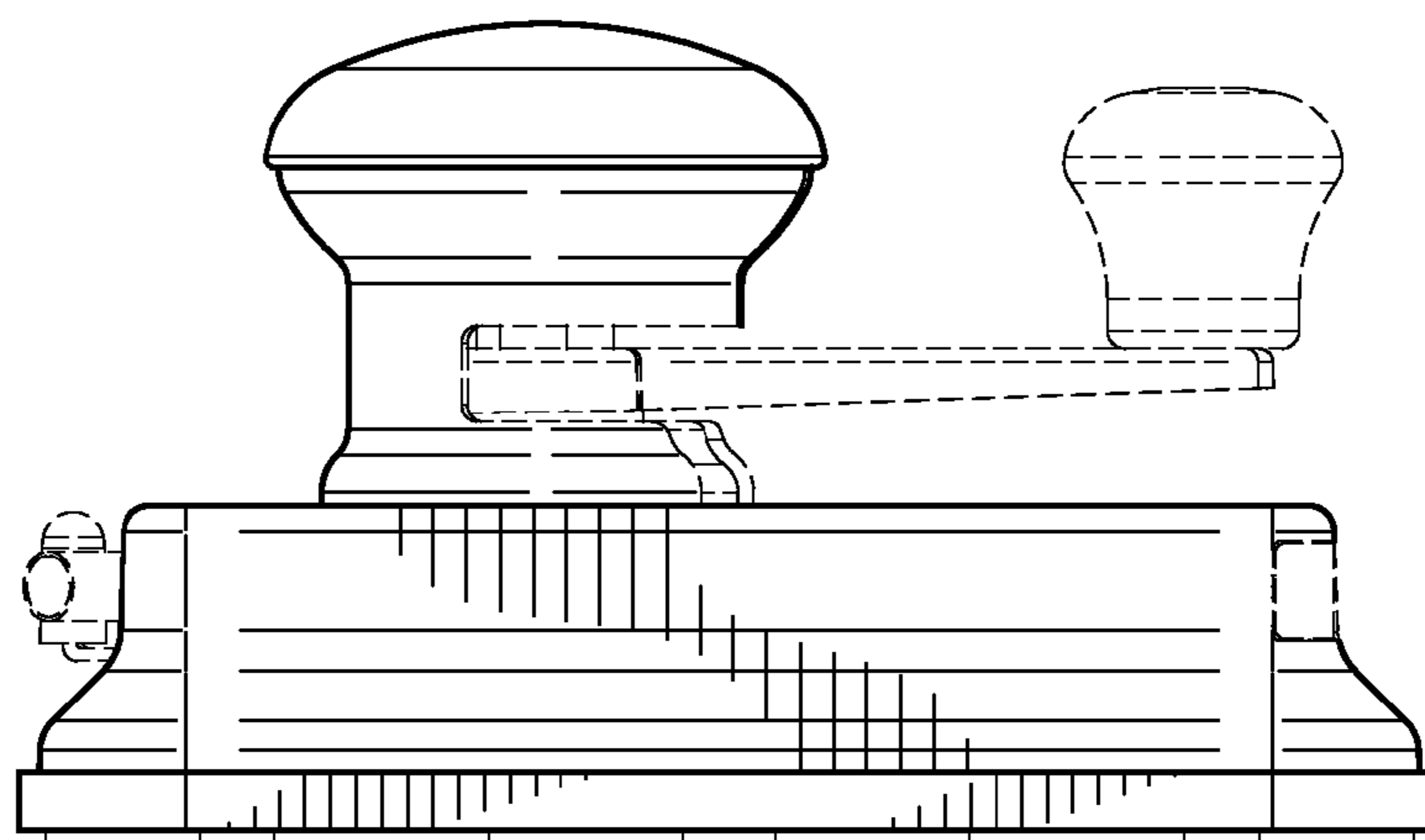


FIG. 4

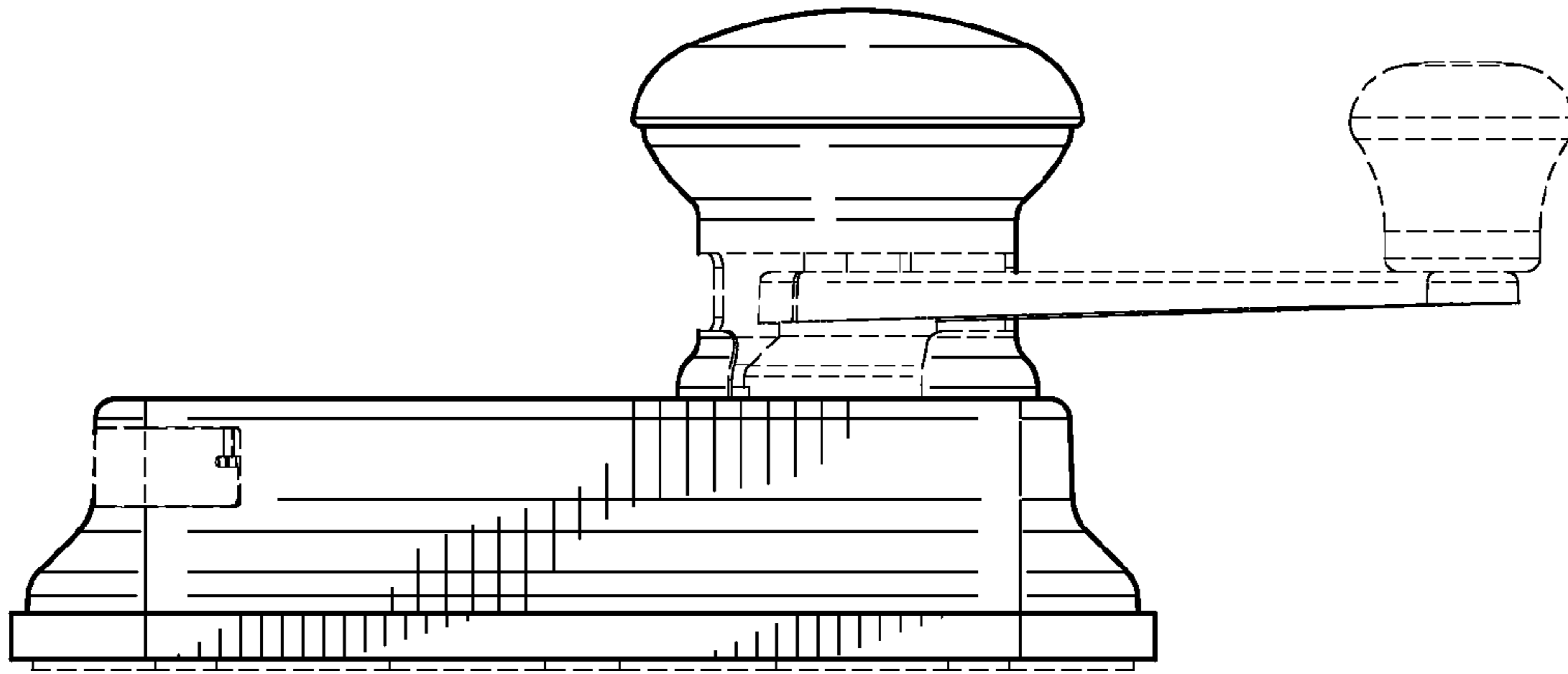


FIG. 5

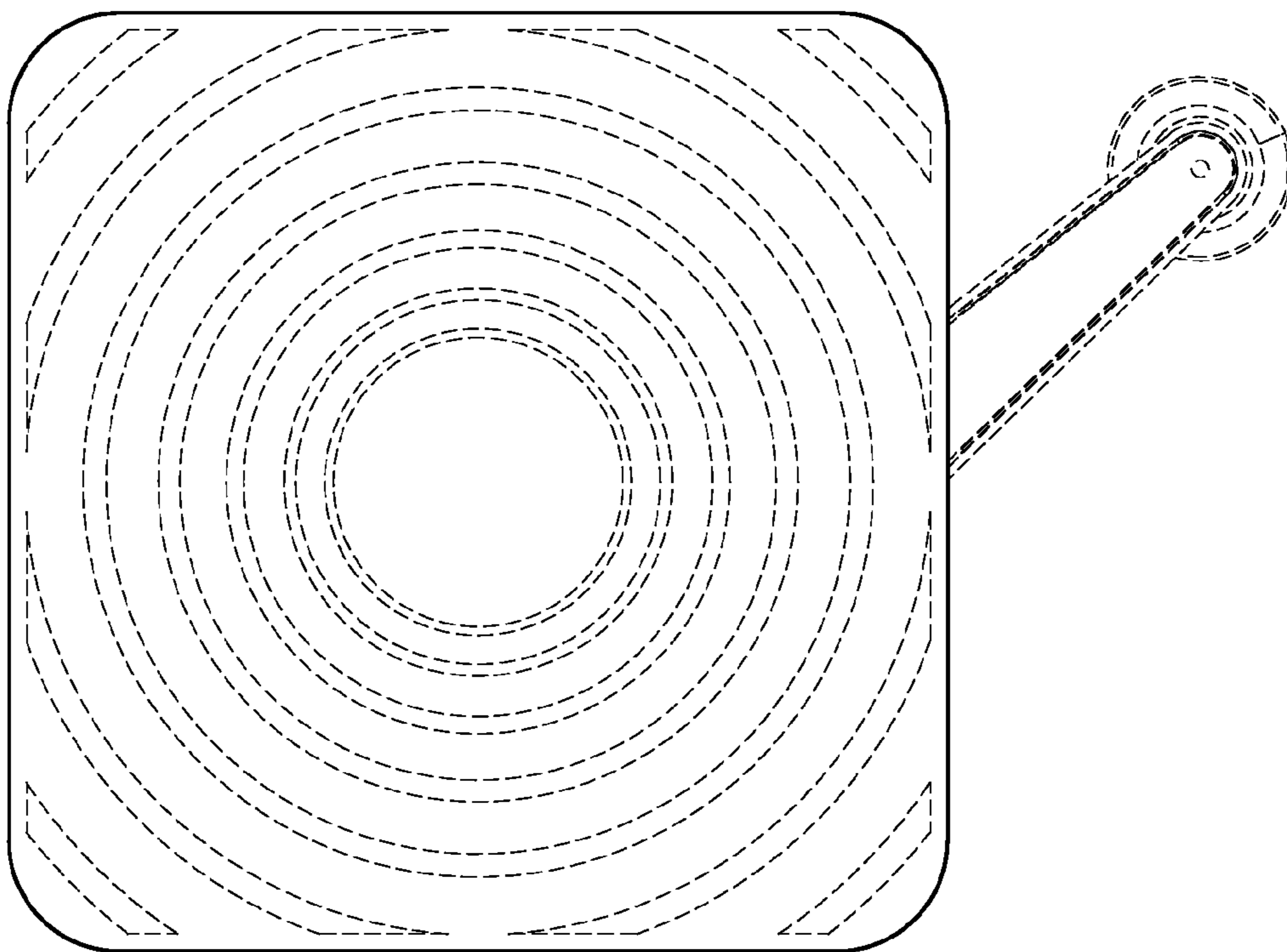


FIG. 6

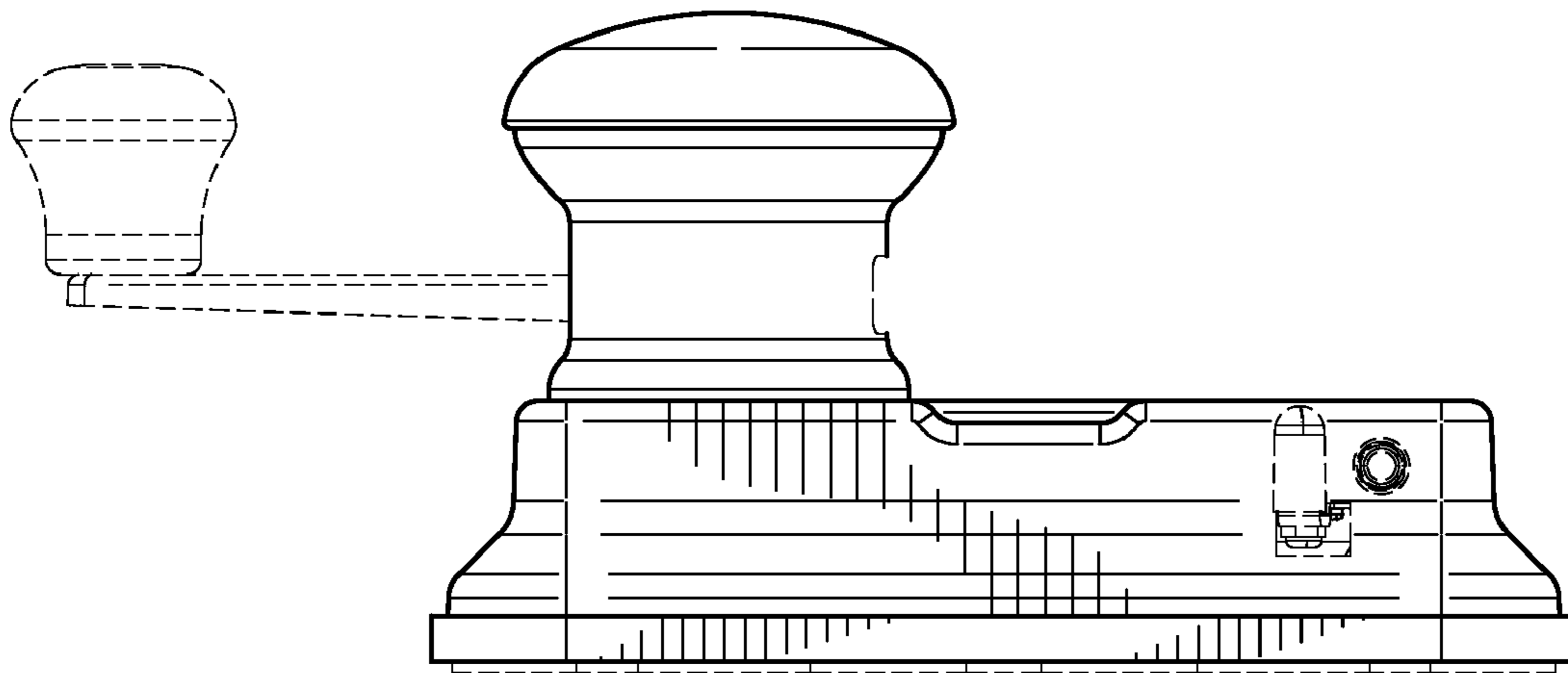


FIG. 7

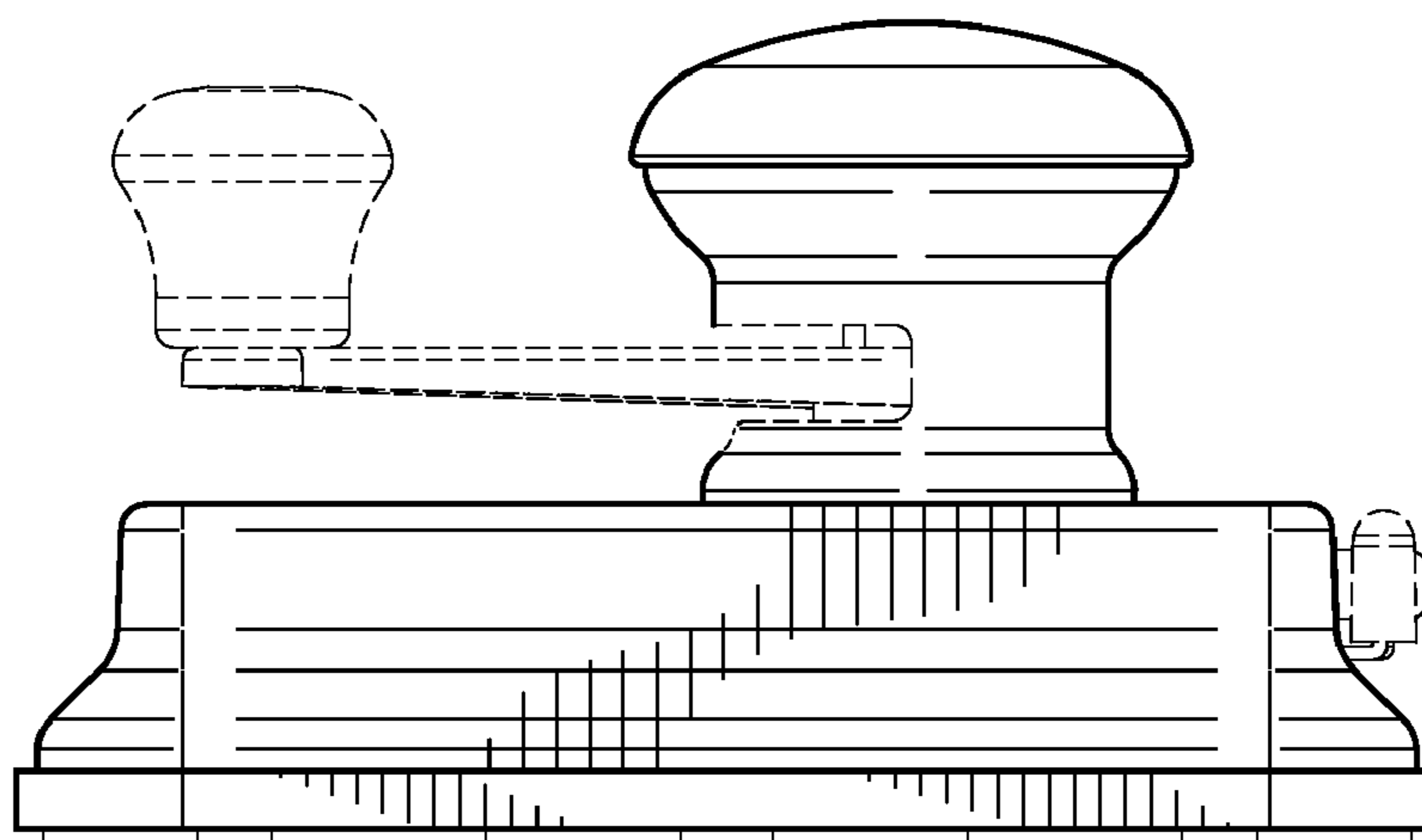


FIG. 8