



US00D613031S

(12) **United States Design Patent**
Pawlowski et al.

(10) **Patent No.:** **US D613,031 S**

(45) **Date of Patent:** **** Apr. 6, 2010**

(54) **ROUND PRESSED TABLET**

(75) Inventors: **Rocco A. Pawlowski**, Wheaton, IL (US);
Michael Fournier, Downers Grove, IL (US)

(73) Assignee: **Wm. Wrigley Jr. Company**, Chicago, IL (US)

(**) Term: **14 Years**

(21) Appl. No.: **29/338,068**

(22) Filed: **Jun. 3, 2009**

(51) **LOC (9) Cl.** **01-01**

(52) **U.S. Cl.** **D1/130**

(58) **Field of Classification Search** D1/100,
D1/101, 121, 127, 128, 130, 199; D21/386;
D24/101, 104; D28/8.1; 426/76, 103, 122,
426/144, 660, 512, 515

See application file for complete search history.

(56) **References Cited**

U.S. PATENT DOCUMENTS

315,559 A	4/1885	Schwarzschild	
D28,455 S	4/1898	Baker	
2,613,185 A	10/1952	Marshall	
D187,372 S	3/1960	Dailey	
2,928,770 A	3/1960	Bardani	
D201,497 S *	6/1965	Ninger	D24/103
D224,591 S *	8/1972	Roberts	D24/103
D228,456 S	9/1973	Ninger	
3,883,647 A *	5/1975	Geller	424/467
RE29,077 E *	12/1976	Geller	424/467
D252,054 S	6/1979	Carles	
D285,490 S	9/1986	Tovey	
D297,575 S	9/1988	Yates	
D375,383 S	11/1996	Williams	

6,004,334 A	12/1999	Mythen	
D442,334 S	5/2001	Friesenhahn	
D443,106 S *	5/2001	Friesenhahn	D28/8.1
D447,835 S *	9/2001	Whitaker et al.	D28/8.1
D535,390 S	1/2007	Stawski	
D535,391 S *	1/2007	Stawski et al.	D24/103
D586,397 S *	2/2009	Farnworth et al.	D19/53
D601,689 S *	10/2009	Karolak et al.	D24/101
D601,690 S *	10/2009	Hodges	D24/102
D604,926 S *	12/2009	Colman et al.	D1/106

* cited by examiner

Primary Examiner—Cathron C Brooks

Assistant Examiner—Barbara Fox

(74) *Attorney, Agent, or Firm*—Gordon N. McGrew; Wm. Wrigley Jr. Company

(57) **CLAIM**

The ornamental design for a round pressed tablet, as shown and described.

DESCRIPTION

FIG. 1 is a top perspective view of a round tablet showing our new design with portions shown in stippling to indicate color contrast;

FIG. 2 is a right end elevation thereof, the side opposite being a mirror image;

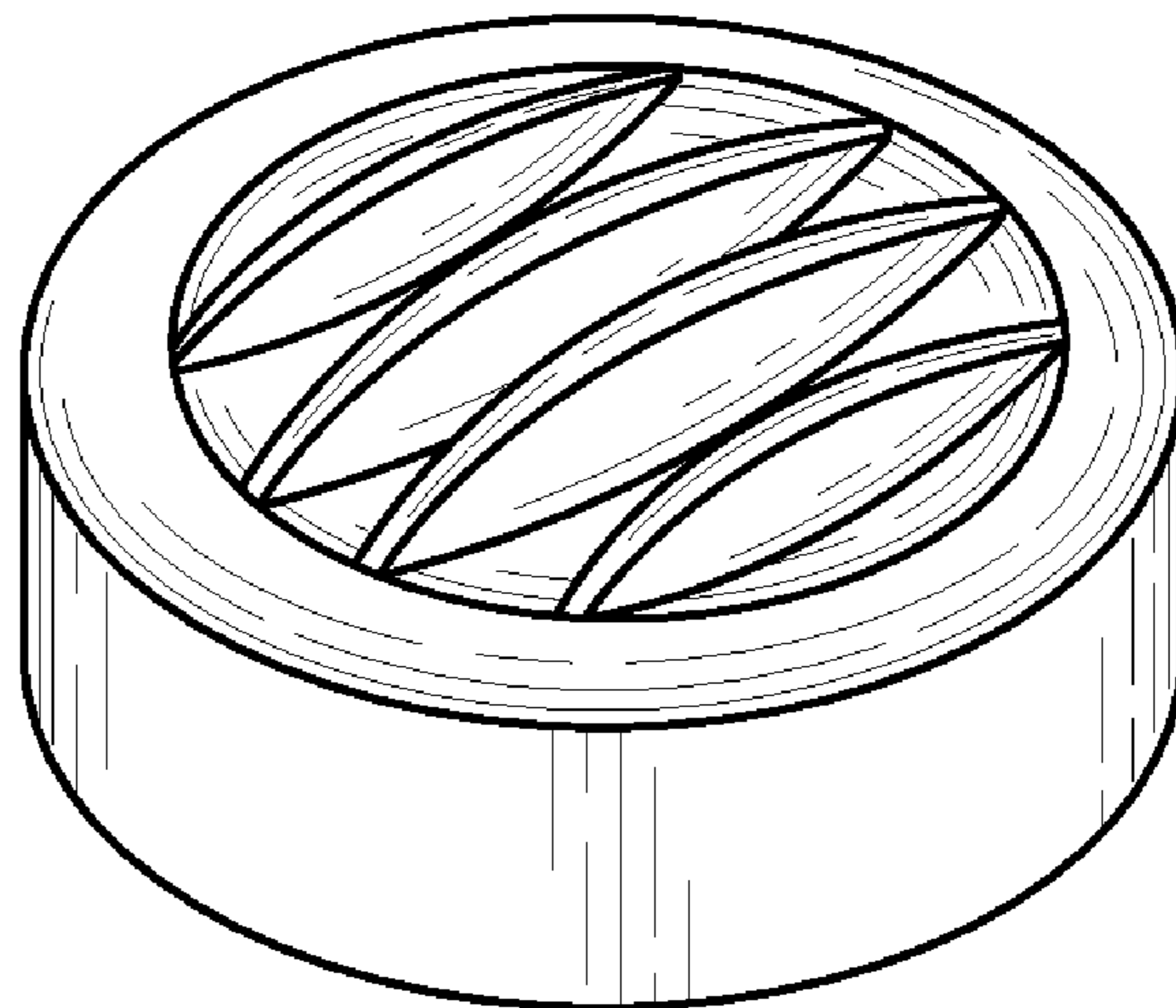
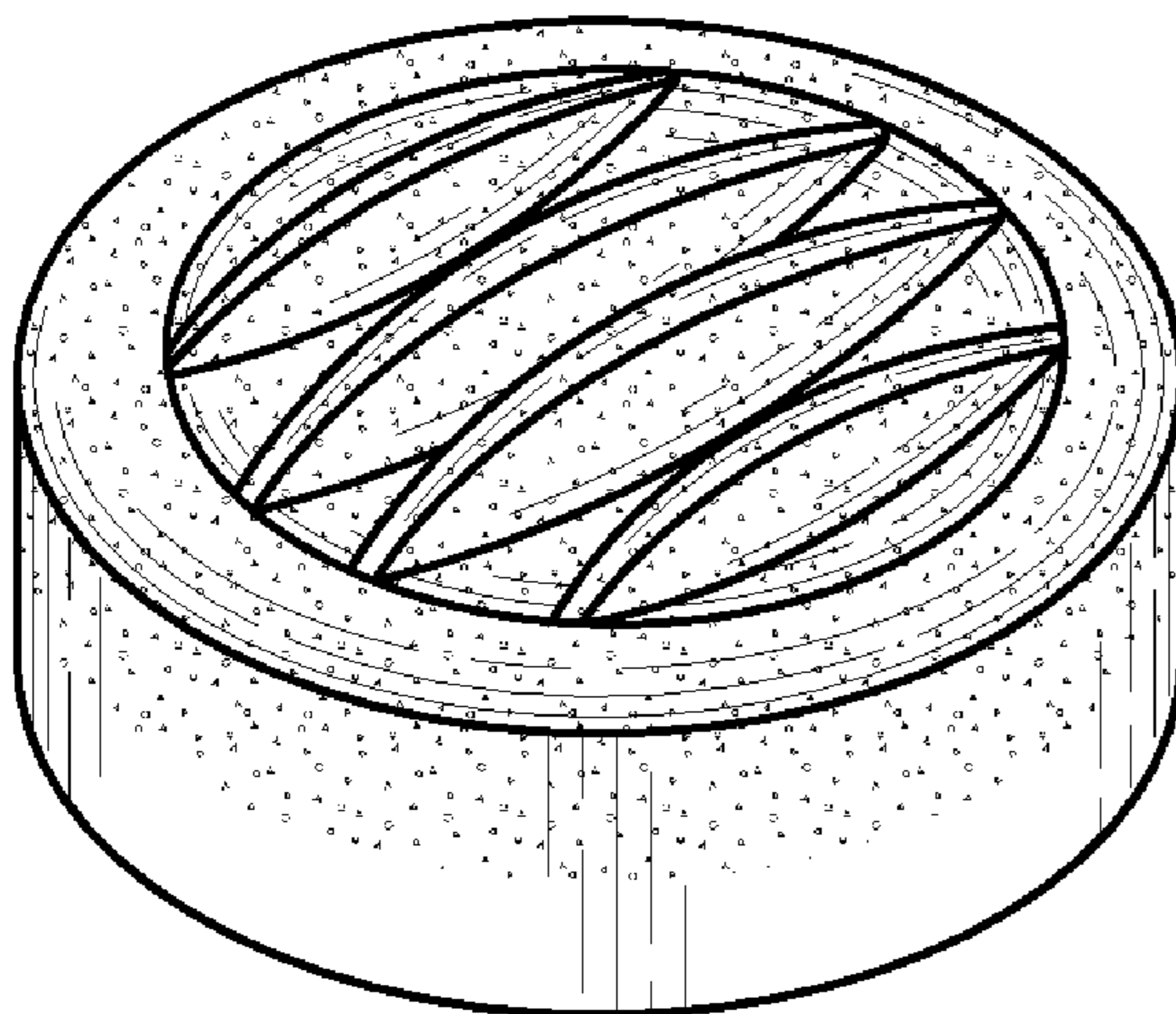
FIG. 3 is a front elevation, the side opposite being a mirror image thereof;

FIG. 4 is a top plan view thereof;

FIG. 5 is a bottom plan view thereof; and,

FIG. 6 is a top perspective view of a modified embodiment of the design shown in FIGS. 1 through 5, the other views being identical thereto apart from the lack of stippling to indicate color contrast.

1 Claim, 2 Drawing Sheets



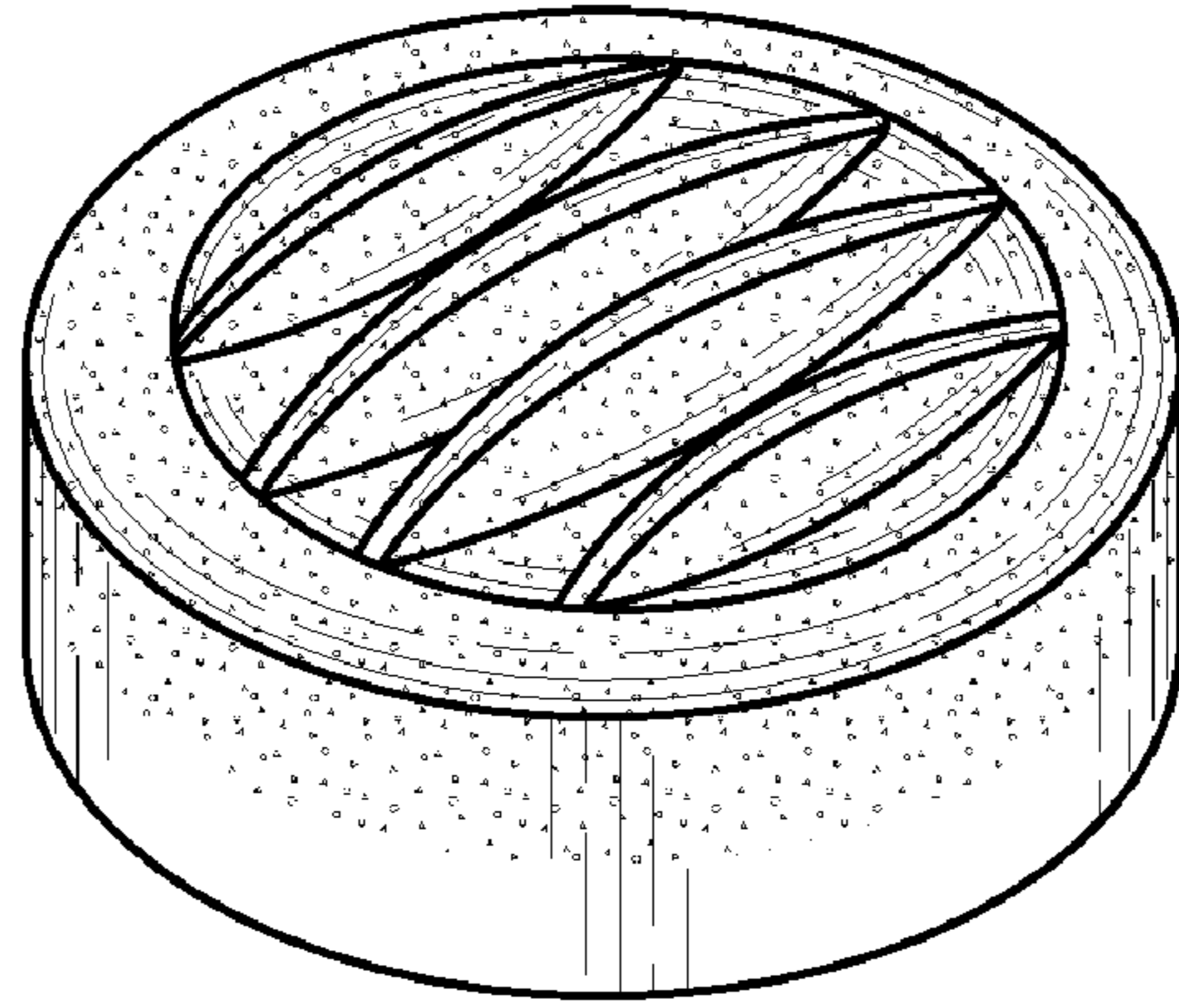


FIG. 1

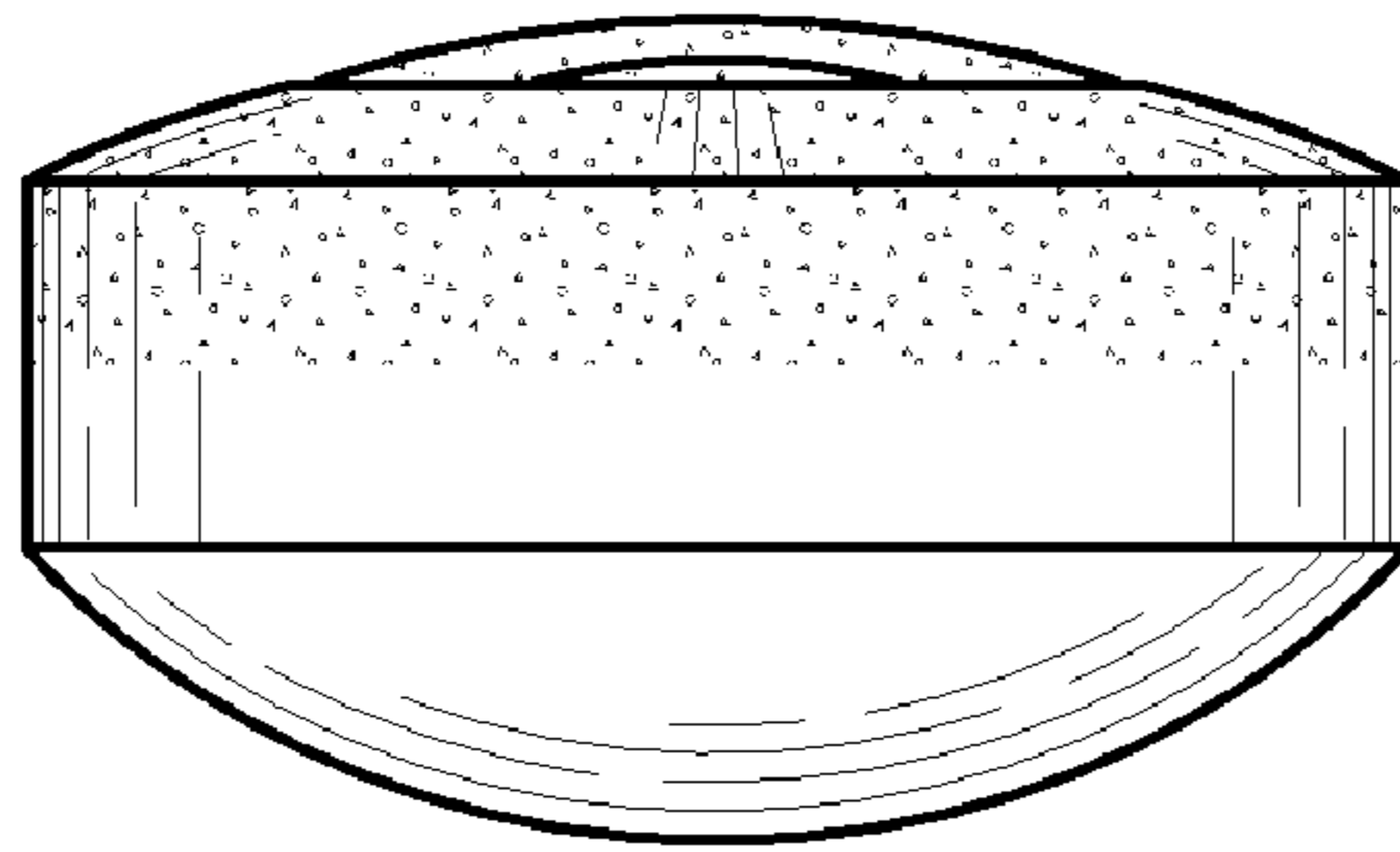


FIG. 2

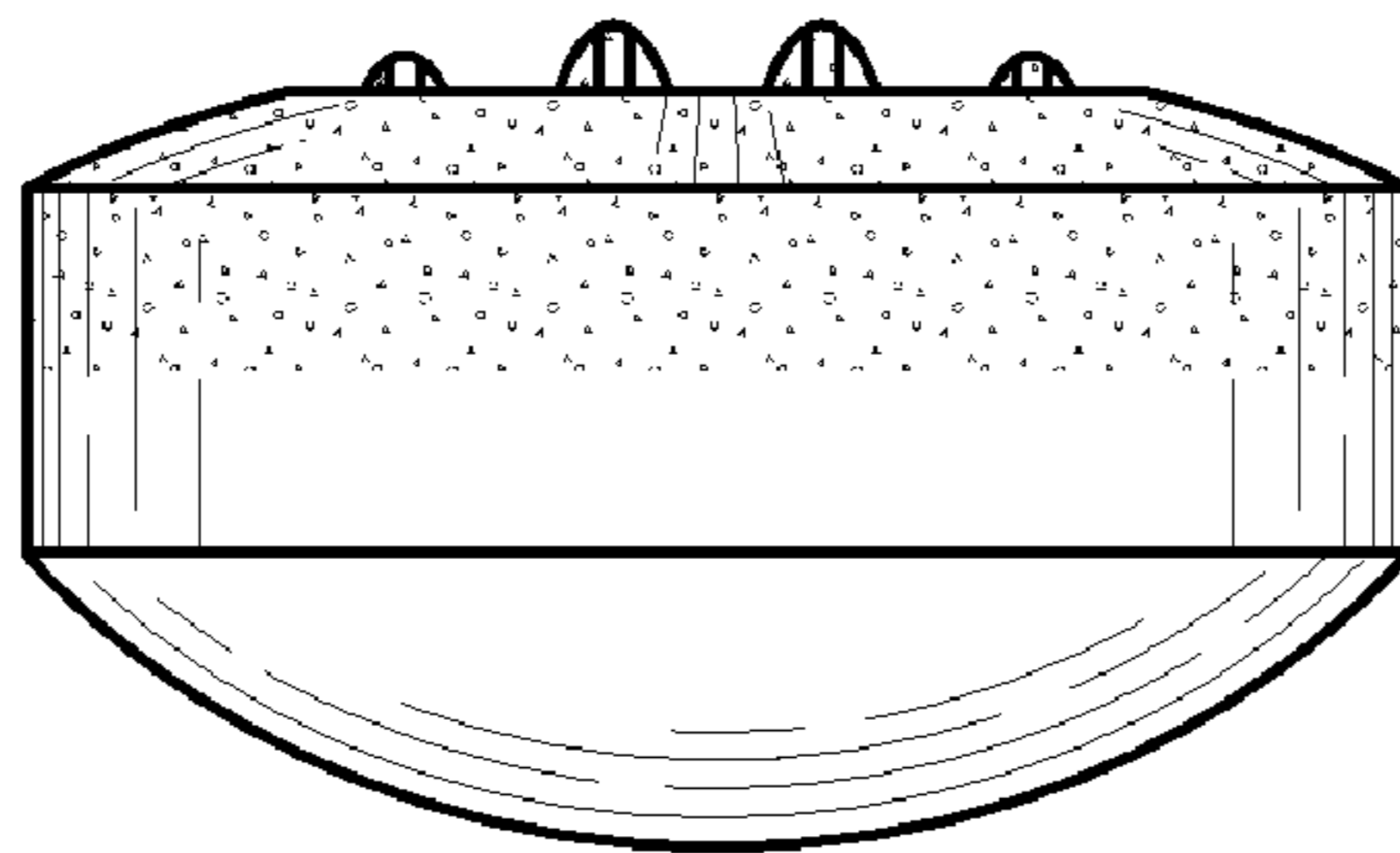


FIG. 3

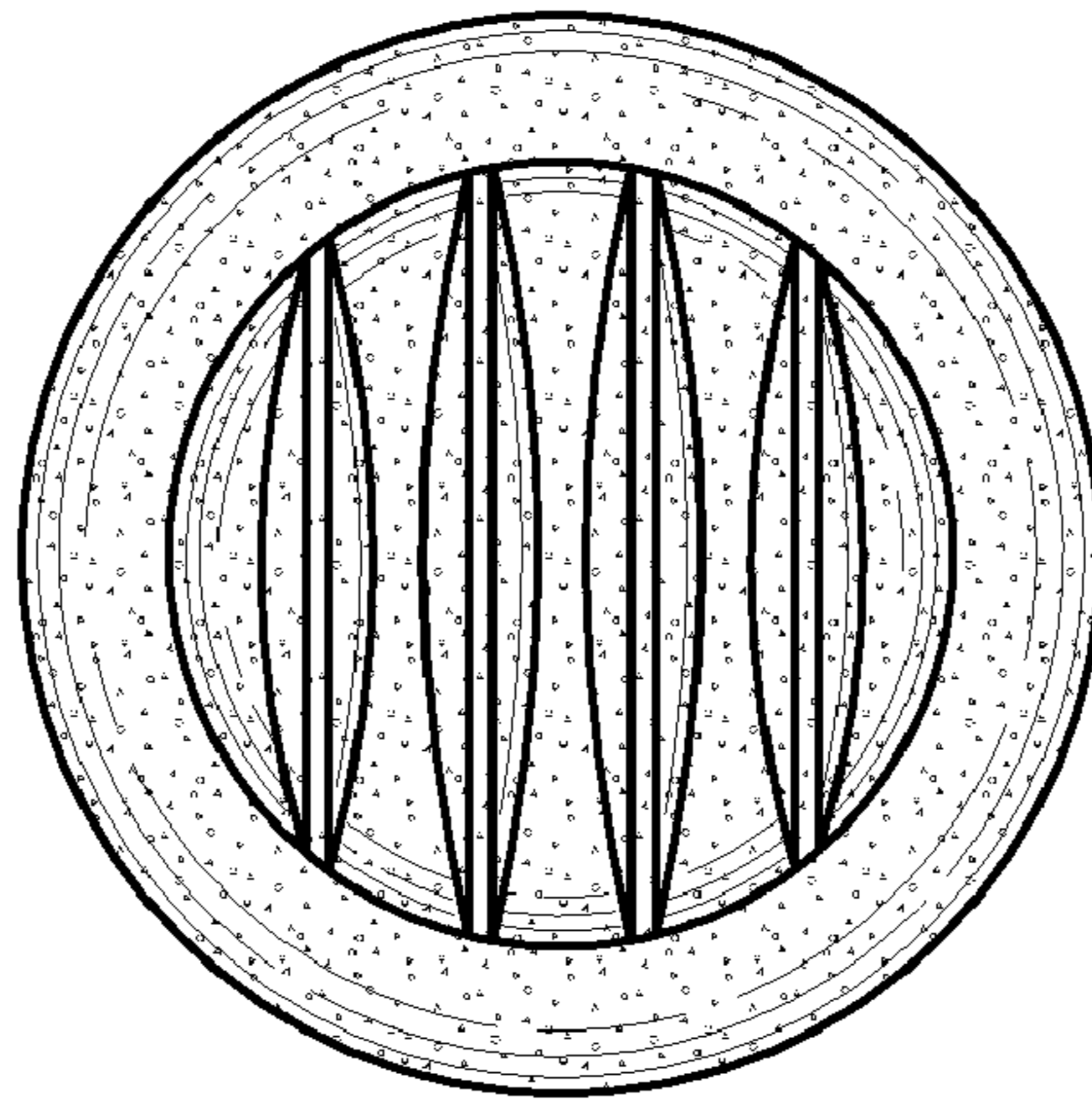


FIG. 4

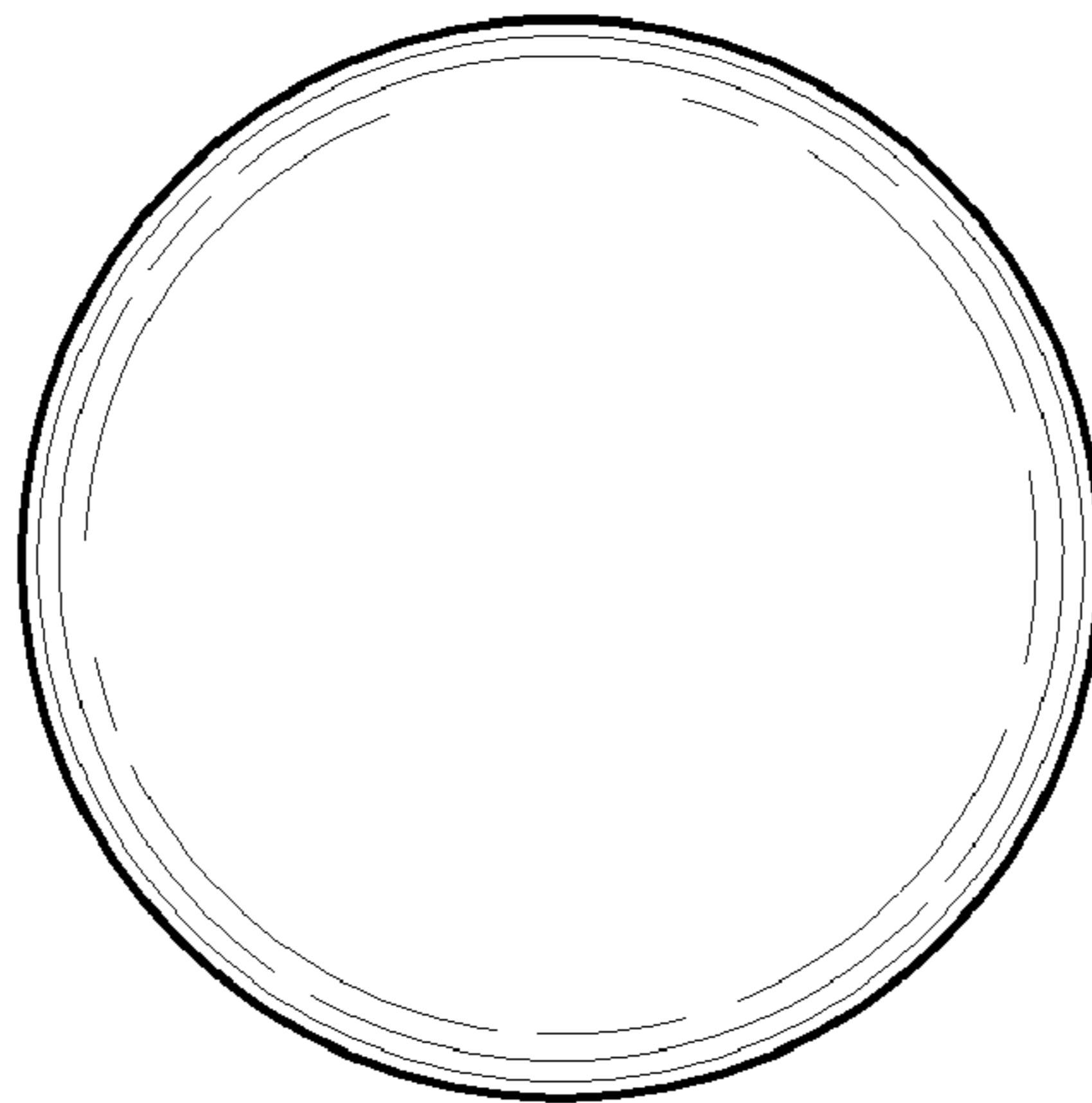


FIG. 5

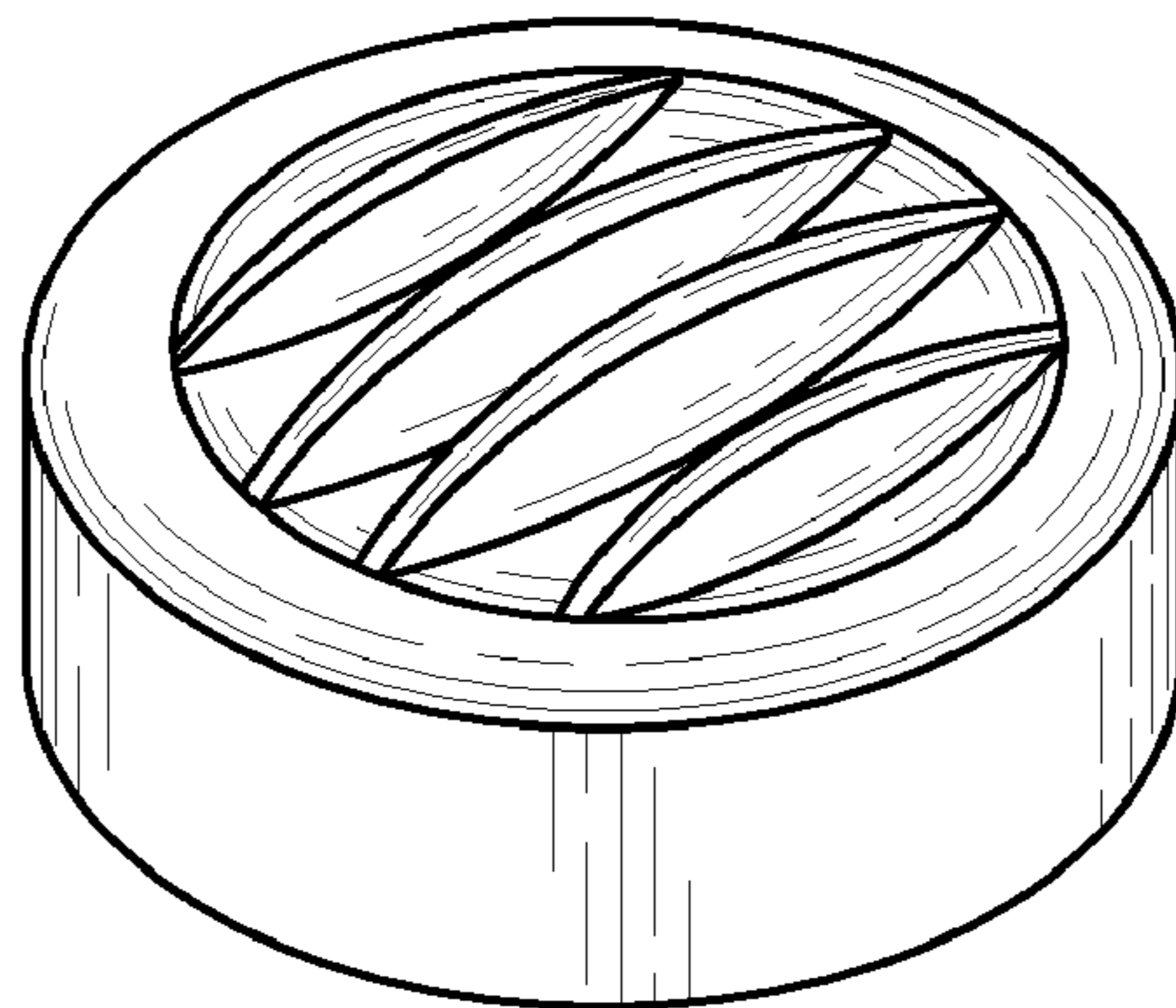


FIG. 6