



US00D613024S

(12) **United States Design Patent**
Yakushi

(10) **Patent No.:** **US D613,024 S**
(45) **Date of Patent:** **** Mar. 30, 2010**

(54) **FORKLIFT TRUCK**

FOREIGN PATENT DOCUMENTS

(75) Inventor: **Tadayuki Yakushi**, Kariya (JP)

JP	D1078082	7/2000
JP	D1080712	7/2000
JP	D1218299	9/2004
JP	D1218685	9/2004
JP	D1218686	9/2004
JP	D1269024	4/2006

(73) Assignee: **Kabushiki Kaisha Toyota Jidoshokki**,
Aichi-ken (JP)

(**) Term: **14 Years**

* cited by examiner

(21) Appl. No.: **29/312,069**

Primary Examiner—Cynthia E Ramirez

(22) Filed: **Sep. 29, 2008**

(74) *Attorney, Agent, or Firm*—Lock Lord Bissell & Liddell,
LLP

(30) **Foreign Application Priority Data**

Apr. 1, 2008	(JP)	2008-008436
Apr. 1, 2008	(JP)	2008-008440

(57) **CLAIM**

The ornamental design for a forklift truck, as shown and described.

(51) **LOC (9) Cl.** **12-05**

(52) **U.S. Cl.** **D34/34**

(58) **Field of Classification Search** D34/34;
187/222, 237; 414/572, 592, 631; 180/89.12,
180/89.13, 89.17

See application file for complete search history.

DESCRIPTION

FIG. 1 is a front perspective view of a forklift truck showing my new design;

FIG. 2 is a rear perspective view thereof;

FIG. 3 is a right side view thereof;

FIG. 4 is a left side view thereof;

FIG. 5 is a top plan view thereof;

FIG. 6 is a front view thereof; and,

FIG. 7 is a rear view thereof.

The bottom plan view is not included since the design is for the heavy article. The broken lines are shown for illustrative purposes only and form no part of the claimed design.

(56) **References Cited**

U.S. PATENT DOCUMENTS

D452,598 S *	12/2001	Sato	D34/34
D538,004 S *	3/2007	Kouyama et al.	D34/34
D575,923 S *	8/2008	Stark	D34/34
D579,620 S *	10/2008	Mori et al.	D34/34
D579,623 S *	10/2008	Kim	D34/34
D586,974 S *	2/2009	Mori et al.	D34/34
D587,425 S *	2/2009	Mori et al.	D34/34

1 Claim, 7 Drawing Sheets

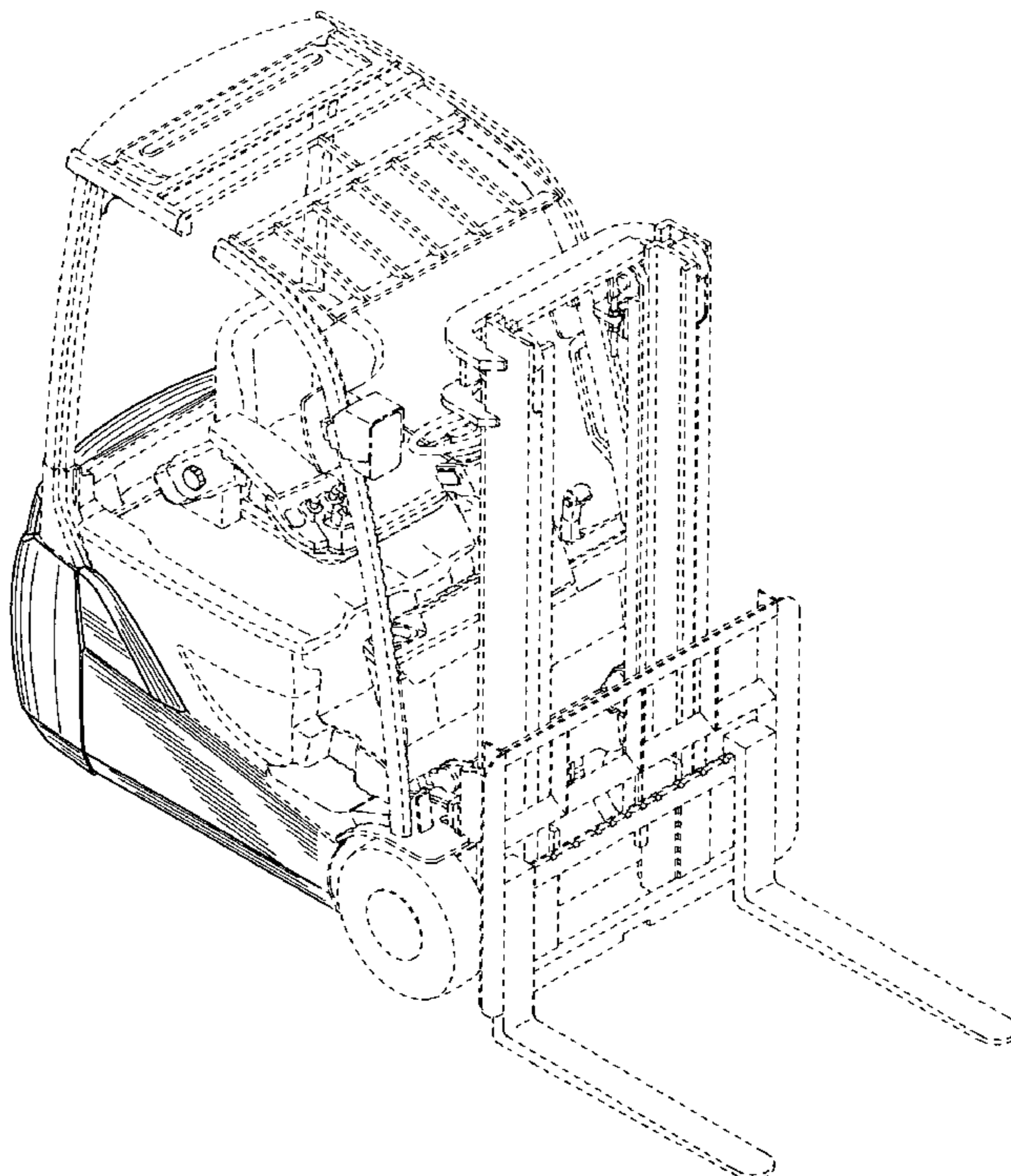


FIG. 1

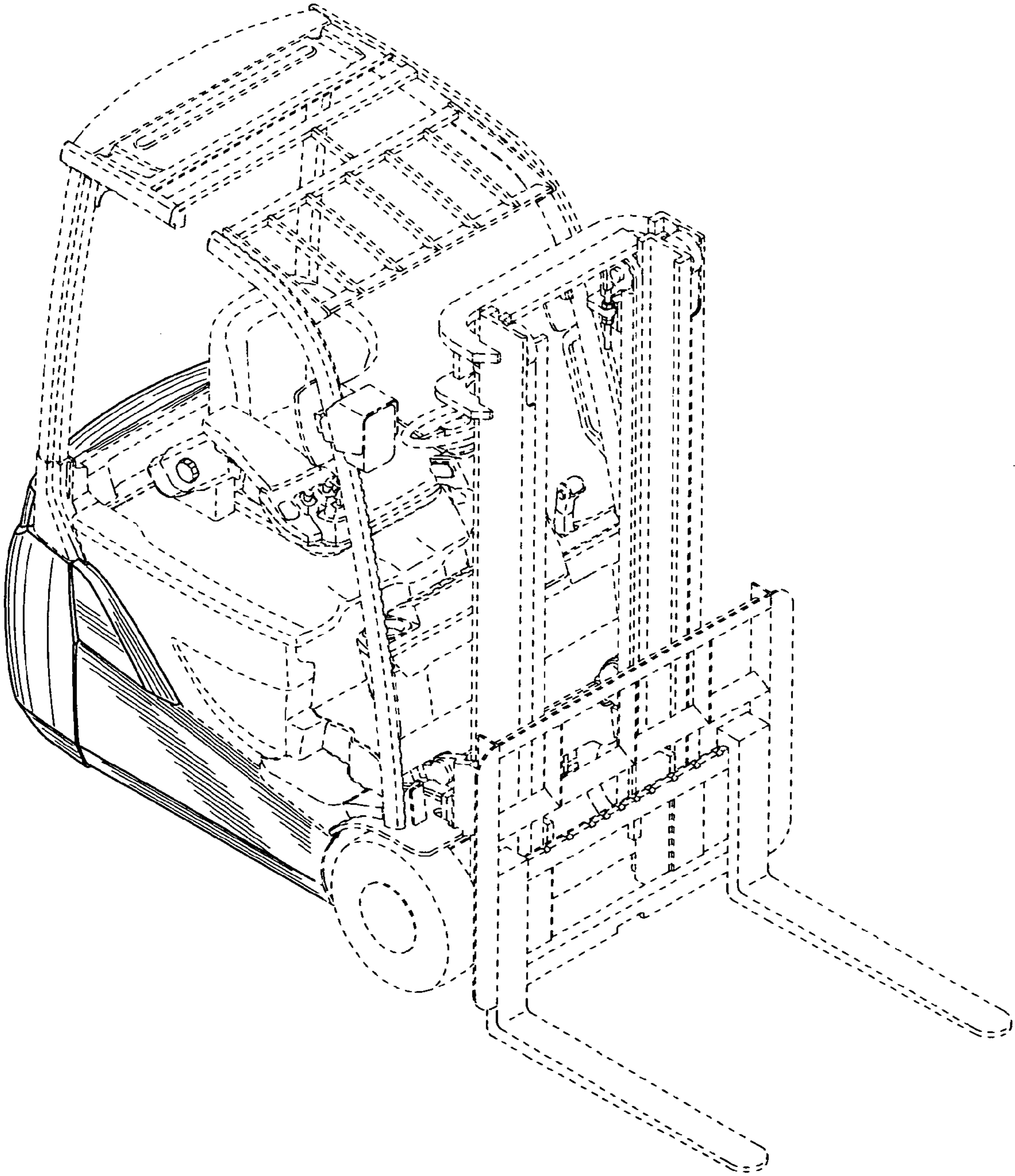


FIG. 2

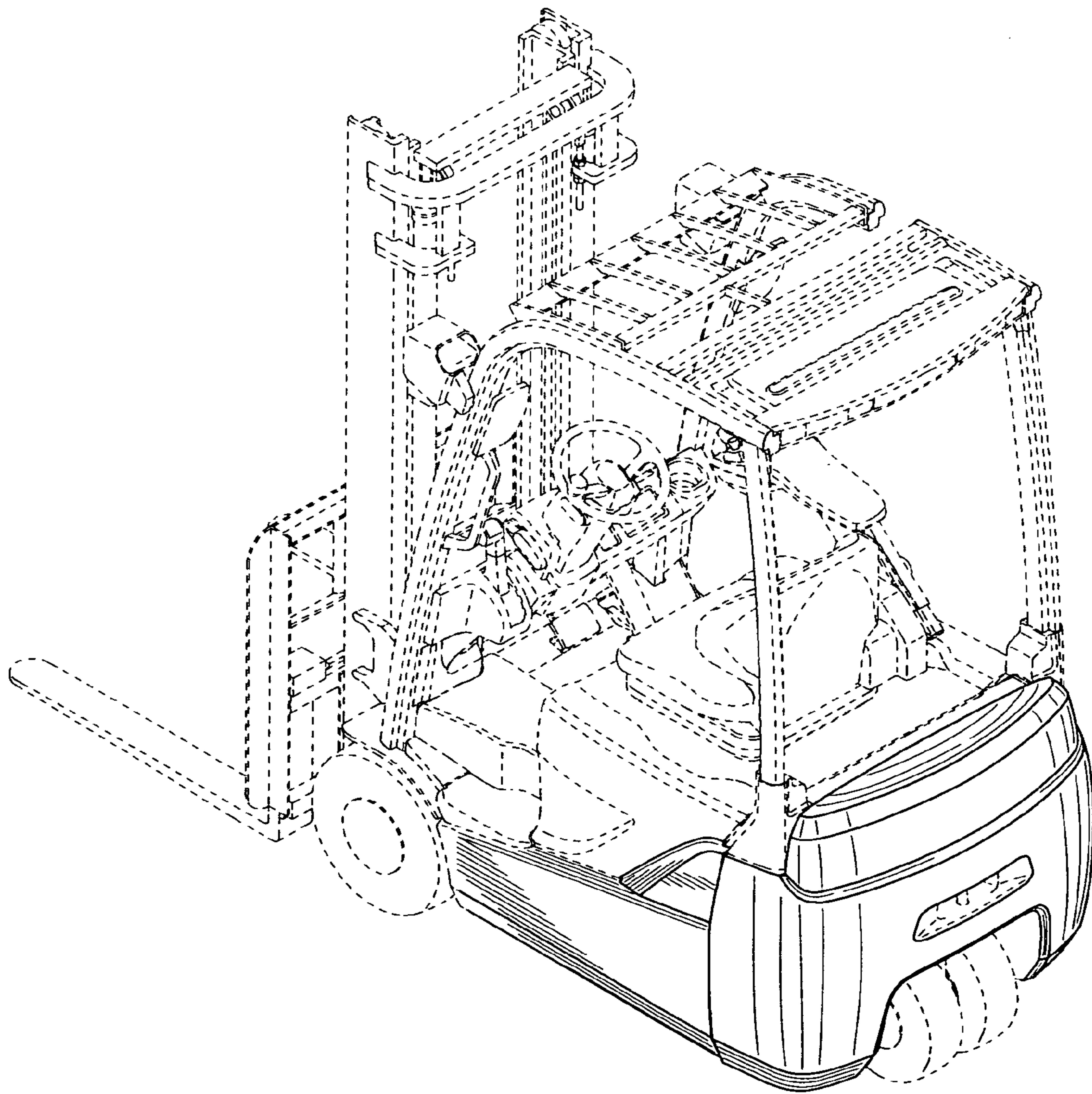


FIG. 3

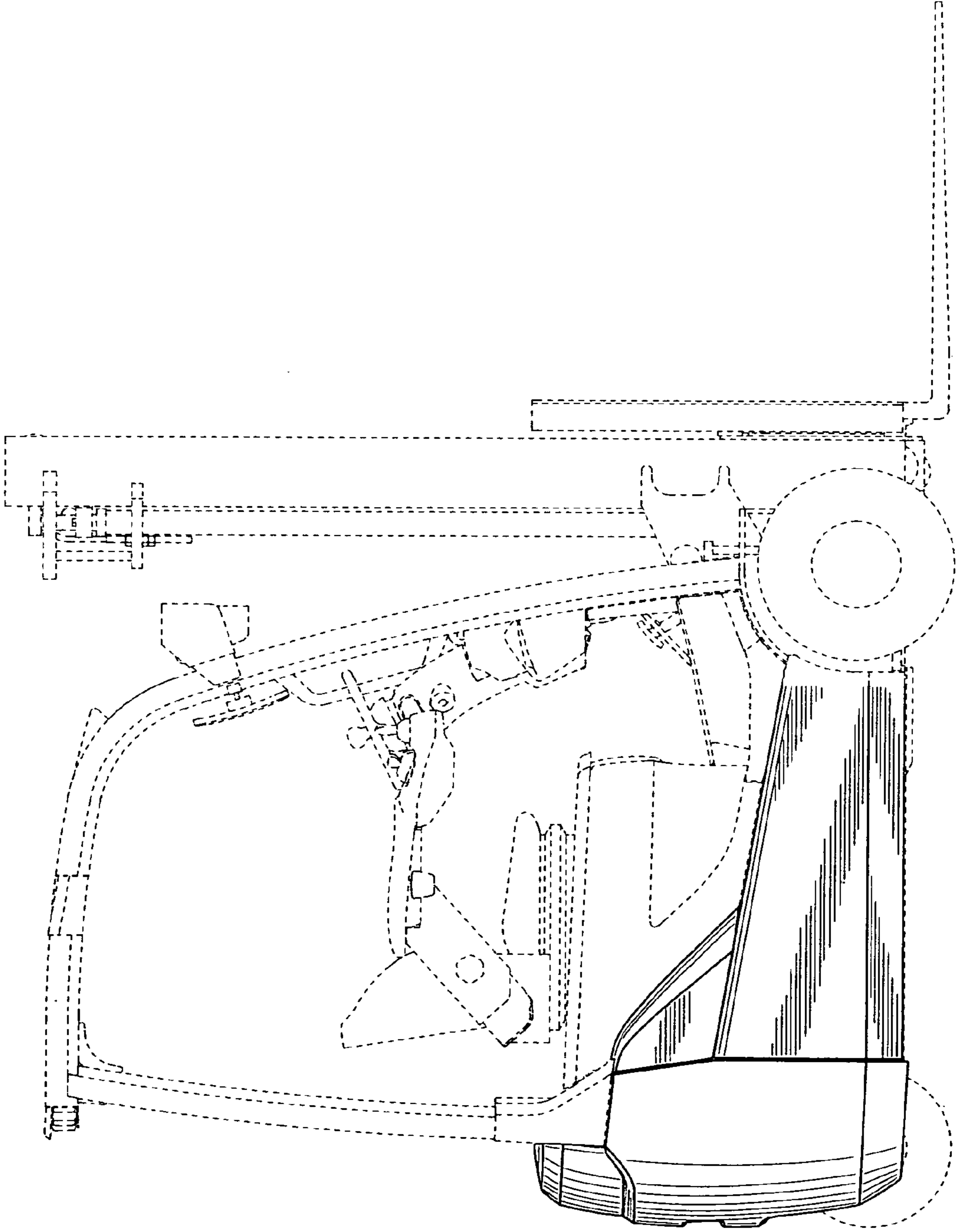


FIG. 4

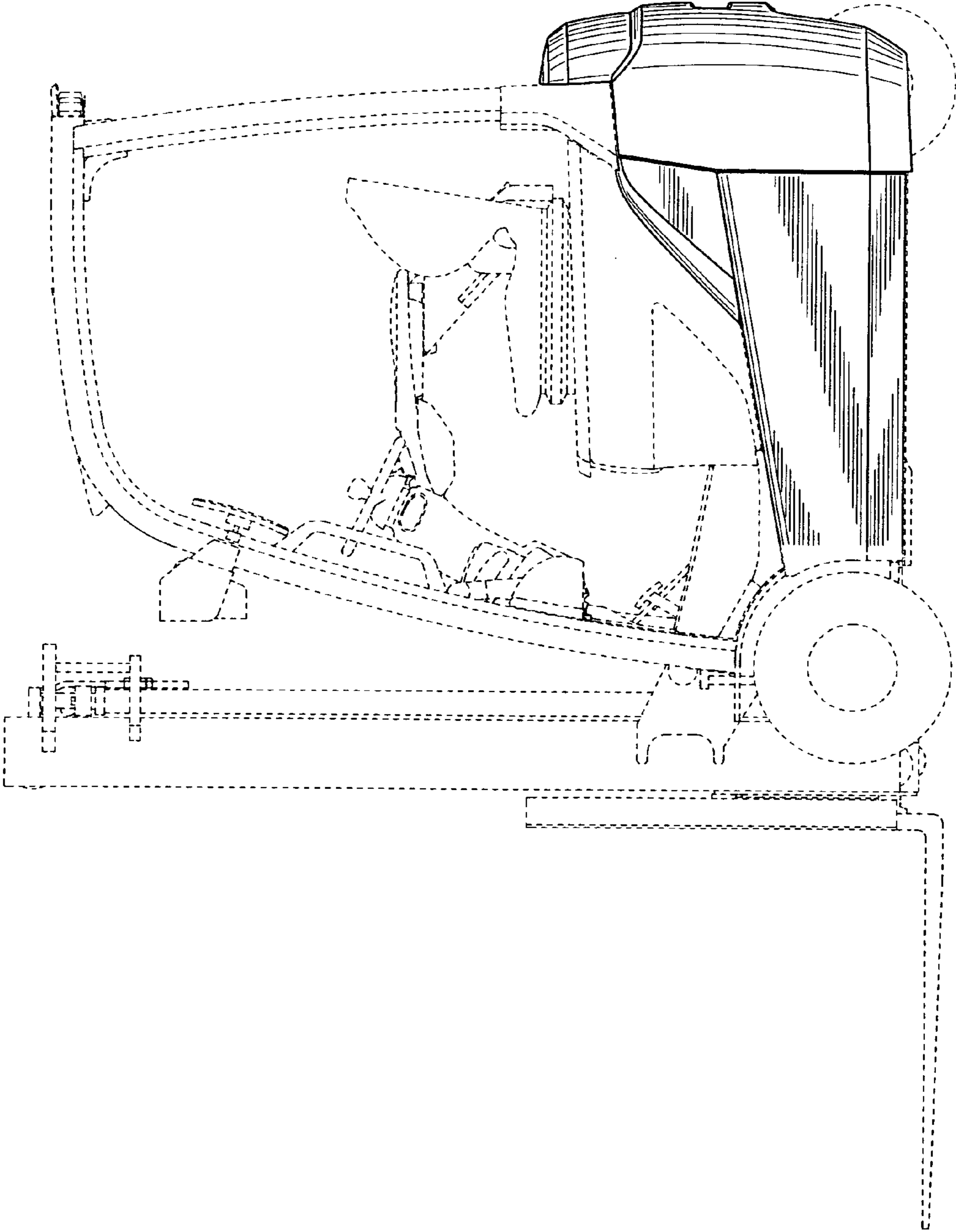


FIG. 5

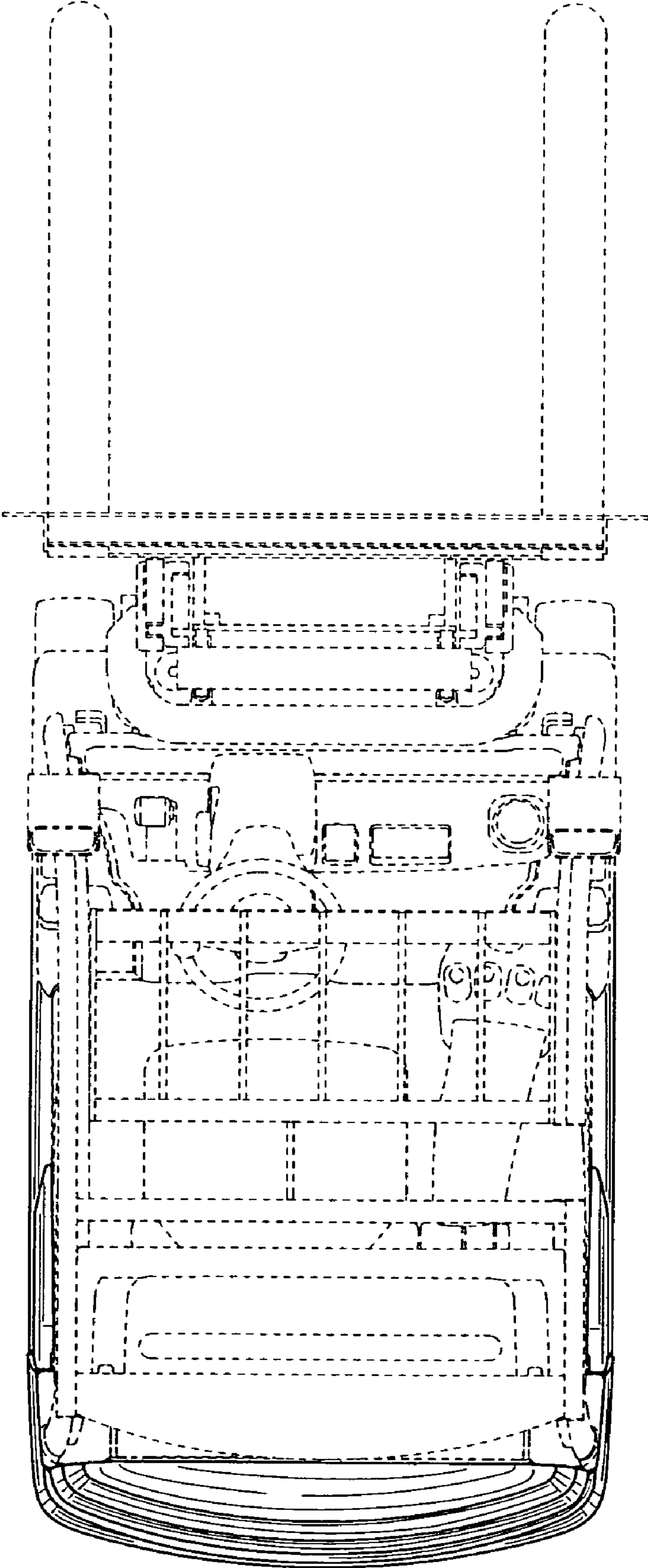


FIG. 6

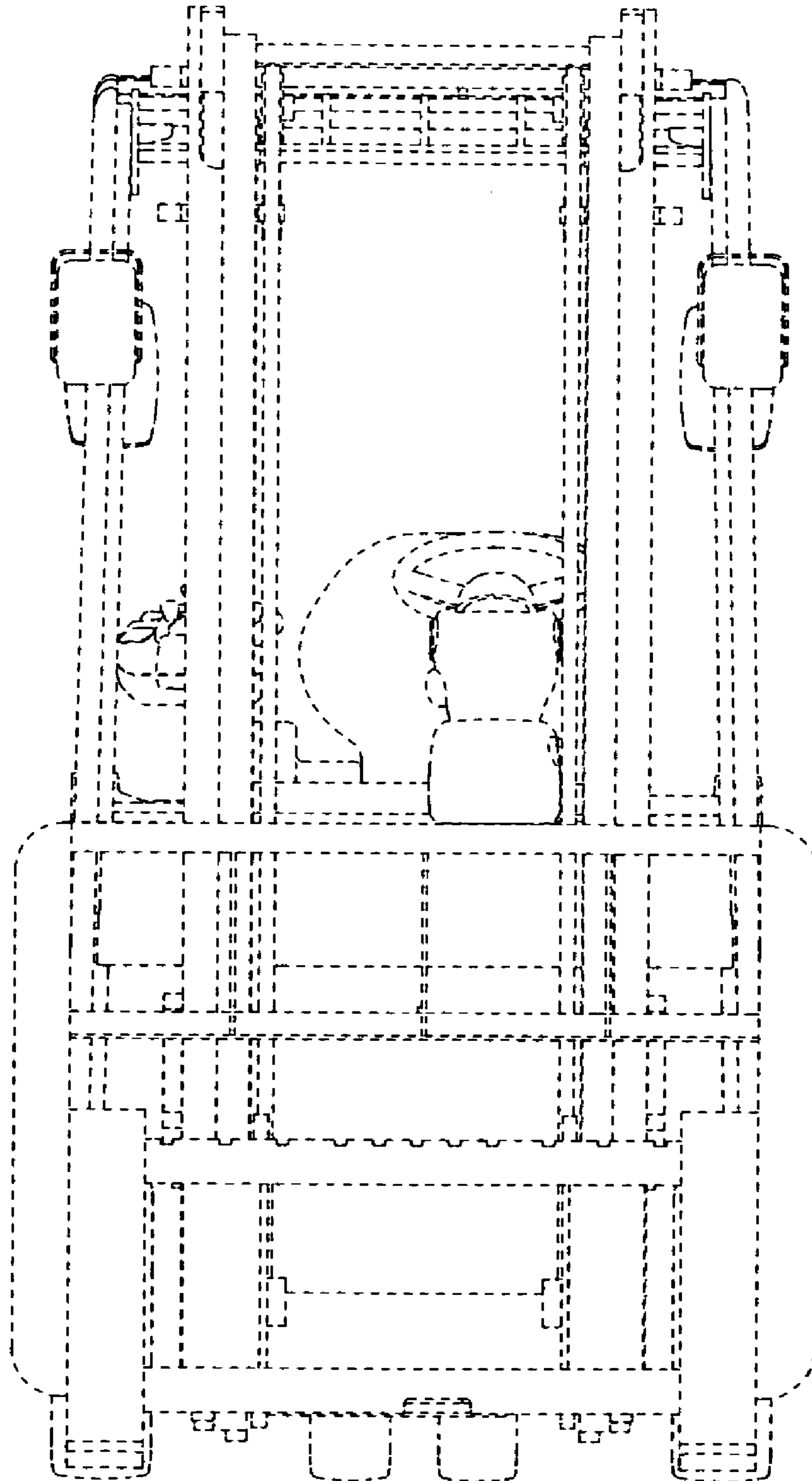


FIG. 7

