



US00D613023S

(12) **United States Design Patent**
Fetzek

(10) **Patent No.:** **US D613,023 S**
(45) **Date of Patent:** **** Mar. 30, 2010**

(54) **LEVELING DEVICE**

(57) **CLAIM**

(76) Inventor: **Cathy M Fetzek**, 18 Lorna Dr., Little Rock, AR (US) 72205

The ornamental design for a leveling device, as shown and described.

(**) Term: **14 Years**

DESCRIPTION

(21) Appl. No.: **29/340,493**

FIG. 1 depicts an upper perspective view of the leveling device, in a compact configuration.

(22) Filed: **Jul. 20, 2009**

FIG. 2 depicts a top plan view of the leveling device of FIG. 1.

(51) **LOC (9) Cl.** **12-05**

FIG. 3 depicts a bottom plan view of the leveling device.

(52) **U.S. Cl.** **D34/32; D34/31**

FIG. 4 depicts a lower perspective view of the leveling device.

(58) **Field of Classification Search** D34/31,
D34/32, 33; 254/8 B, 84, 11, 93 H, DIG. 3,
254/126, 22, 88; D12/217

FIG. 5 depicts a first side elevation view of the leveling device.

See application file for complete search history.

FIG. 6 depicts a second side elevation view of the leveling device.

(56) **References Cited**

FIG. 7 depicts a front side elevation view of the leveling device.

U.S. PATENT DOCUMENTS

FIG. 8 depicts a rear side elevation view of the leveling device.

D224,912 S *	10/1972	Bennett	D34/32
D231,092 S *	4/1974	Andover	D34/32
D254,364 S *	3/1980	Moll	D34/32
4,461,456 A *	7/1984	Munna	254/88
4,899,987 A *	2/1990	Craig	254/122
D307,814 S *	5/1990	Kawana	D34/31
D343,488 S *	1/1994	Fletcher	D34/28
D344,835 S *	3/1994	MacEachern	D34/31
D346,254 S *	4/1994	Novak	D34/28
D346,255 S *	4/1994	Francis et al.	D34/31
5,894,618 A *	4/1999	Jacobsen et al.	14/69.5
D416,369 S *	11/1999	Johansson	D34/28
D541,504 S *	4/2007	Landsberger et al.	D34/31
D592,375 S *	5/2009	Jensen et al.	D34/28
D593,724 S *	6/2009	Heinz	D34/32

FIG. 9 depicts an upper perspective view of the leveling device, in an extended configuration.

FIG. 10 depicts a top plan view of the leveling device of FIG. 9.

FIG. 11 depicts a bottom plan view of the leveling device of FIG. 9.

FIG. 12 depicts a lower perspective view of the leveling device of FIG. 9.

FIG. 13 depicts a first side elevation view of the leveling device of FIG. 9.

FIG. 14 depicts a second side elevation view of the leveling device of FIG. 9.

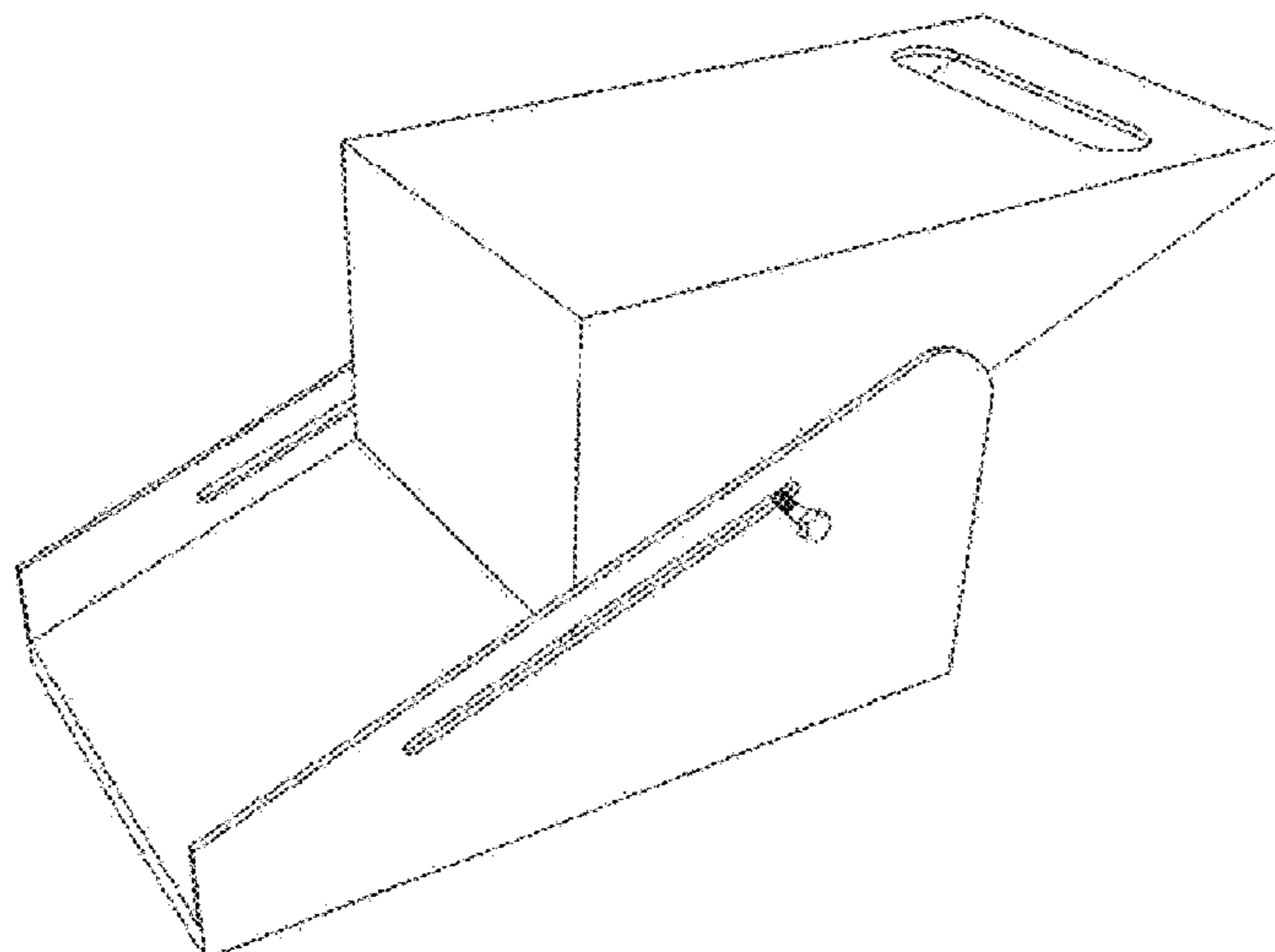
FIG. 15 depicts a front side elevation view of the leveling device of FIG. 9; and,

FIG. 16 depicts a rear side elevation view of the leveling device of FIG. 9.

* cited by examiner

Primary Examiner—Cynthia E Ramirez
(74) *Attorney, Agent, or Firm*—Joe D. Calhoun; Rashauna A. Norment

1 Claim, 16 Drawing Sheets



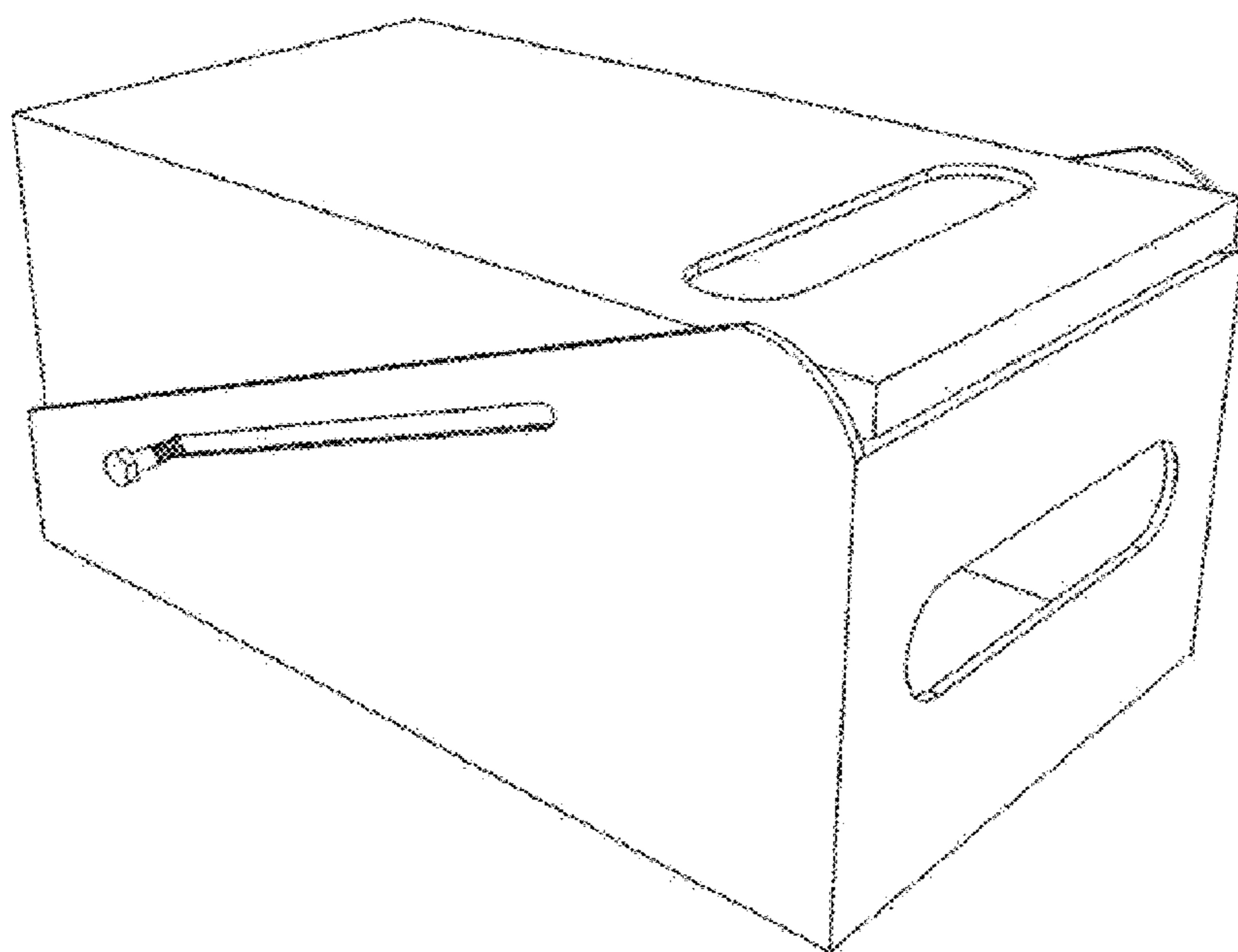


Figure 1

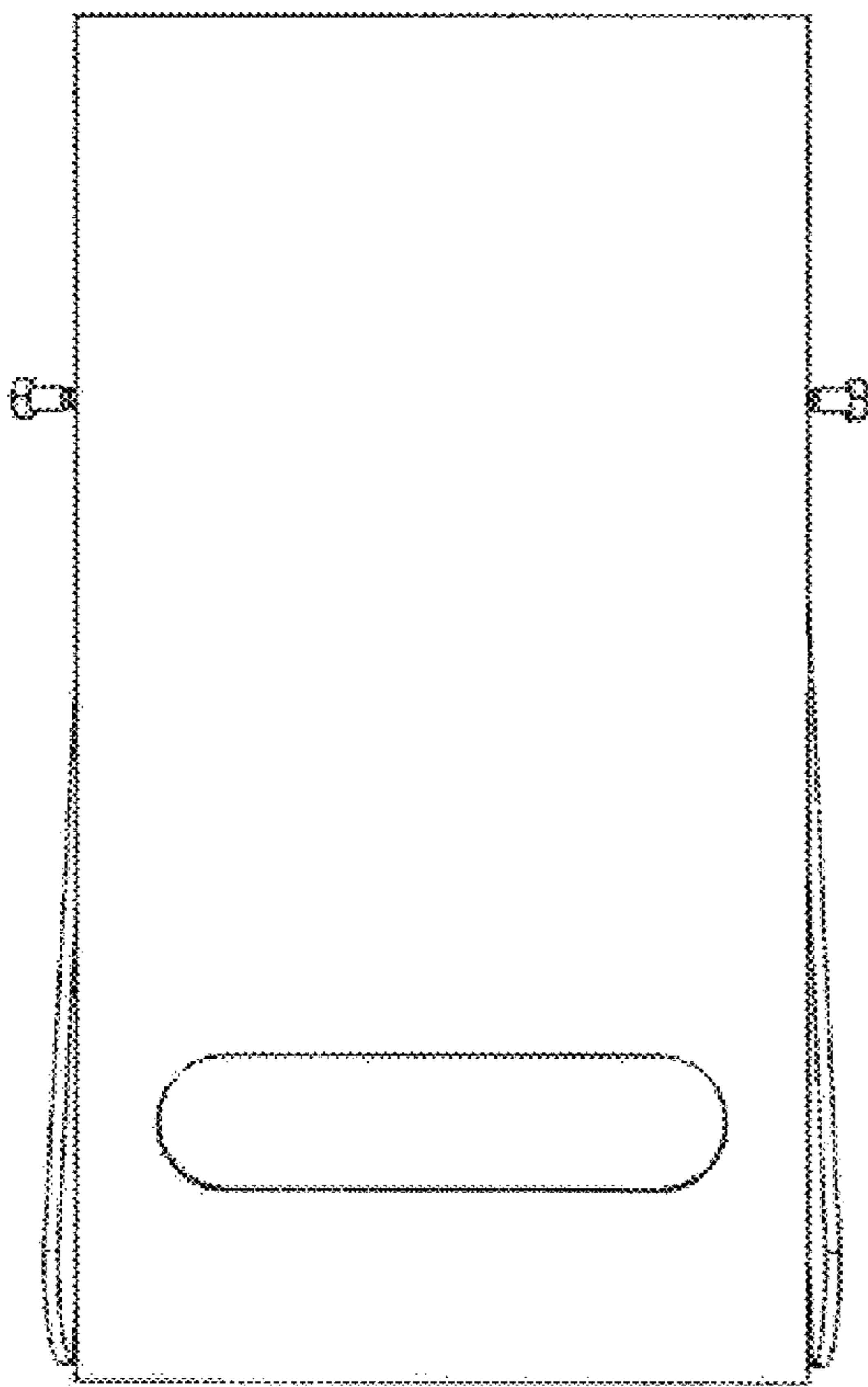


Figure 2

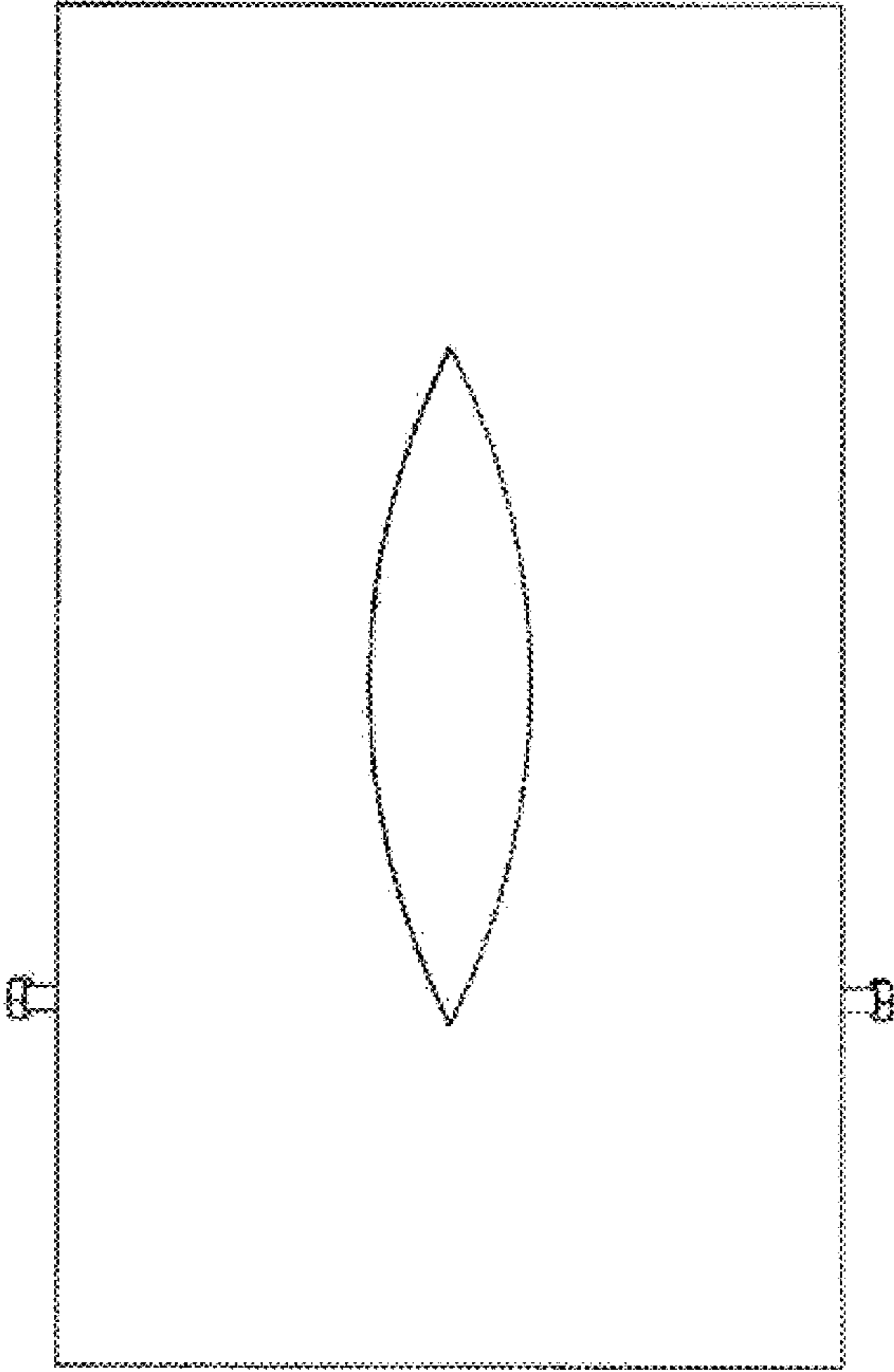


Figure 3

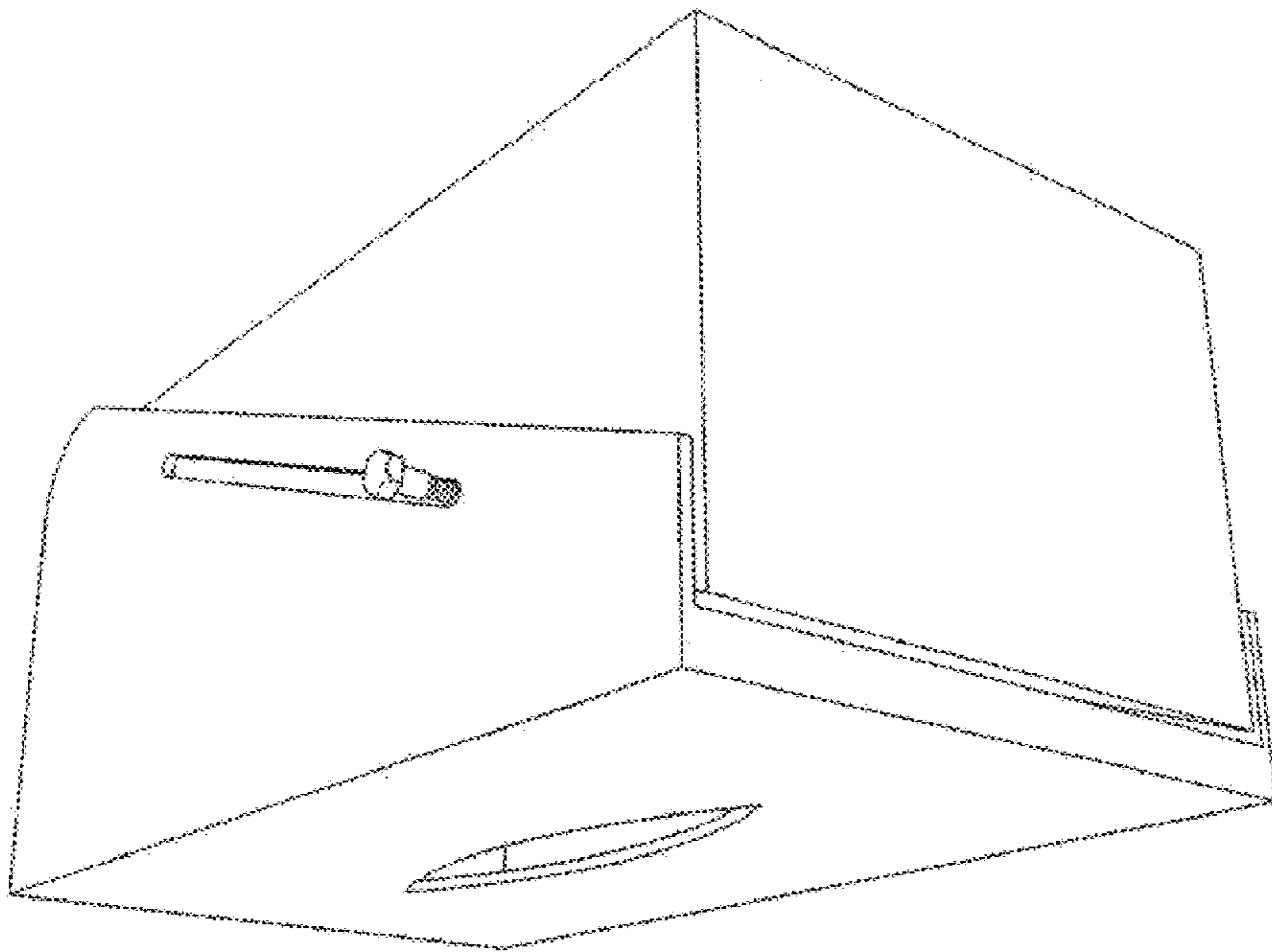


Figure 4

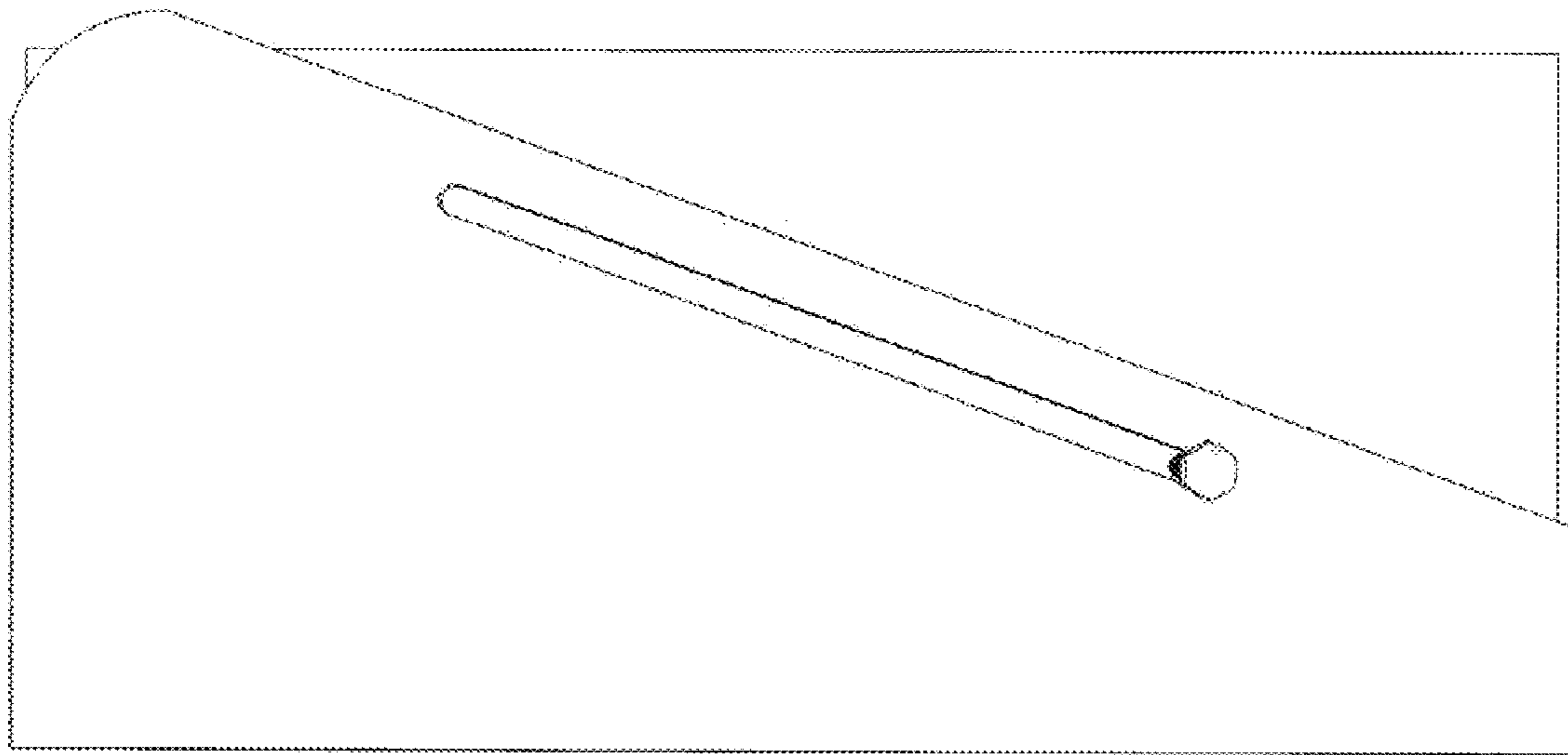


Figure 5

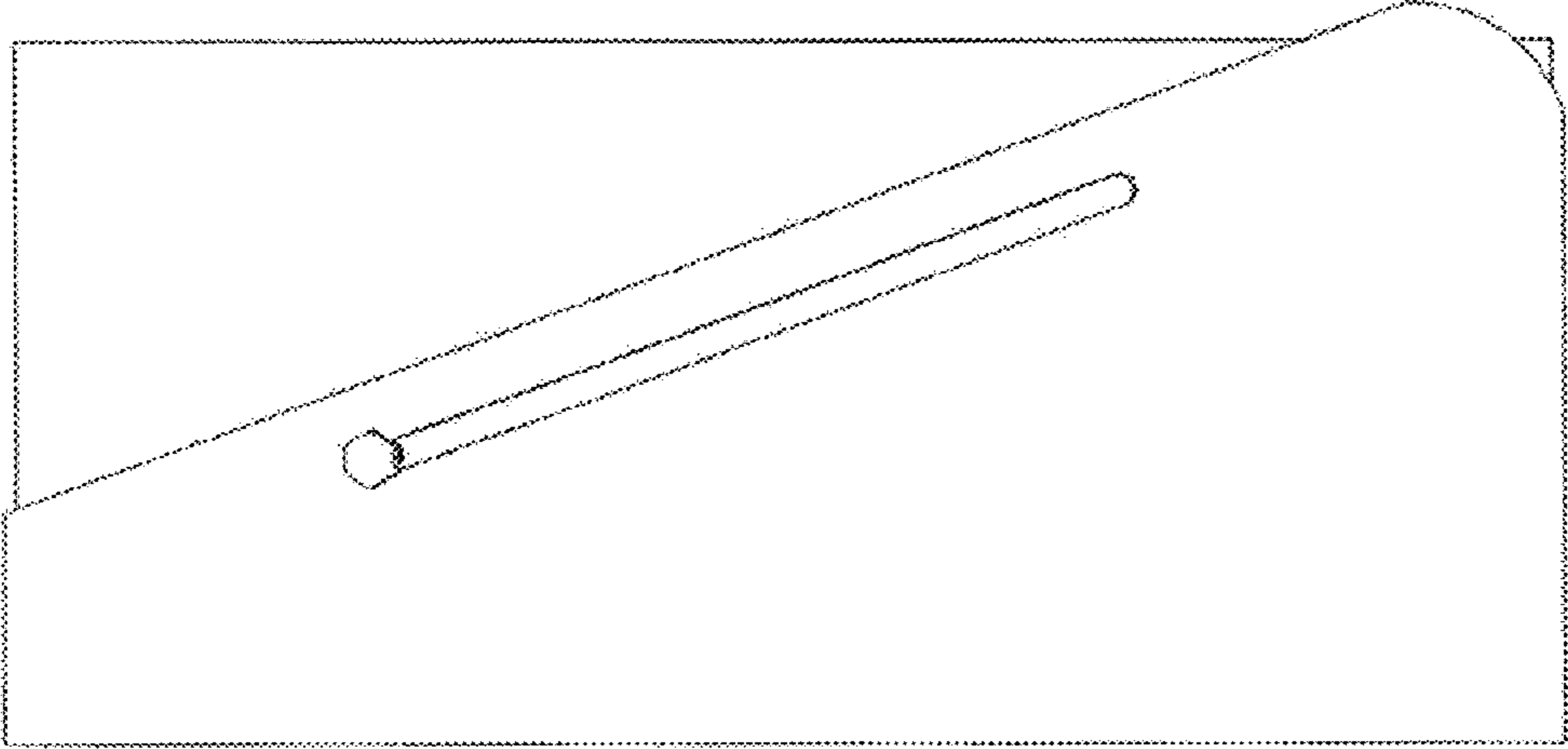


Figure 6

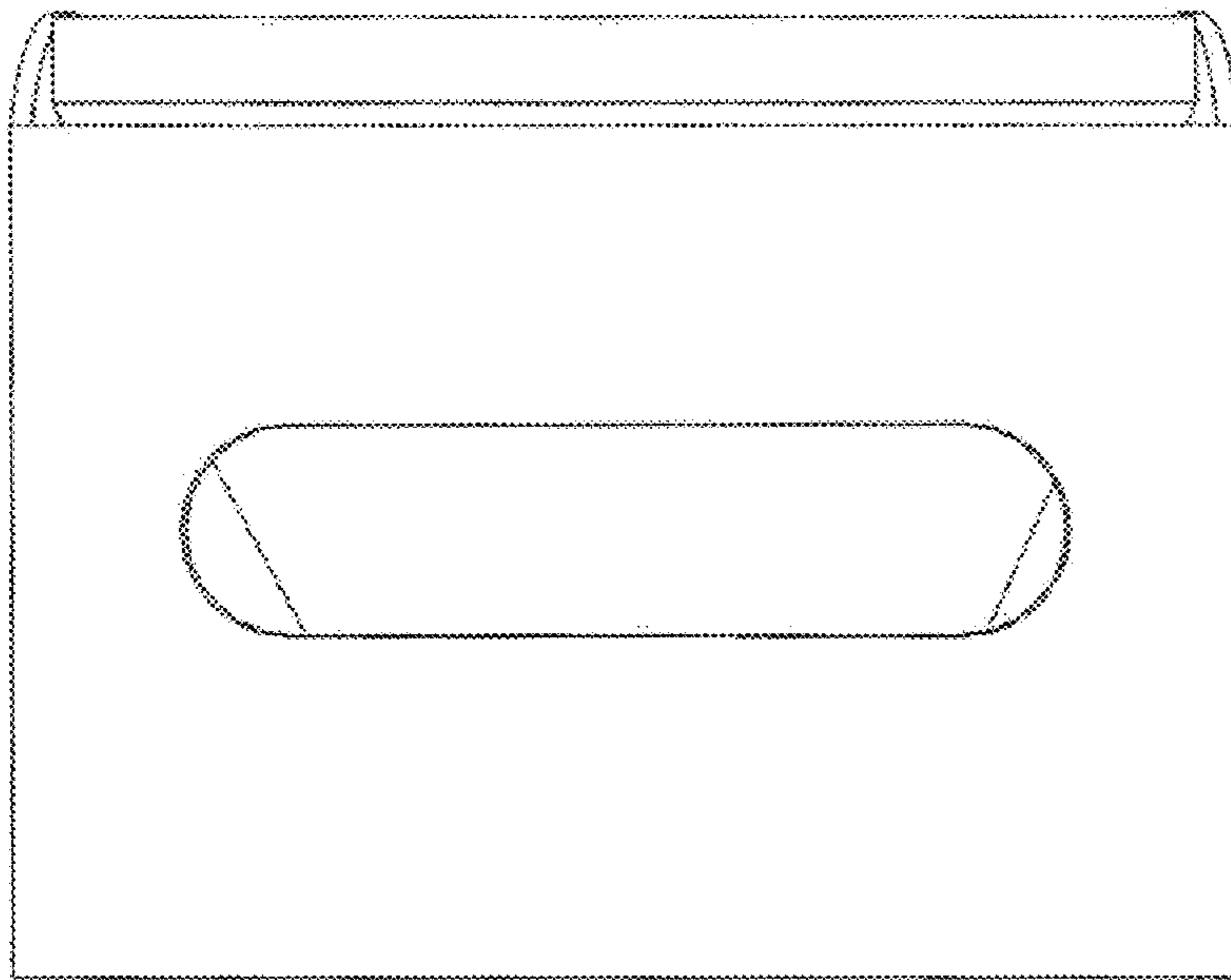


Figure 7

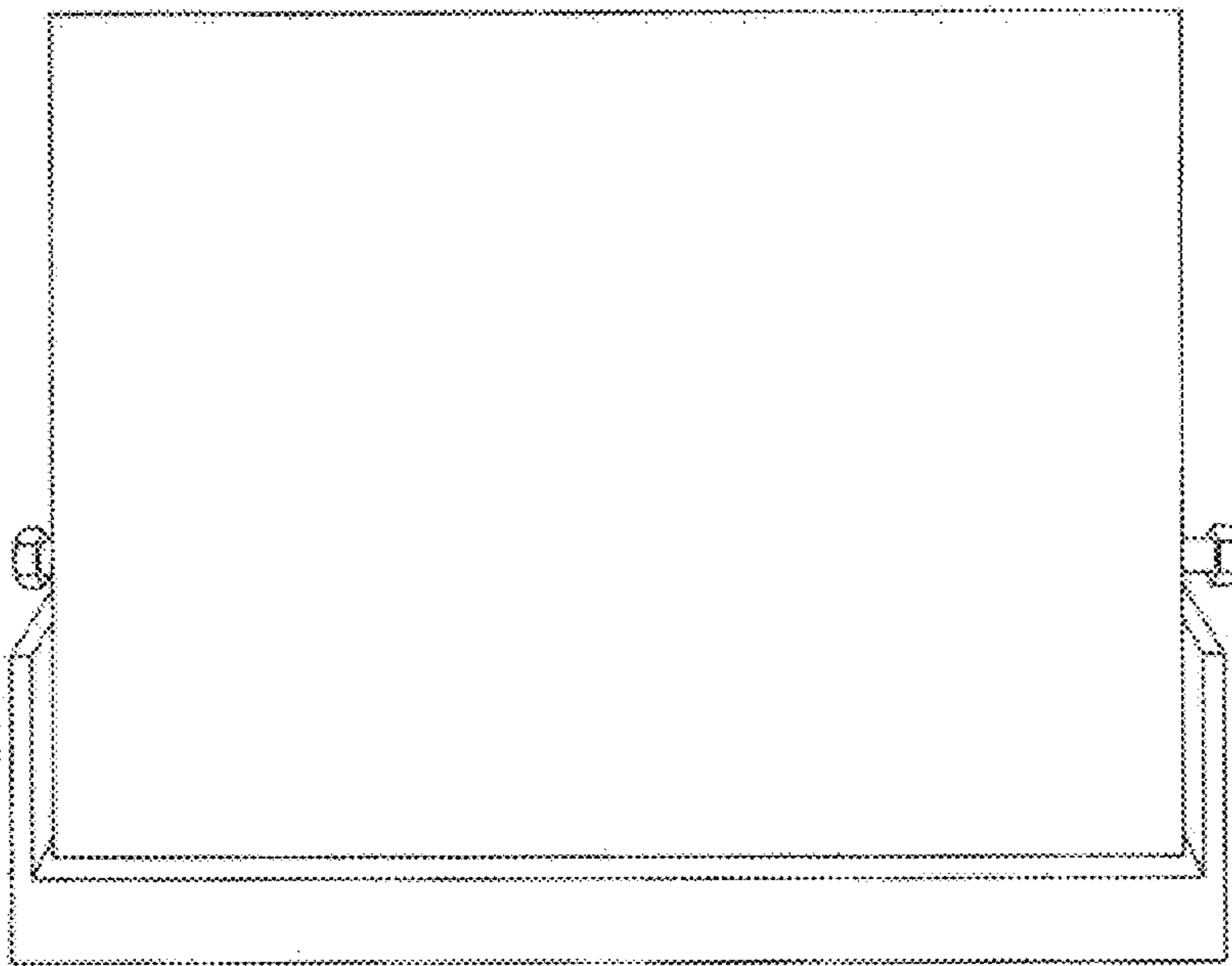


Figure 8

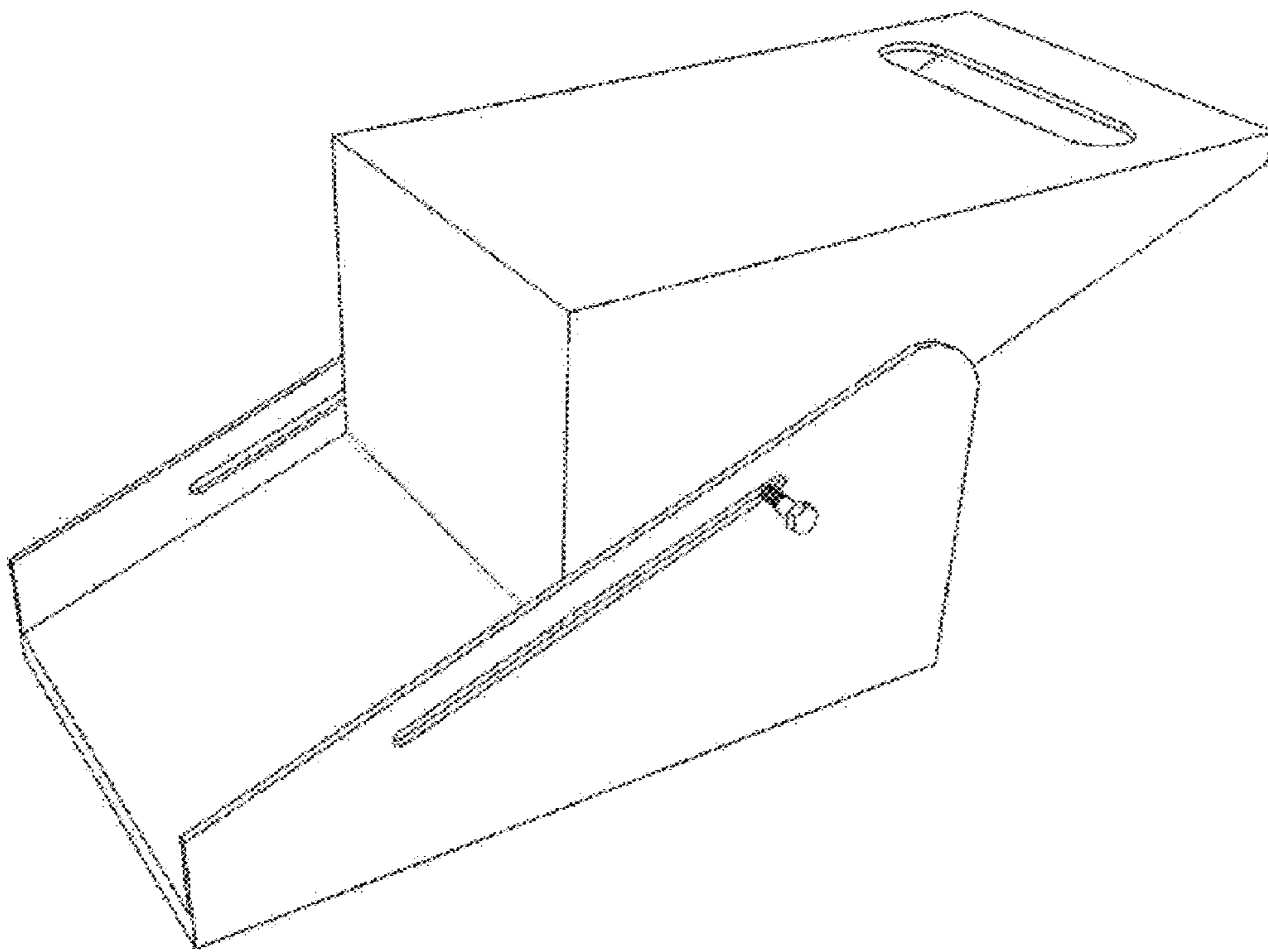


Figure 9

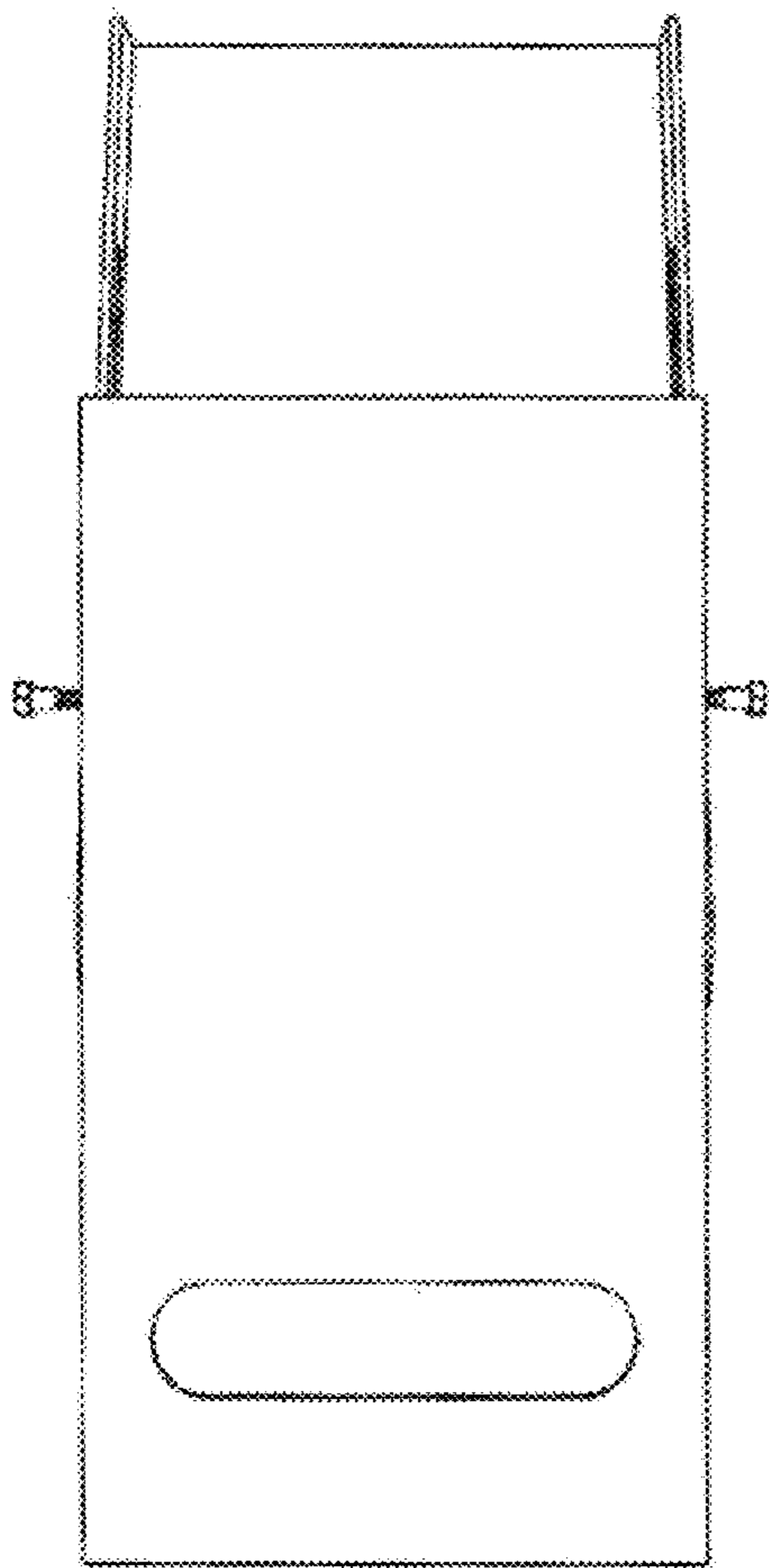


Figure 10

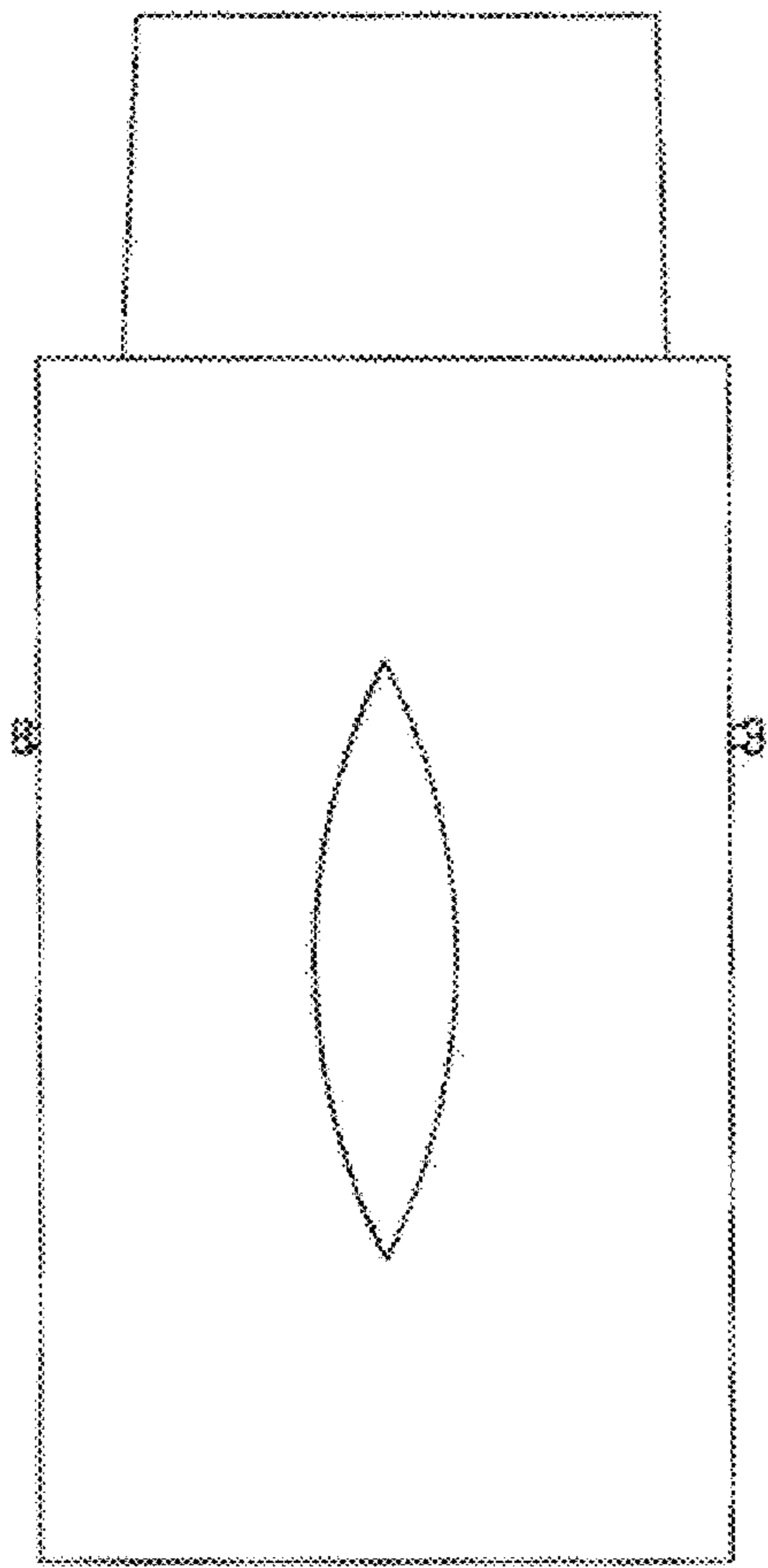


Figure 11

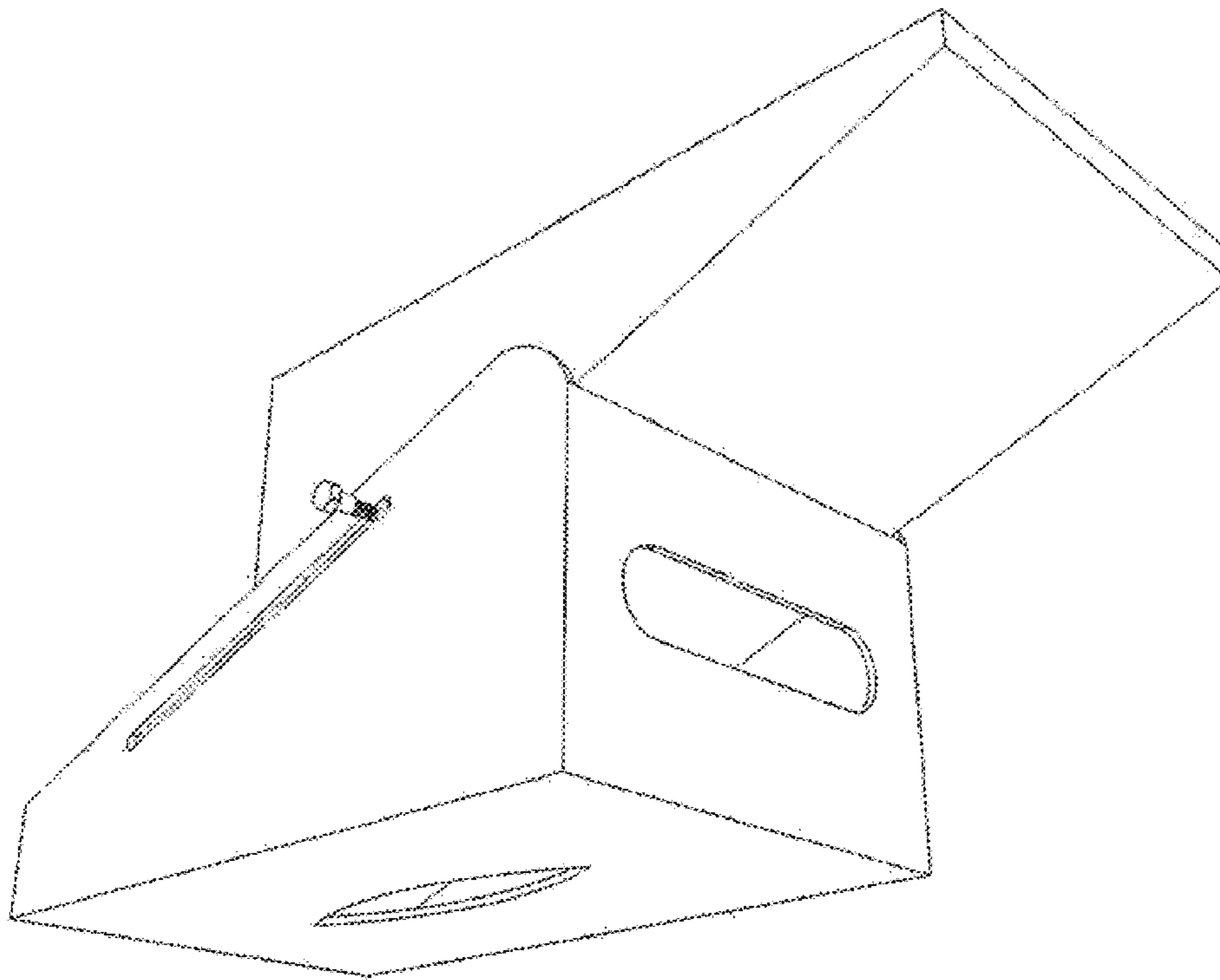


Figure 12

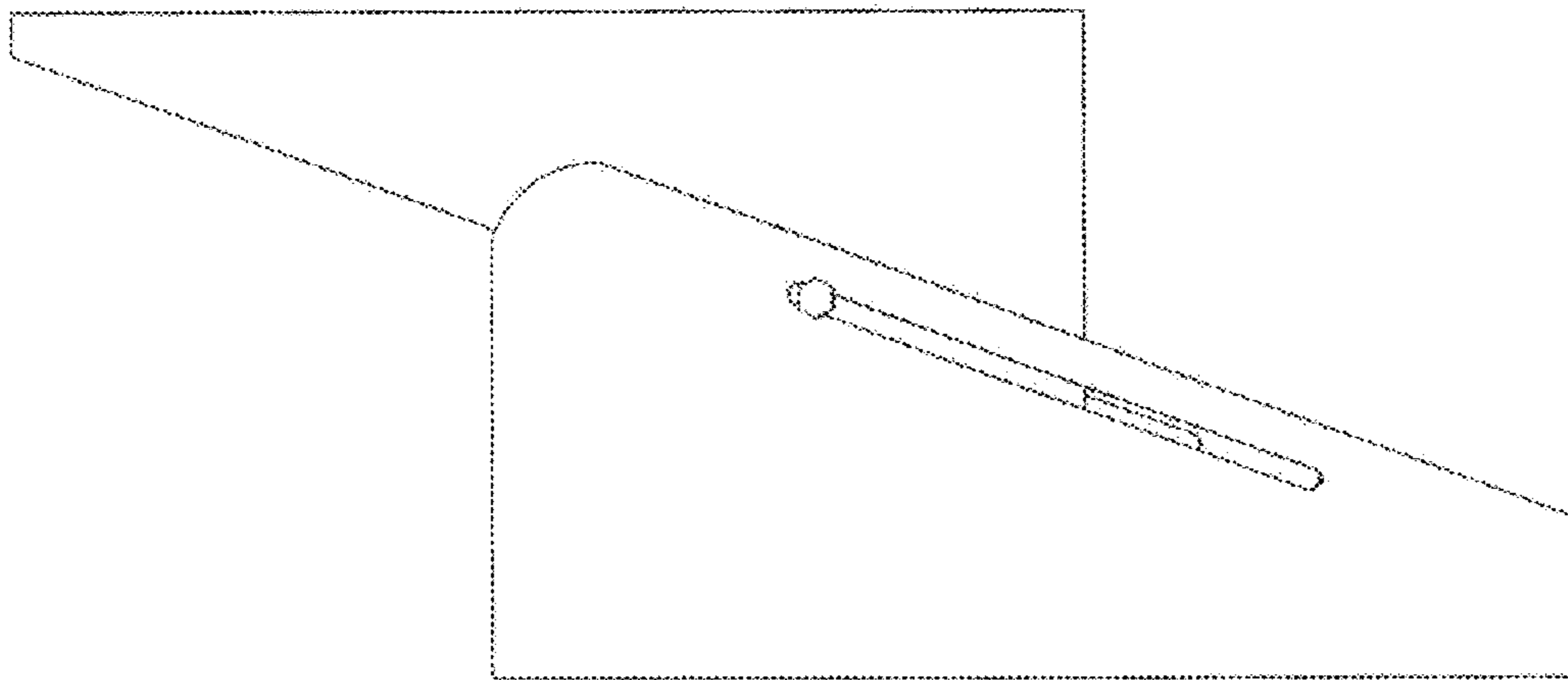


Figure 13

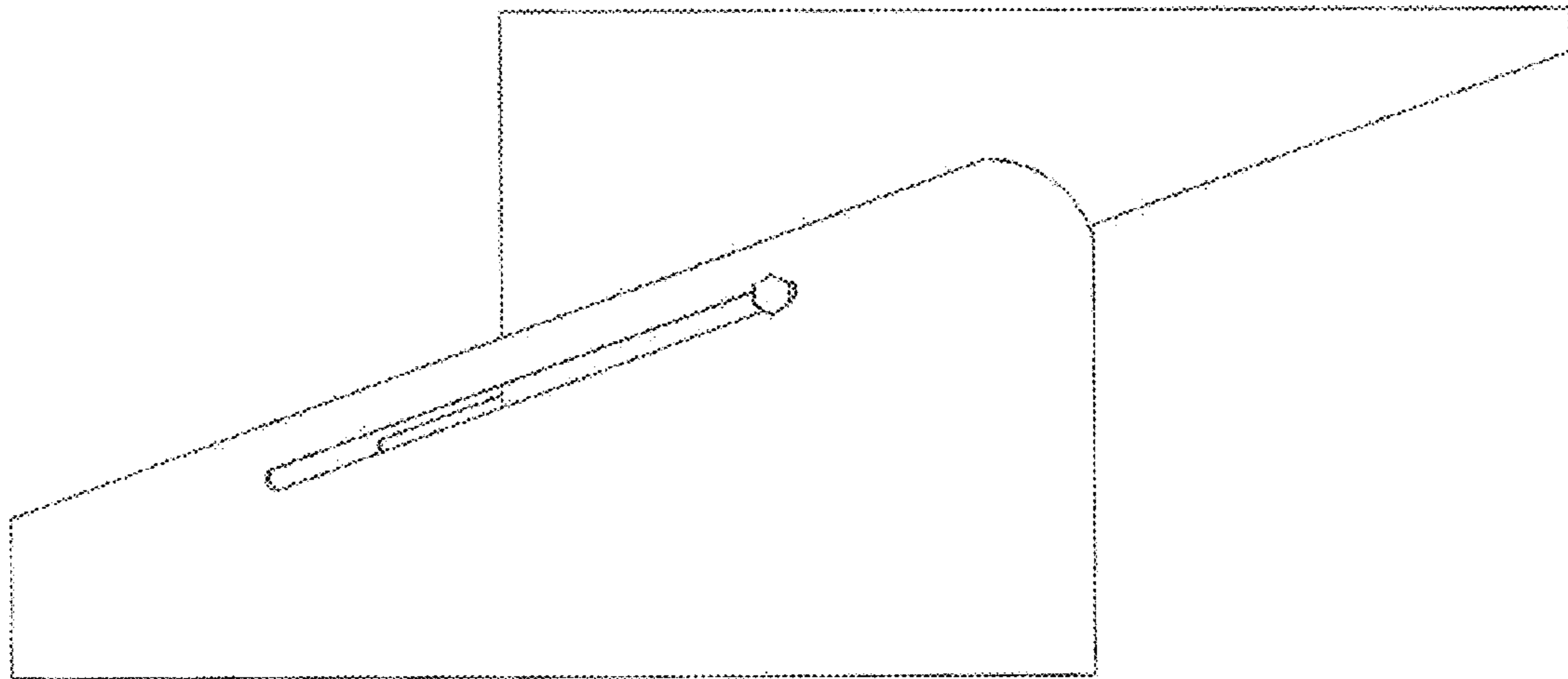


Figure 14

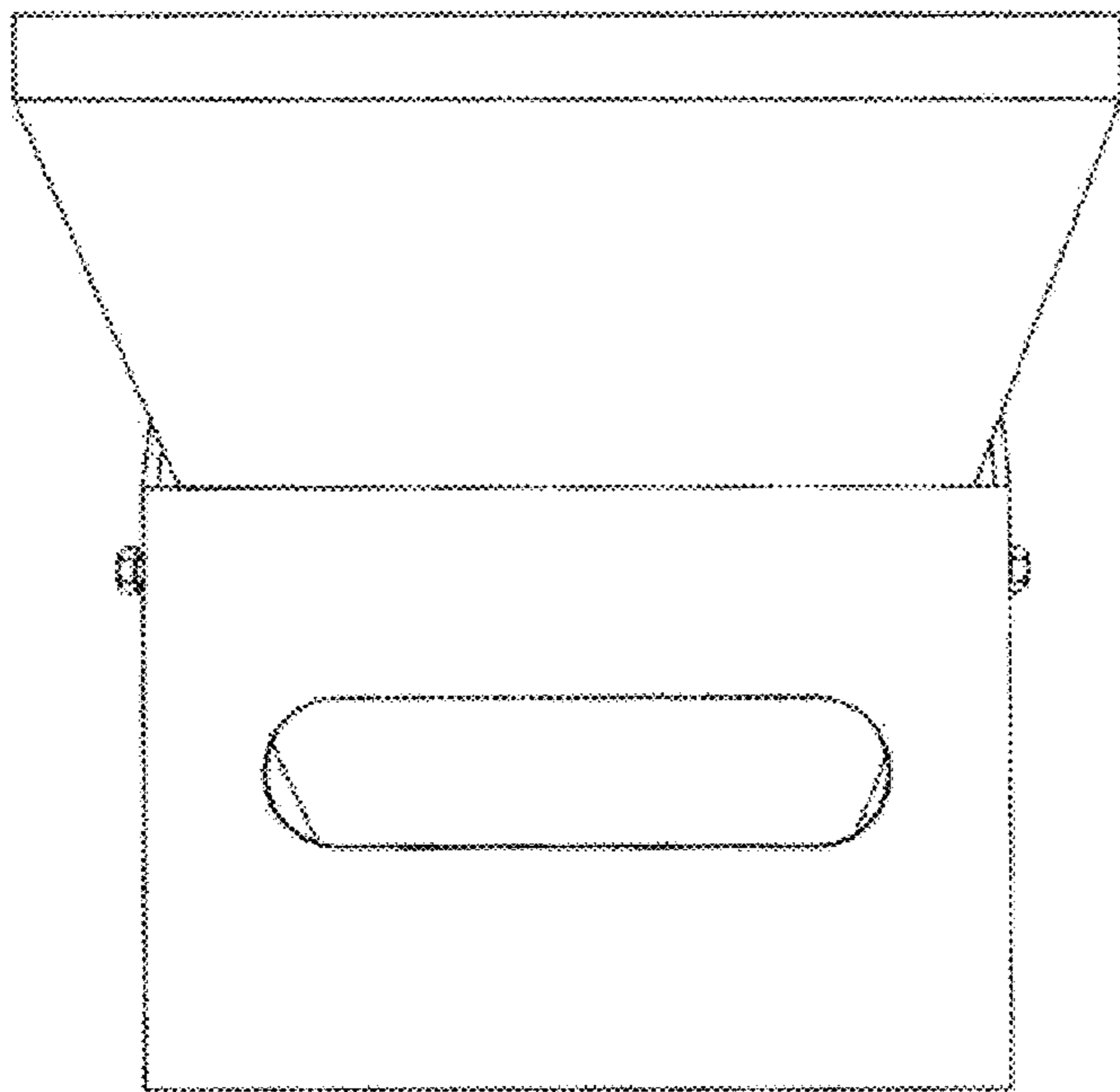


Figure 15

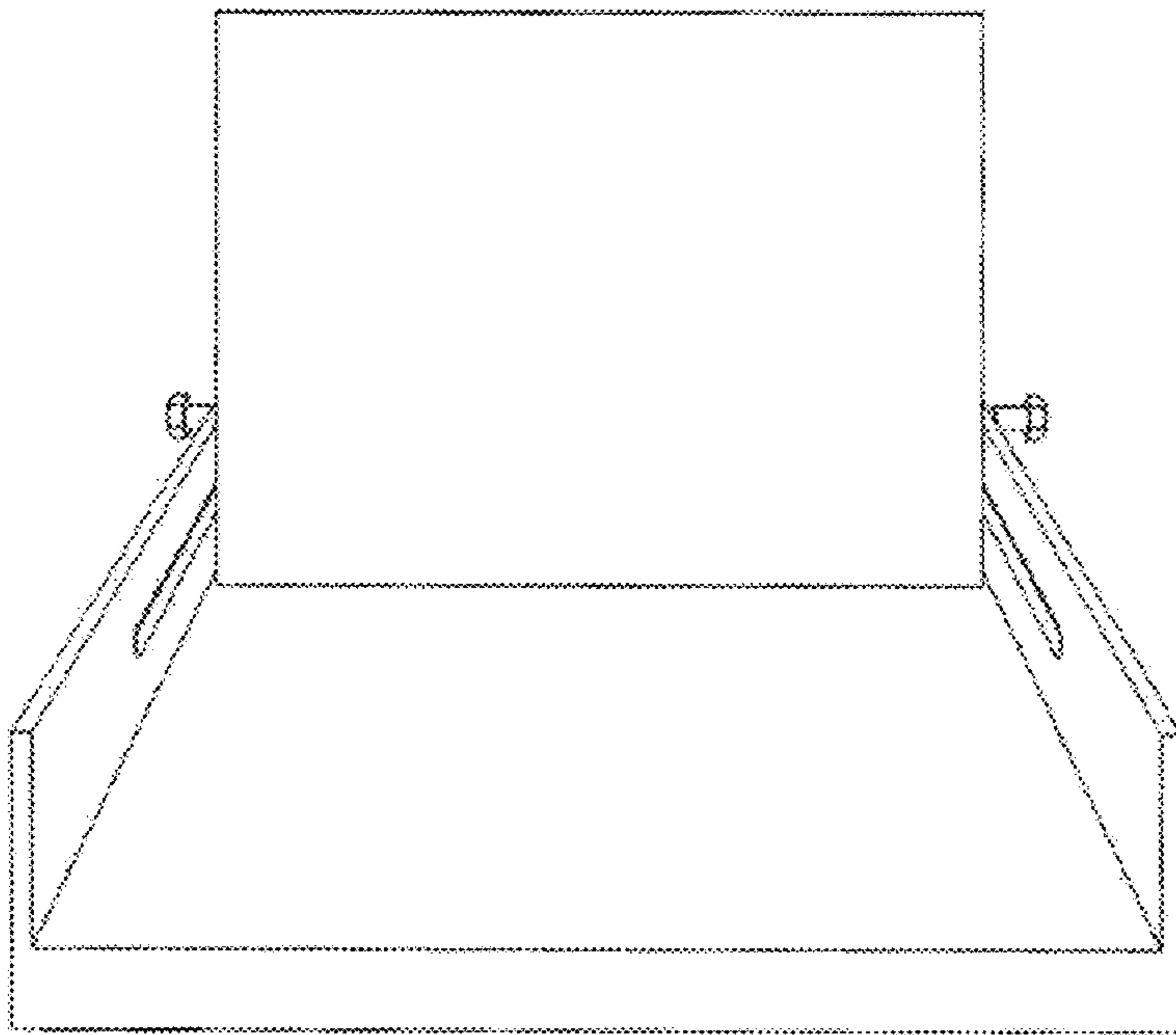


Figure 16