



US00D613022S

(12) **United States Design Patent**
Laursen

(10) **Patent No.:** **US D613,022 S**
(45) **Date of Patent:** **** Mar. 30, 2010**

(54) **WHEEL DOLLY FOR TRANSMISSION JACKS**

D589,224 S * 3/2009 Kilpatrick D34/28

(75) Inventor: **Varney Kisendal Laursen**, Juelsminde (DK)

(73) Assignee: **Compac Hydraulik A/S**, Juelsminde (DK)

(**) Term: **14 Years**

(21) Appl. No.: **29/343,452**

(22) Filed: **Sep. 14, 2009**

Related U.S. Application Data

(62) Division of application No. 29/326,440, filed on Oct. 17, 2008, now Pat. No. Des. 602,670.

(51) **LOC (9) Cl.** **12-02**

(52) **U.S. Cl.** **D34/23; D34/28**

(58) **Field of Classification Search** D34/23, D34/28, 33, 31; 280/47.29, 47.23, 47.113, 280/79.11, 47.17, 652, 47.27; 211/23, 24; 414/785, 11, 917; 254/2 R, 8 R
See application file for complete search history.

(56) **References Cited**

U.S. PATENT DOCUMENTS

- 1,887,965 A * 11/1932 Stoner 254/323
- 2,546,509 A * 3/1951 Huff 414/428
- D241,925 S * 10/1976 Adams D34/26
- D310,283 S * 8/1990 Faykosh et al. D34/23
- D354,383 S * 1/1995 Smith D34/23
- D376,240 S * 12/1996 Finnigan et al. D34/33
- D423,751 S * 4/2000 Owen D34/33
- D438,684 S * 3/2001 Hernandez D34/33
- D465,635 S * 11/2002 Hong D34/33

OTHER PUBLICATIONS

Northern Tool + Equipment, www.northerntool.com, Torin Mechanical Lift Door Handler Model#DH-001-X, website, Jan. 6, 2009, 2, Northern Tool + Equipment, Burnsville, Minnesota, USA.
Northern Tool + Equipment, www.northerntool.com, Wesco Hydraulic Platform Lift, website, Jan. 6, 2009, 2, Northern Tool + Equipment, Burnsville, Minnesota, USA.
Northern Tool + Equipment, www.northerntool.com, Vestil Lite Load Lift with Hydraulic (fot pump) Operation, Model# LLH-202053-FW, website, Jan. 6, 2009, 2, Northern Tool + Equipment, Burnsville, Minnesota, USA.

* cited by examiner

Primary Examiner—Cynthia E Ramirez

(74) *Attorney, Agent, or Firm*—J. Bennett Mullinax, LLC

(57) **CLAIM**

The ornamental design for a wheel dolly for transmission jacks, as shown and described.

DESCRIPTION

FIG. 1 is a perspective view of a wheel dolly for transmission jacks according to the present invention;

FIG. 2 is a front view thereof;

FIG. 3 is a rear view thereof;

FIG. 4 is a right side view thereof;

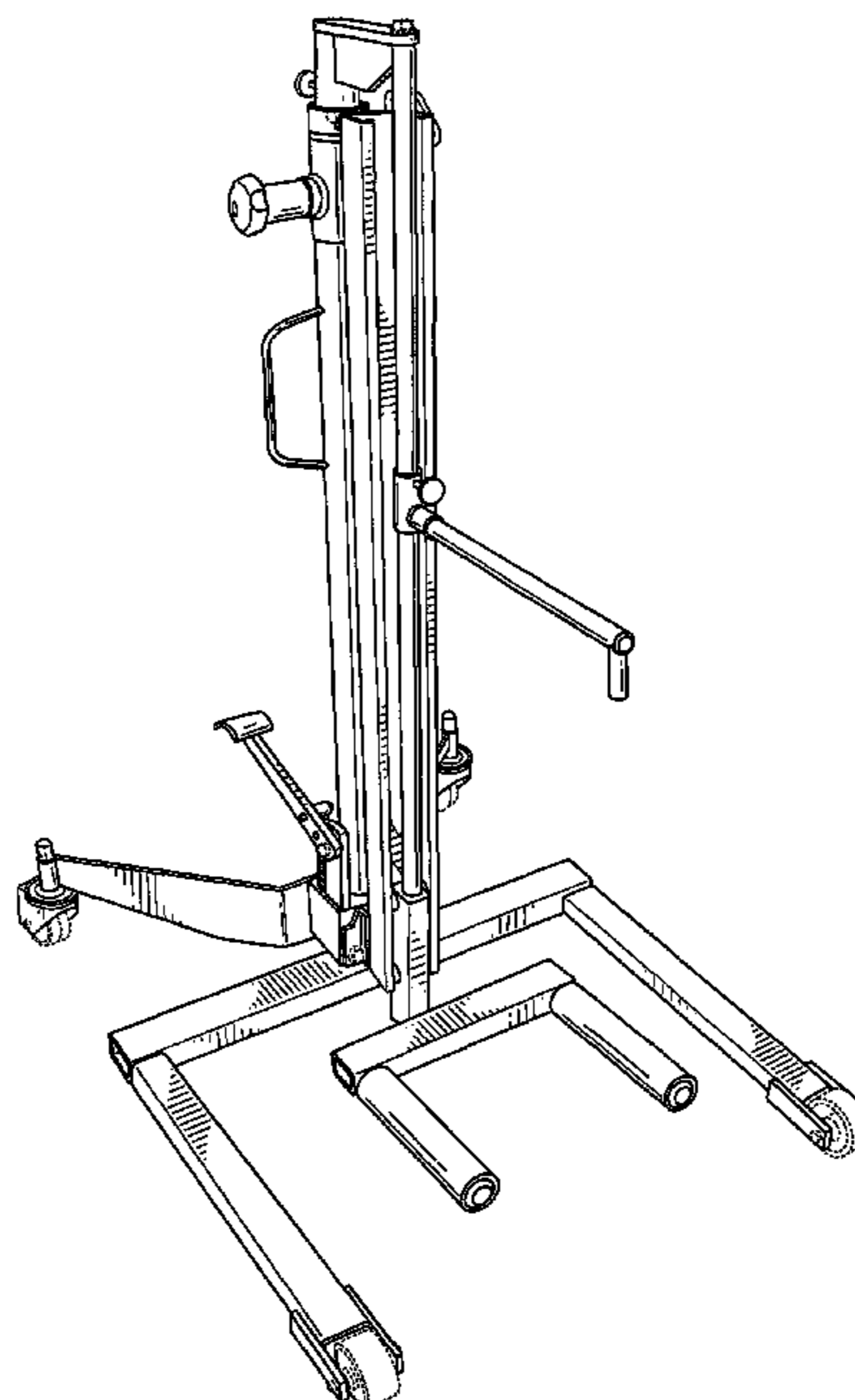
FIG. 5 is a left side view thereof;

FIG. 6 is a top plan view thereof; and,

FIG. 7 is a bottom plan view thereof.

The broken lines in FIGS. 1 through 7, setting forth wheels, bolts and anchors are for illustrative purposes only and form no part of the claimed design.

1 Claim, 7 Drawing Sheets



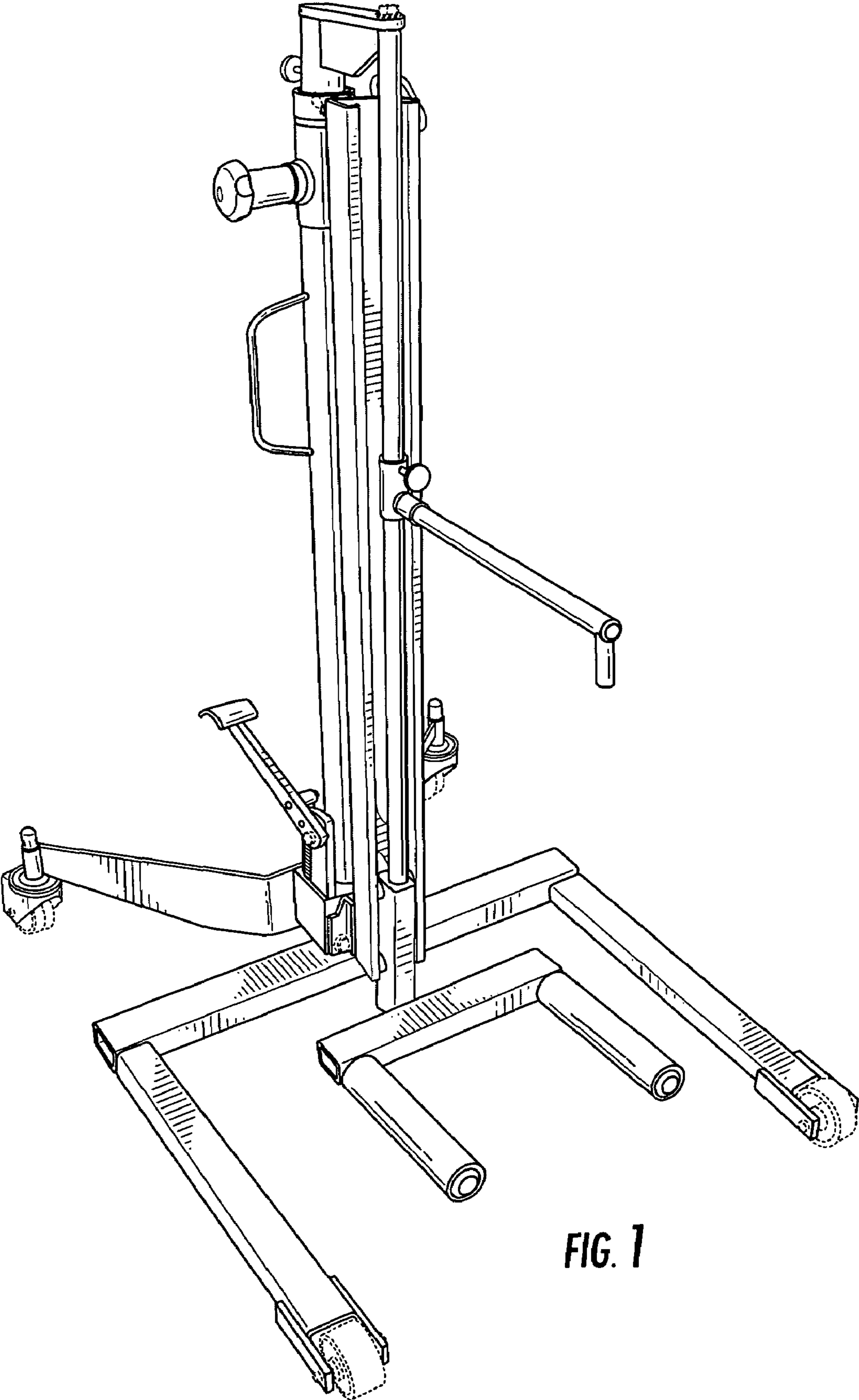


FIG. 1

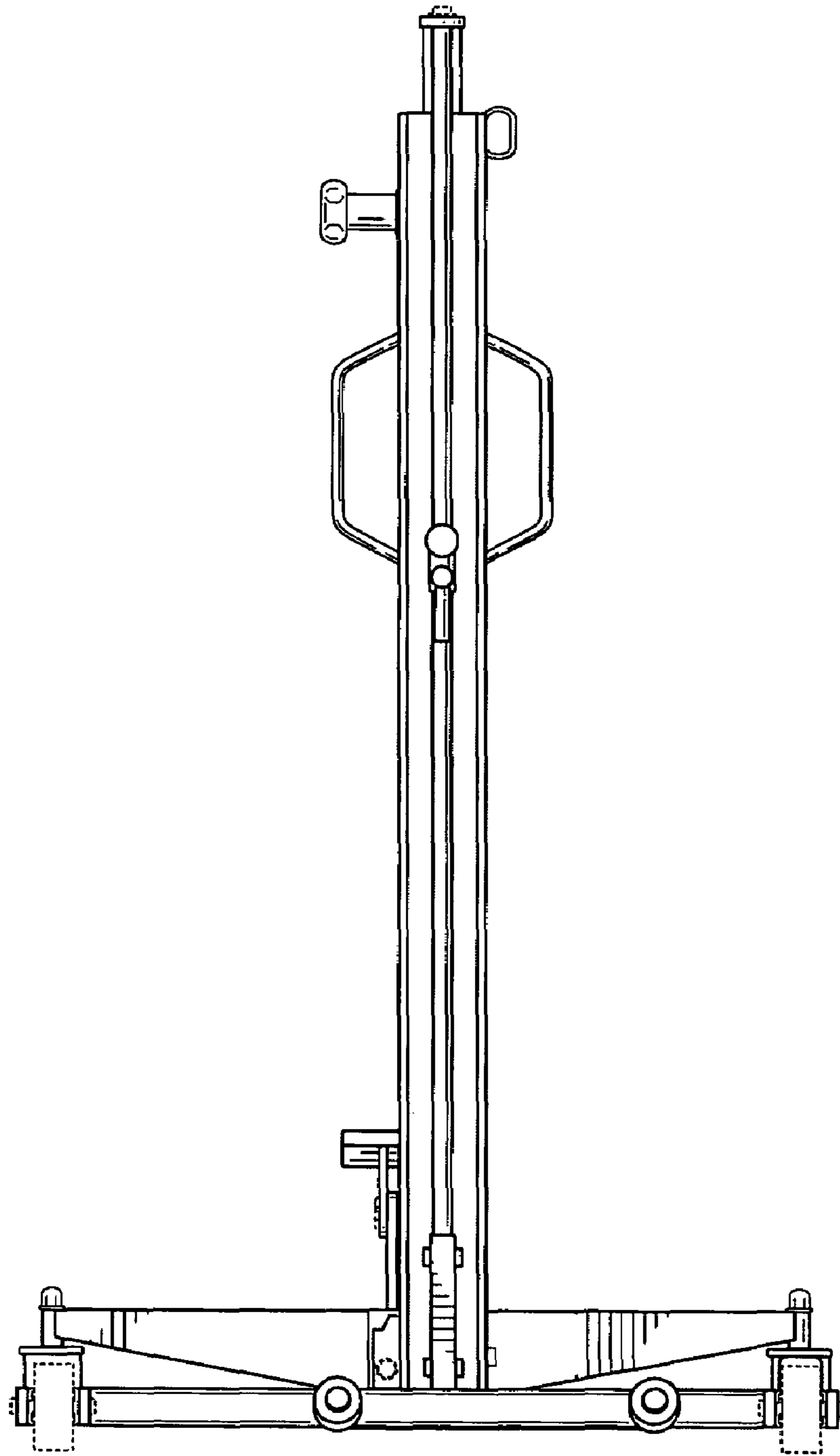


FIG. 2

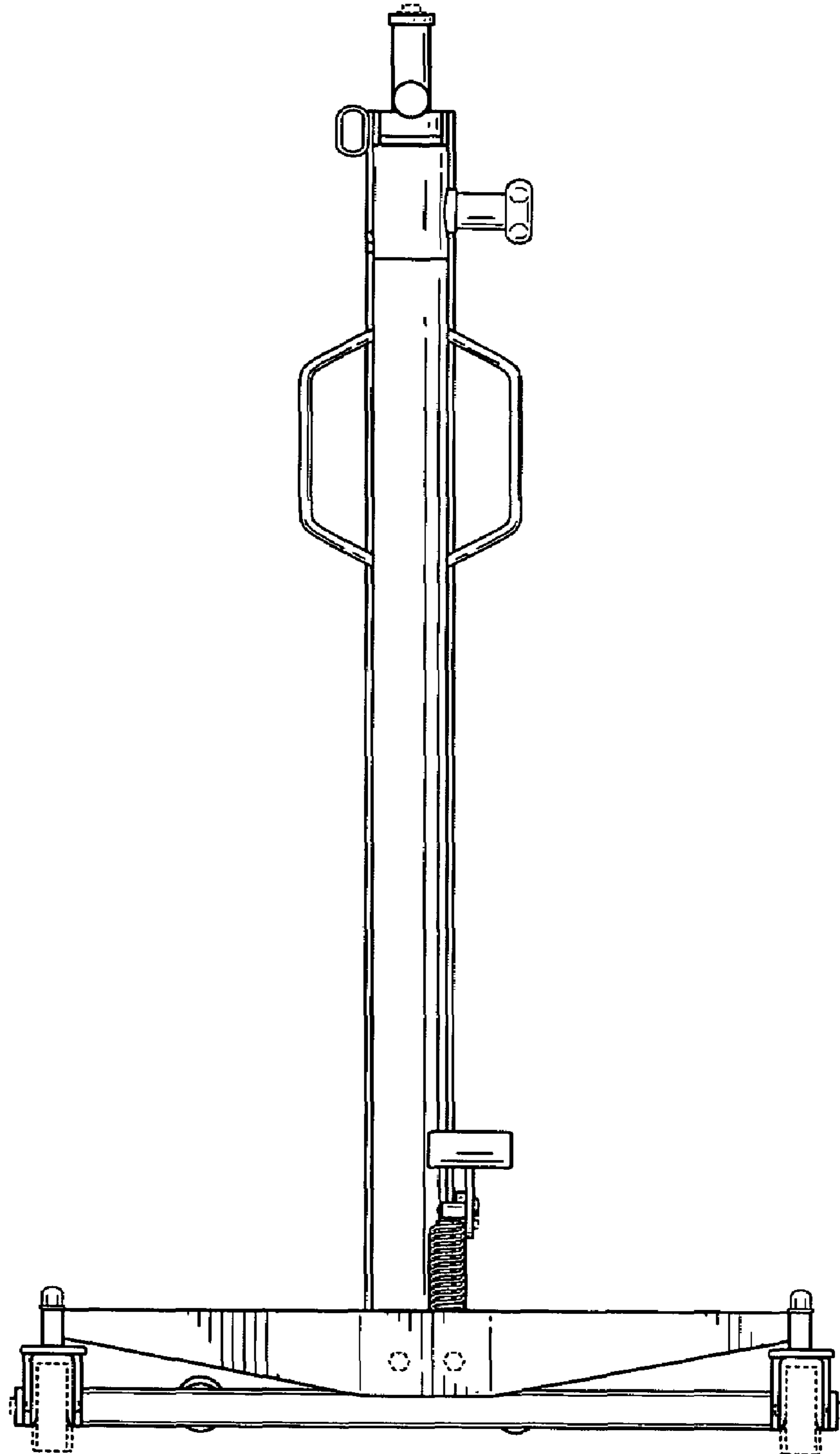


FIG. 3

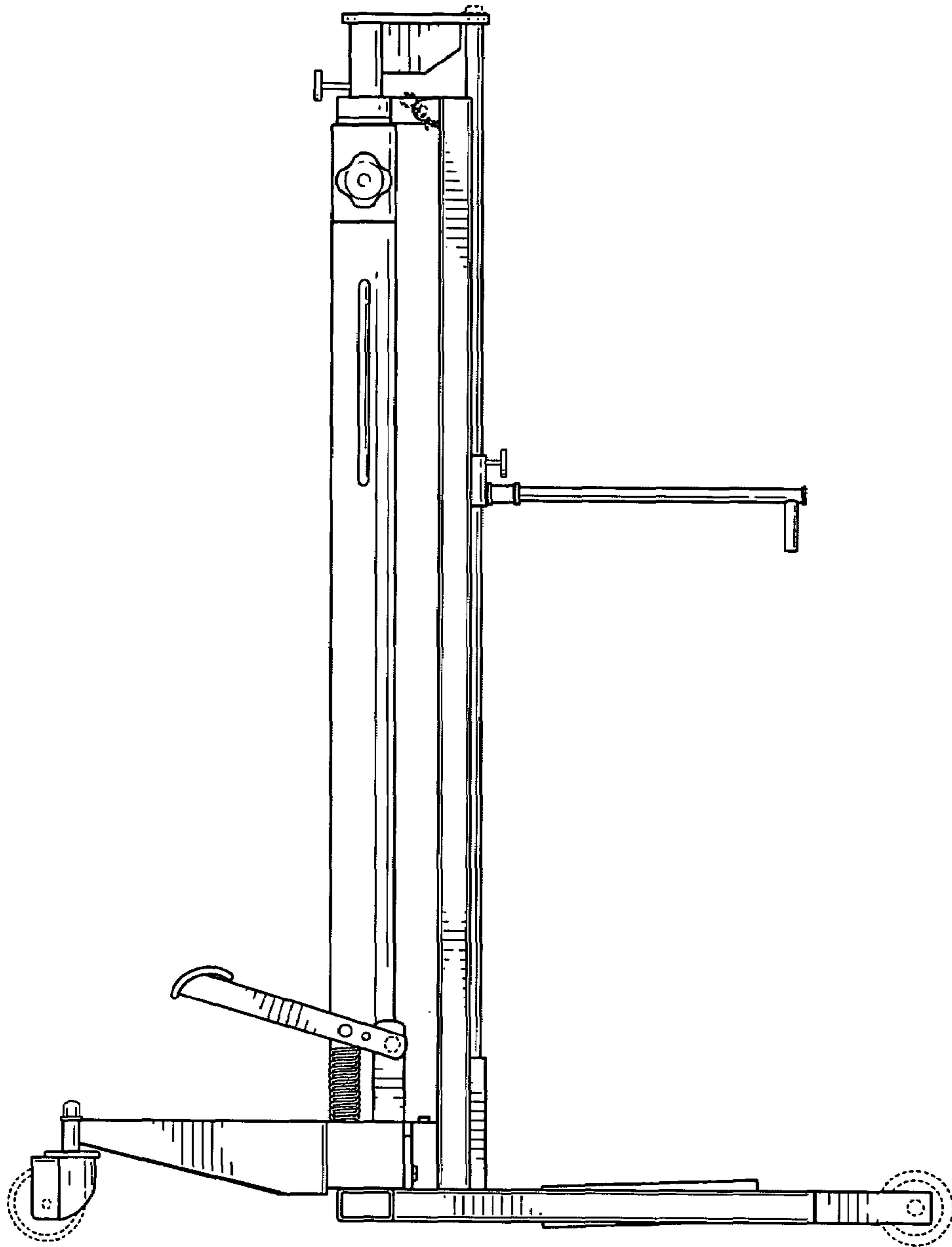


FIG. 4

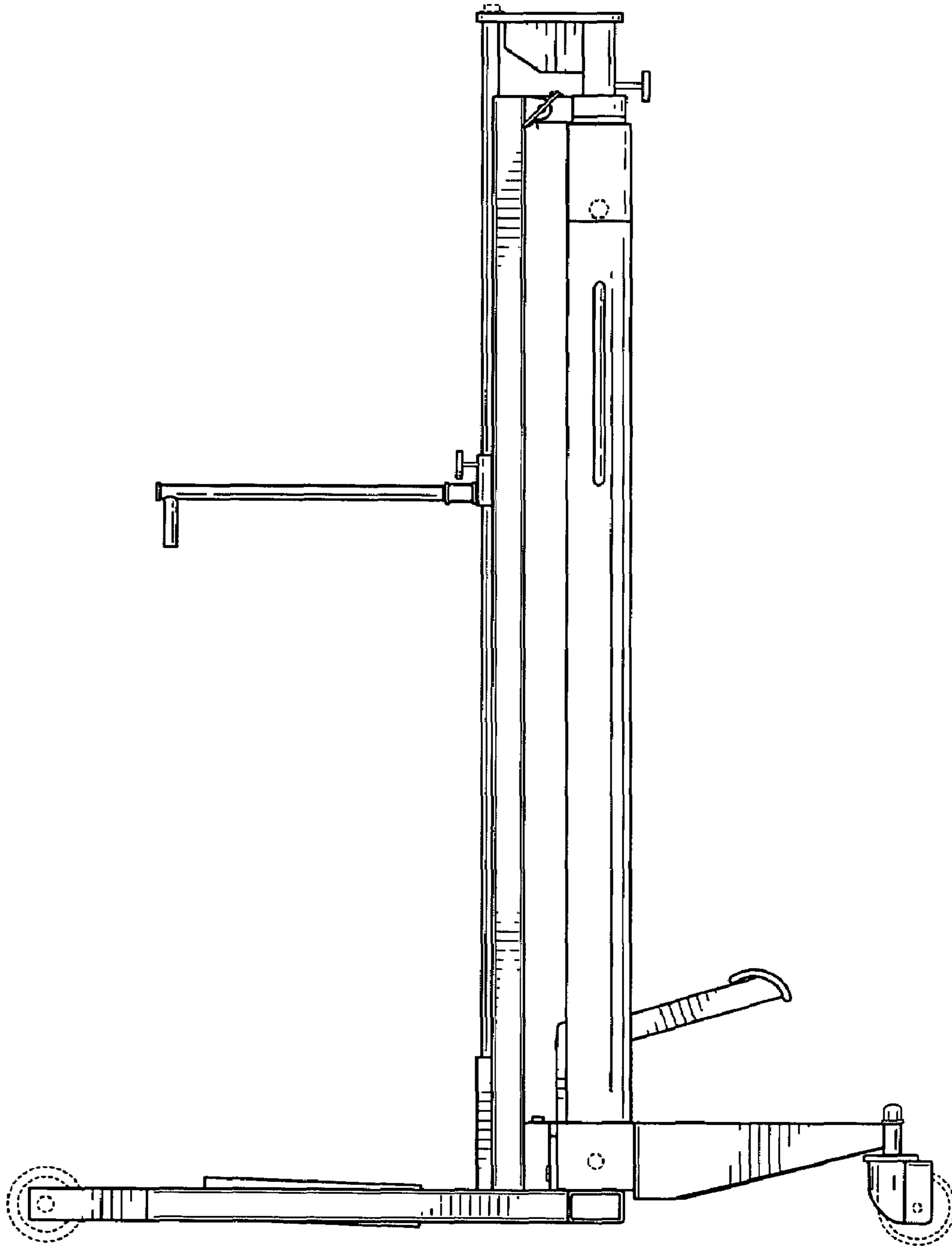


FIG. 5

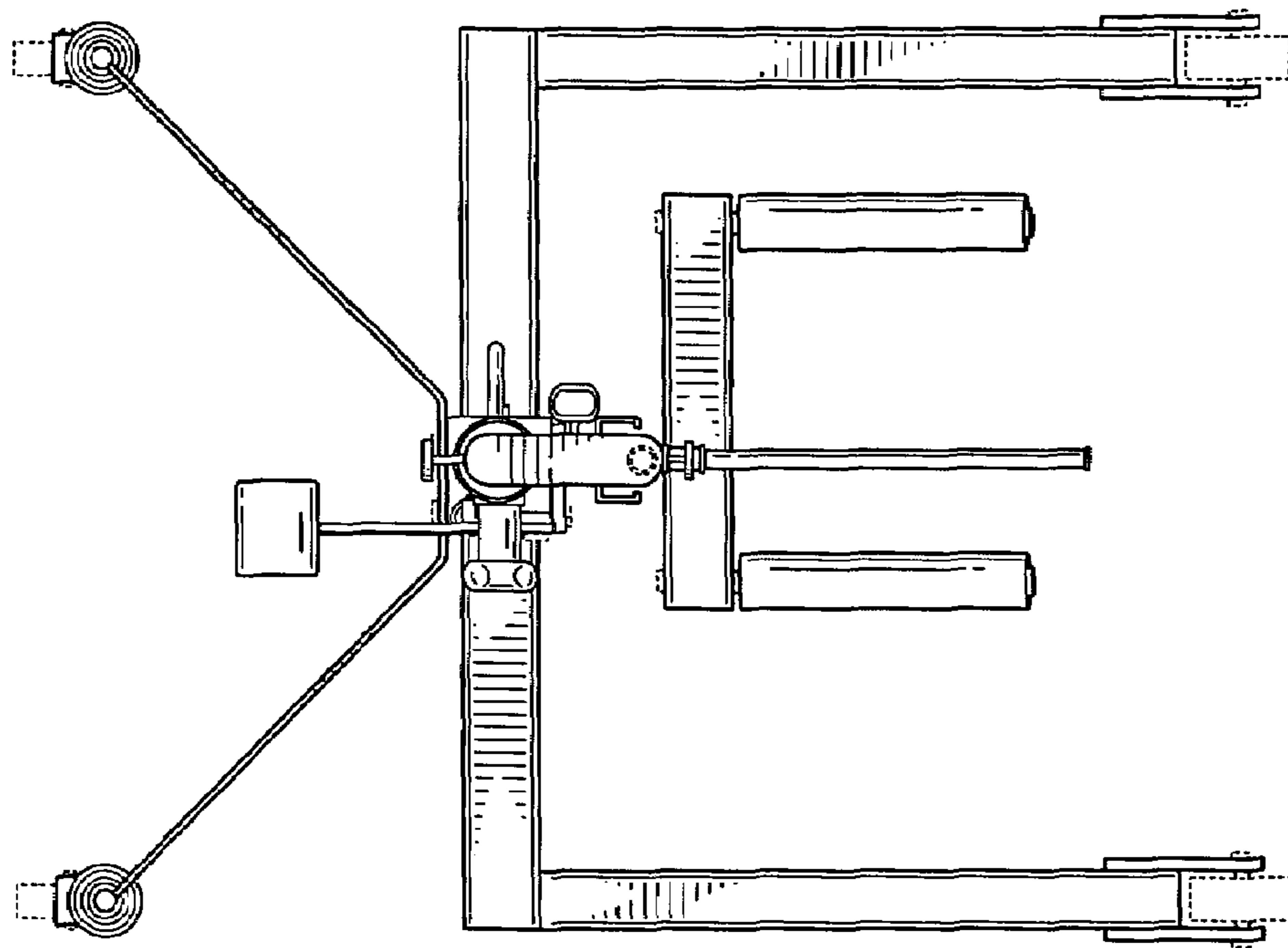


FIG. 6

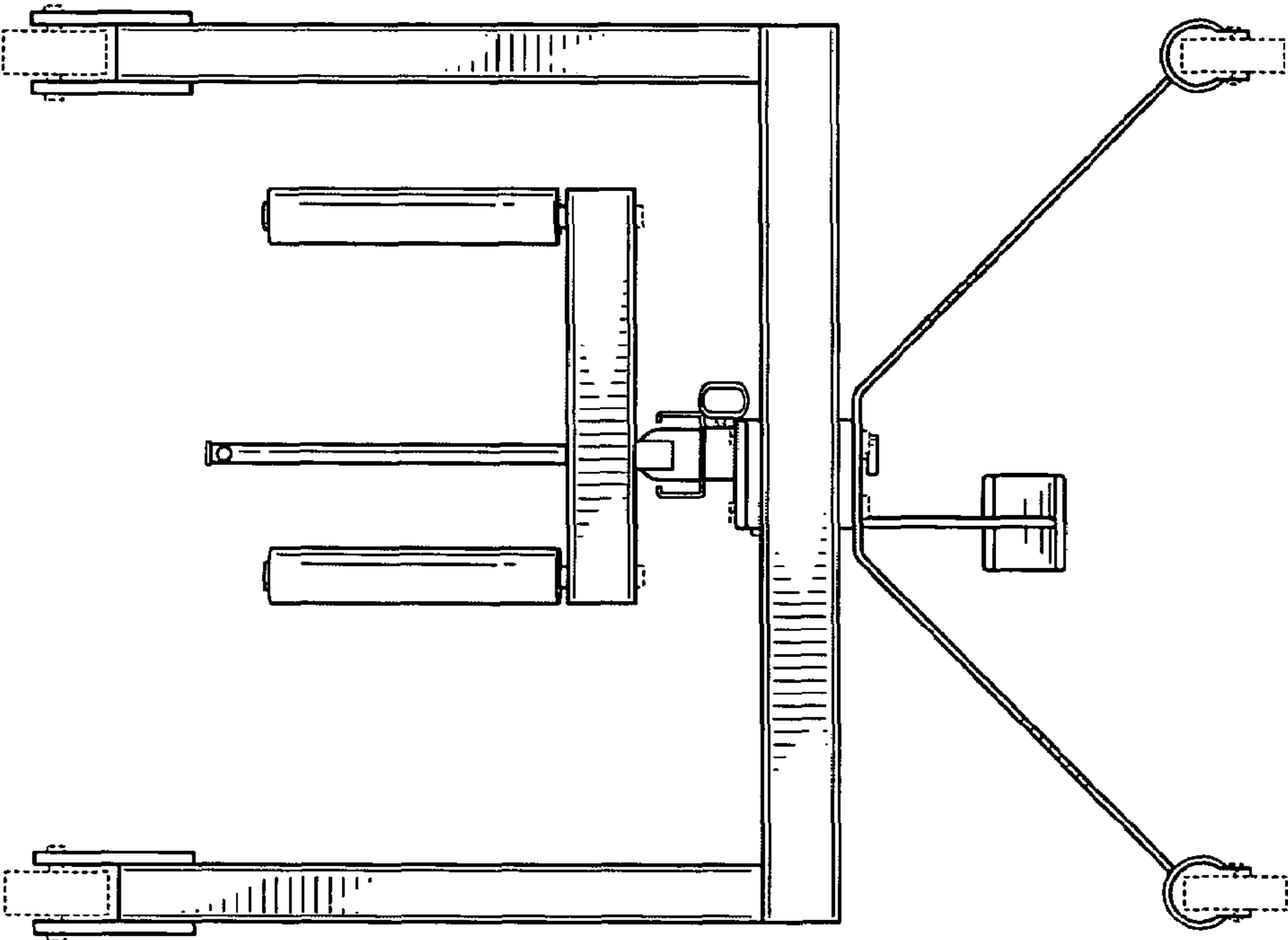


FIG. 7