



US00D613020S

(12) **United States Design Patent**
Yang et al.

(10) **Patent No.:** **US D613,020 S**
(45) **Date of Patent:** **** Mar. 30, 2010**

(54) **COMPOST PAIL**

(75) Inventors: **Frank Yang**, Rancho Palos Verdes, CA (US); **Tzu-Hao Wei**, Hacienda Heights, CA (US); **Myk Lum**, Irvine, CA (US); **Won Song**, Tustin, CA (US)

(73) Assignee: **Simplehuman LLC**, Torrance, CA (US)

(**) Term: **14 Years**

(21) Appl. No.: **29/339,150**

(22) Filed: **Jun. 24, 2009**

(51) **LOC (9) Cl.** **09-09**

(52) **U.S. Cl.** **D34/7; D34/1**

(58) **Field of Classification Search** D34/1,
D34/7; D32/53, 53.1; 220/908-911, 735,
220/773, 774, 694, 702; 206/505-507; 15/264,
15/257.05, 257.06

See application file for complete search history.

(56) **References Cited**

U.S. PATENT DOCUMENTS

1,218,449	A *	3/1917	Nickum	220/634
2,626,078	A *	1/1953	Hutchisson, Jr. et al.	220/623
2,837,860	A *	6/1958	Norling	43/56
D221,475	S *	8/1971	Norquest	D34/7
D222,981	S *	2/1972	Yates	D32/53
3,804,289	A *	4/1974	Churan	220/782
4,399,926	A *	8/1983	Eidels-Dubovoy	220/288
D312,160	S *	11/1990	Calvi	D34/7
D336,702	S *	6/1993	Brethouwer	D34/1

D352,143	S *	11/1994	Arshinoff	D32/53
D354,602	S *	1/1995	Goubaud	D34/28
D355,060	S *	1/1995	Bernstein et al.	D32/37
D355,511	S *	2/1995	Cassel	D34/1
D364,254	S *	11/1995	Natgrass	D34/1
D441,160	S *	4/2001	Lin	D34/7
D489,853	S *	5/2004	Verbeek et al.	D34/7
D558,419	S *	12/2007	Zychlinski	D32/53
D574,668	S *	8/2008	Kelly	D7/608
D589,670	S *	3/2009	Smeets	D34/7
D590,561	S *	4/2009	Baltz	D32/53
2008/0116209	A1 *	5/2008	Blanchard	220/571.1
2008/0190930	A1 *	8/2008	Vogel et al.	220/276

* cited by examiner

Primary Examiner—Cynthia E Ramirez

(74) *Attorney, Agent, or Firm*—Liu & Liu

(57) **CLAIM**

The ornamental design for a compost pail, as shown.

DESCRIPTION

FIG. 1 is a right perspective view of a compost pail showing our new design;

FIG. 2 is a top plan view thereof;

FIG. 3 is a bottom plan view thereof;

FIG. 4 is a right side view thereof;

FIG. 5 is a left side view thereof;

FIG. 6 is a front view thereof; and,

FIG. 7 is a rear view thereof.

1 Claim, 7 Drawing Sheets

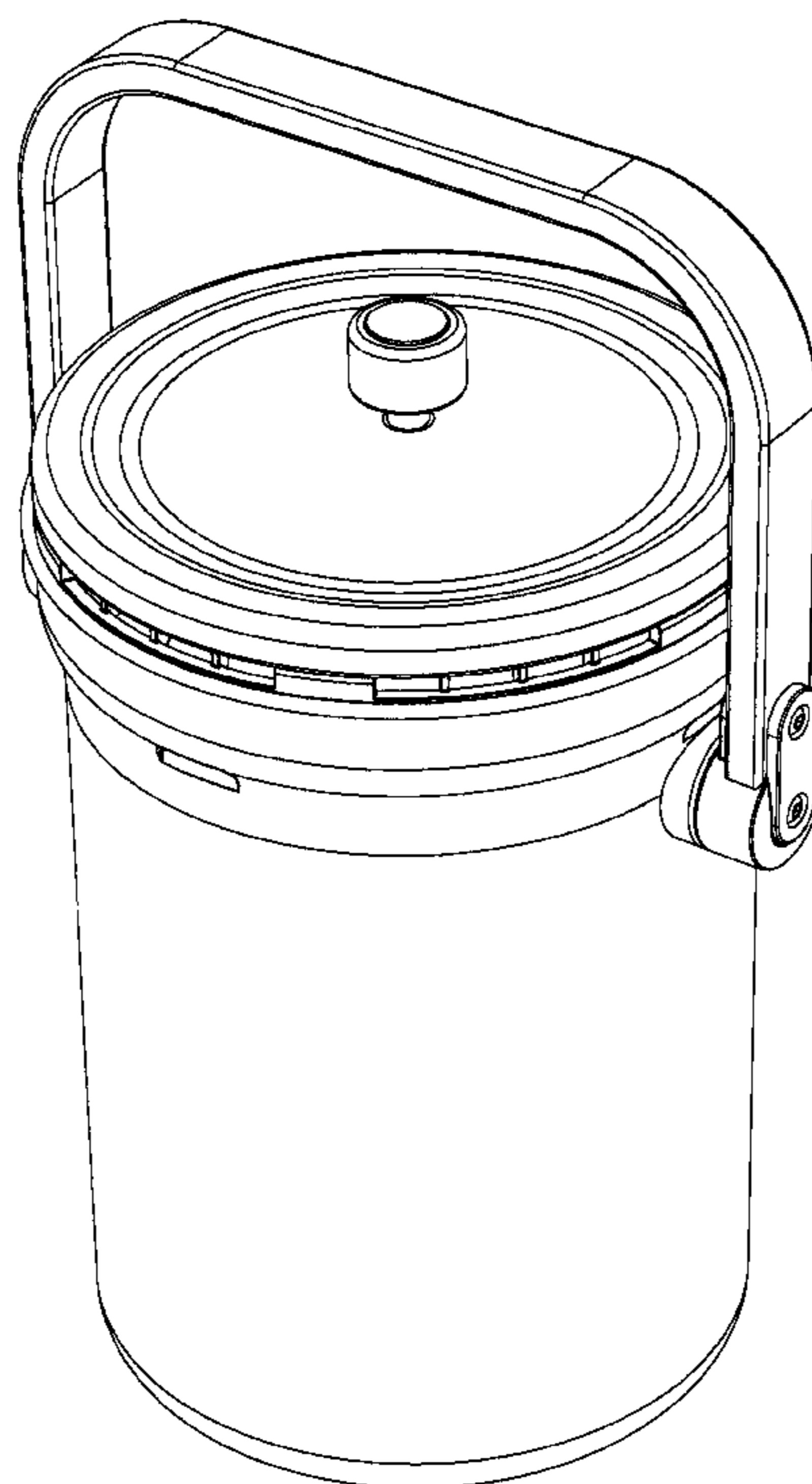


FIG. 1

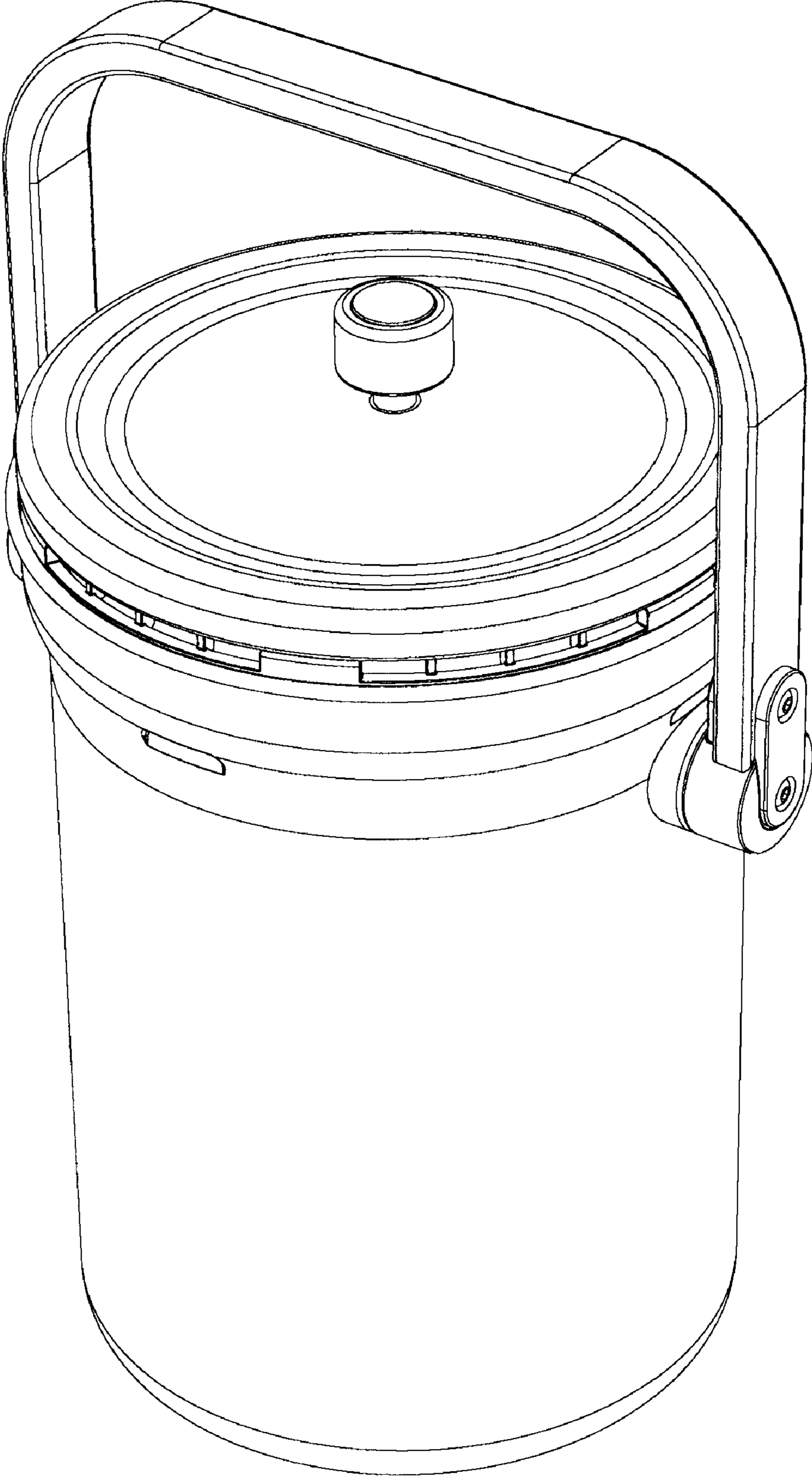


FIG. 2

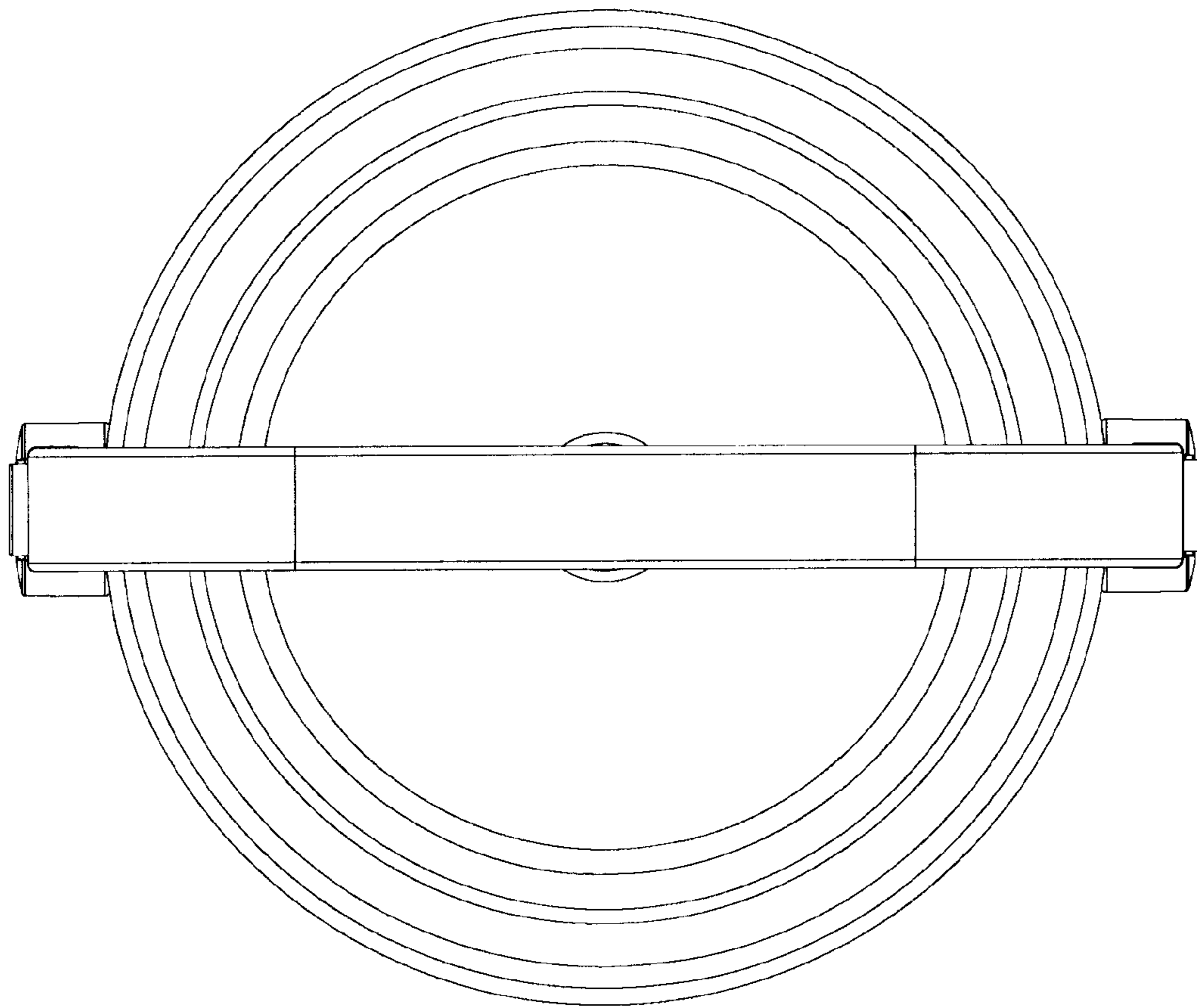


FIG. 3

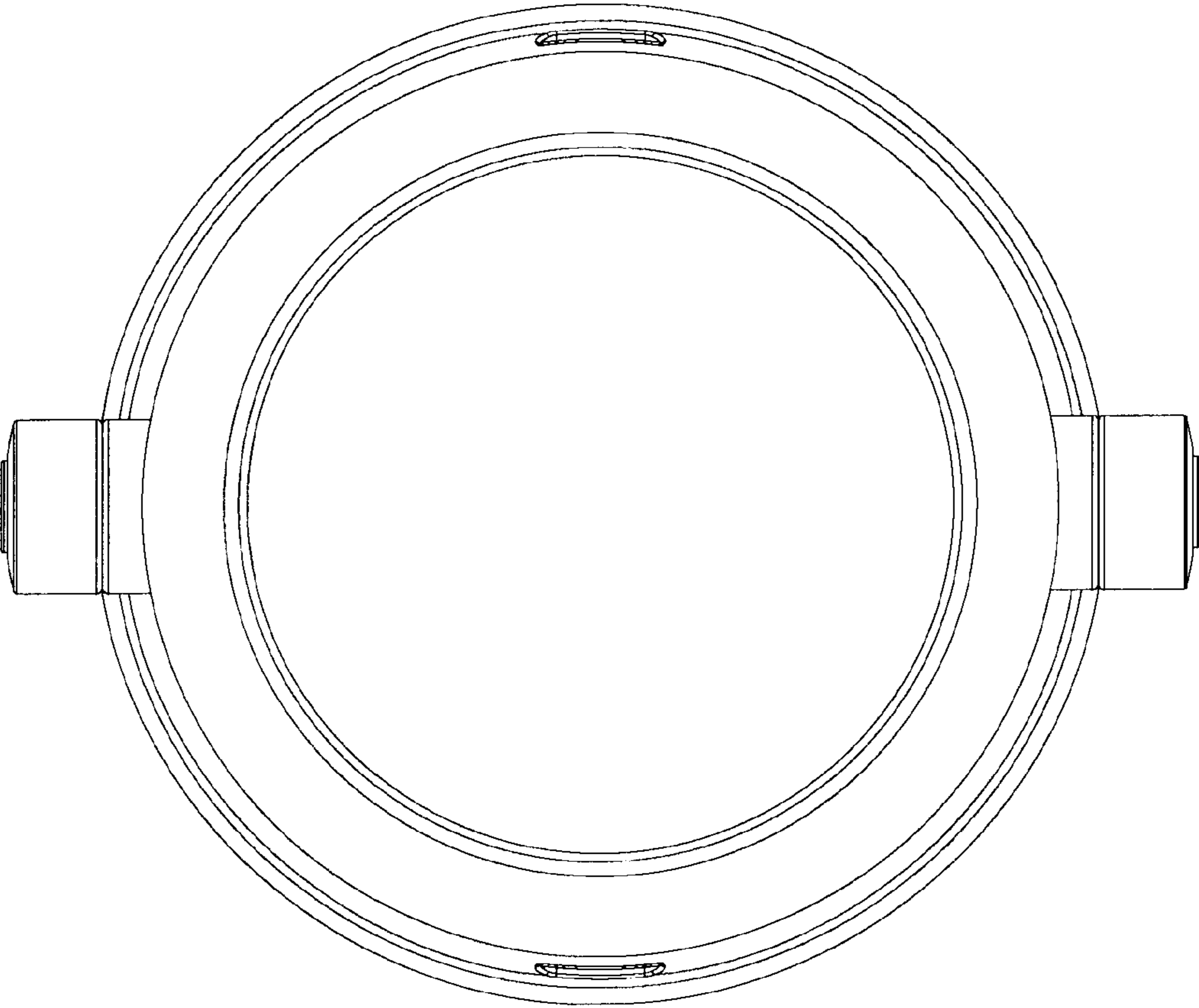


FIG. 4

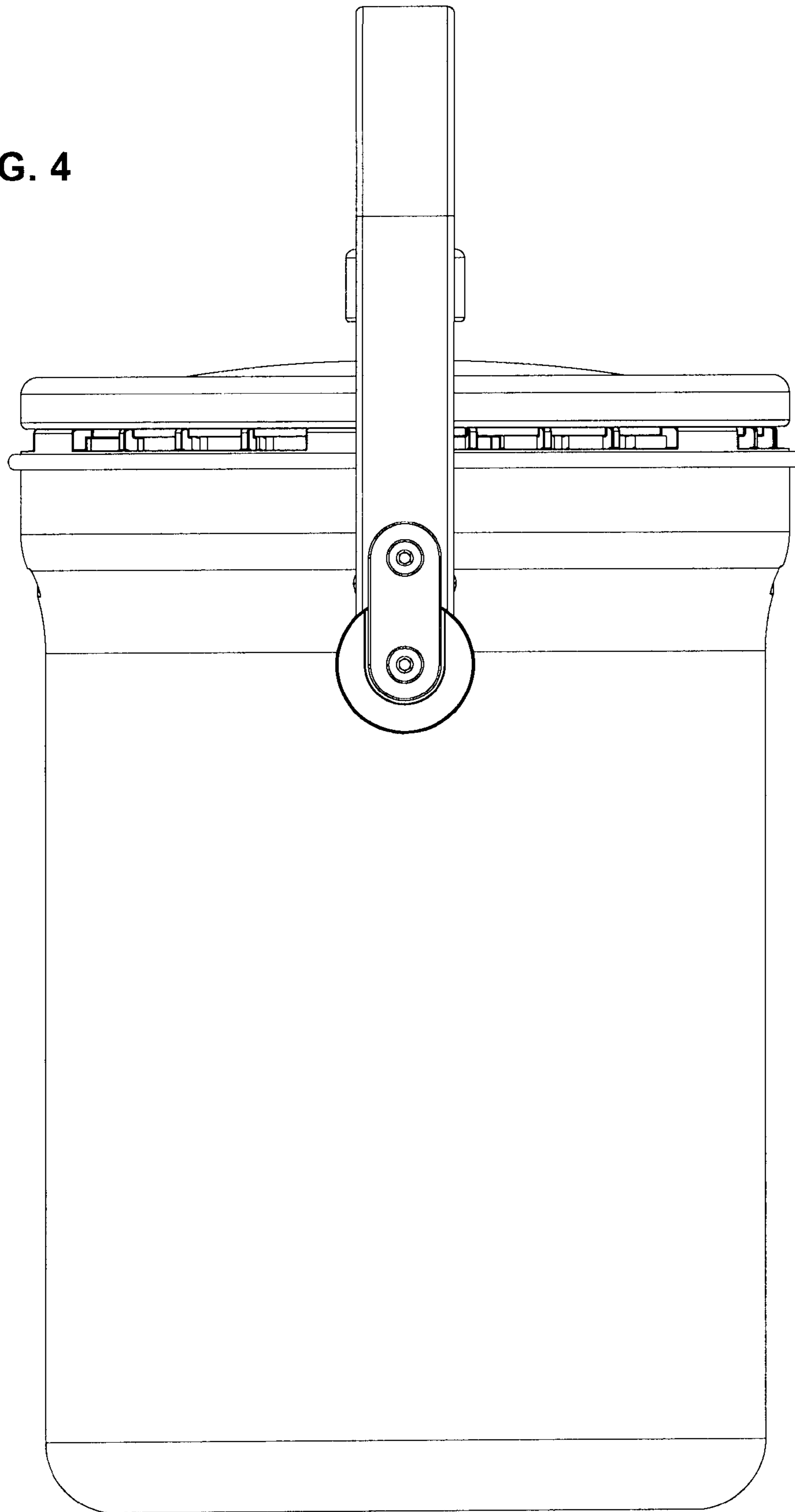


FIG. 5

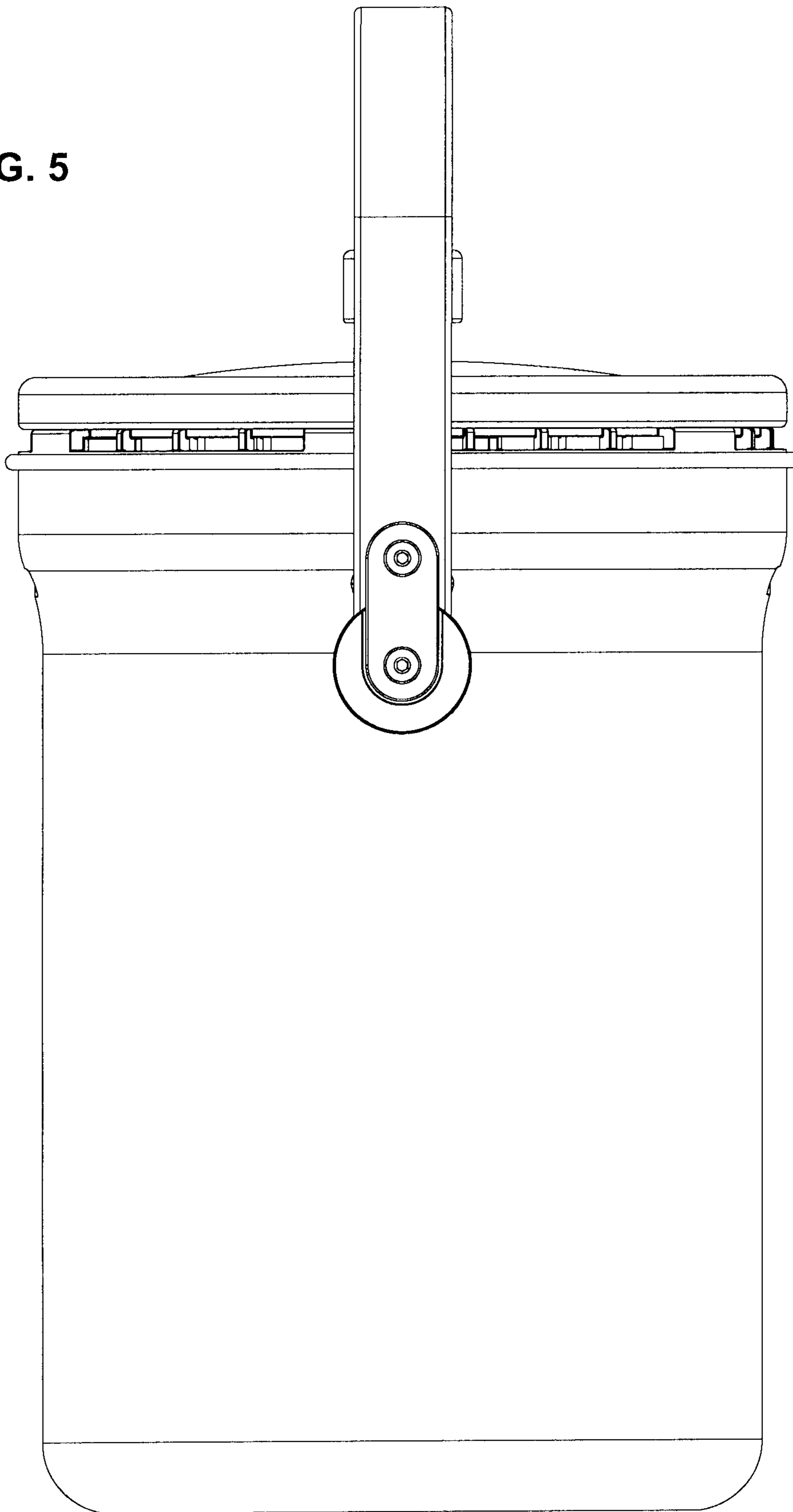


FIG. 6

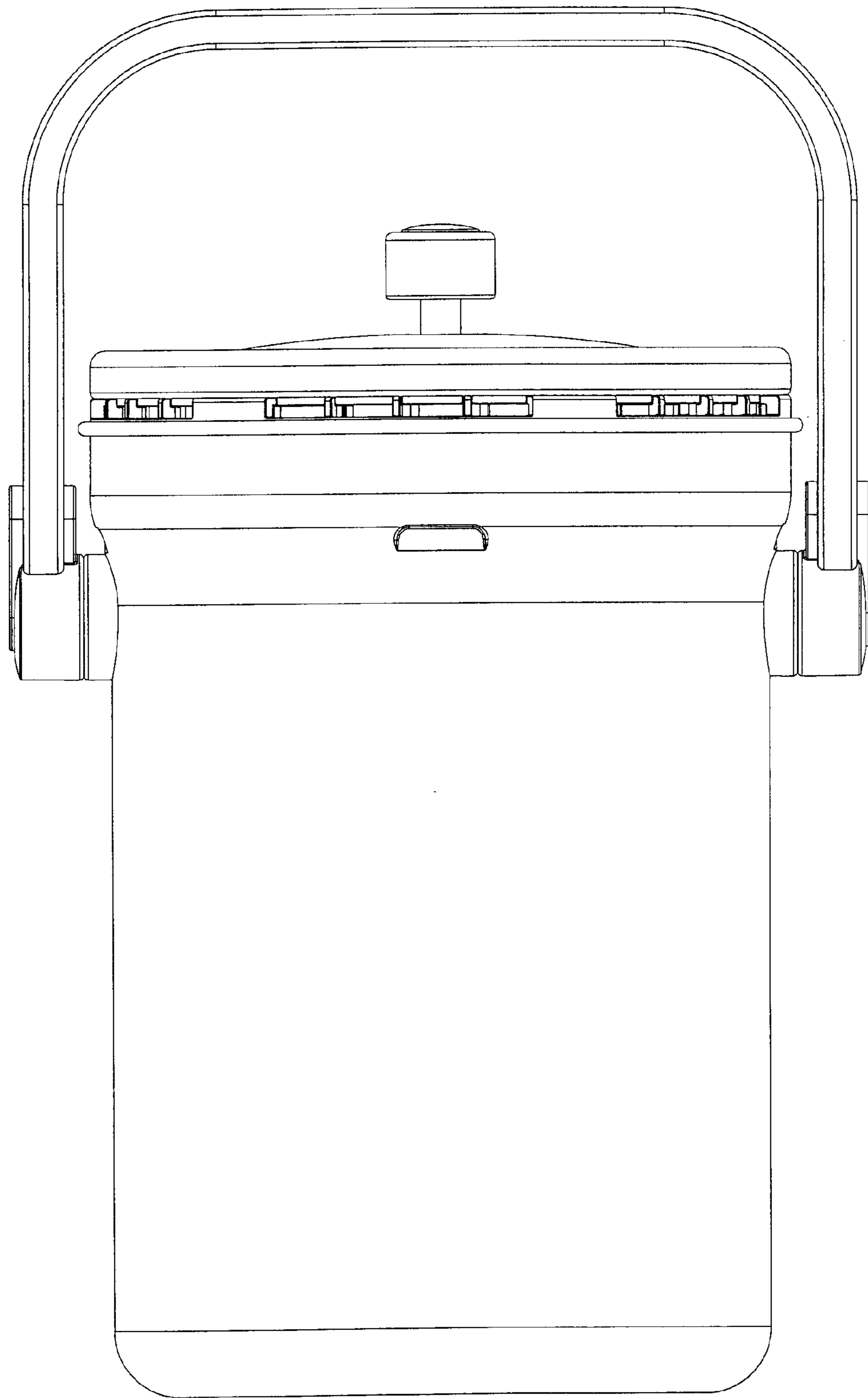


FIG. 7

