



US00D613018S

(12) **United States Design Patent**
Greene

(10) **Patent No.:** **US D613,018 S**
(45) **Date of Patent:** **** Mar. 30, 2010**

(54) **SIMULATED WOOD TRASH RECEPTACLE**

D590,119 S * 4/2009 Swick D34/7

(76) Inventor: **Andrew Greene**, 450 N. Park Rd., Suite
707, Hollywood, FL (US) 33021

* cited by examiner

(**) Term: **14 Years**

Primary Examiner—Cynthia E Ramirez
(74) *Attorney, Agent, or Firm*—Gold & Rizvi, P.A.; H. John
Rizvi; Glenn E. Gold

(21) Appl. No.: **29/340,570**

(57) **CLAIM**

(22) Filed: **Jul. 21, 2009**

I claim the ornamental design for a simulated wood trash
receptacle, as shown and described.

(51) **LOC (9) Cl.** **09-09**

(52) **U.S. Cl.** **D34/5; D34/7**

(58) **Field of Classification Search** D34/1-11;
220/908-911; 280/47.26

See application file for complete search history.

DESCRIPTION

FIG. 1 is a perspective top, front view of the simulated wood
trash receptacle;

(56) **References Cited**

U.S. PATENT DOCUMENTS

- D326,342 S * 5/1992 Doxey et al. D34/7
- 5,150,810 A * 9/1992 Loebbert 383/33
- 6,808,081 B1 * 10/2004 Citro 220/772
- D554,823 S * 11/2007 Jones D34/7
- D564,722 S * 3/2008 Hogarth et al. D34/5
- D575,020 S * 8/2008 Miller D34/7

FIG. 2 is a perspective view of the simulated wood trash
receptacle with the receptacle and cover separated;

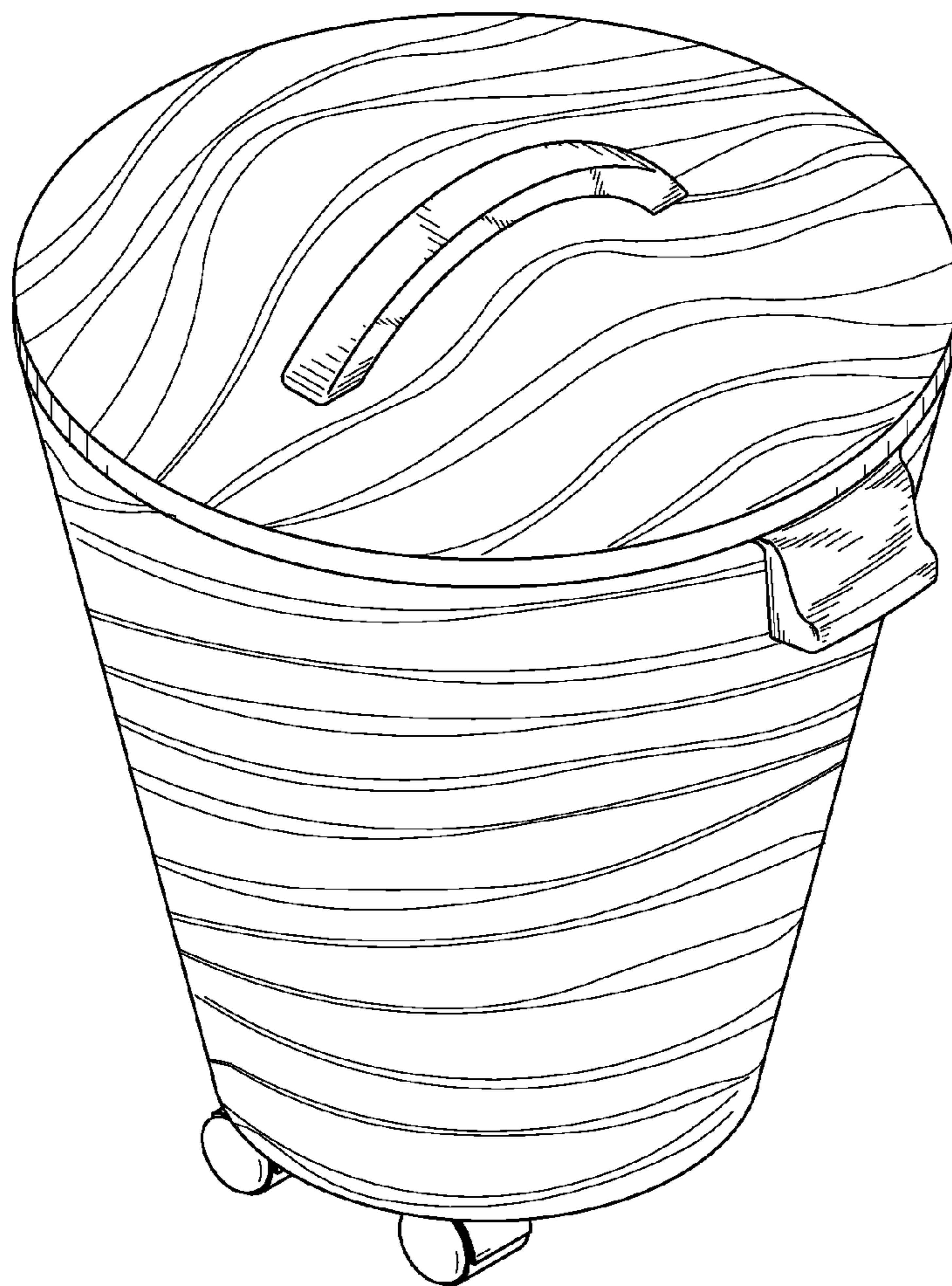
FIG. 3 is a top view thereof;

FIG. 4 is a side view thereof;

FIG. 5 is a front view thereof; and,

FIG. 6 is a bottom view thereof.

1 Claim, 4 Drawing Sheets



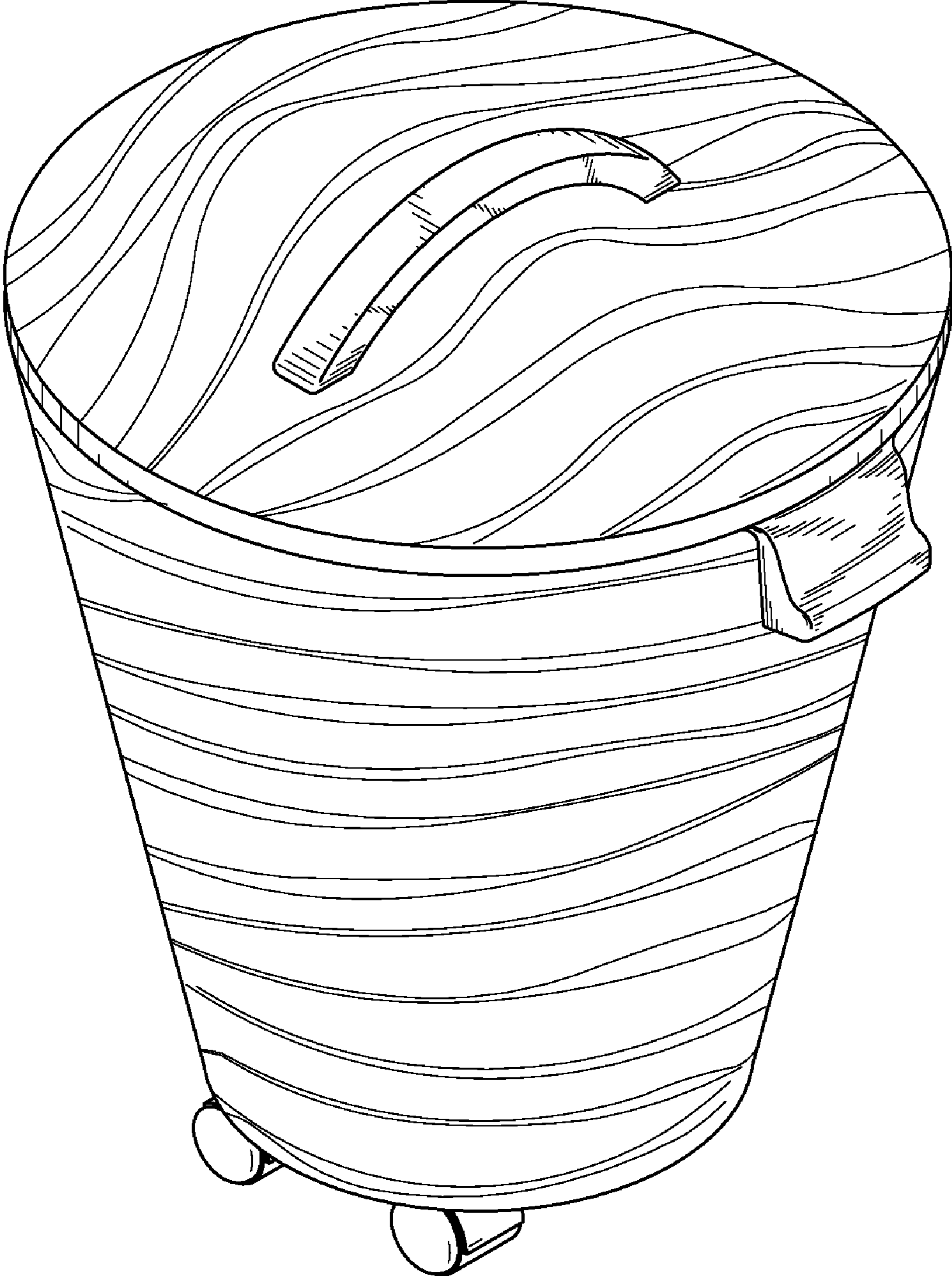


FIG. 1

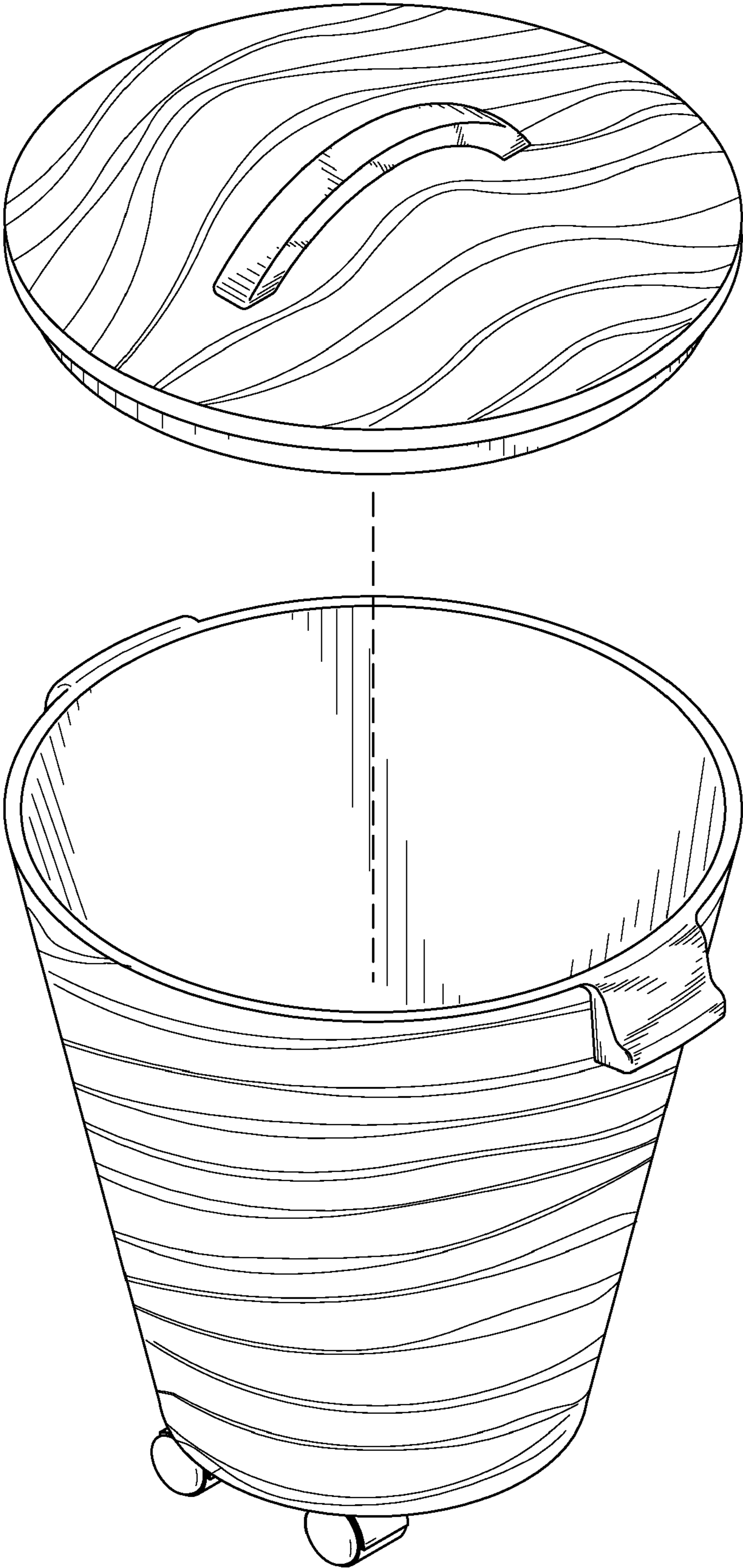


FIG. 2

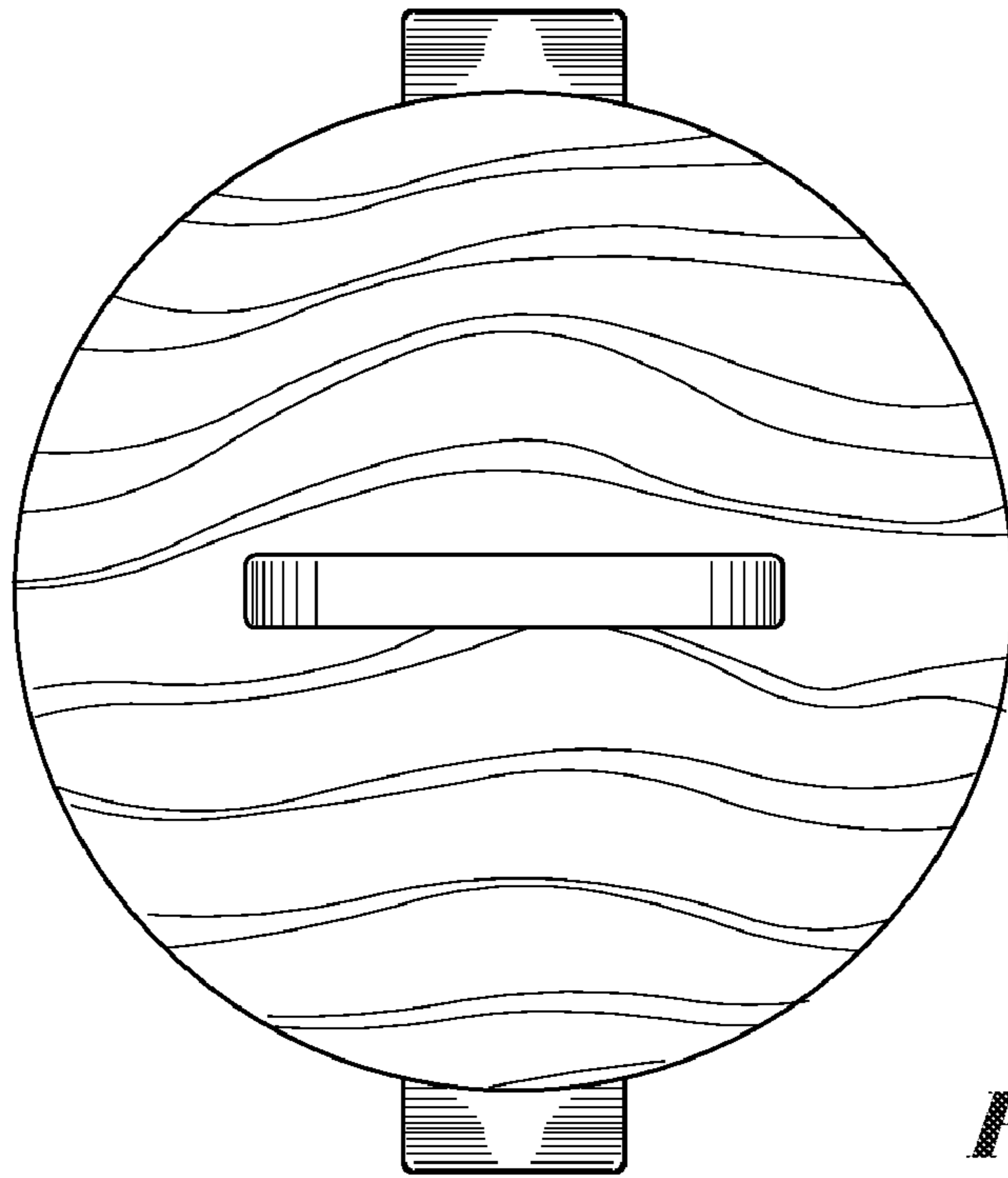


FIG. 3

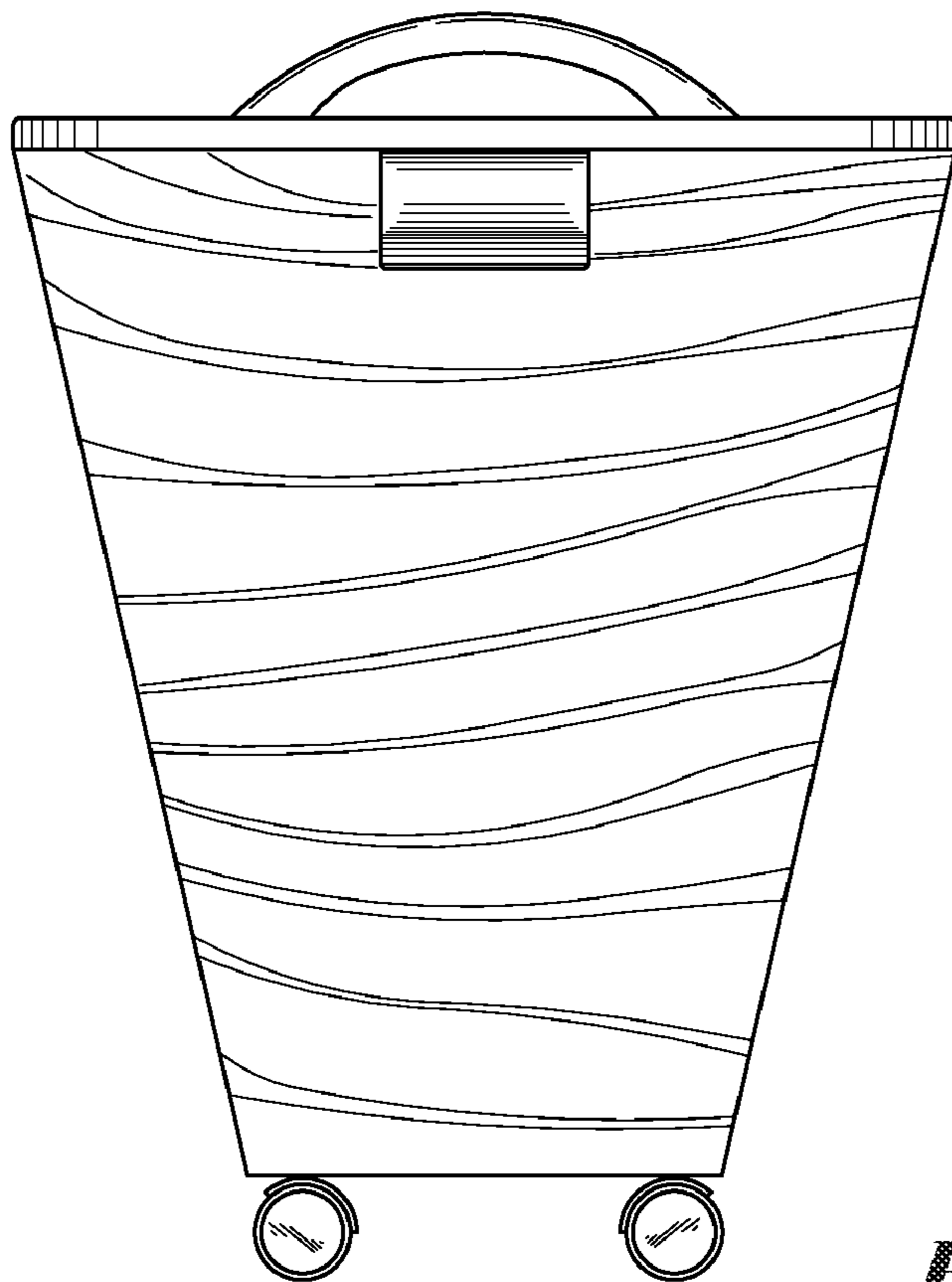


FIG. 4

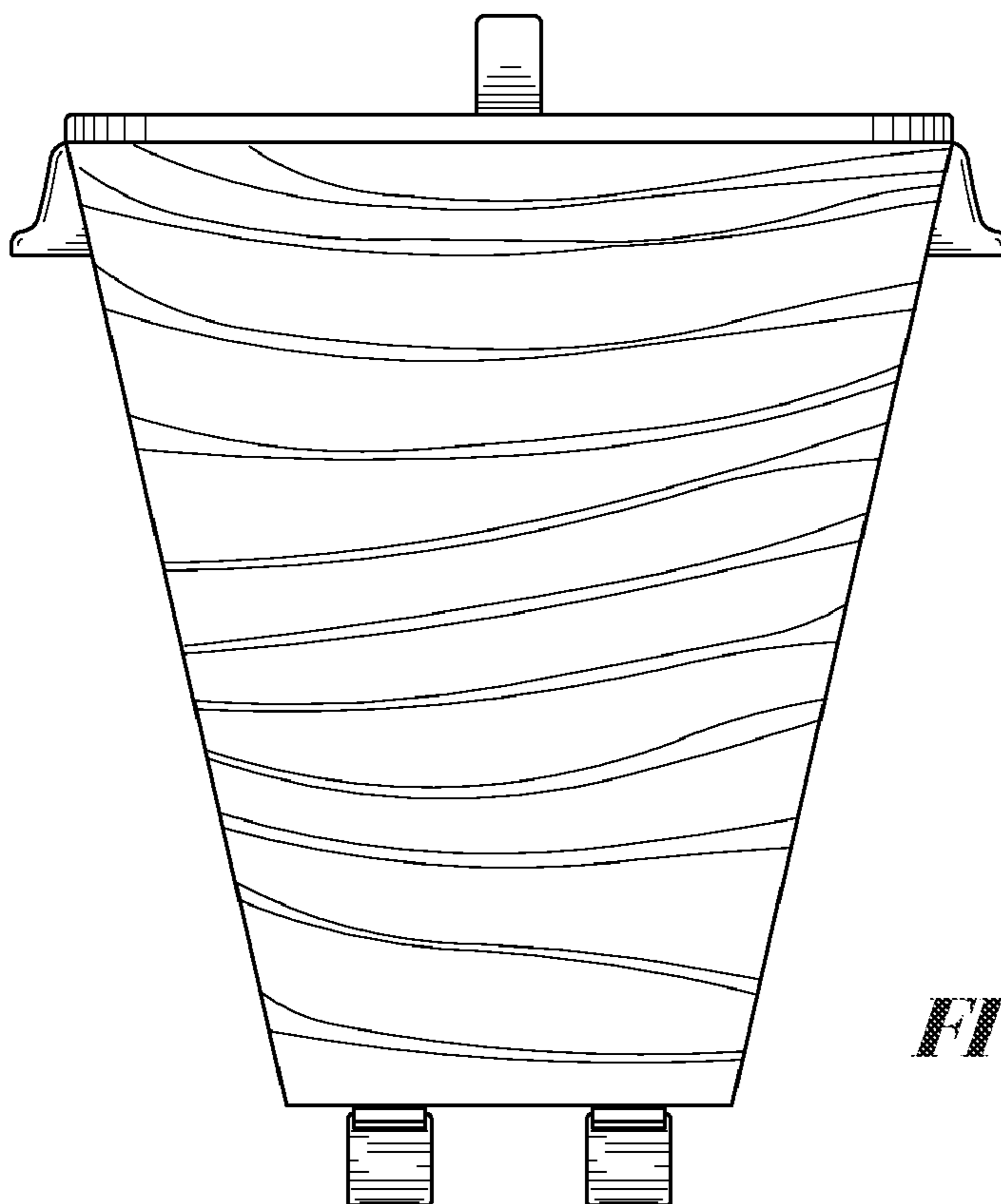


FIG. 5

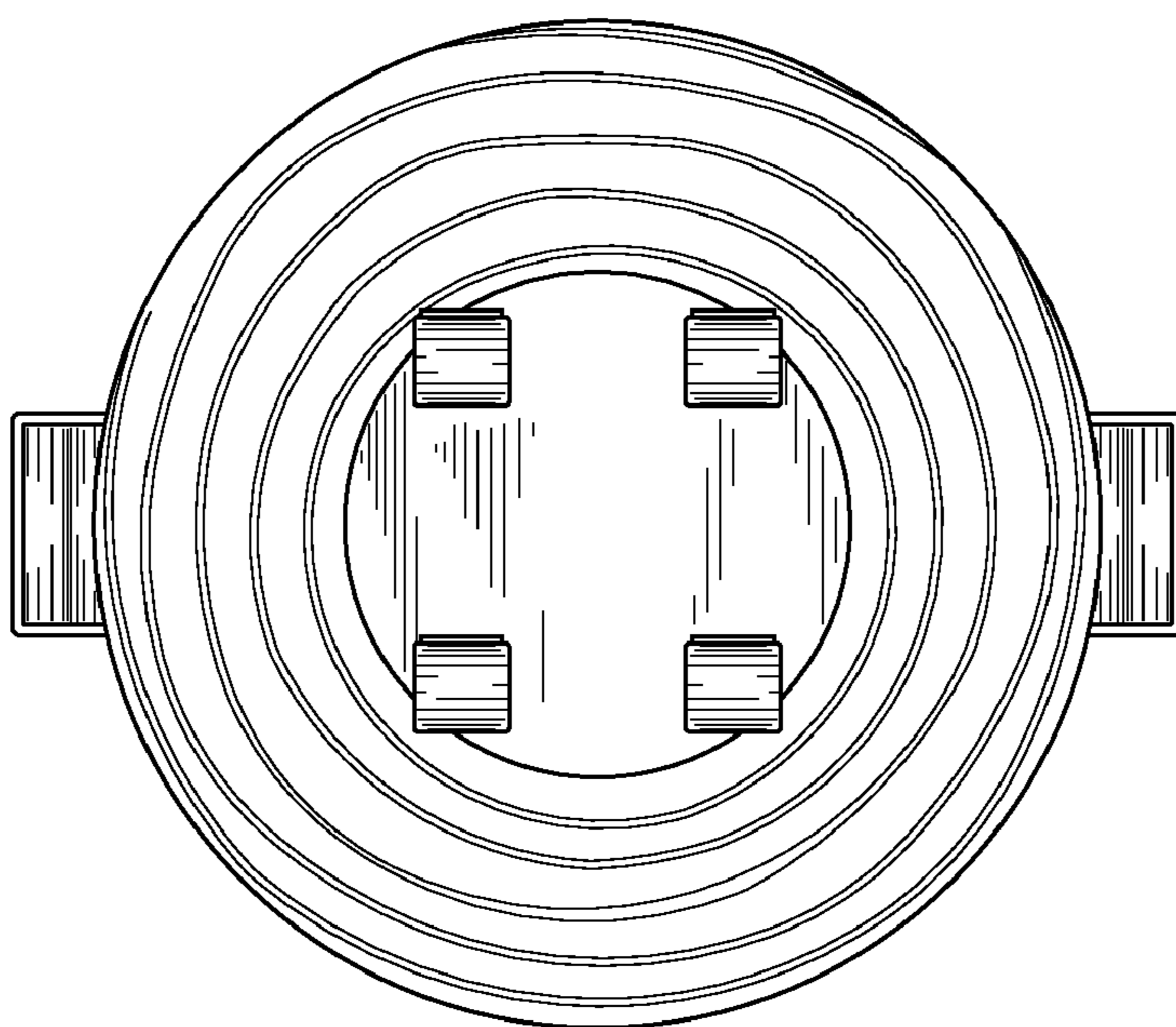


FIG. 6