



US00D613015S

(12) **United States Design Patent**
Manteuffel et al.

(10) **Patent No.:** **US D613,015 S**
(45) **Date of Patent:** **** Mar. 30, 2010**

(54) **BUCKET EDGE CONTOUR**

D544,669 S * 6/2007 Casteel et al. D32/53
D546,514 S * 7/2007 Byrne D32/53

(75) Inventors: **Alison Marie Manteuffel**, St. Louis,
MO (US); **Charles Daniel**, Imperial,
MO (US); **Kenneth Mueller**, Des Peres,
MO (US); **William Vogel**, Mequon, WI
(US)

OTHER PUBLICATIONS

27 lb Tidy Cats container.
30 lb Tidy Cats container.

* cited by examiner

(73) Assignee: **Societe des Produits Nestle S.A.**, Vevey
(CH)

Primary Examiner—Robin V Webster

(74) *Attorney, Agent, or Firm*—Wendell Ray Guffey;
Thompson Coburn

(**) Term: **14 Years**

(21) Appl. No.: **29/296,810**

(57) **CLAIM**

(22) Filed: **Oct. 29, 2007**

The design of the bucket edge contour, as shown and
described.

(51) **LOC (9) Cl.** **07-07**

DESCRIPTION

(52) **U.S. Cl.** **D32/53**

FIG. 1 is a perspective view of the preferred embodiment of a
bucket edge contour in accordance with the invention.

(58) **Field of Classification Search** D32/53,
D32/53.1, 54; 220/904, 908; 15/260, 263,
15/264, 257.06

FIG. 2 is a front view of the bucket edge contour shown in
FIG. 1.

See application file for complete search history.

FIG. 3 is a side view of the bucket edge contour shown in
FIGS. 1 and 2; and,

(56) **References Cited**

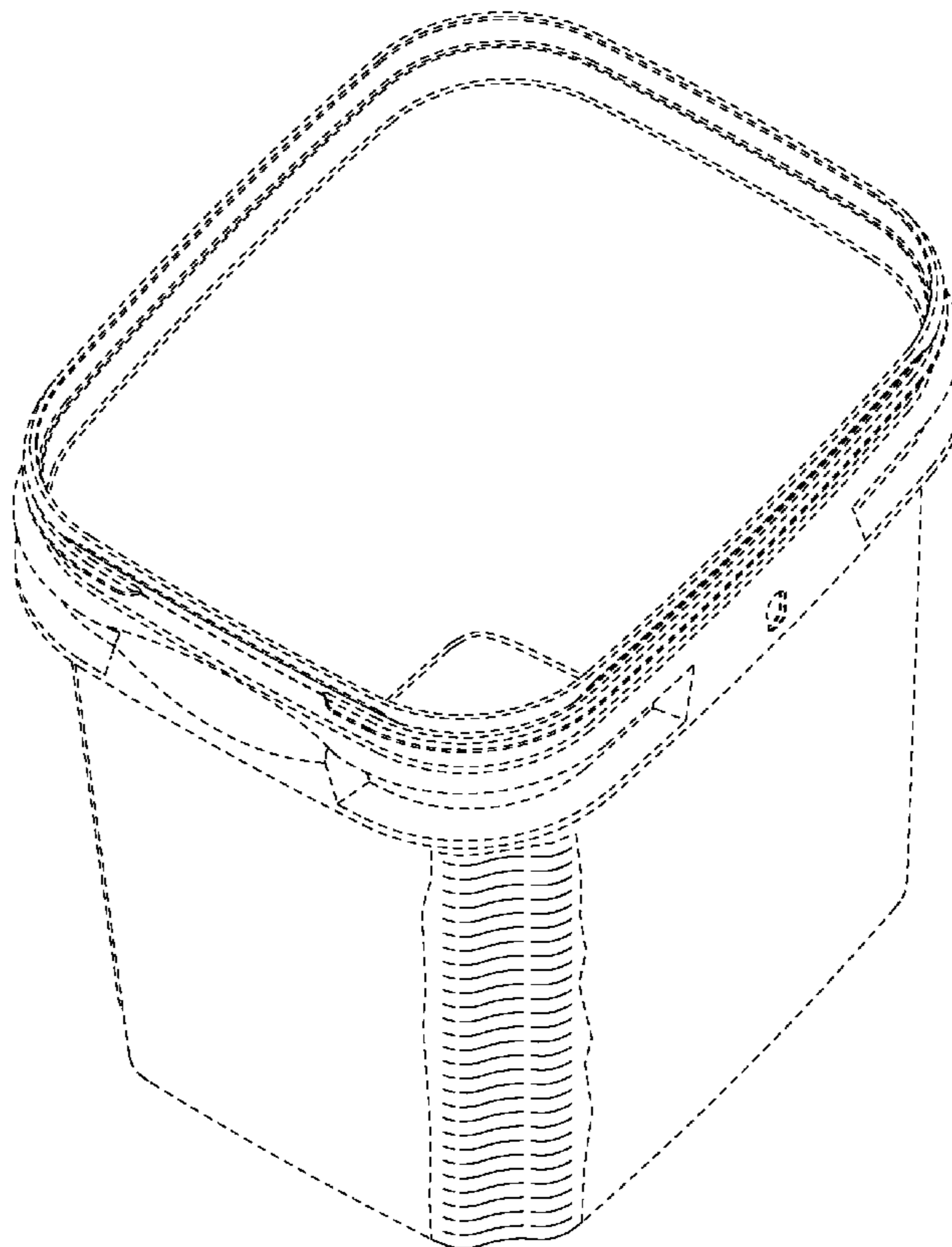
FIG. 4 is a bottom view of the bucket edge contour shown in
FIGS. 1, 2 and 3.

U.S. PATENT DOCUMENTS

D353,241 S * 12/1994 Breen D32/53
D395,531 S * 6/1998 Mandell et al. D32/53
D429,862 S * 8/2000 Houry et al. D32/53
D527,153 S * 8/2006 Morad et al. D32/53
D527,506 S * 8/2006 Camp et al. D32/53

The broken lines shown in the drawing figures are for illus-
trative purpose and form no part of the claimed design.

1 Claim, 4 Drawing Sheets



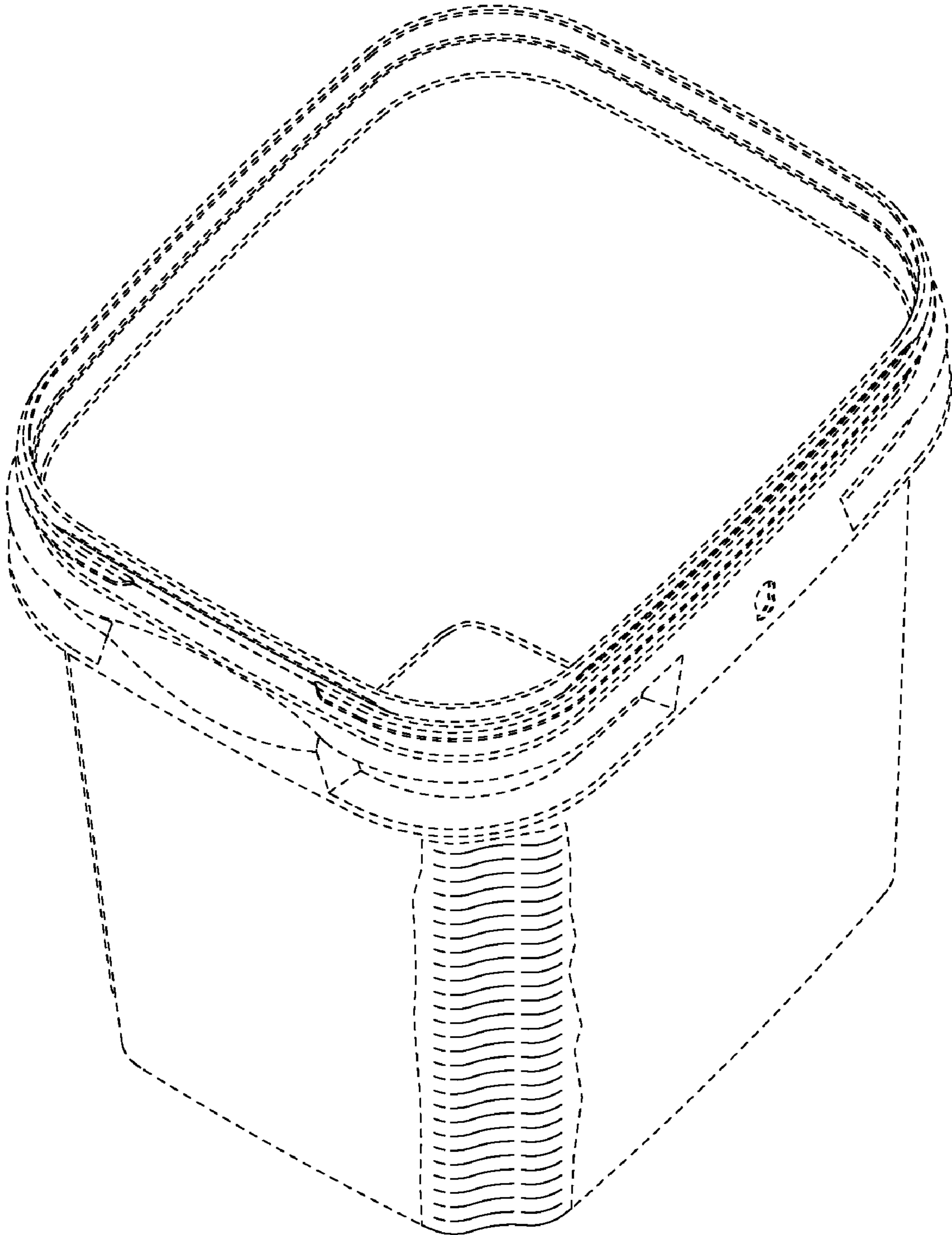


Fig. 1

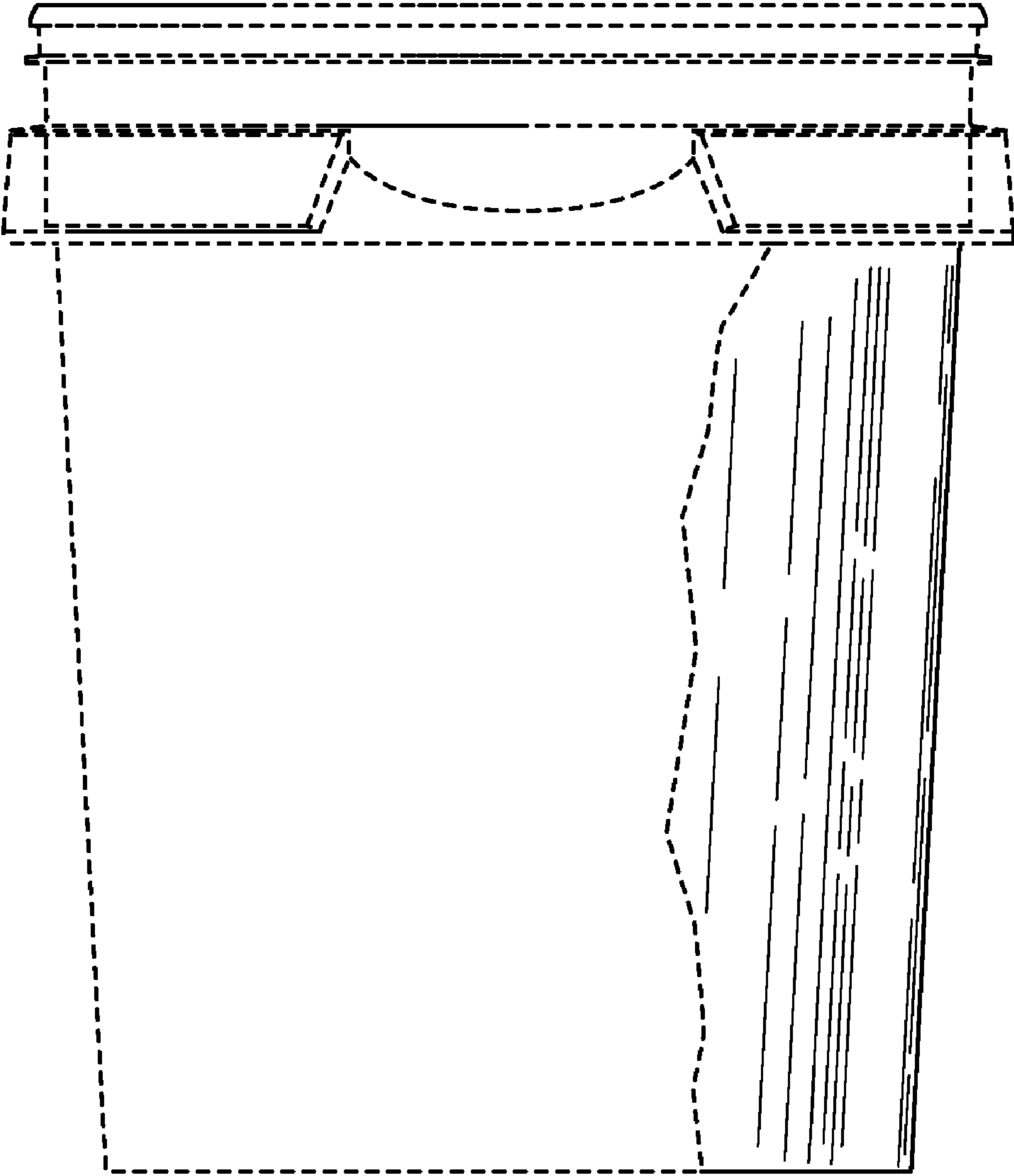


Fig. 2

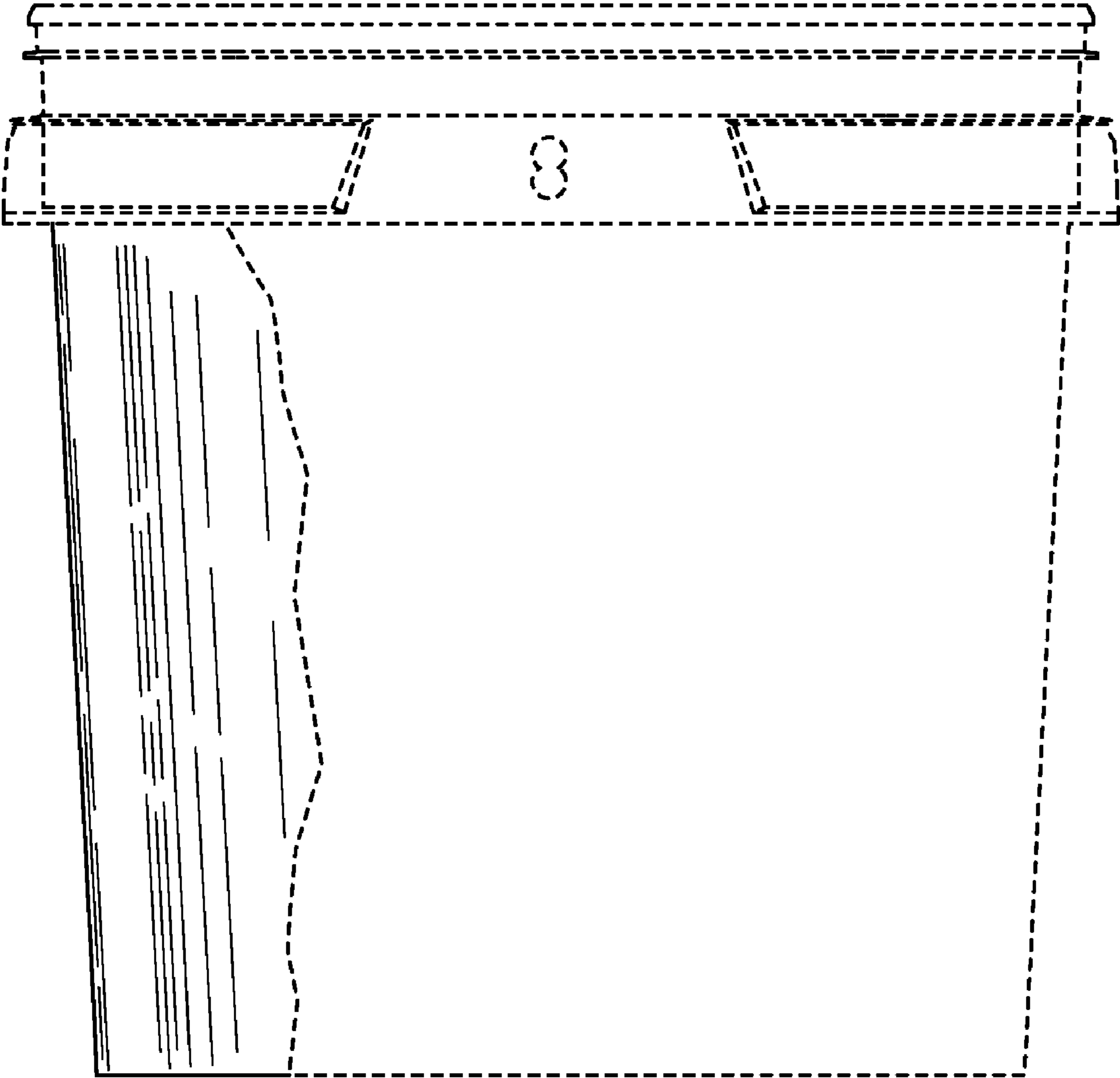


Fig. 3

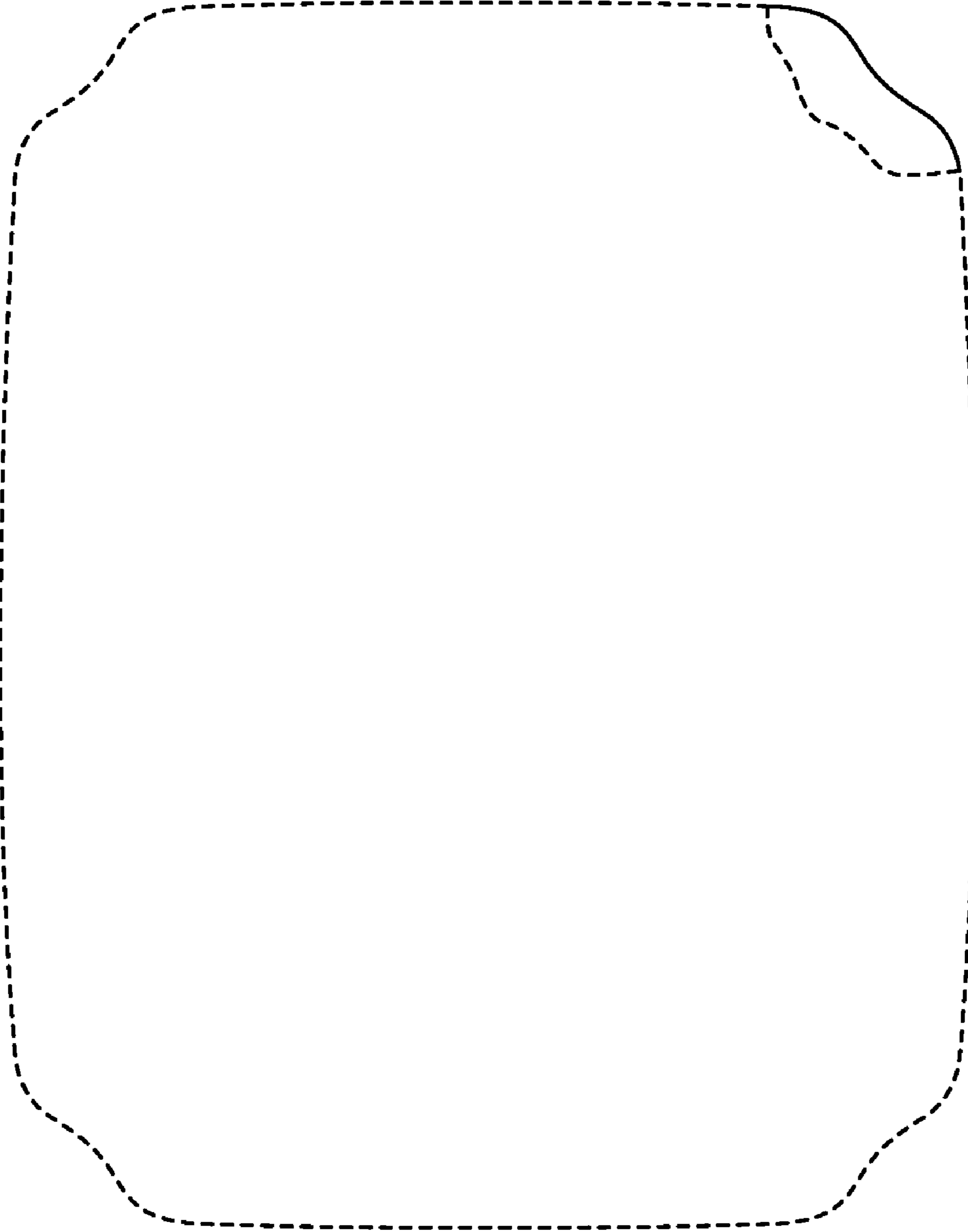


Fig. 4