



US00D613013S

(12) **United States Design Patent**
Renner

(10) **Patent No.:** **US D613,013 S**
(45) **Date of Patent:** **** Mar. 30, 2010**

(54) **WIPER**

(75) Inventor: **Reinhard Renner**, Esslingen (DE)

(73) Assignee: **Leifheit AG**, Nassau/Lahn (DE)

(**) Term: **14 Years**

(21) Appl. No.: **29/328,324**

(22) Filed: **Nov. 21, 2008**

(30) **Foreign Application Priority Data**

May 21, 2008 (WO) DM/070 234

(51) **LOC (9) Cl.** **04-01**

(52) **U.S. Cl.** **D32/51; D32/44**

(58) **Field of Classification Search** D32/50,
D32/40, 51-52, 49; 15/115, 119.2, 116.2,
15/118, 229.3, 229.6-229.8, 228, 220.1;
428/198; 451/515, 190, 209.1, 288, 231

See application file for complete search history.

(56) **References Cited**

U.S. PATENT DOCUMENTS

D302,759	S	*	8/1989	Batchelor	D32/44
D401,703	S	*	11/1998	Beechuk et al.	D32/45
5,888,006	A	*	3/1999	Ping et al.	401/139
5,960,508	A	*	10/1999	Holt et al.	15/228
6,101,661	A	*	8/2000	Politicchio et al.	15/228
6,497,525	B1	*	12/2002	Huang	401/138
D480,188	S	*	9/2003	Blouse	D32/50
D482,829	S	*	11/2003	Vosbikian et al.	D32/45
6,675,426	B2	*	1/2004	Ohm et al.	15/119.2
D490,952	S	*	6/2004	Ajluni	D32/50
D497,699	S	*	10/2004	Chi-Hsiang et al.	D32/45
D515,759	S	*	2/2006	Fischer	D32/45
D564,164	S	*	3/2008	Harper et al.	D32/51
D566,917	S	*	4/2008	Renner	D32/50
D583,118	S	*	12/2008	Snyder	D32/51
D597,718	S	*	8/2009	McNeil et al.	D32/45
2002/0056167	A1	*	5/2002	Ohm et al.	15/119.2
2009/0044358	A1	*	2/2009	Fischer	15/119.1

* cited by examiner

Primary Examiner—Cathron C Brooks
Assistant Examiner—Austin Murphy
(74) *Attorney, Agent, or Firm*—Darby & Darby

(57) **CLAIM**

The ornamental design for a wiper, as shown and described.

DESCRIPTION

FIG. 1 is a top, front, and left side perspective view of the wiper in an open position, showing my new design;

FIG. 2 is a front elevational view thereof;

FIG. 3 is a rear elevational view thereof;

FIG. 4 is a left side elevational view thereof, the right side elevational view being a mirror image;

FIG. 5 is a top plan view thereof;

FIG. 6 is a bottom plan view thereof;

FIG. 7 is a top, front, and left perspective view of the wiper in an angled, open position;

FIG. 8 is a top, front, and left side perspective view of the wiper in a partially closed position;

FIG. 9 is a front elevational view thereof;

FIG. 10 is a rear elevational view thereof;

FIG. 11 is a left side elevational view thereof, the right side elevational view being a mirror image;

FIG. 12 is a top plan view thereof;

FIG. 13 is a bottom plan view thereof;

FIG. 14 is a top, front, and left side perspective view of the wiper in a closed position;

FIG. 15 is a front elevational view thereof;

FIG. 16 is a rear elevational view thereof;

FIG. 17 is a left side elevational view thereof, the right side elevational view being a mirror image;

FIG. 18 is a top plan view thereof; and,

FIG. 19 is a bottom plan view thereof.

1 Claim, 10 Drawing Sheets

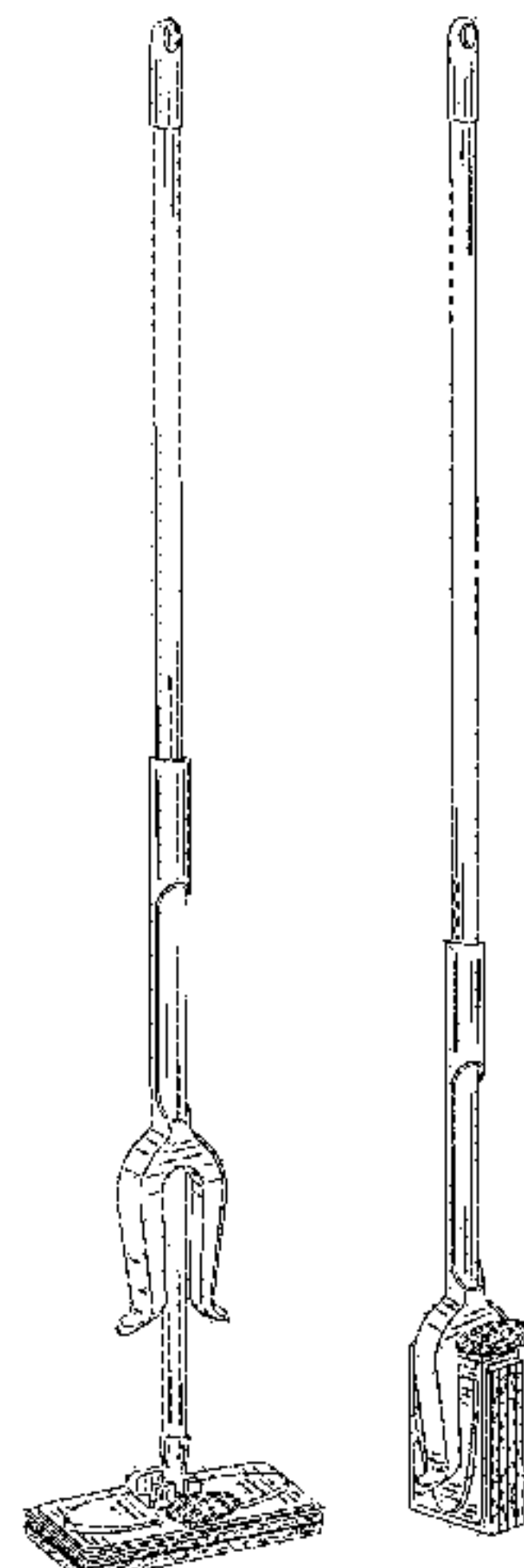


FIG. 1

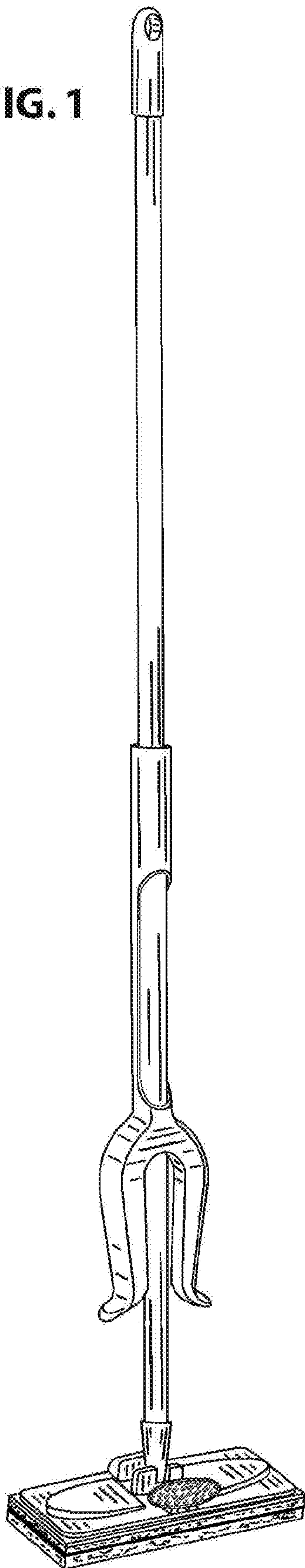


FIG. 2

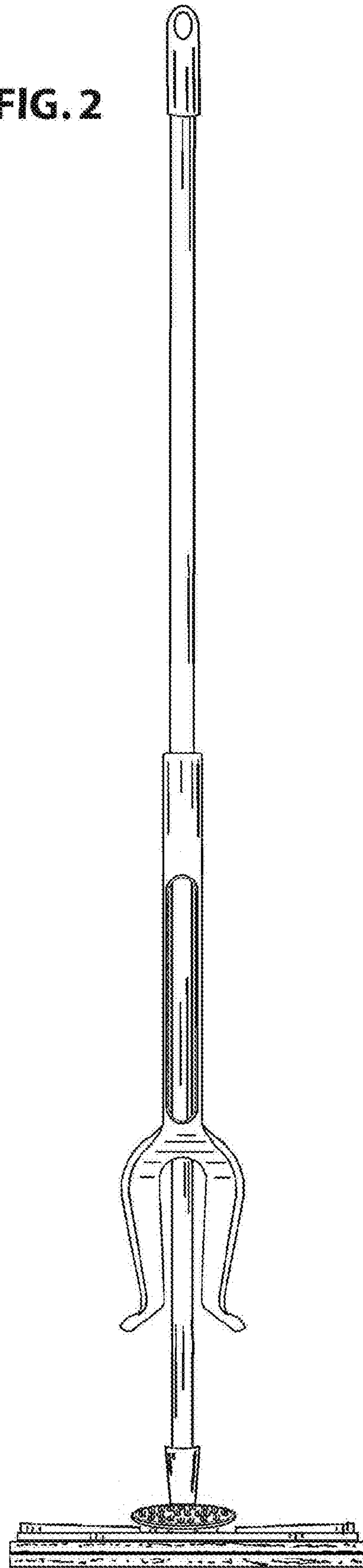


FIG. 3

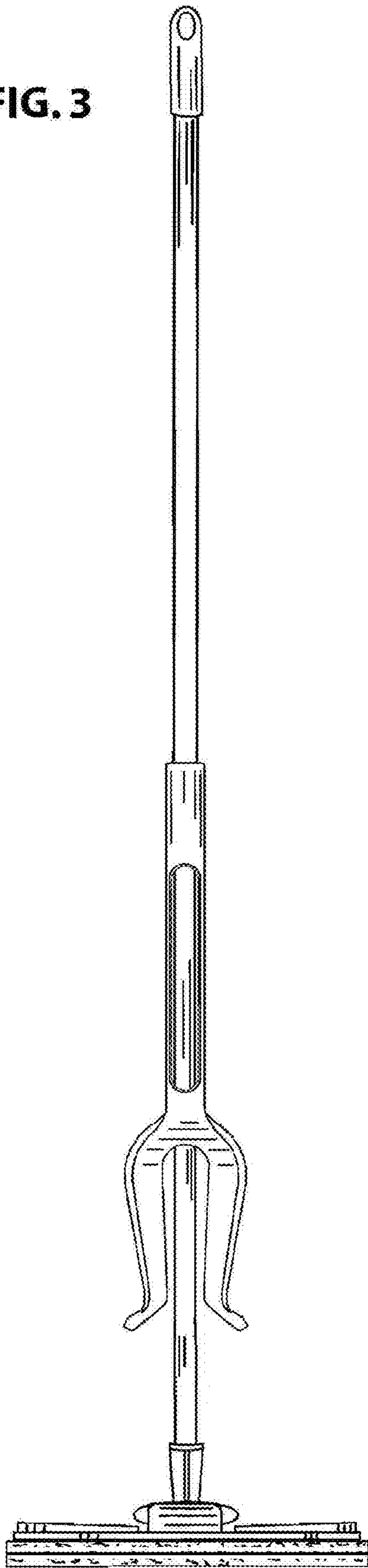
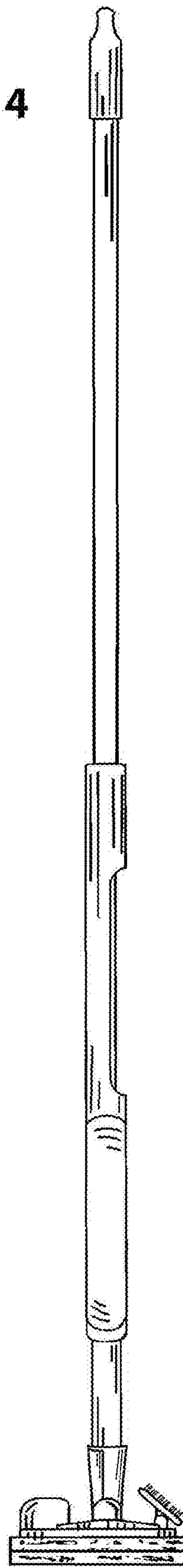


FIG. 4



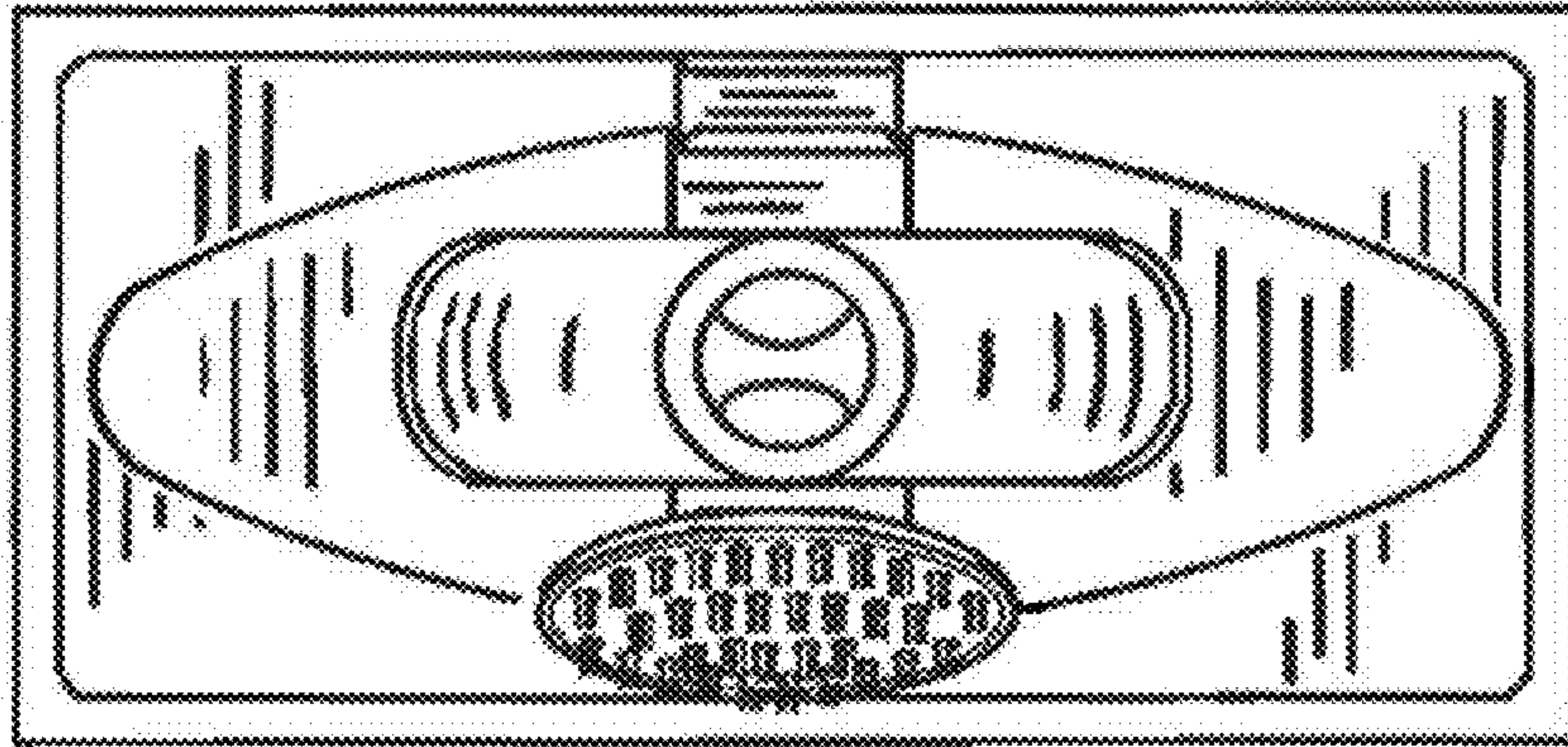


FIG. 5

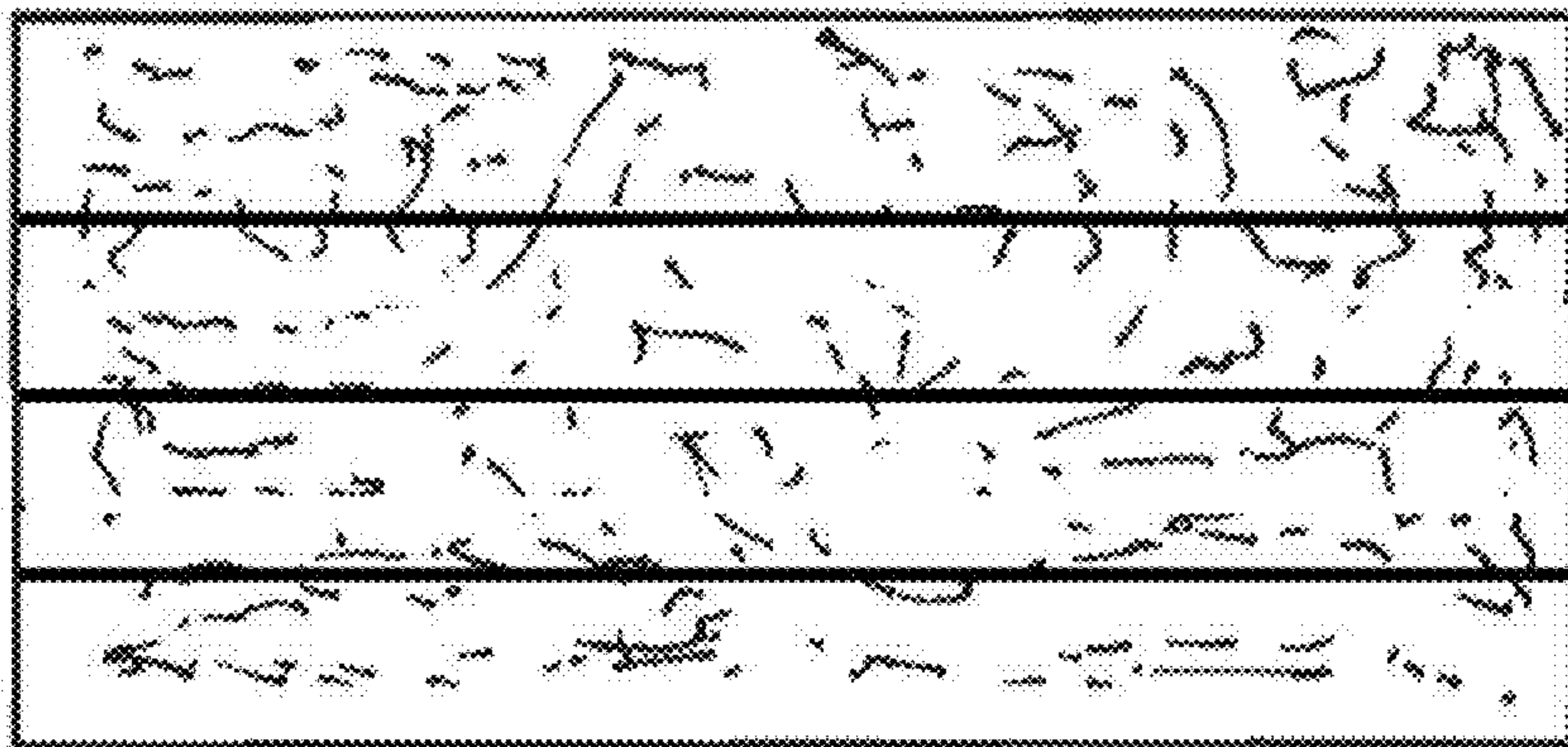
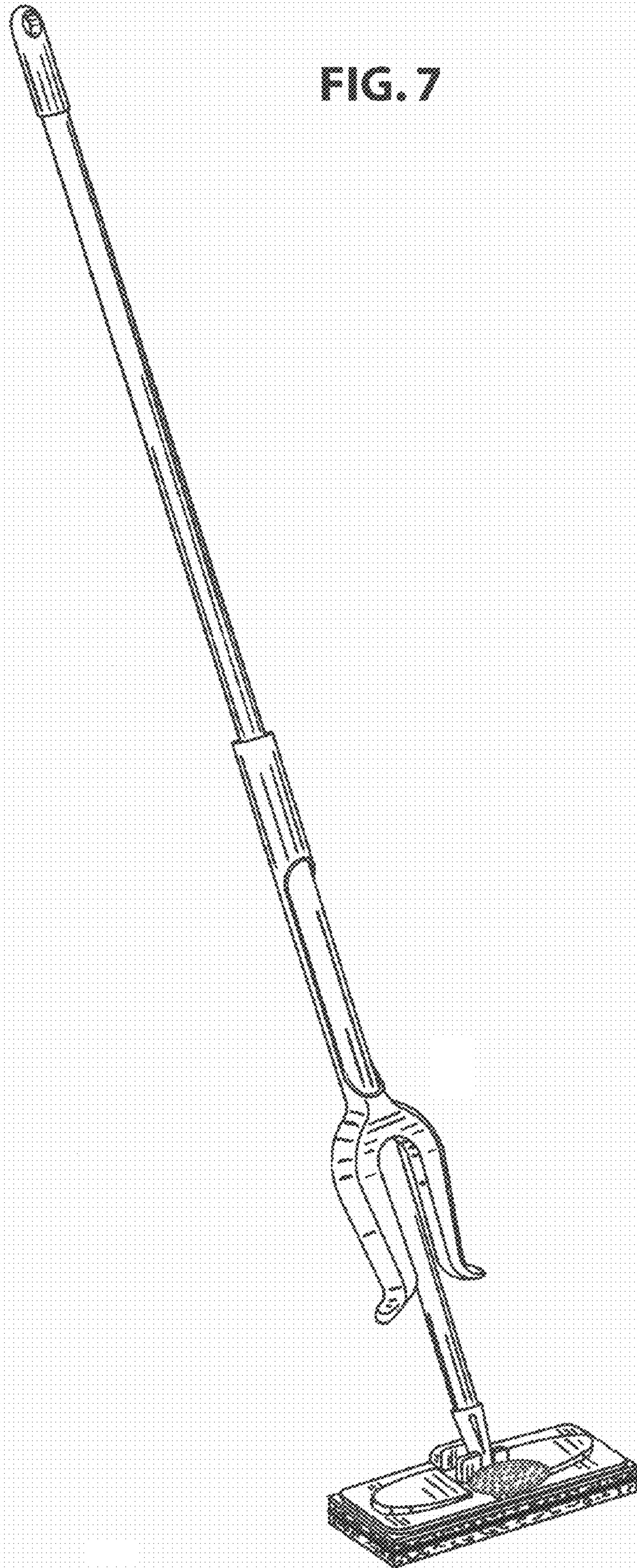
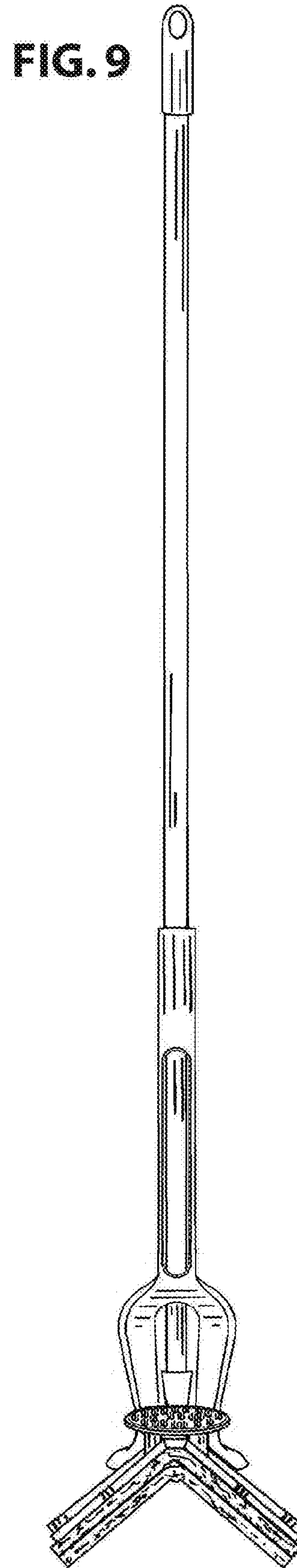
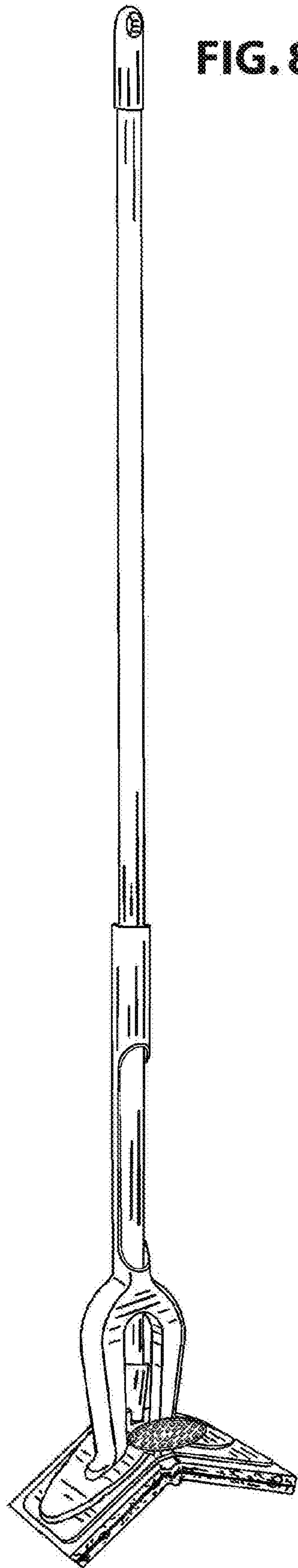


FIG. 6

FIG. 7





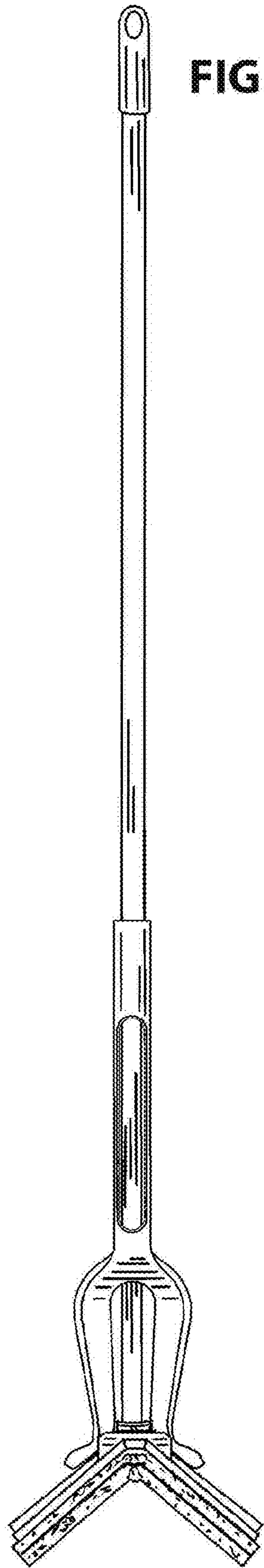


FIG. 10

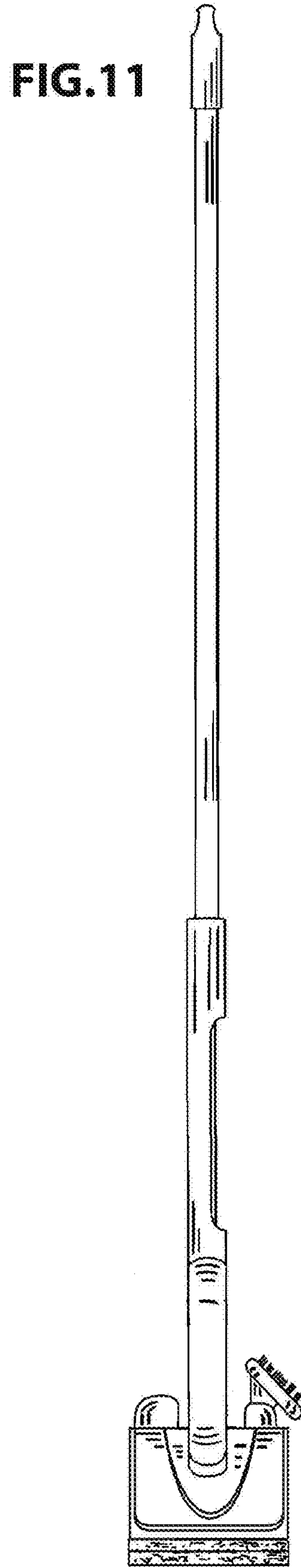


FIG. 11

FIG. 12

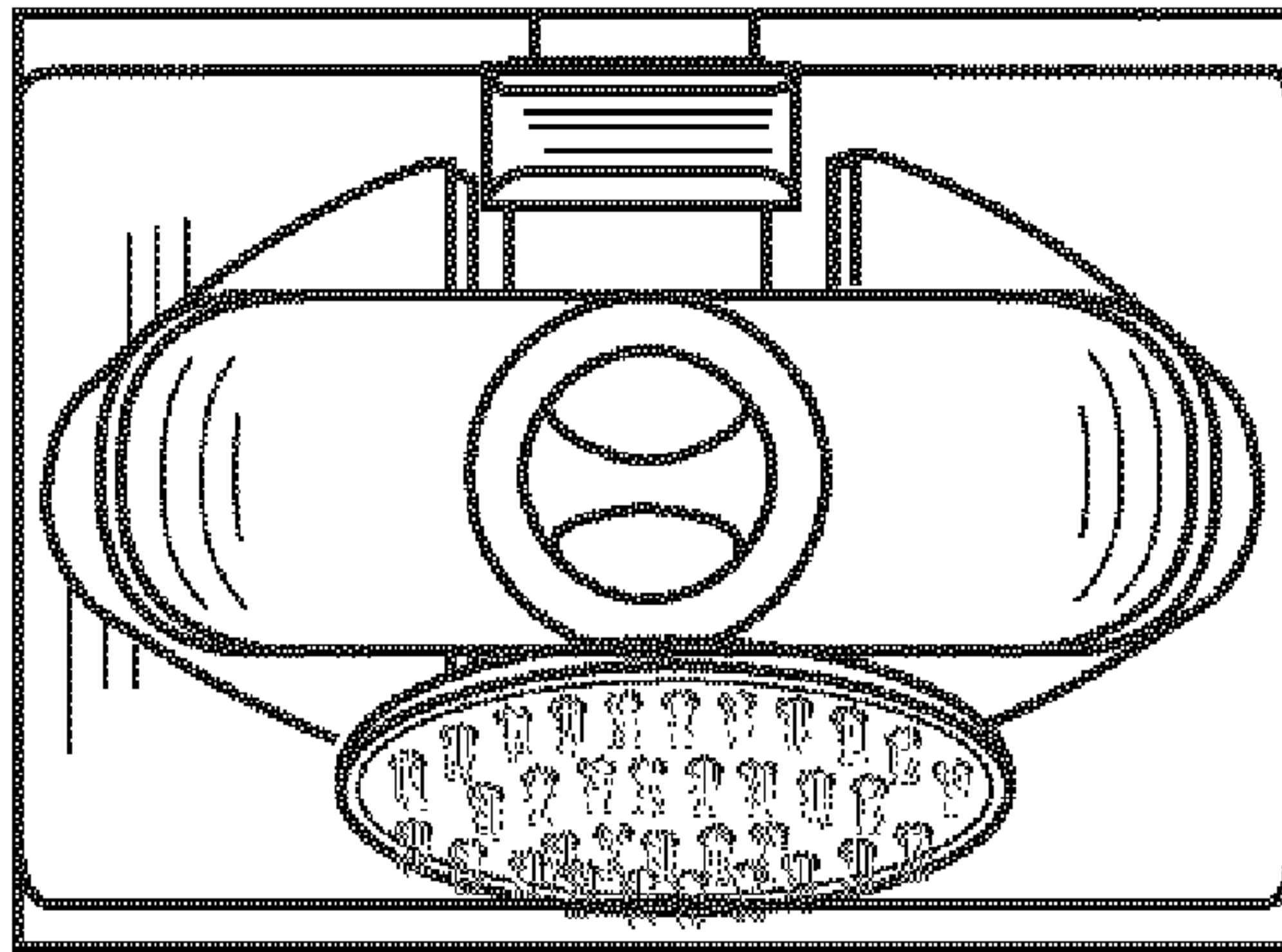
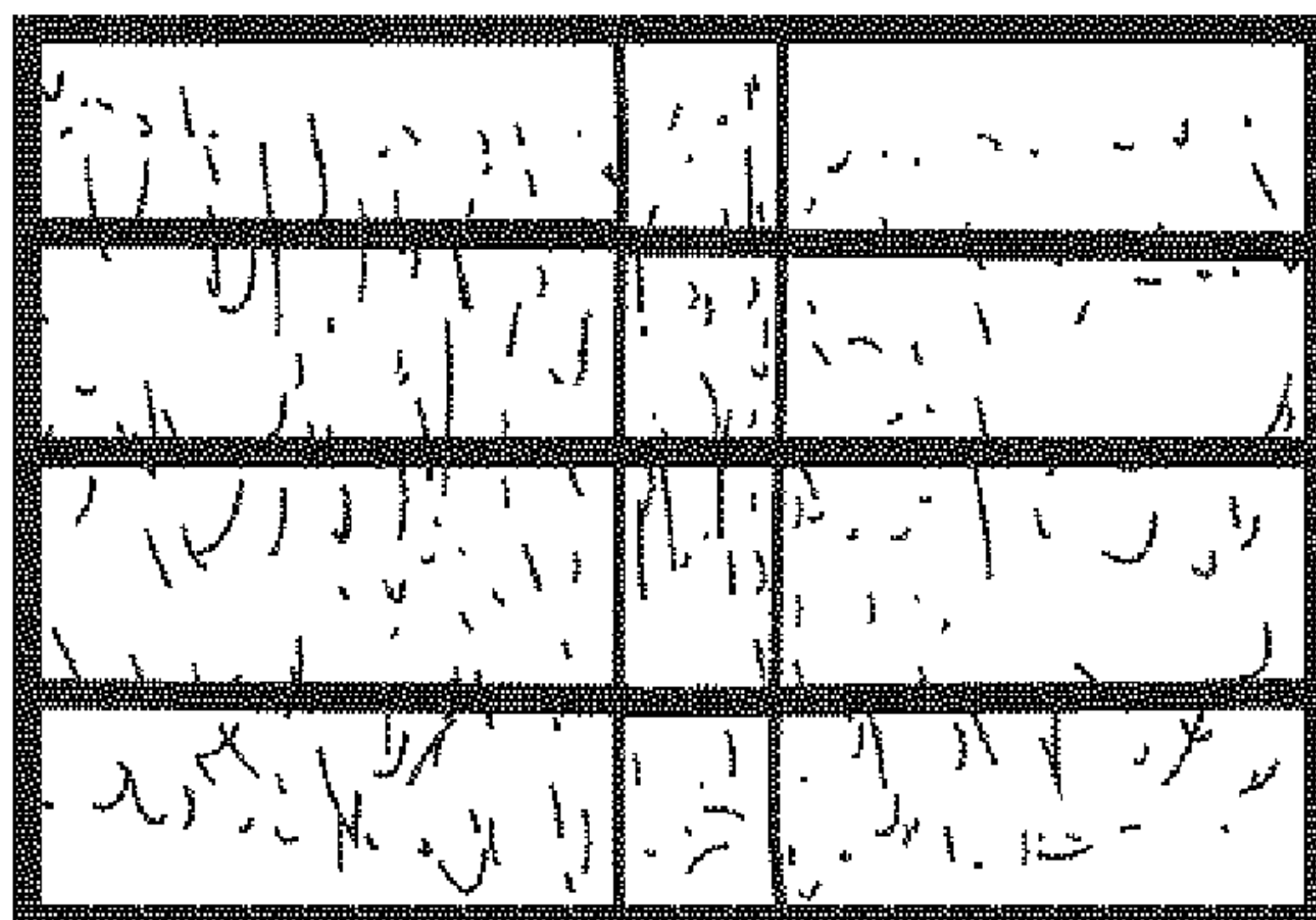


FIG. 13



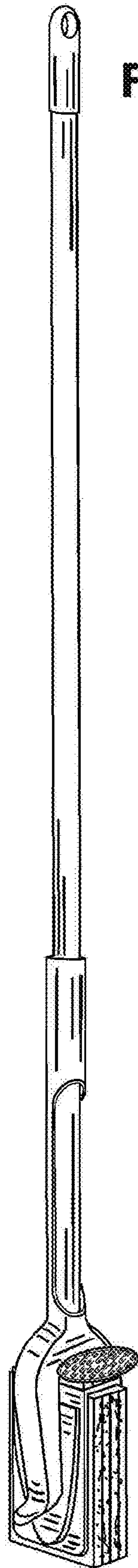
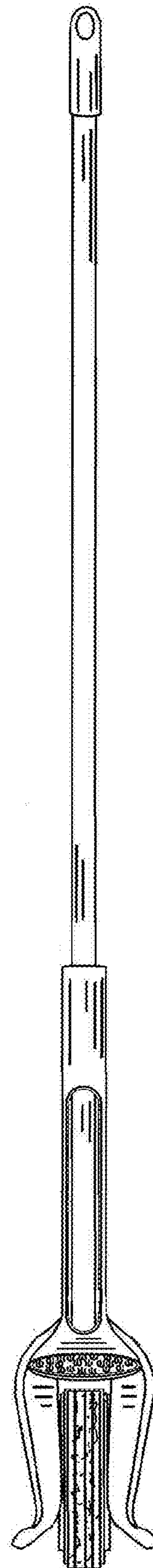


FIG. 14

FIG. 15



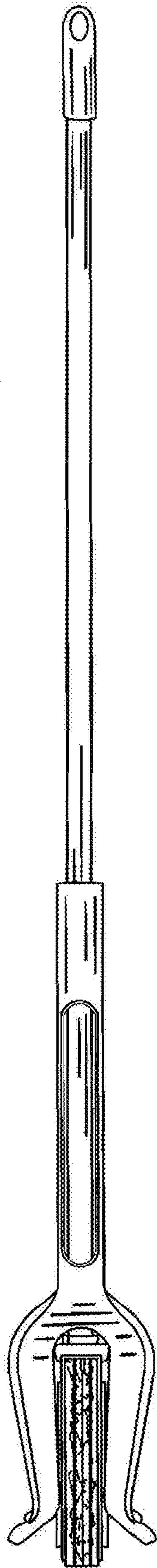


Fig. 16

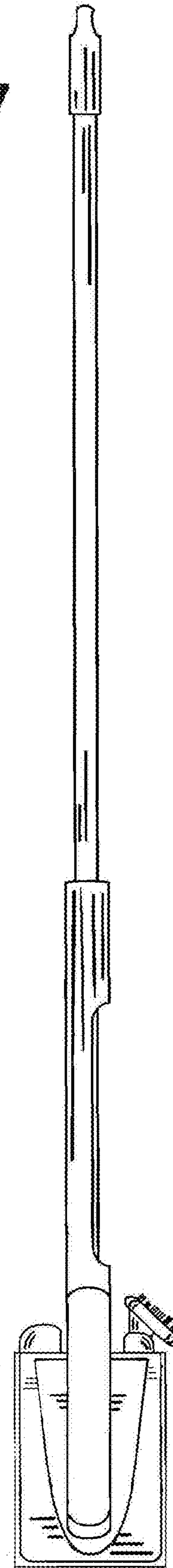


Fig. 17

FIG. 18

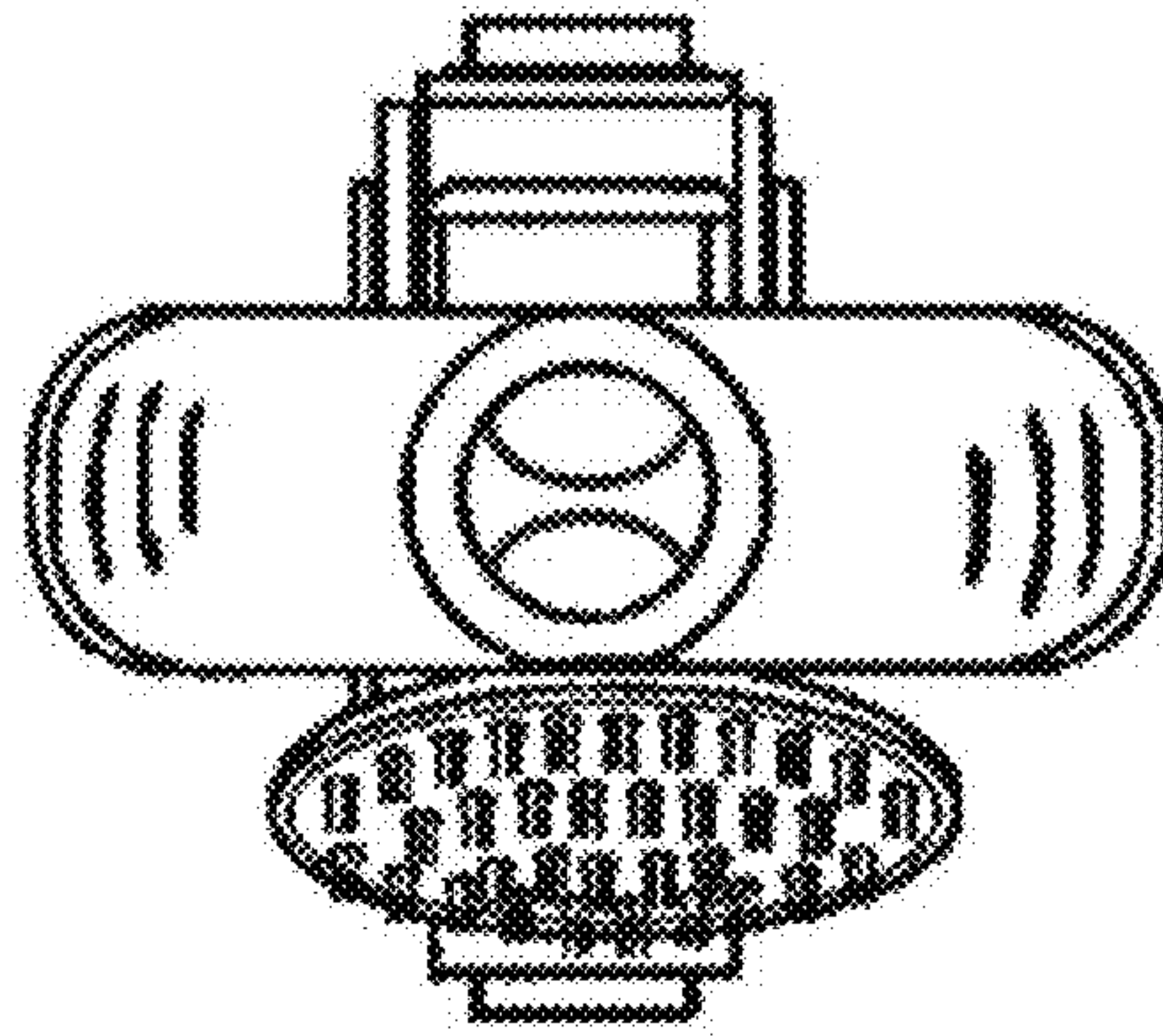


FIG. 19

