



US00D613012S

(12) **United States Design Patent**  
**Uhlig**

(10) **Patent No.:** **US D613,012 S**  
(45) **Date of Patent:** **\*\* Mar. 30, 2010**

(54) **GUTTER CLEANER TOOL**

(76) Inventor: **James S. Uhlig**, 4115 N. 700 E.,  
Leesburg, IN (US) 46538

(\*\*) Term: **14 Years**

(21) Appl. No.: **29/326,505**

(22) Filed: **Oct. 20, 2008**

(51) **LOC (9) Cl.** ..... **08-05**

(52) **U.S. Cl.** ..... **D32/49**

(58) **Field of Classification Search** ..... D32/40,  
D32/46, 49; D8/10, 11, 1; 239/532; 15/236.04,  
15/143.1, 144.1, 144.3, 144.4, 236.01, 245.1;  
30/169, 171

See application file for complete search history.

(56) **References Cited**

**U.S. PATENT DOCUMENTS**

587,088	A *	7/1897	Chambling	.....	172/381
1,268,734	A	6/1918	Lay		
2,817,867	A	12/1957	Bugbird		
3,626,542	A	12/1971	Despain et al.		
D247,303	S	2/1978	Boyd		
D249,010	S	8/1978	Currie		
4,502,806	A	3/1985	Albertson		
4,550,943	A *	11/1985	Mirto	.....	294/54.5
4,726,090	A	2/1988	Kilpatrick		
4,848,818	A	7/1989	Smith		
4,930,824	A	6/1990	Matthews et al.		
D310,590	S *	9/1990	Williams, Jr.	.....	D32/49
5,288,118	A *	2/1994	Hartselle, III	.....	294/19.1
D350,603	S *	9/1994	Firlik	.....	D24/119
D391,815	S *	3/1998	Venezio	.....	D8/13
D392,781	S	3/1998	McKnight		
5,988,715	A	11/1999	Mason		
D443,961	S *	6/2001	McKnight	.....	D32/35
D461,106	S *	8/2002	Stryd et al.	.....	D8/10
D463,961	S	10/2002	Hoshyla		
6,497,317	B1	12/2002	Chun		

6,526,619	B1	3/2003	Cassels, Jr.		
D492,890	S	7/2004	Adams		
6,842,937	B2	1/2005	Li		
6,925,676	B2	8/2005	Heavner et al.		
6,941,610	B2	9/2005	Reed, Jr.		
D547,627	S *	7/2007	Meads	.....	D8/45
7,260,866	B2 *	8/2007	Hubbard	.....	15/236.04
2003/0051305	A1 *	3/2003	Hewlett	.....	15/236.04

\* cited by examiner

*Primary Examiner*—Cynthia E Ramirez

(74) *Attorney, Agent, or Firm*—Botkin & Hall, LLP

(57) **CLAIM**

The ornamental design for a gutter cleaner tool, as shown and described.

**DESCRIPTION**

FIG. 1 is perspective view of the gutter cleaner tool showing my new design, the handle is partially cut away for illustrative purposes, the broken line gutter is shown for illustrative purposes only and forms no part of the claimed invention;

FIG. 2 is perspective view of the gutter cleaner tool with the handle partially cut away for illustrative purposes;

FIG. 3 is a side view of the design, the opposite side being a mirror image;

FIG. 4 is a top view of the design with the handle partially cut away for illustrative purposes;

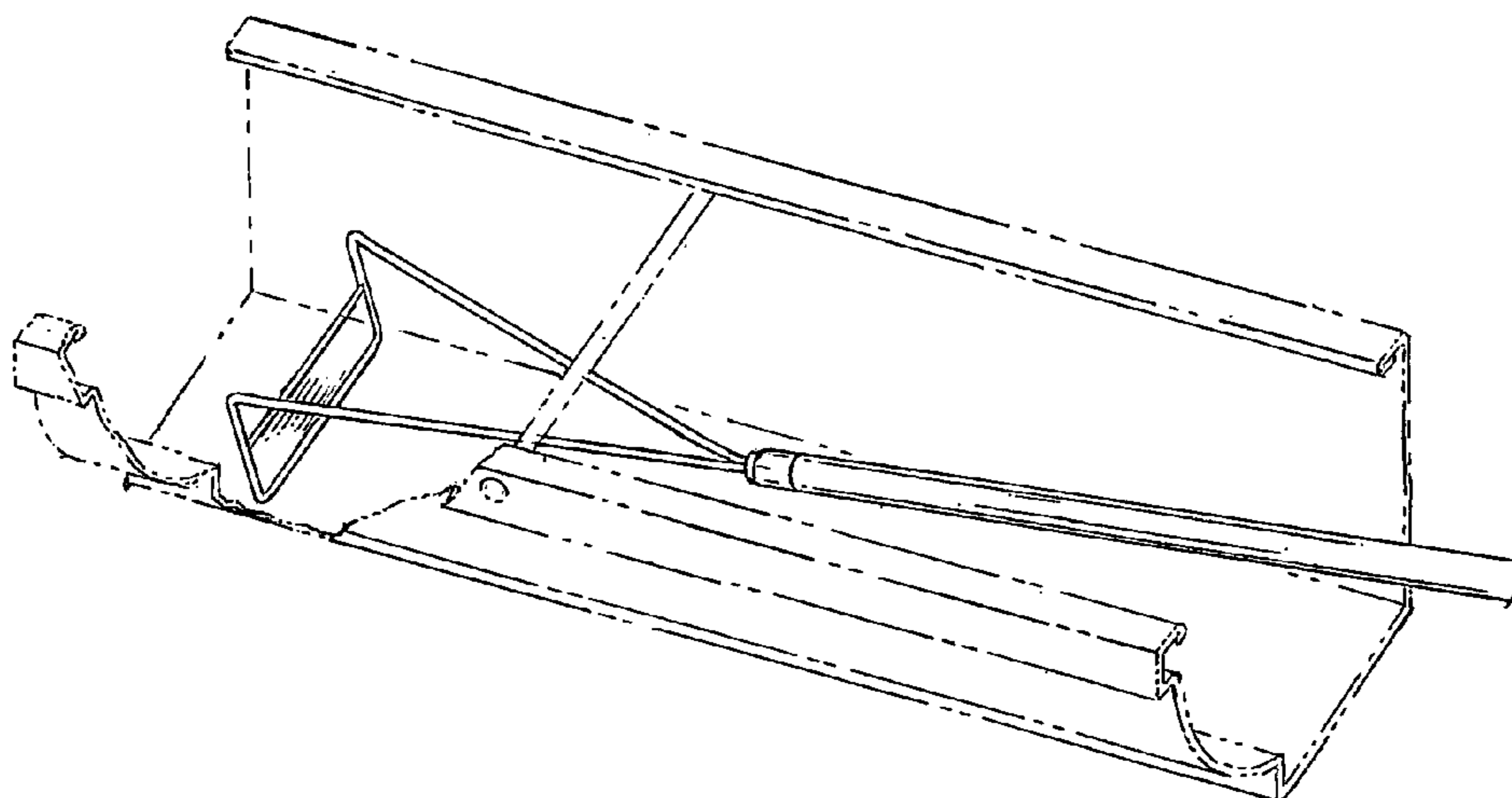
FIG. 5 is a side view of the design with the handle partially cut away, the opposite side being a mirror image;

FIG. 6 is a bottom view of the design with the handle partially cut away;

FIG. 7 is an end view of the design as seen from the left of FIG. 3; and,

FIG. 8 is another end view of the design as seen from the right of FIG. 3.

**1 Claim, 2 Drawing Sheets**



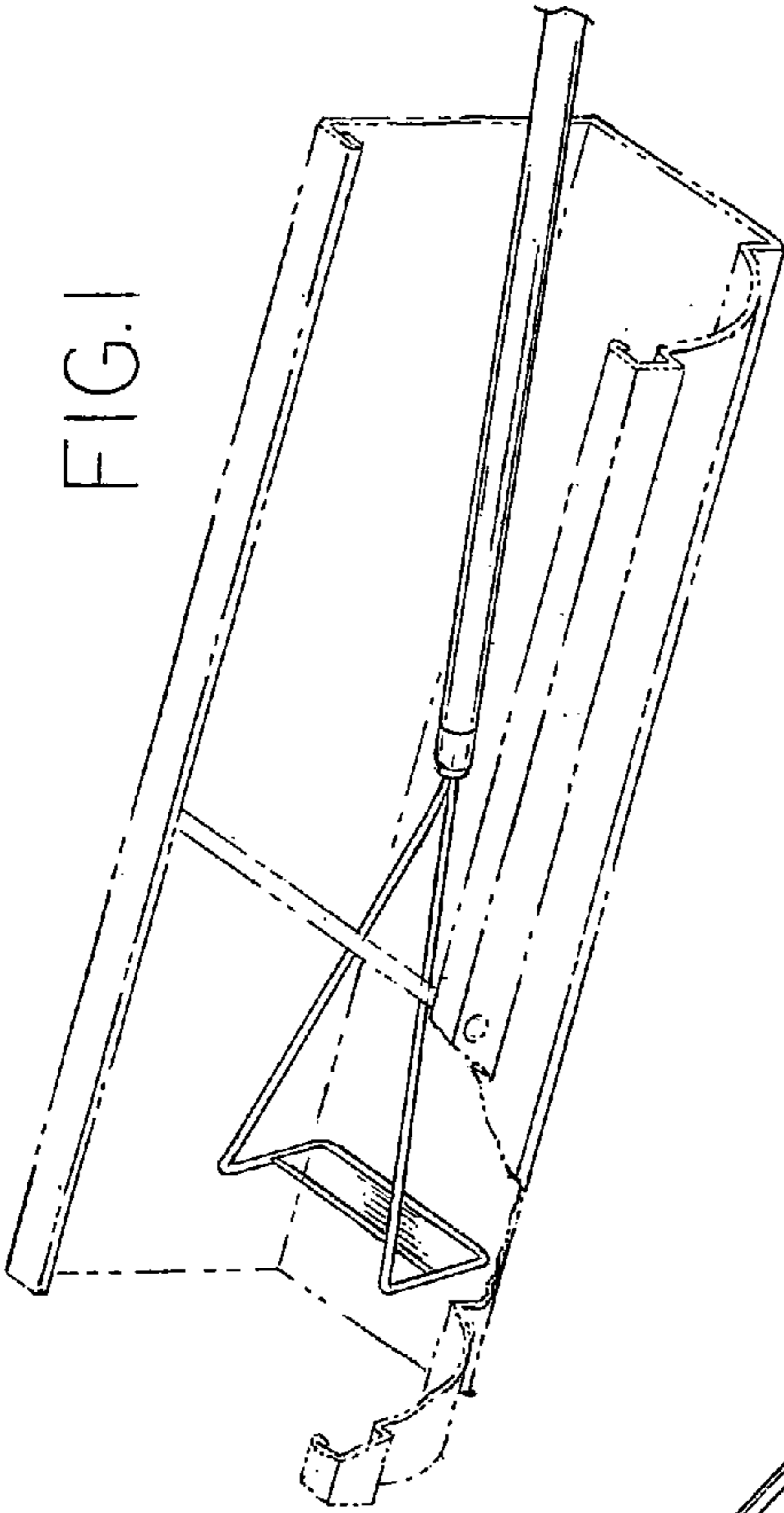


FIG. 1

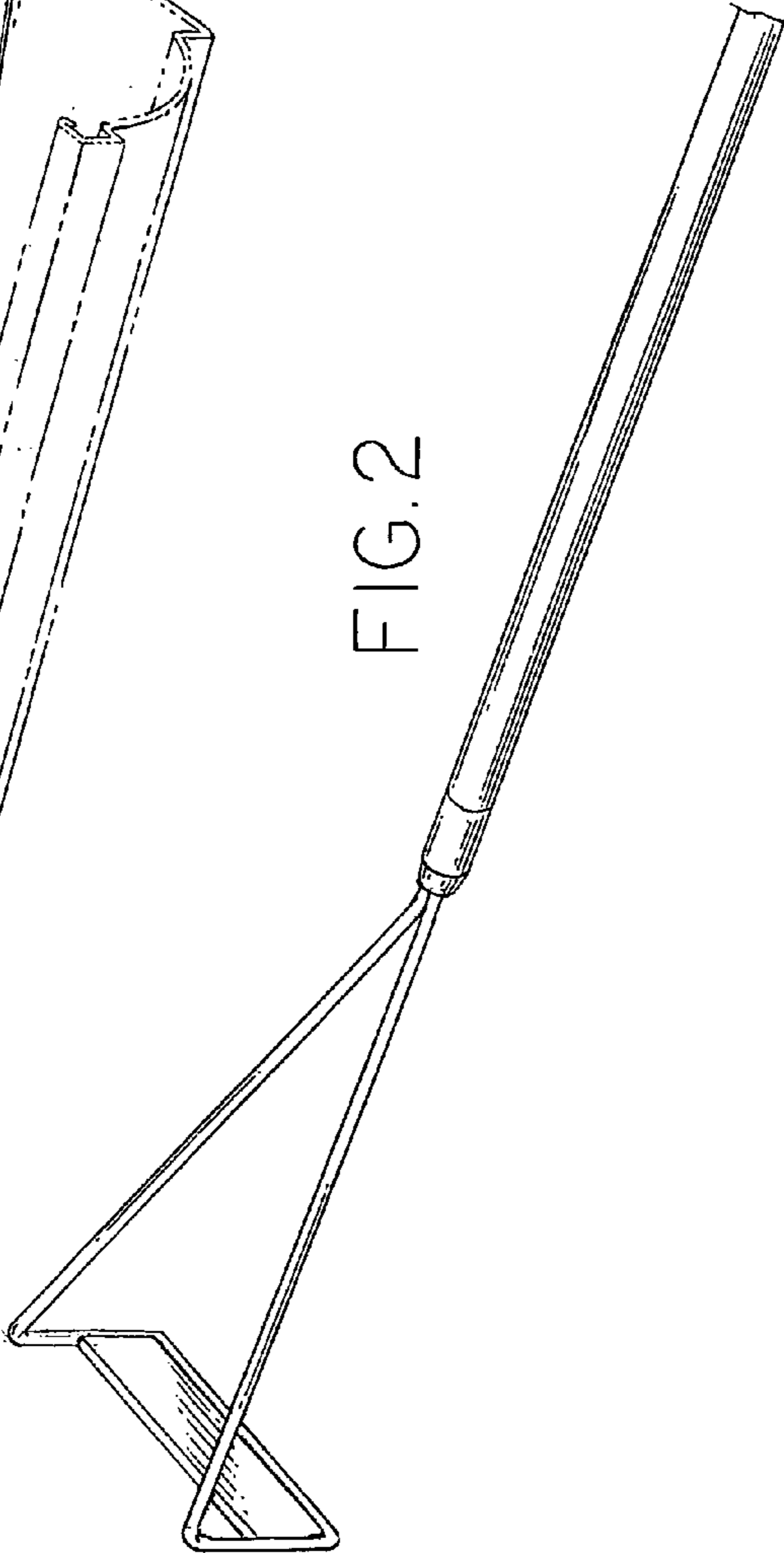


FIG. 2

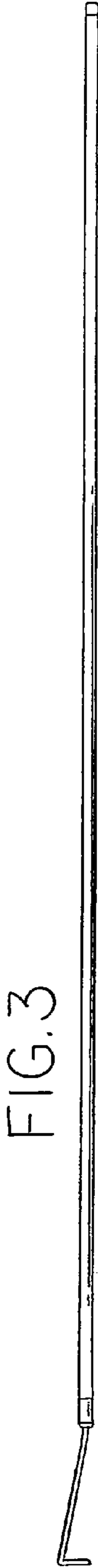


FIG. 3

FIG.4

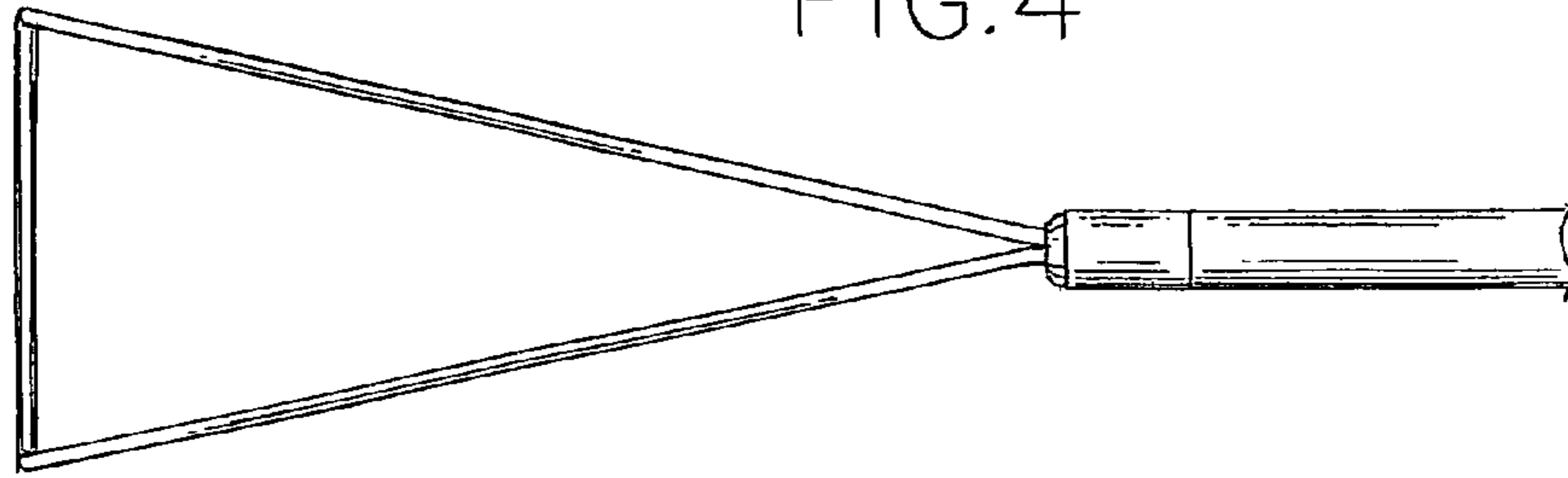


FIG.5



FIG.6

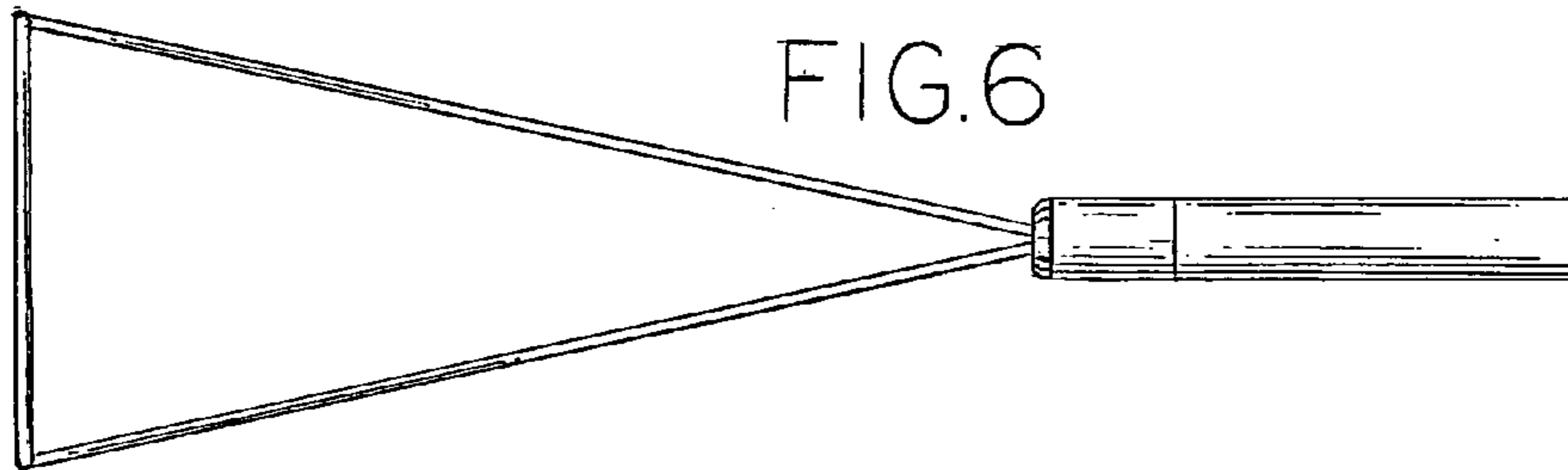


FIG.7

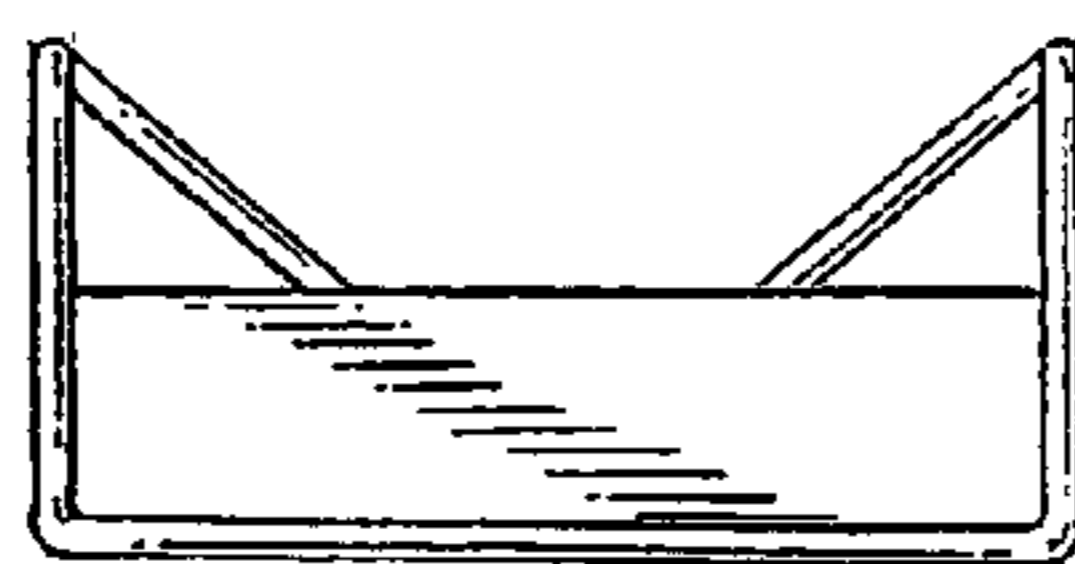


FIG.8

