



US00D613008S

(12) **United States Design Patent**
Ullmann

(10) **Patent No.:** **US D613,008 S**
(45) **Date of Patent:** **** Mar. 30, 2010**

(54) **CLEANING DEVICE FOR AN ELECTRIC SHAVER**

2005/0034313 A1* 2/2005 Hoser et al. 30/457
2006/0042103 A1* 3/2006 Chasen 30/537
2006/0048802 A1* 3/2006 Kappes et al. 134/184

(75) Inventor: **Roland Ullmann**, Offenbach (DE)

* cited by examiner

(73) Assignee: **Braun GmbH**, Kronberg (DE)

Primary Examiner—T. Chase Nelson
Assistant Examiner—Kathleen M Sims

(**) Term: **14 Years**

(74) *Attorney, Agent, or Firm*—Leonard W Lewis

(21) Appl. No.: **29/308,313**

(57) **CLAIM**

(22) Filed: **Jun. 10, 2008**

The ornamental design for a cleaning device for an electric shaver, as shown and described.

(30) **Foreign Application Priority Data**

DESCRIPTION

Dec. 10, 2007 (DE) 4 07 06 067

(51) **LOC (9) Cl.** **15-05**

FIG. 1 is a perspective view of a cleaning device for an electric shaver from above, showing my new design;

(52) **U.S. Cl.** **D32/1**

FIG. 2 is a front view thereof;

(58) **Field of Classification Search** D32/1,
D32/5; 30/537–538; D28/44, 73–74; 134/135
See application file for complete search history.

FIG. 3 is a side view thereof;

(56) **References Cited**

FIG. 4 is a an opposite side view thereof;

U.S. PATENT DOCUMENTS

FIG. 5 is a rear view thereof;

D449,708 S * 10/2001 Ullmann D28/44

FIG. 6 is a top plan view thereof; and,

D512,530 S * 12/2005 Hartwein et al. D28/44

FIG. 7 is a bottom plan view thereof.

D513,341 S * 12/2005 Ullmann D28/44

The broken line showing of details in FIGS. 4–6 is included for the purpose of showing environmental portions of the cleaning device for an electronic shaver and forms no part of the claimed design.

7,002,091 B2 * 2/2006 Hoser et al. 200/520

7,107,692 B2 * 9/2006 Kappes et al. 30/538

D561,940 S * 2/2008 Ullmann D28/44

7,487,786 B2 * 2/2009 Hoser et al. 134/166 R

2004/0194326 A1 * 10/2004 Kappes et al. 30/537

1 Claim, 7 Drawing Sheets

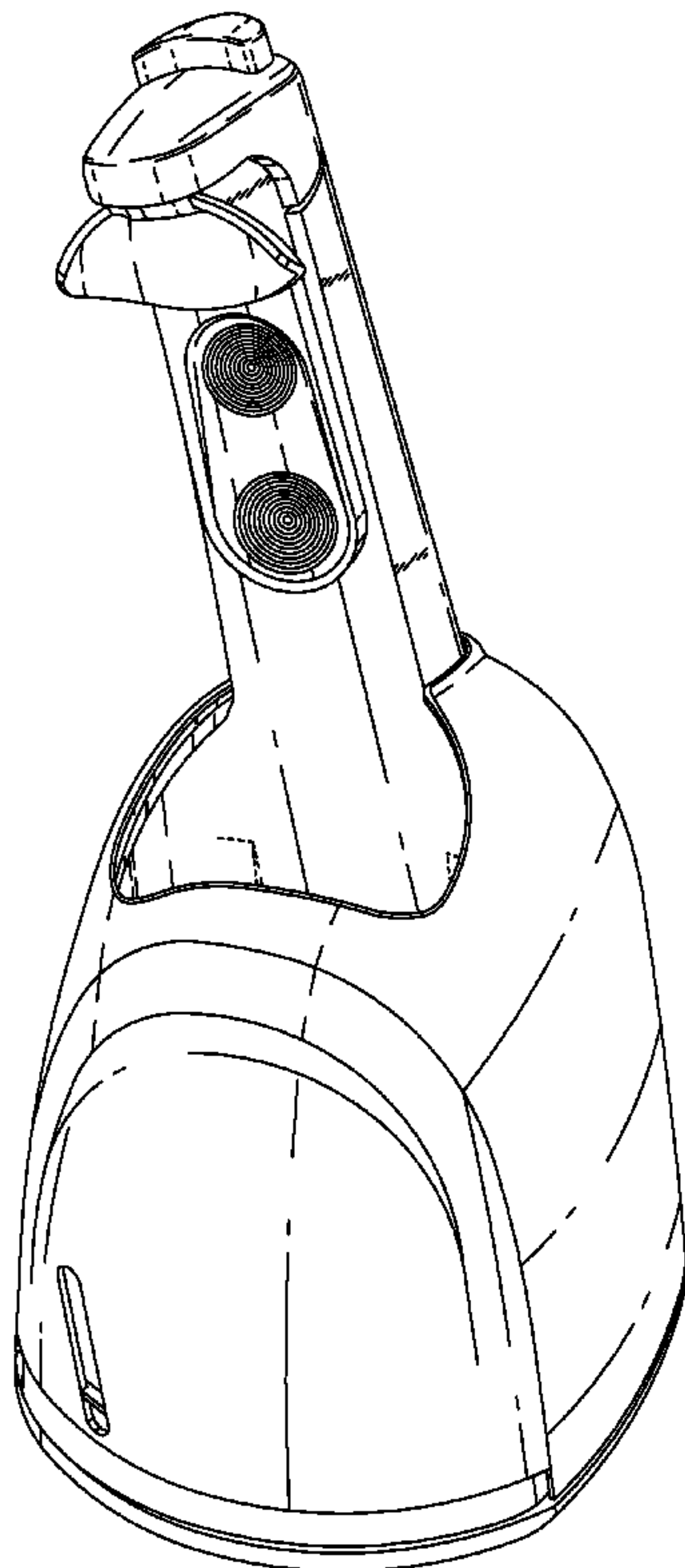


Fig. 1

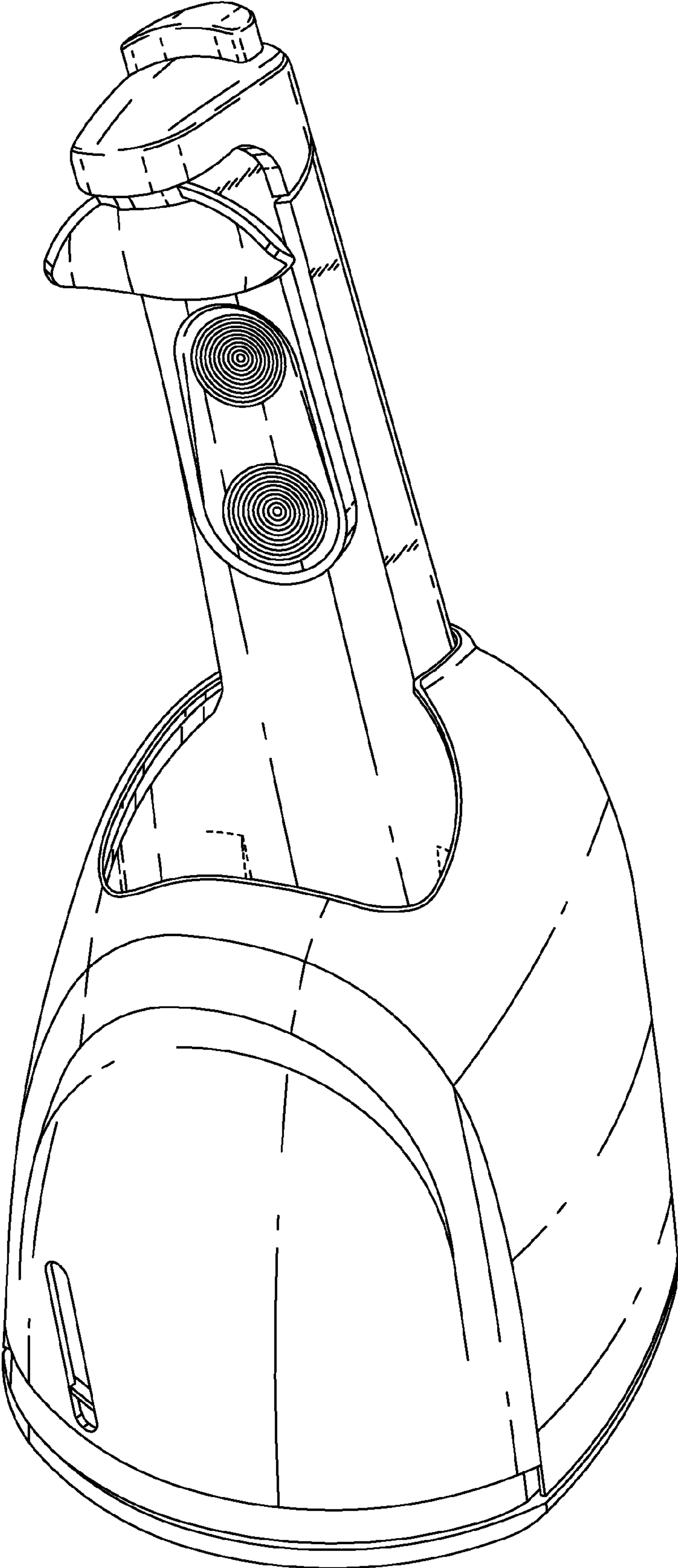
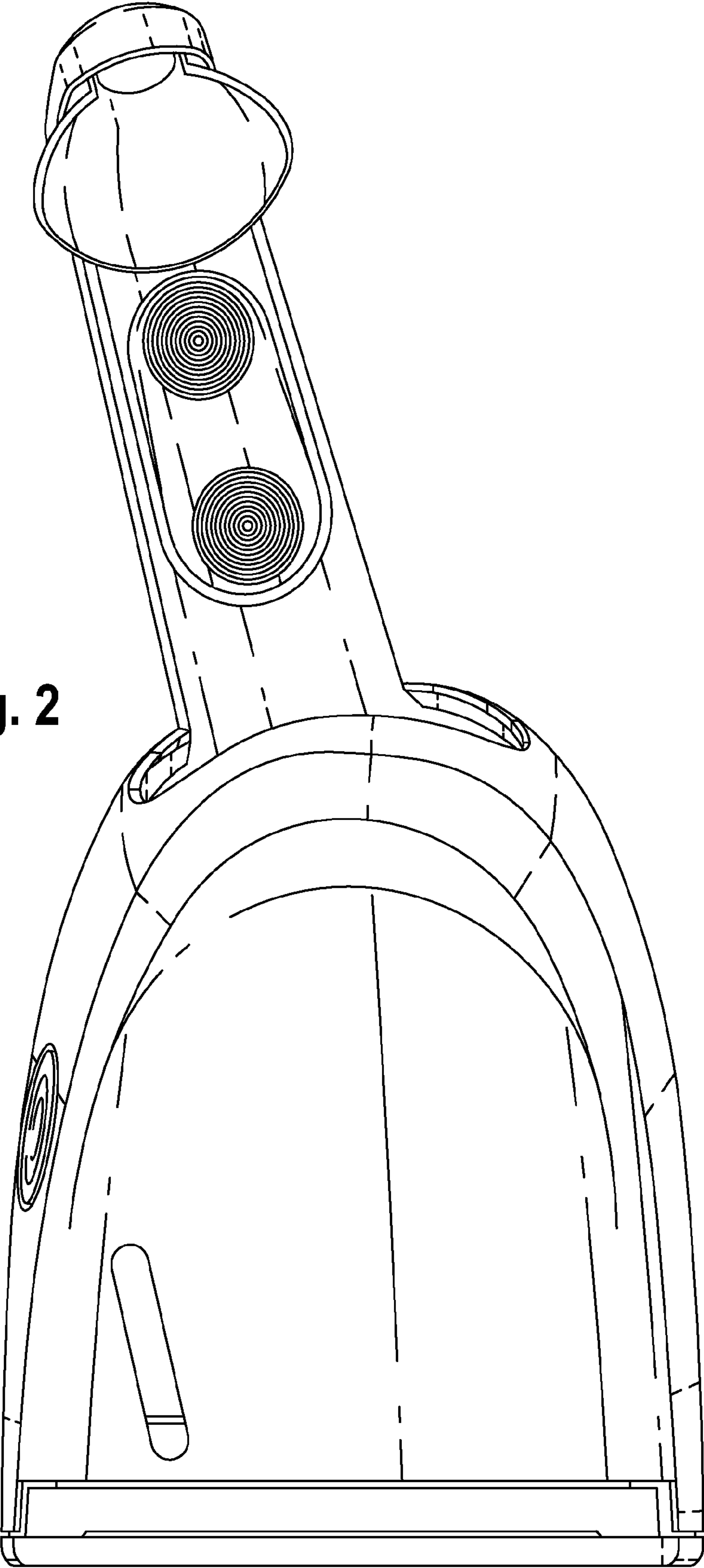


Fig. 2



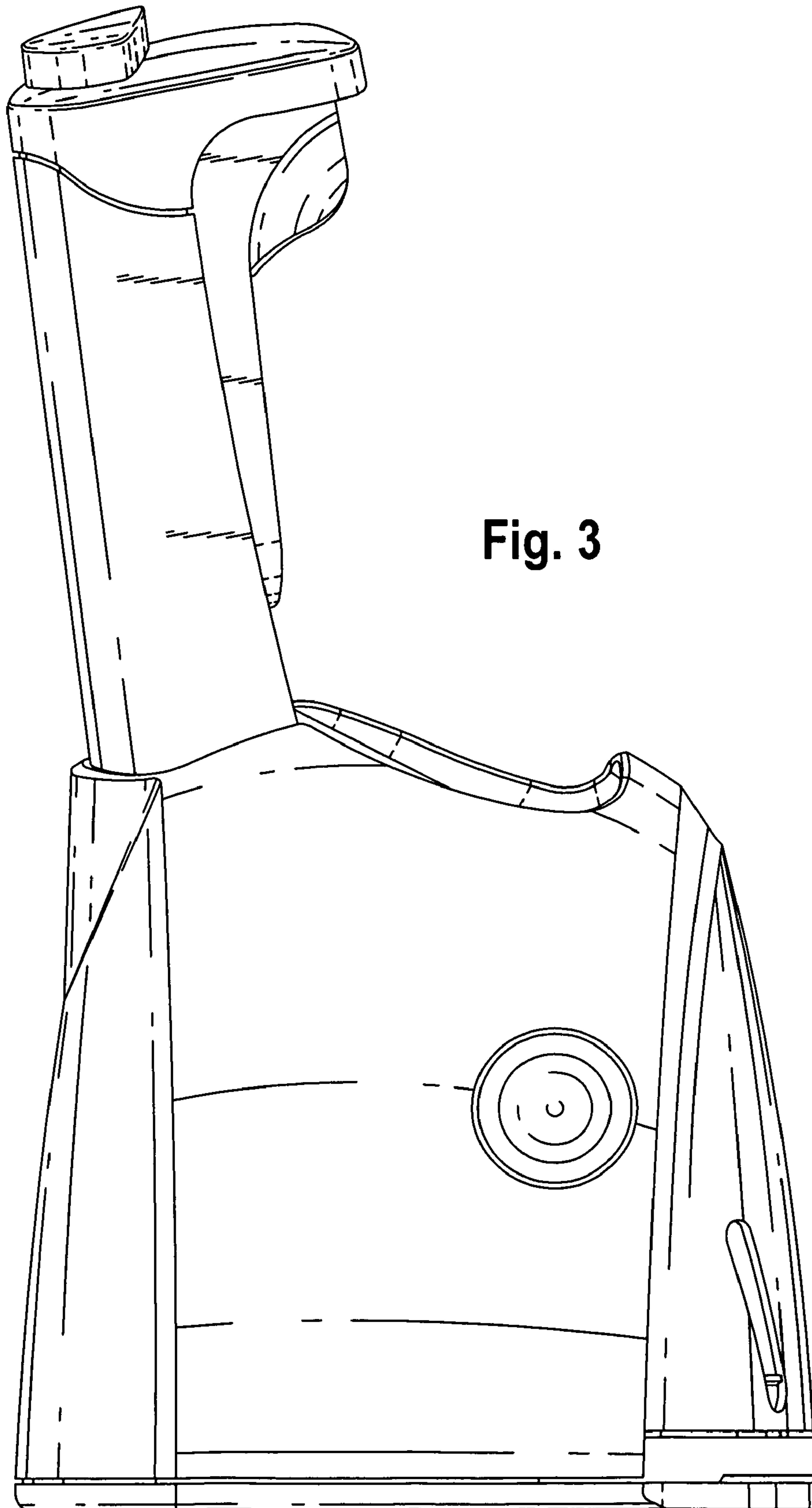


Fig. 3

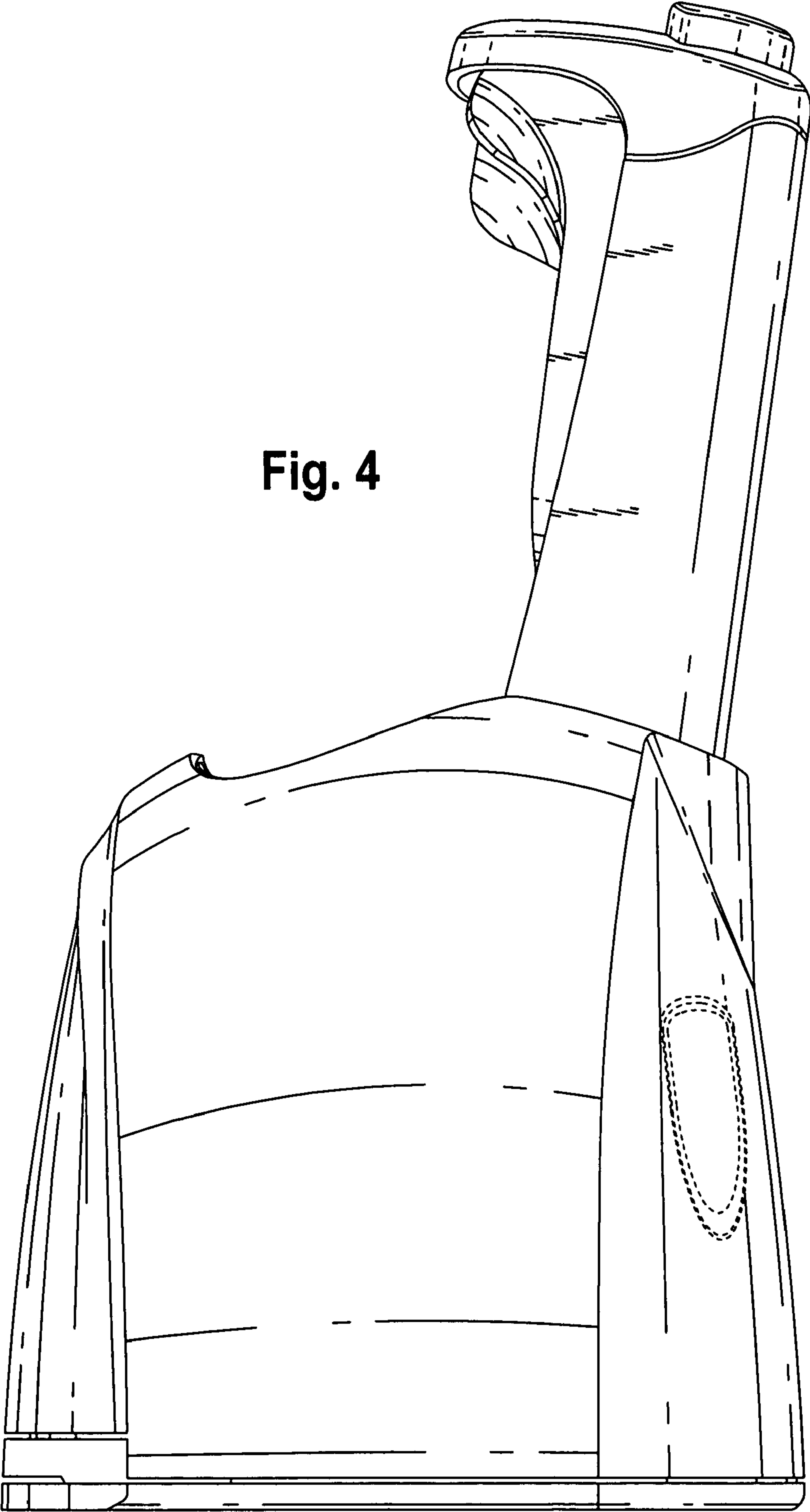
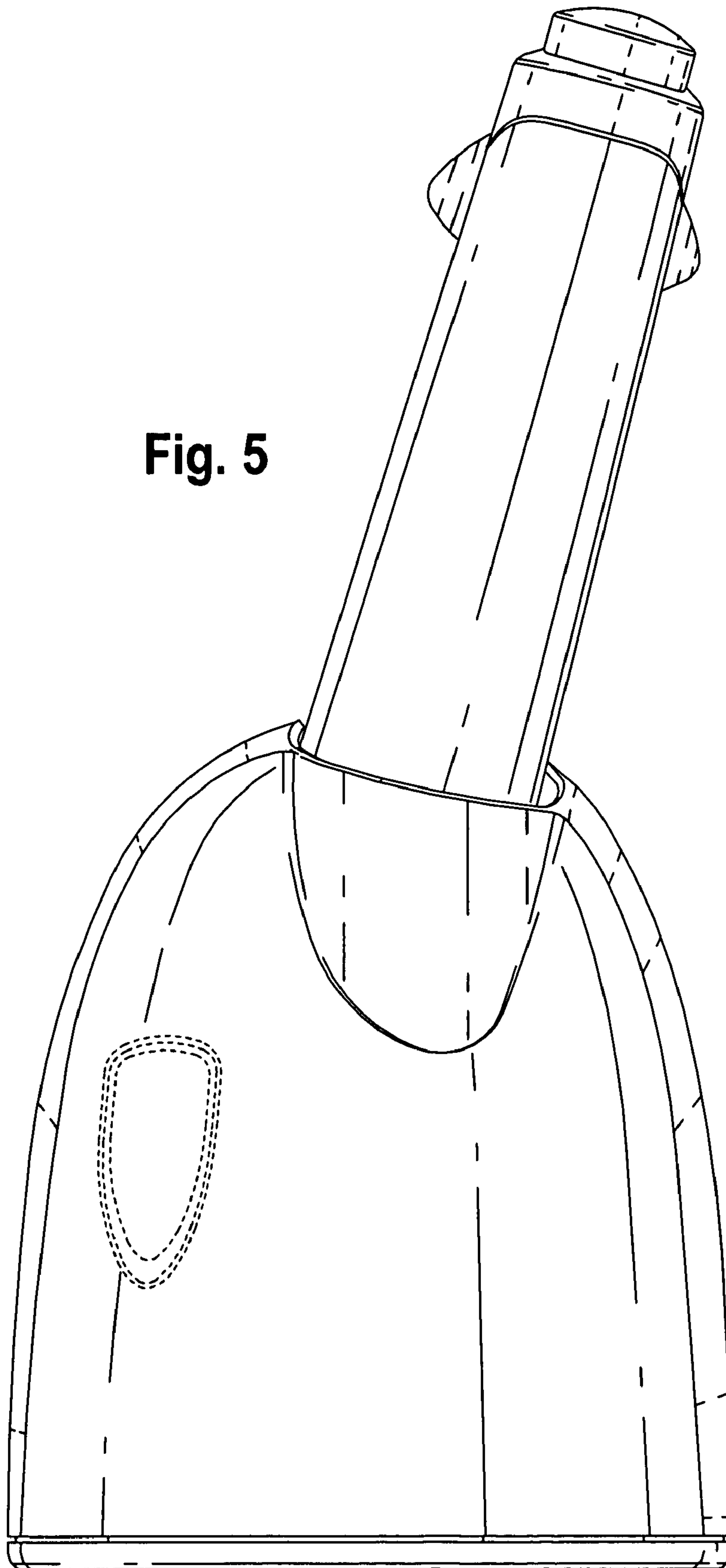


Fig. 4

Fig. 5



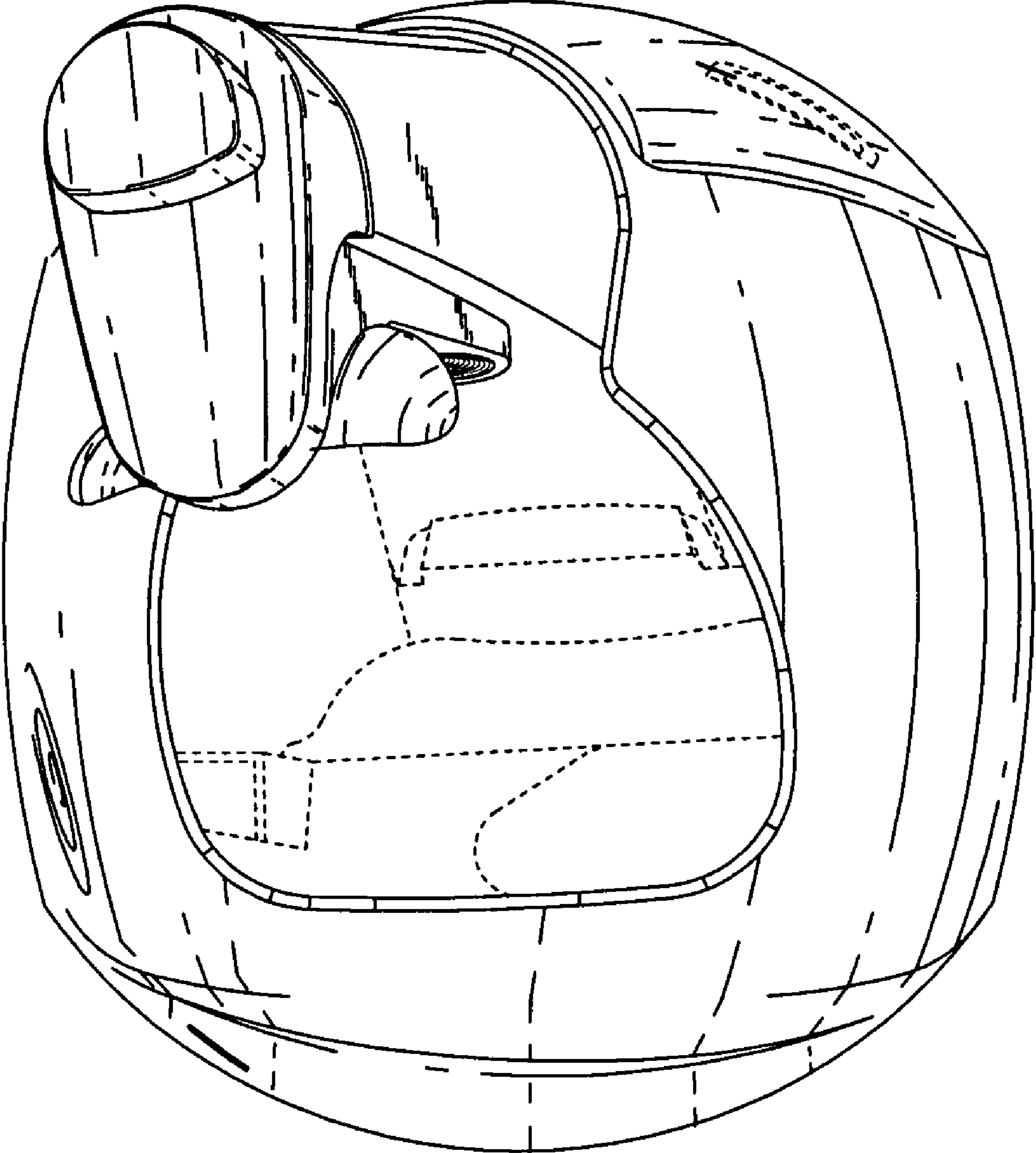


Fig. 6

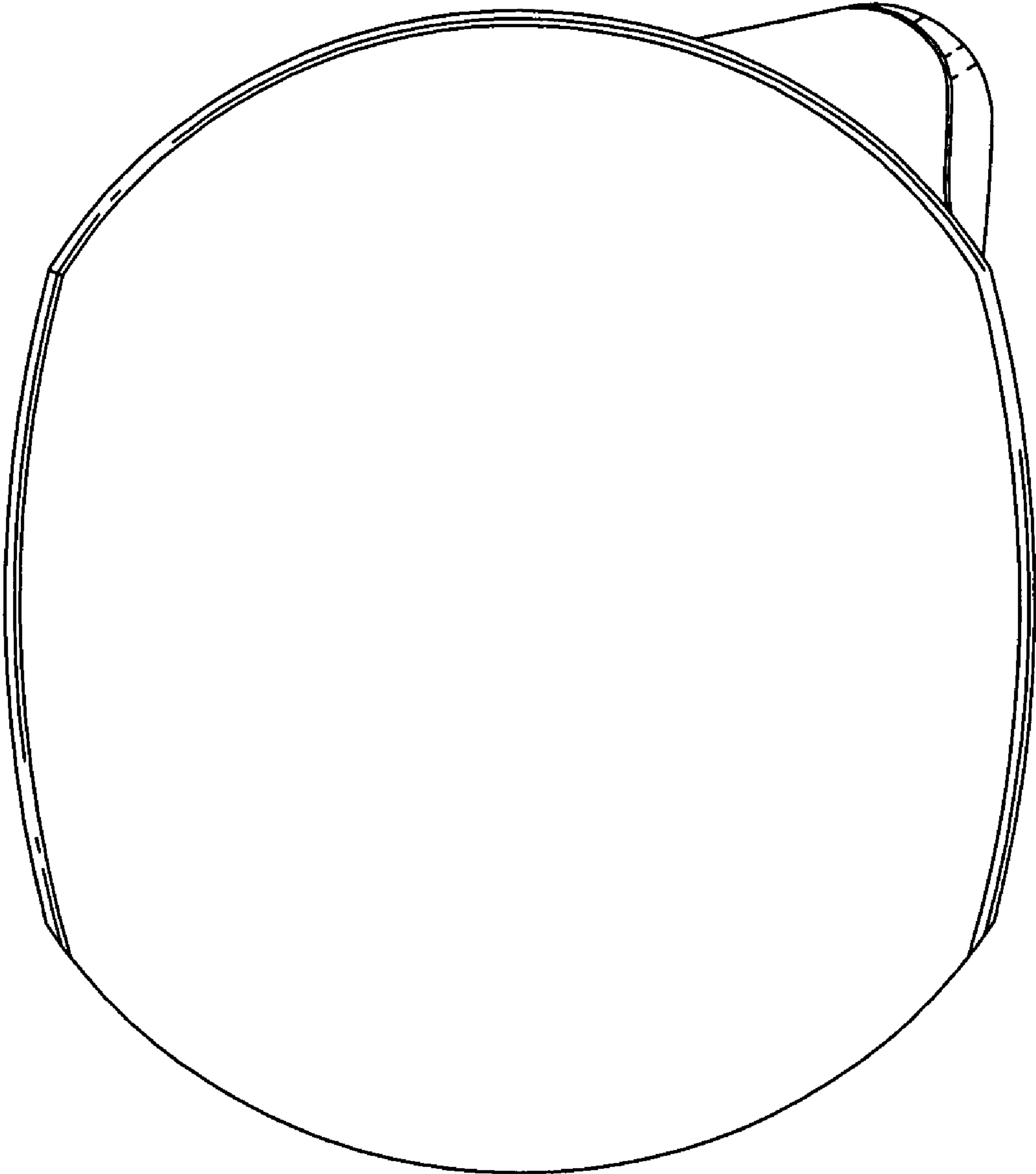


Fig. 7