



US00D613006S

(12) **United States Design Patent**
Anderson

(10) **Patent No.:** **US D613,006 S**

(45) **Date of Patent:** **** Mar. 30, 2010**

(54) **LINING ASSEMBLY**

7,374,215 B2 * 5/2008 Anderson 294/1.3
7,448,659 B1 * 11/2008 Auseklis 294/1.4
7,523,972 B1 * 4/2009 Wawrzynowski 294/1.3

(75) Inventor: **Bruce Warren Anderson**, Omaha, NE
(US)

* cited by examiner

(73) Assignee: **Scoopeeze Brands, LLC**, Omaha, NE
(US)

Primary Examiner—Mitchell I Siegel
(74) *Attorney, Agent, or Firm*—Suiter Swantz pc llo

(**) Term: **14 Years**

(57) **CLAIM**

(21) Appl. No.: **29/324,596**

The ornamental design for a lining assembly, as shown and described.

(22) Filed: **Sep. 16, 2008**

(51) **LOC (9) Cl.** **30-99**

(52) **U.S. Cl.** **D30/162**

(58) **Field of Classification Search** D30/161,
D30/162; 119/161-170, 867; 294/1.3, 1.4
See application file for complete search history.

DESCRIPTION

FIG. 1 is a perspective view showing my new design;

FIG. 2 is a top view thereof;

FIG. 3 is front view thereof;

FIG. 4 is a side plan view thereof;

FIG. 5 is a back plan view thereof; and,

FIG. 6 is a bottom view thereof.

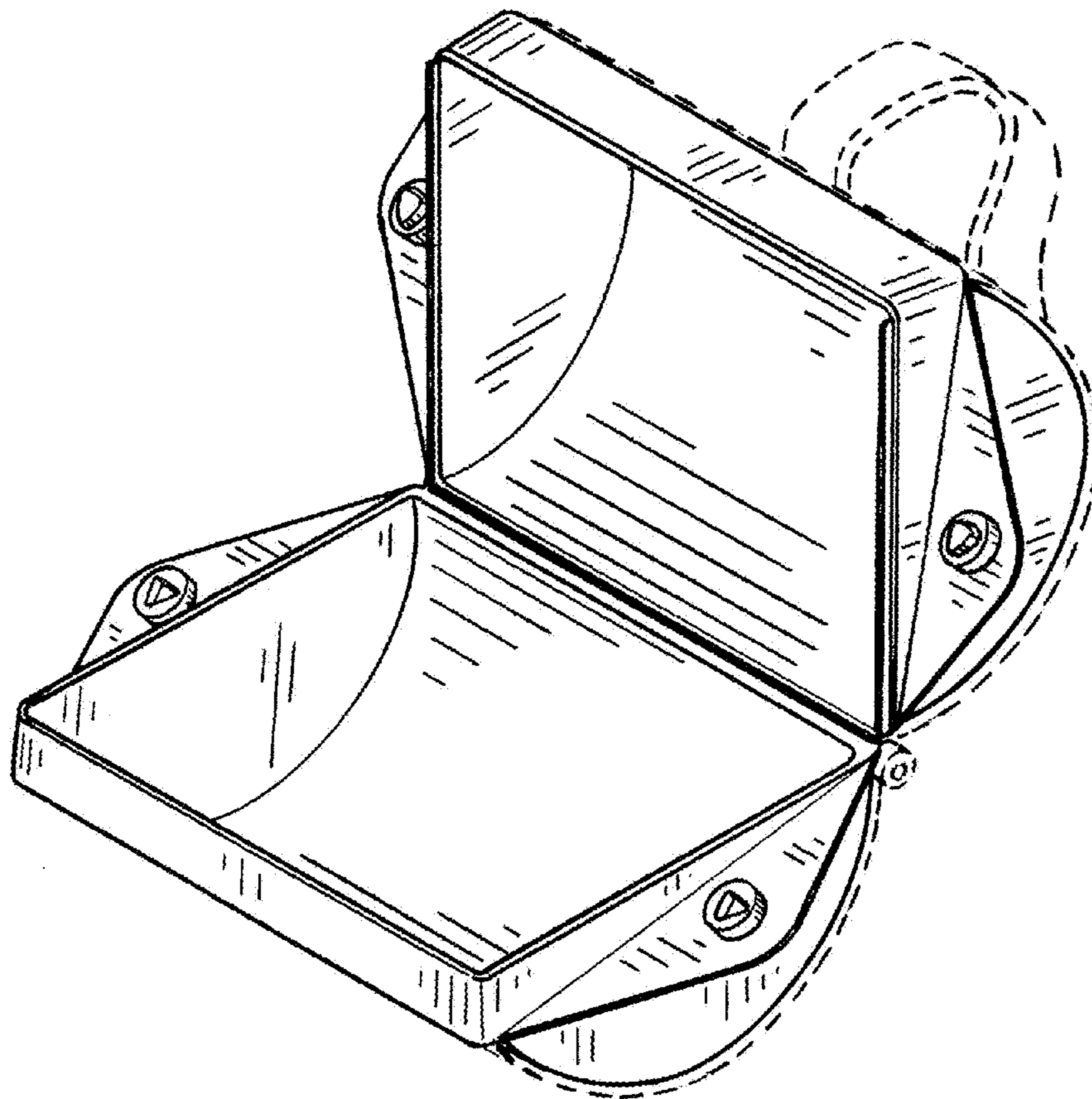
The broken line showing is included for the purpose of illustrating and forms no part of the claimed design.

(56) **References Cited**

U.S. PATENT DOCUMENTS

3,281,178 A * 10/1966 Fisher 294/1.4
D259,968 S * 7/1981 Schneider D30/162
4,747,633 A * 5/1988 Stacy 294/1.3
5,503,442 A * 4/1996 Lee 294/1.4
6,986,325 B1 * 1/2006 Hsu 119/867

1 Claim, 3 Drawing Sheets



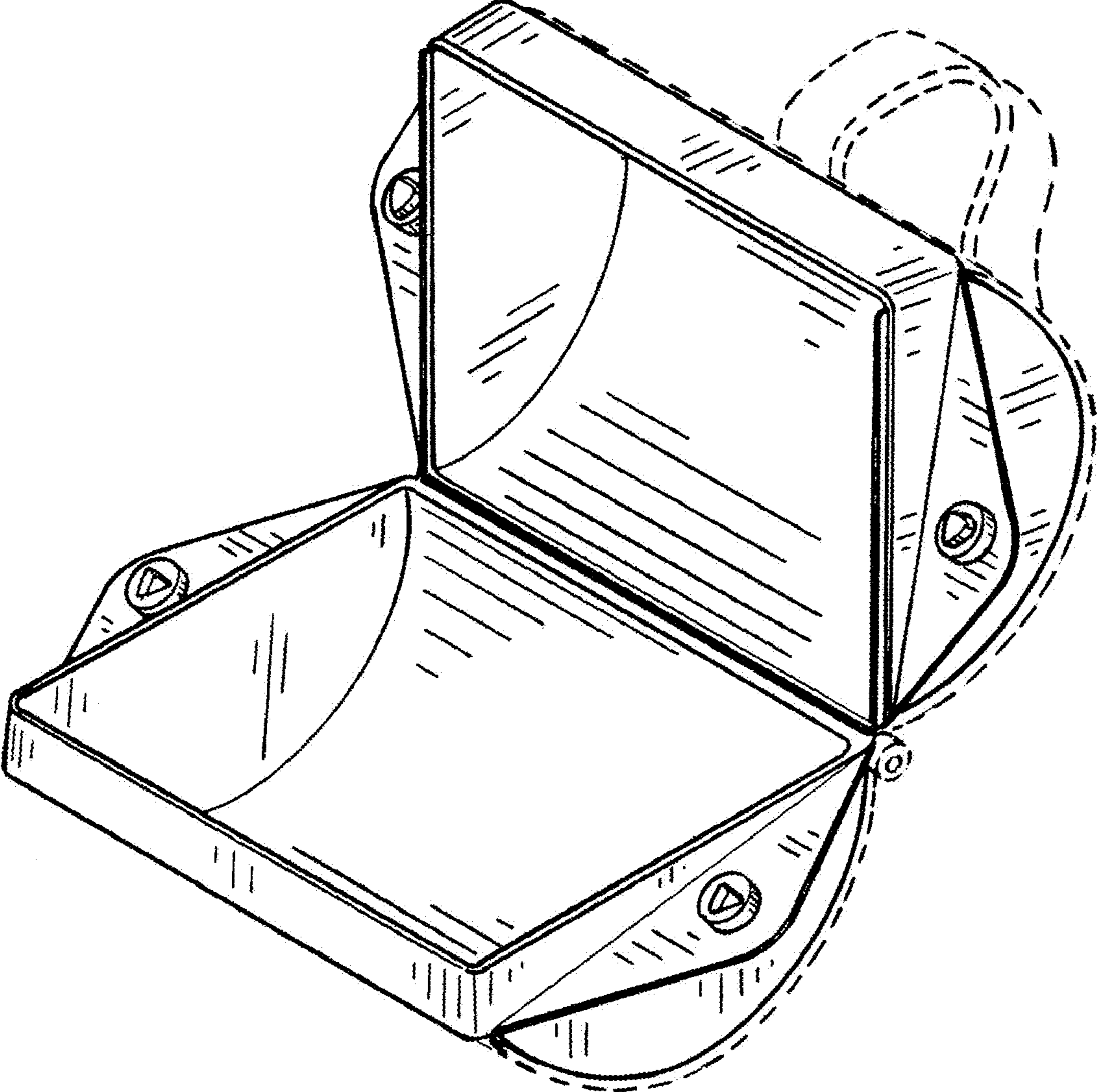


FIG. 1



FIG. 2

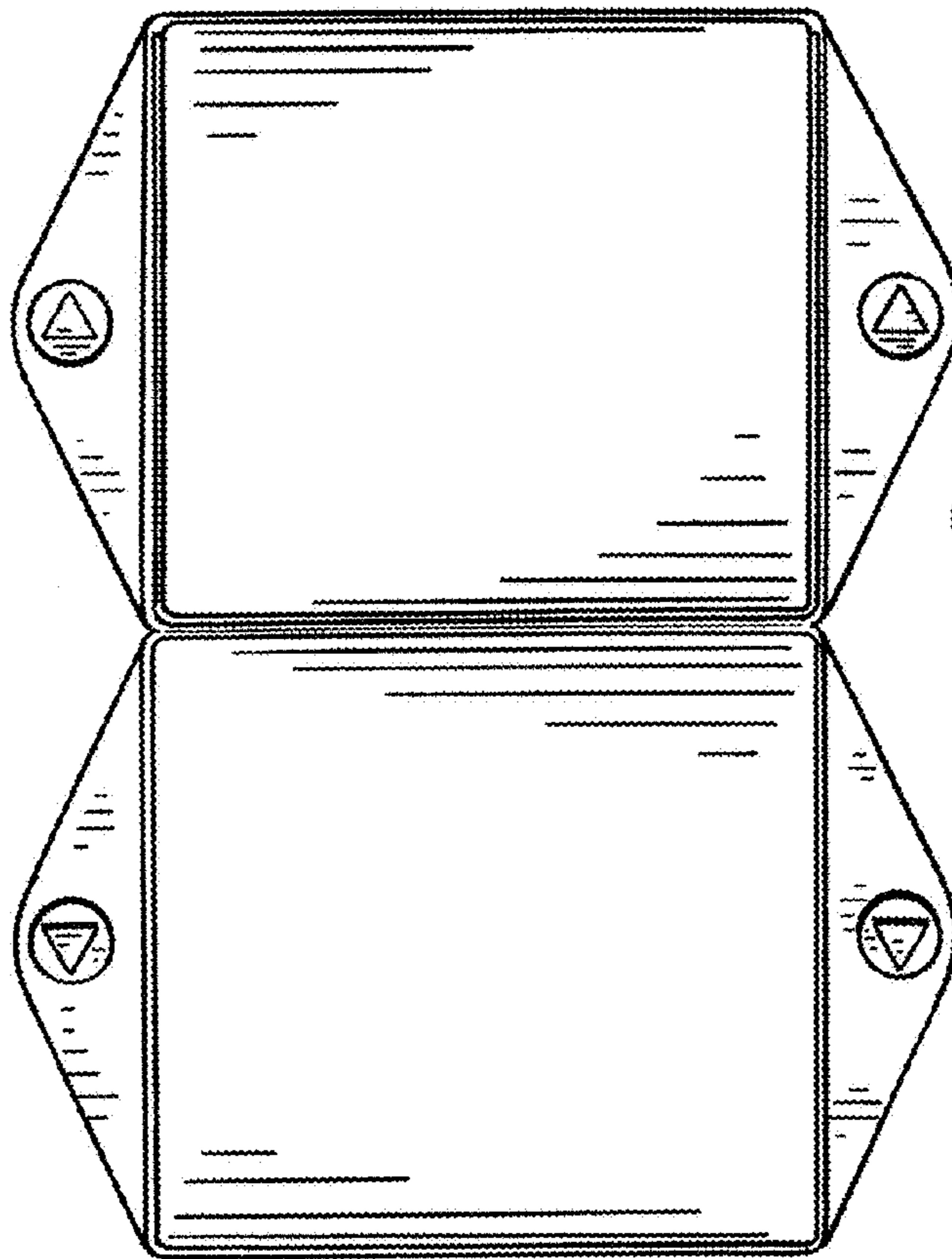


FIG. 3

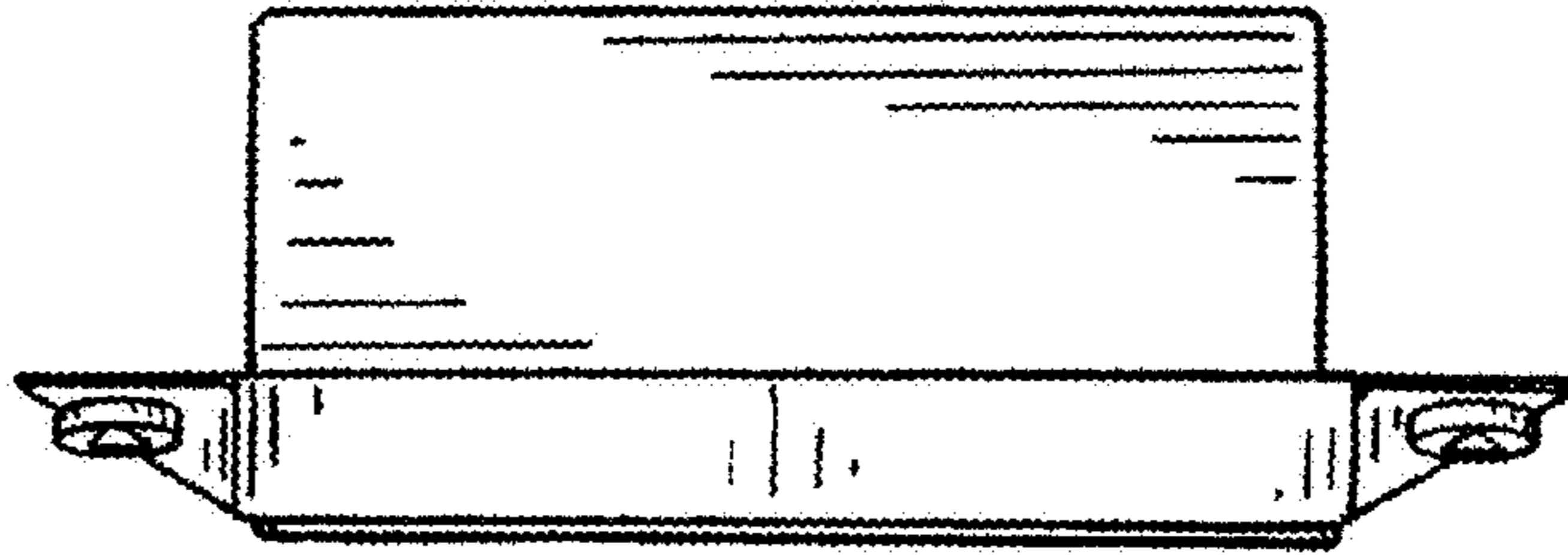


FIG. 4

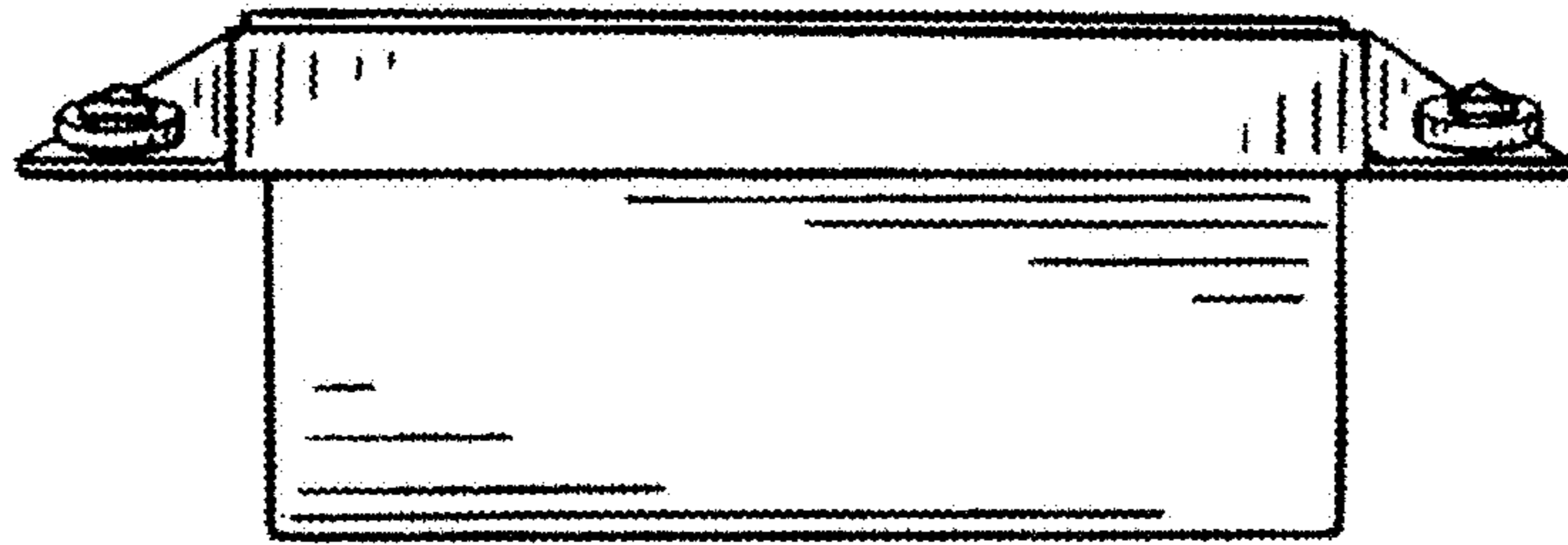


FIG. 6

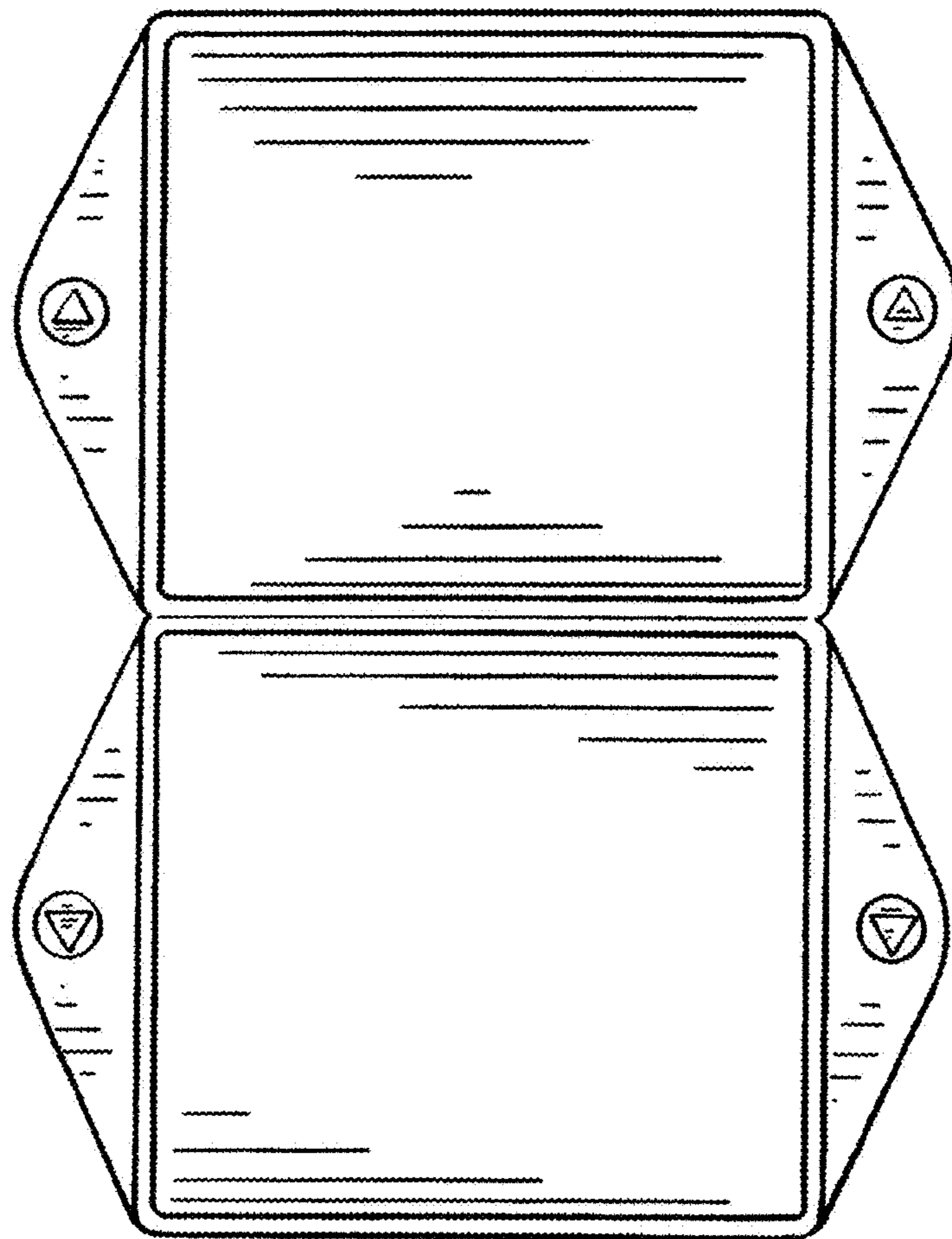


FIG. 5