



US00D613001S

(12) **United States Design Patent**
OBrien

(10) **Patent No.:** **US D613,001 S**
(45) **Date of Patent:** **** Mar. 30, 2010**

(54) **LAMB COAT**

(76) Inventor: **Linda M. OBrien**, 5900 Mill Branch Rd., Huntingtown, MD (US) 20639

(**) Term: **14 Years**

(21) Appl. No.: **29/339,670**

(22) Filed: **Jul. 6, 2009**

(51) **LOC (9) Cl.** **30-01**

(52) **U.S. Cl.** **D30/145**

(58) **Field of Classification Search** D30/152,
D30/144, 151, 153, 154, 145; 119/702, 712,
119/792-798, 758, 760, 769, 770, 784, 815,
119/818, 856, 863, 864, 905, 907, 802, 857,
119/865, 725, 771; D21/805, 804; D3/217,
D3/327, 271.2; D29/101.1, 101.5, 101.3;
D24/190; D34/28; 54/71

See application file for complete search history.

(56) **References Cited**

U.S. PATENT DOCUMENTS

829,904	A *	8/1906	Young	54/79.2
1,437,255	A *	11/1922	Mallinson	54/79.2
1,595,834	A *	8/1926	Griffiths	54/79.1
1,612,945	A *	1/1927	Rieck	54/79.2
2,131,495	A *	9/1938	Allen	54/79.2
D113,489	S *	2/1939	Du Mais	D30/145
2,222,705	A *	11/1940	Conlon	54/79.1
D142,815	S *	11/1945	Ardmore	D30/145
2,850,860	A *	9/1958	Torell et al.	54/79.2
3,141,443	A *	7/1964	Huey	119/854
3,248,852	A *	5/1966	Schwartz	54/79.1
D228,926	S *	10/1973	Bennett	D30/145
D250,138	S *	10/1978	Bartolac et al.	D30/145
D265,516	S *	7/1982	Wacker	D30/145
4,385,592	A *	5/1983	Goldstein	602/18
D313,676	S *	1/1991	Indursky et al.	D30/145
5,447,124	A *	9/1995	Pollock et al.	119/850
D363,572	S *	10/1995	Obenchain	D30/145
D364,713	S *	11/1995	Daville	D30/144
D373,228	S *	8/1996	Brown	D30/145
D403,132	S *	12/1998	Campbell-Henderson	D30/145

D407,865	S *	4/1999	Rylander	D30/144
D413,186	S *	8/1999	Brown	D30/145
5,996,537	A *	12/1999	Caditz	119/850
D427,734	S *	7/2000	Balzarini	D30/145
6,089,194	A *	7/2000	LaBelle	119/850
D459,842	S *	7/2002	Kaplan	D30/145
6,477,988	B2 *	11/2002	Burnett	119/850
6,481,383	B1 *	11/2002	Ross et al.	119/850
6,539,898	B2 *	4/2003	Gatto	119/850
6,584,939	B1 *	7/2003	Brezinski	119/850
D479,896	S *	9/2003	Wilson	D30/145
6,662,754	B1 *	12/2003	Wilson	119/850
D486,275	S *	2/2004	Grubb	D30/145
6,694,925	B2 *	2/2004	Critzer	119/850
D511,868	S *	11/2005	Cherrett	D30/145
RE39,564	E *	4/2007	Brezinski	119/850

(Continued)

Primary Examiner—Susan Moon Lee

(74) *Attorney, Agent, or Firm*—QuickPatents, Inc.; Kevin Prince

(57) **CLAIM**

I claim the ornamental design for a lamb coat, as shown and described.

DESCRIPTION

FIG. 1 is a perspective view of a lamb coat, showing my new design;

FIG. 2 is a front elevational view thereof;

FIG. 3 is a rear elevational view thereof;

FIG. 4 is a left-side elevational view thereof

FIG. 5 is a right-side elevational view thereof

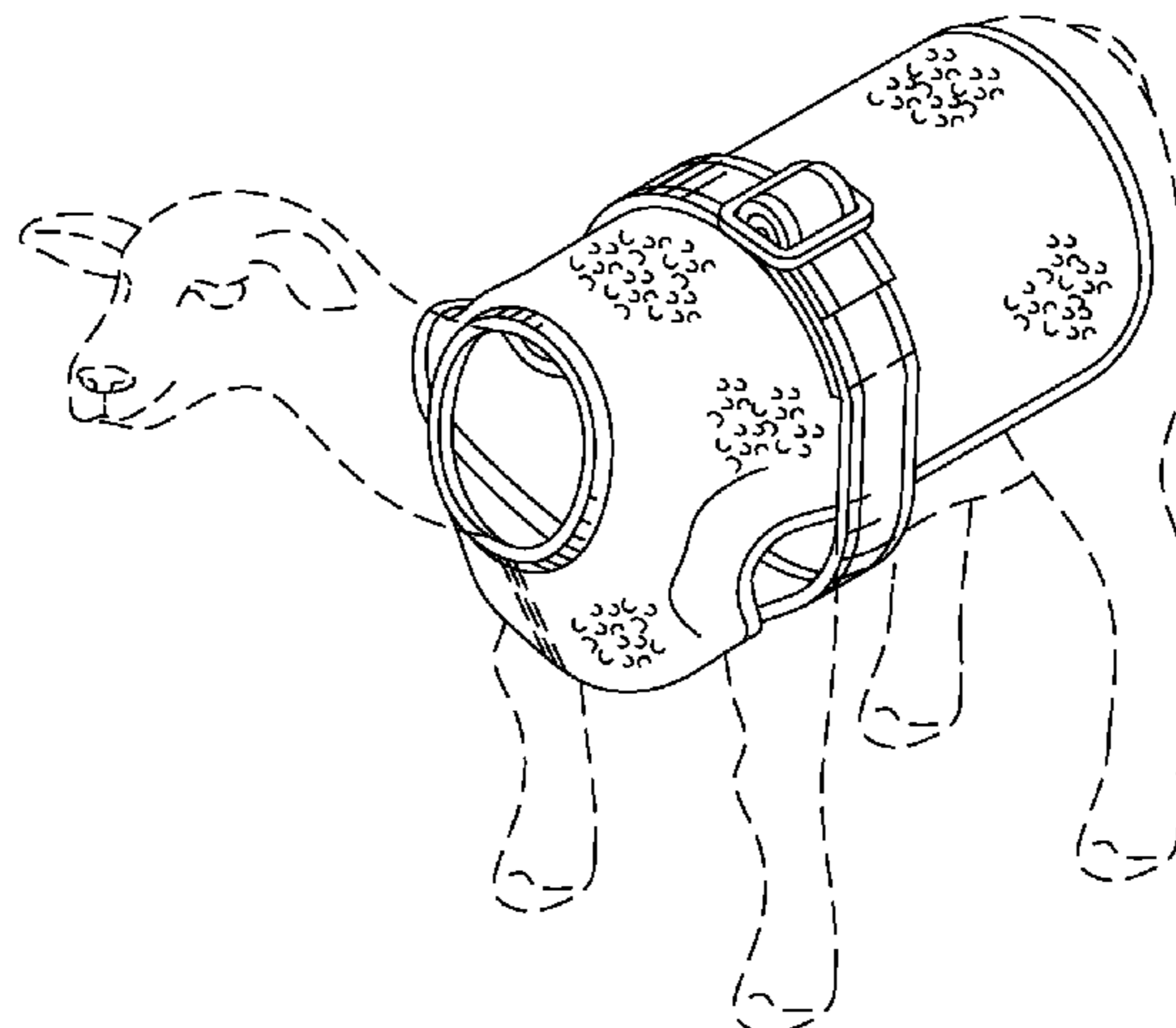
FIG. 6 is a top plan view thereof; and,

FIG. 7 is a bottom plan view thereof.

The broken lines showing a lamb in FIG. 1 are included for the purpose of illustrating the invention in use, and form no part of the claimed design.

Furthermore, the broken line showing of stitching is part of the claimed design.

1 Claim, 2 Drawing Sheets



US D613,001 S

Page 2

U.S. PATENT DOCUMENTS			
D586,509 S *	2/2009	Kok-Duson	D30/145
2003/0221636 A1 *	12/2003	Critzer	119/850
2005/0229869 A1 *	10/2005	Leo	119/850
2007/0289557 A1 *	12/2007	Gerdes	119/850
2007/0289558 A1 *	12/2007	Bonfoey	119/850

* cited by examiner

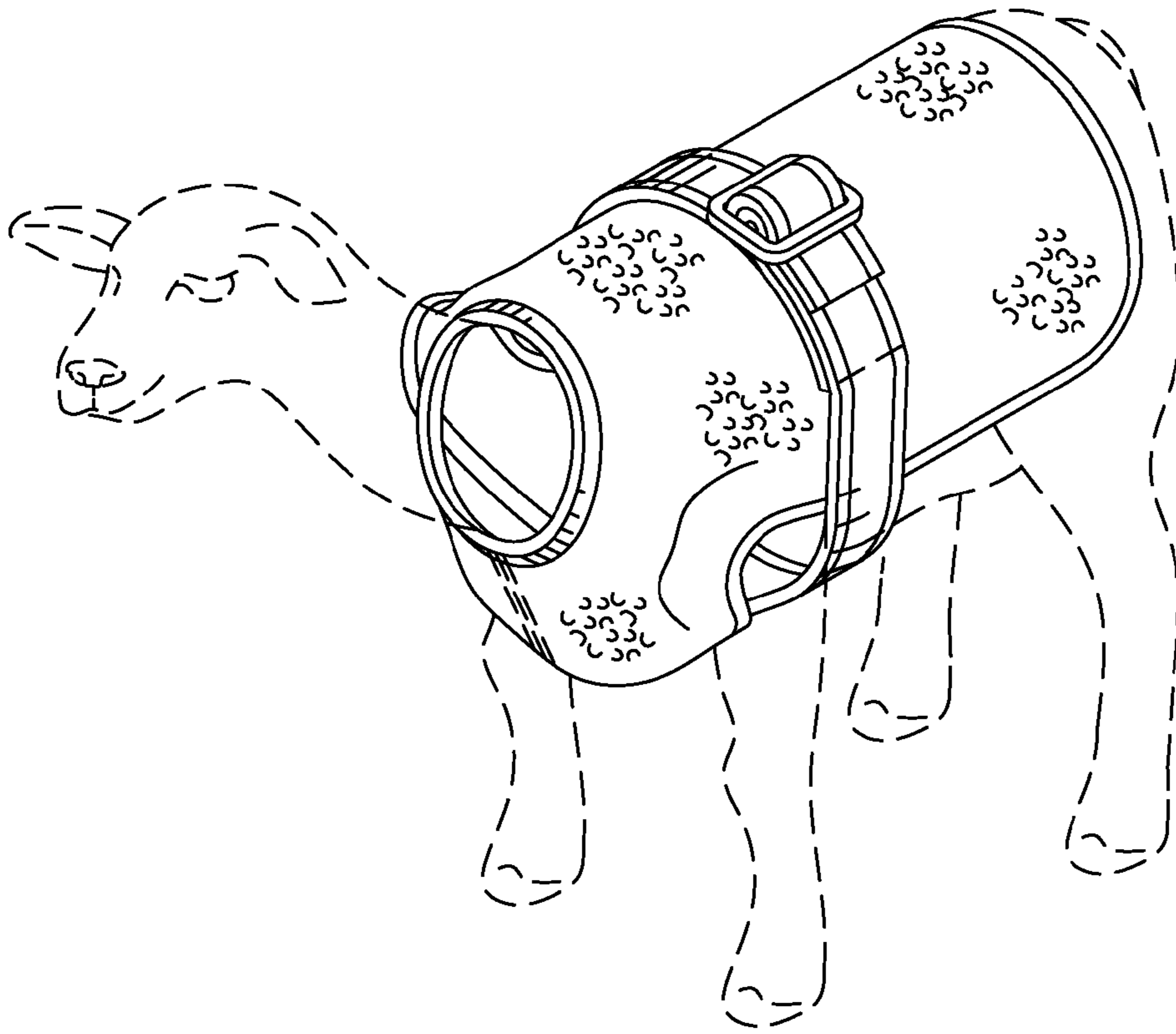


FIG. 1

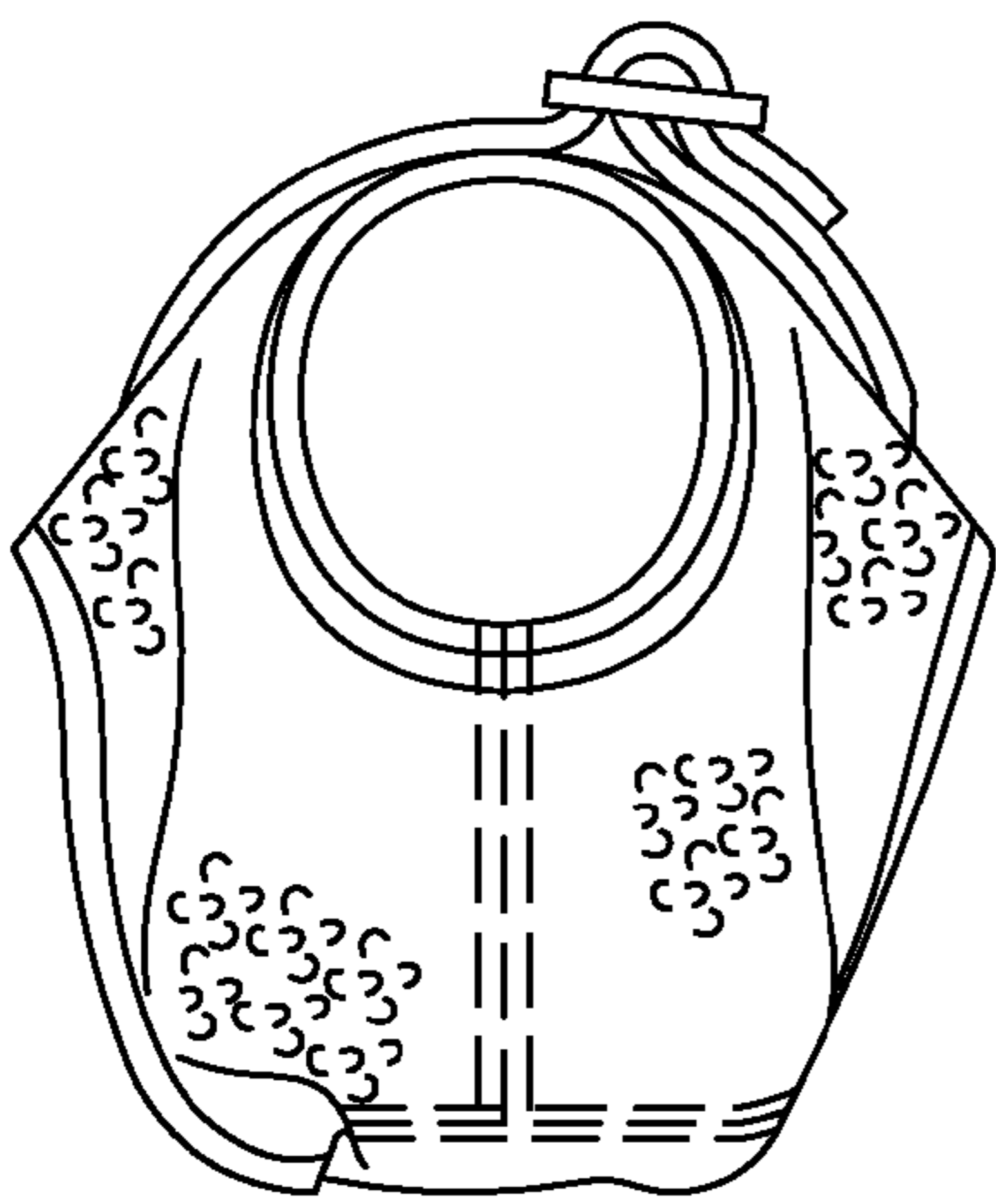


FIG. 2

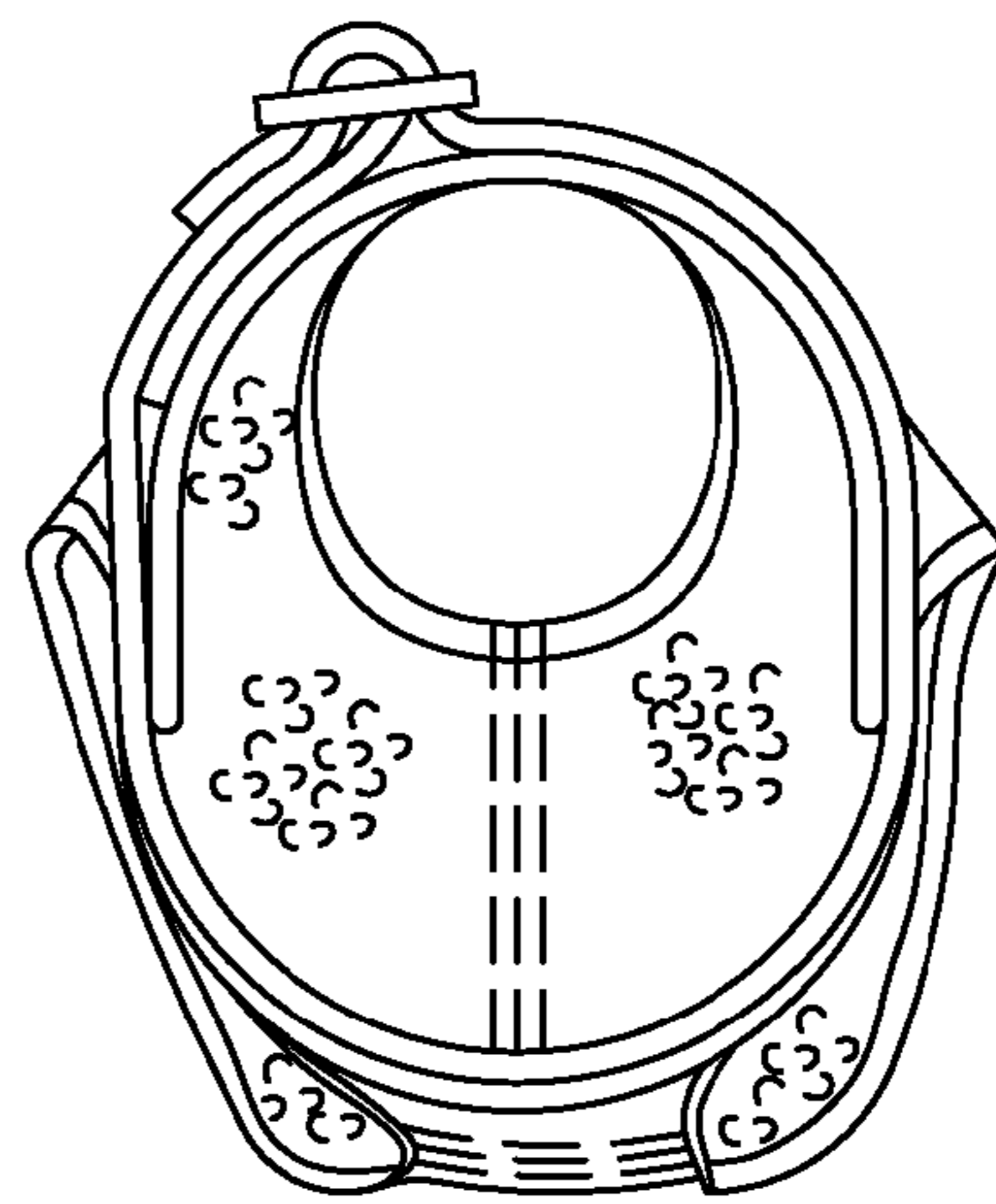


FIG. 3

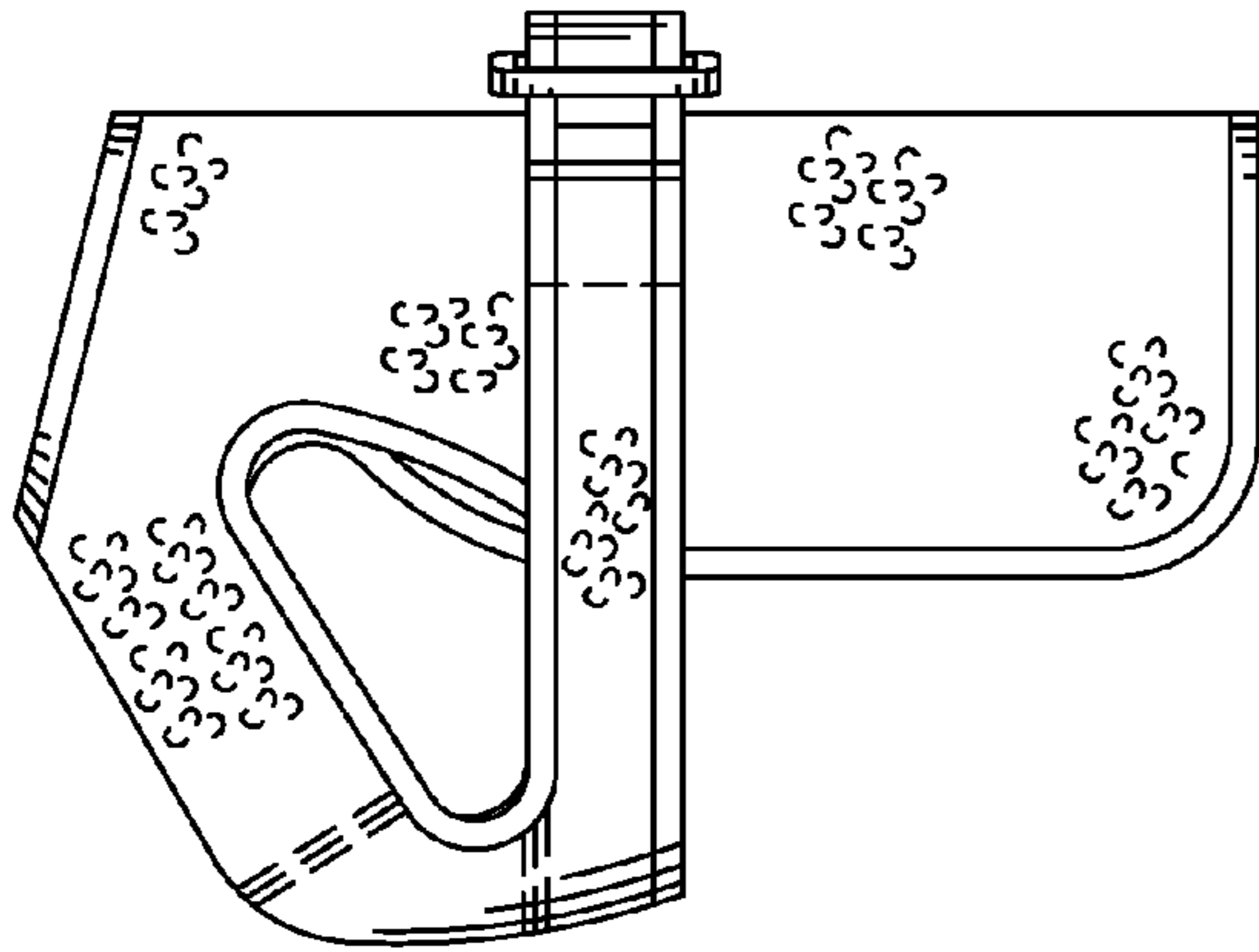


FIG. 4

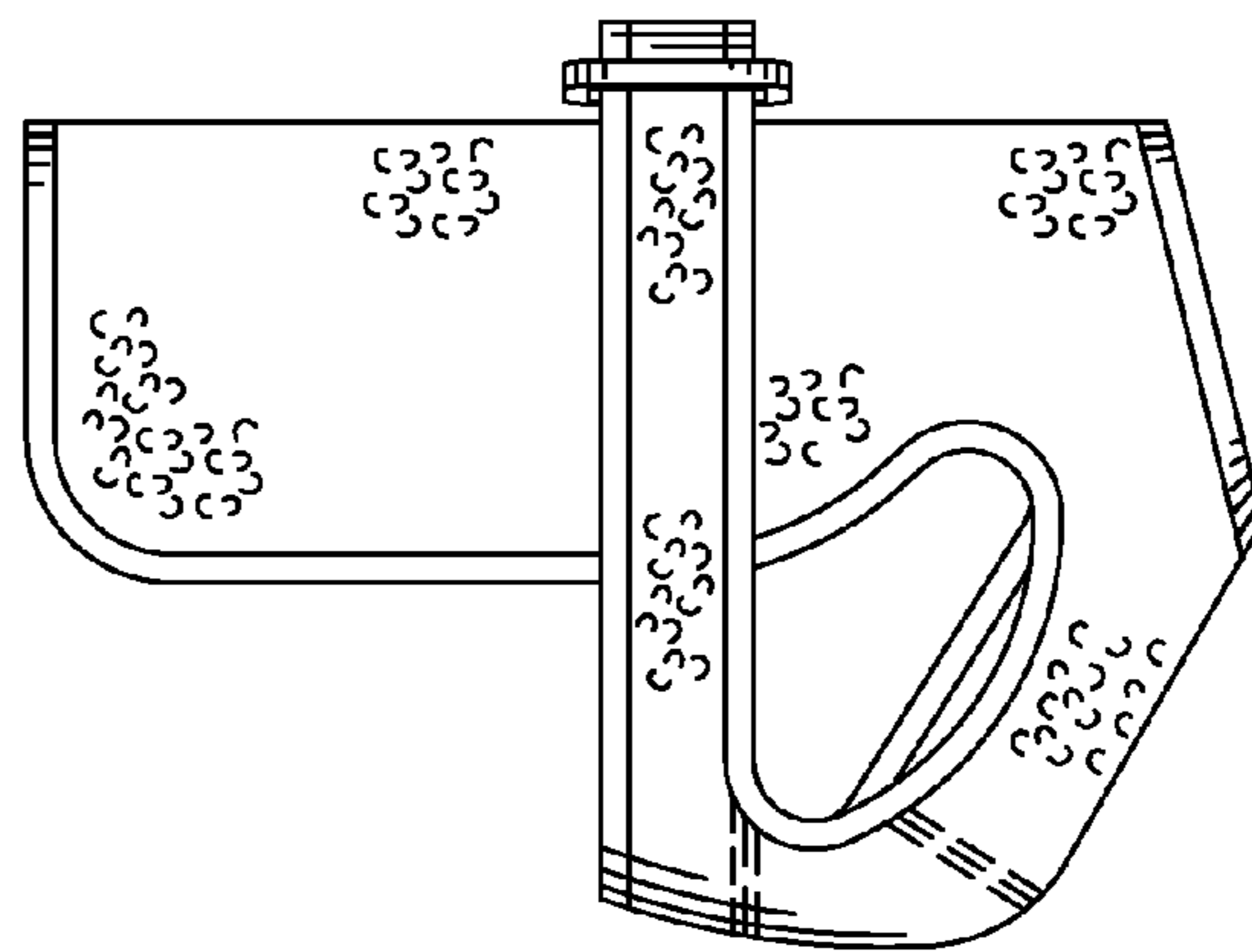


FIG. 5

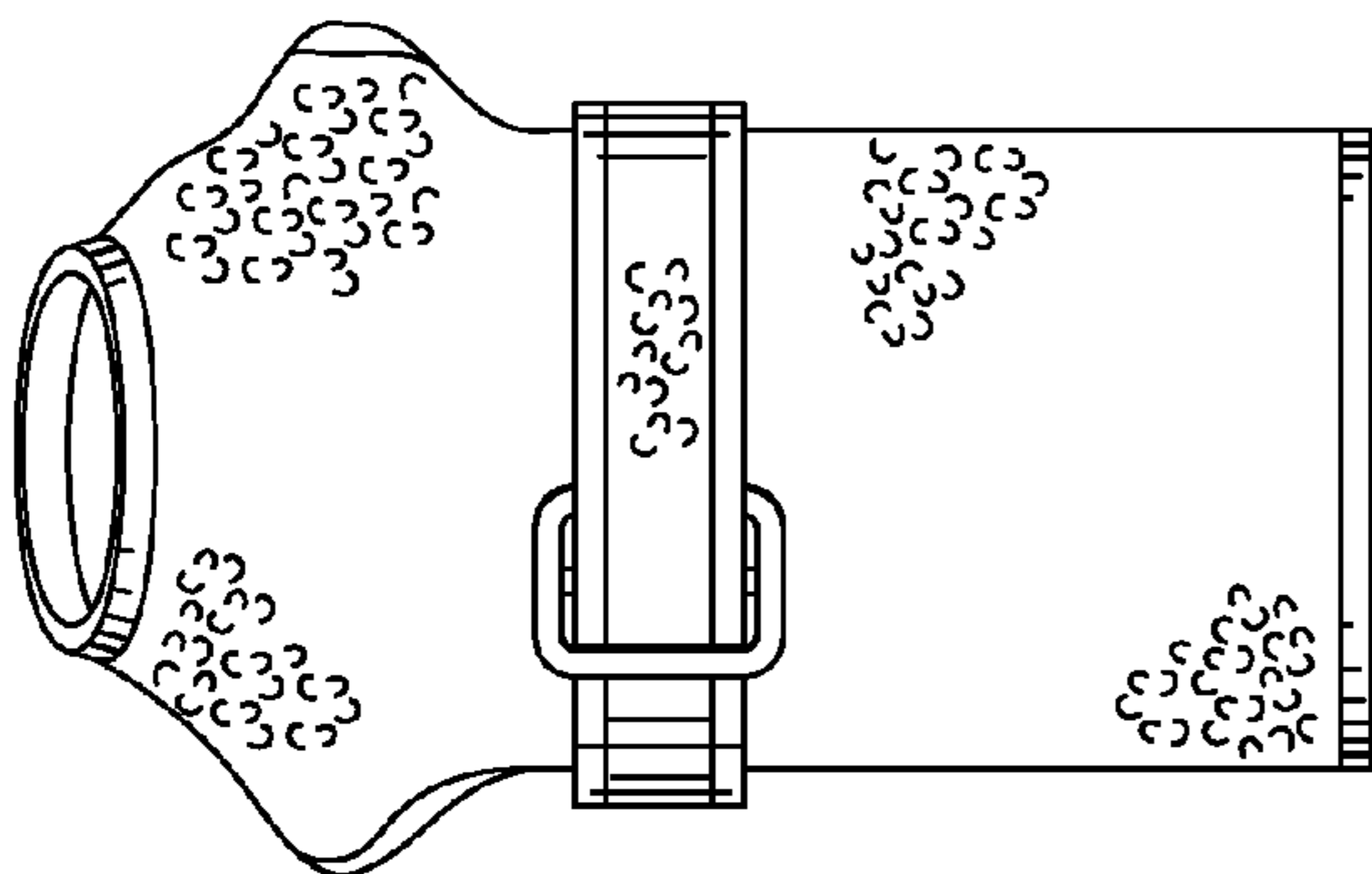


FIG. 6

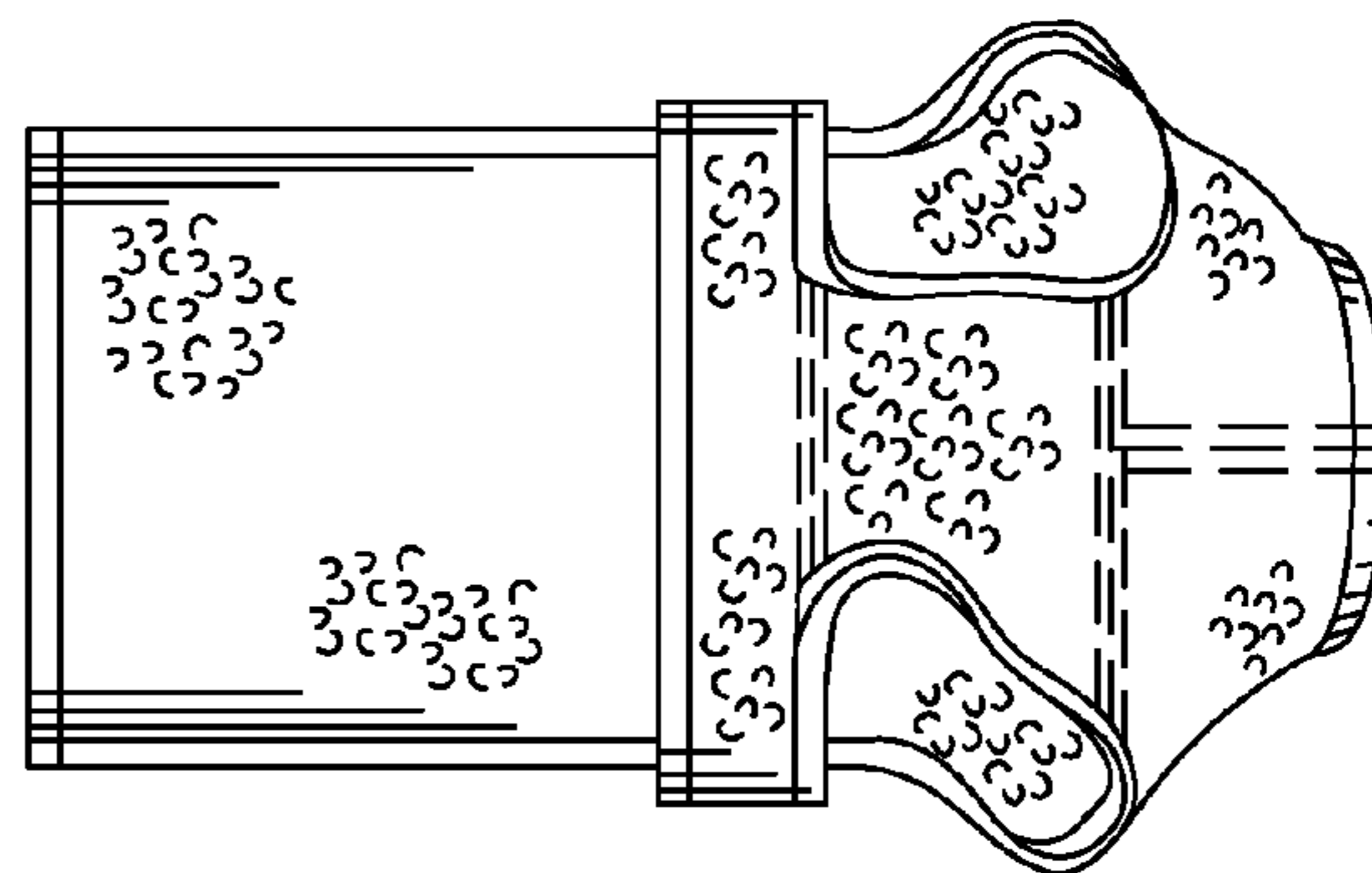


FIG. 7