



US00D612995S

(12) **United States Design Patent**  
**Hardy**

(10) **Patent No.:** **US D612,995 S**  
(45) **Date of Patent:** **\*\* Mar. 30, 2010**

(54) **GUIDE FOR ESCORTING CHILDREN**

(76) Inventor: **Jerry Hardy**, 588 Nicholson St. NE.,  
Washington, DC (US) 20011

(\*\*) Term: **14 Years**

(21) Appl. No.: **29/316,094**

(22) Filed: **Aug. 24, 2009**

(51) **LOC (9) Cl.** ..... **19-07**

(52) **U.S. Cl.** ..... **D29/100; D19/62**

(58) **Field of Classification Search** ..... D19/59-64;  
D29/100, 101.1-101.5, 120.1-120.2, 121.1-121.2,  
D29/122; D12/130; D21/598; D30/152-153;  
119/770, 712, 769, 795; 446/29; 482/92;  
434/254, 247, 256, 433

See application file for complete search history.

(56) **References Cited**

**U.S. PATENT DOCUMENTS**

2,207,864	A	7/1940	Hoeltje	
3,563,208	A	2/1971	Nero	
4,220,328	A *	9/1980	Crush, Jr.	482/92
4,308,629	A *	1/1982	Freemon	434/254
4,563,981	A	1/1986	Kramer	
4,666,017	A *	5/1987	Zimmerman	119/770
4,667,624	A *	5/1987	Smith	119/770
4,765,279	A *	8/1988	Klickstein	119/770
D298,177	S	10/1988	Bonner	

5,069,168	A *	12/1991	Roberson et al.	119/770
5,423,292	A	6/1995	Hall	
5,447,121	A	9/1995	Spence	
D383,256	S *	9/1997	Hampton	D30/153
6,047,665	A	4/2000	Deveaux	
D426,065	S	6/2000	Deveaux	
6,422,176	B1	7/2002	Tonuzi	
6,435,931	B1 *	8/2002	Yaeger et al.	446/29
D535,058	S *	1/2007	Boutin	D29/101.1
D540,988	S *	4/2007	Stephen et al.	D29/100
D561,945	S *	2/2008	Boutin	D29/100
7,497,190	B2 *	3/2009	Stephen	119/795

\* cited by examiner

*Primary Examiner*—T. Chase Nelson  
*Assistant Examiner*—Mark Cavanna

(57) **CLAIM**

The ornamental design for a guide for escorting children, as shown and described.

**DESCRIPTION**

FIG. 1 is a perspective view of the invention.

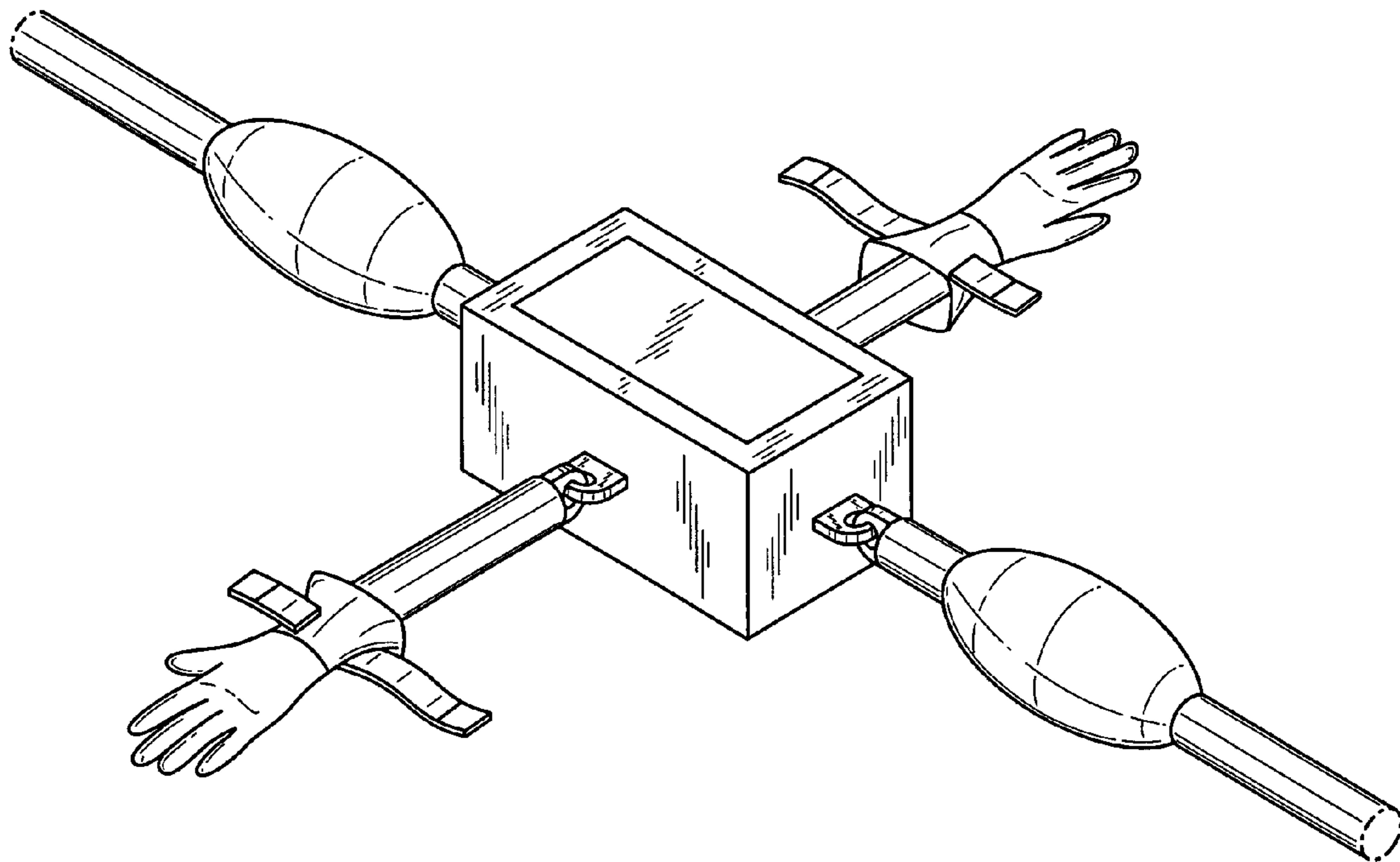
FIG. 2 is a top view of the invention.

FIG. 3 is a bottom view of the invention.

FIG. 4 is a side view of the invention; and,

FIG. 5 is an end view of the invention.

**1 Claim, 5 Drawing Sheets**



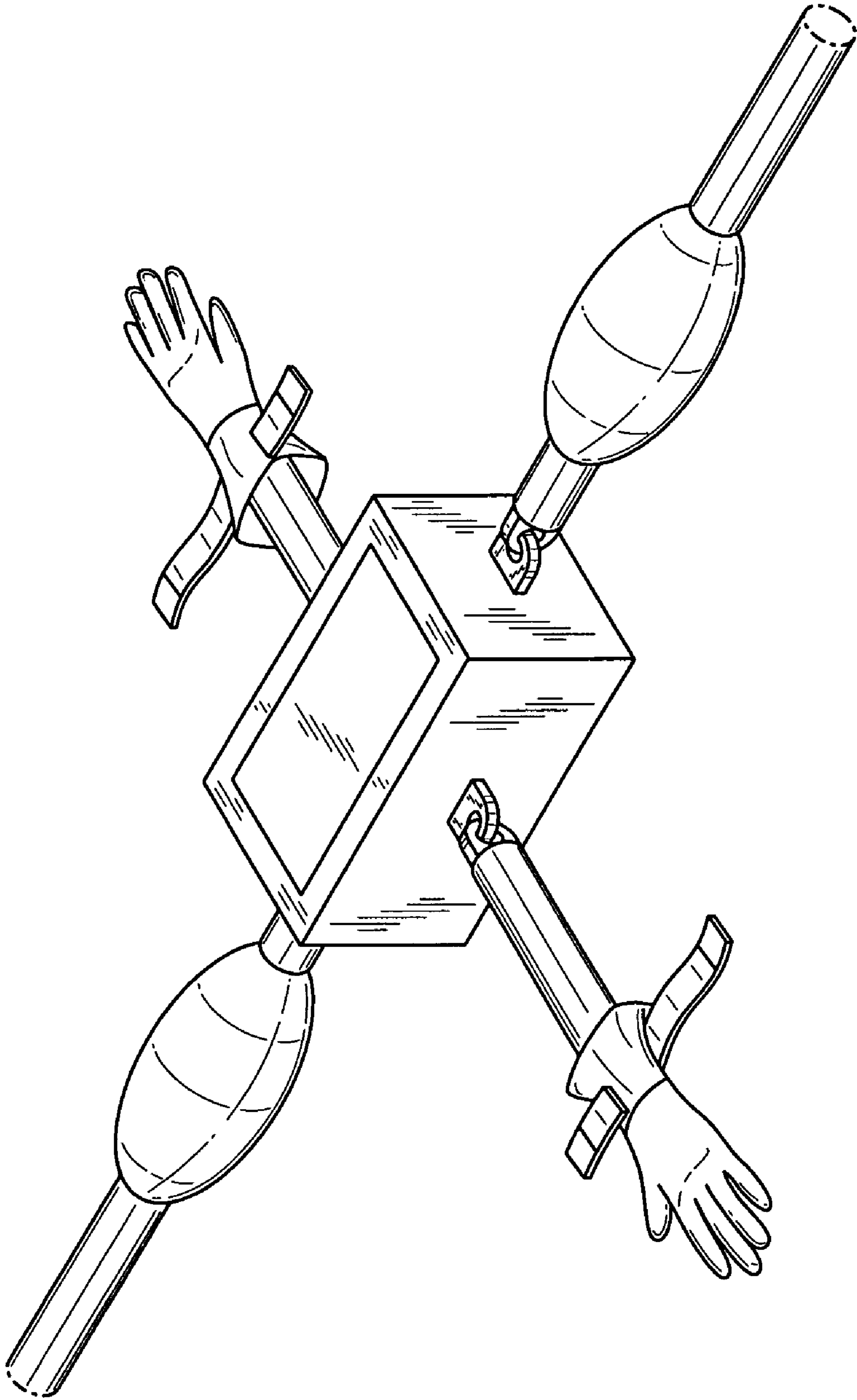


FIG.1

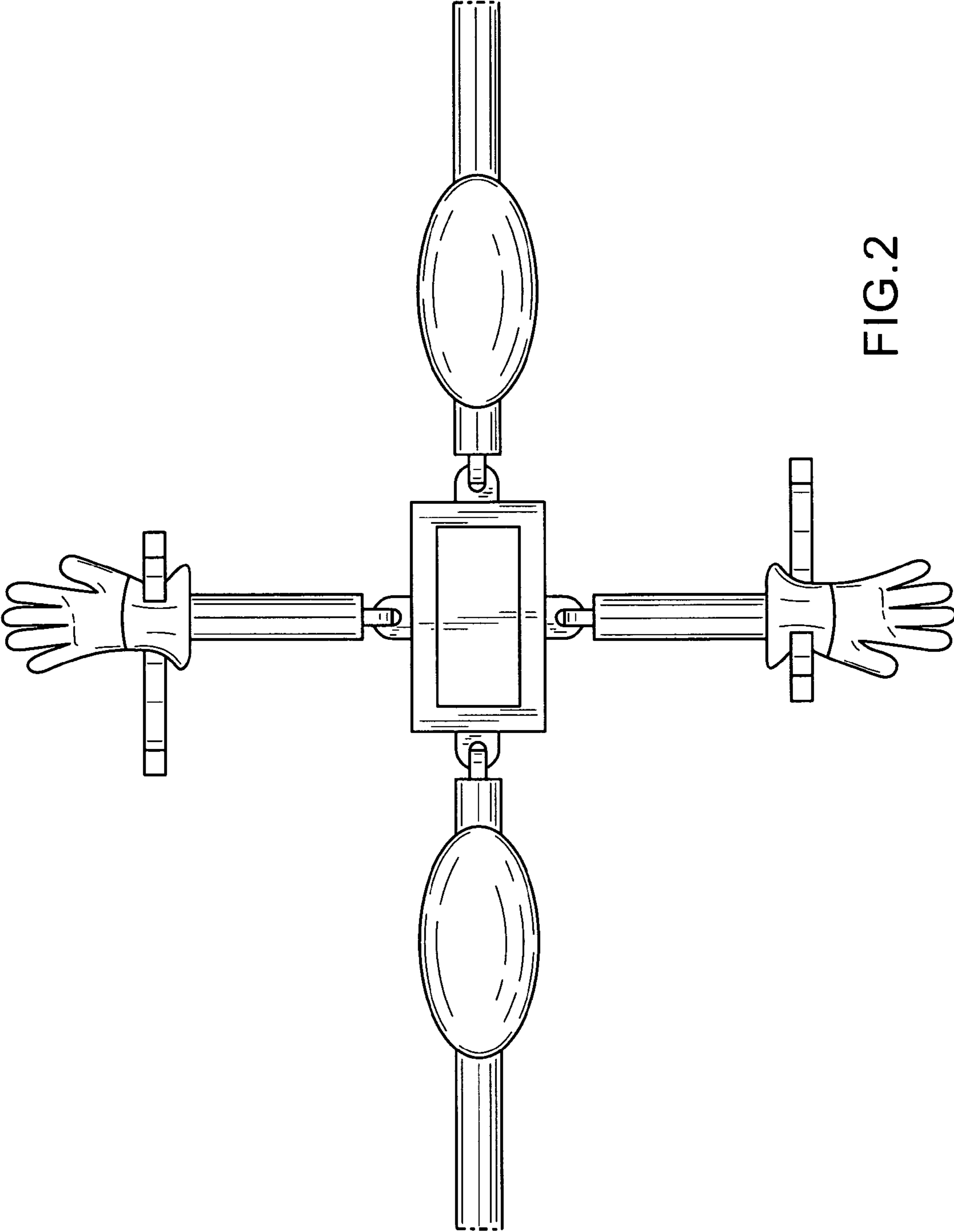


FIG. 2

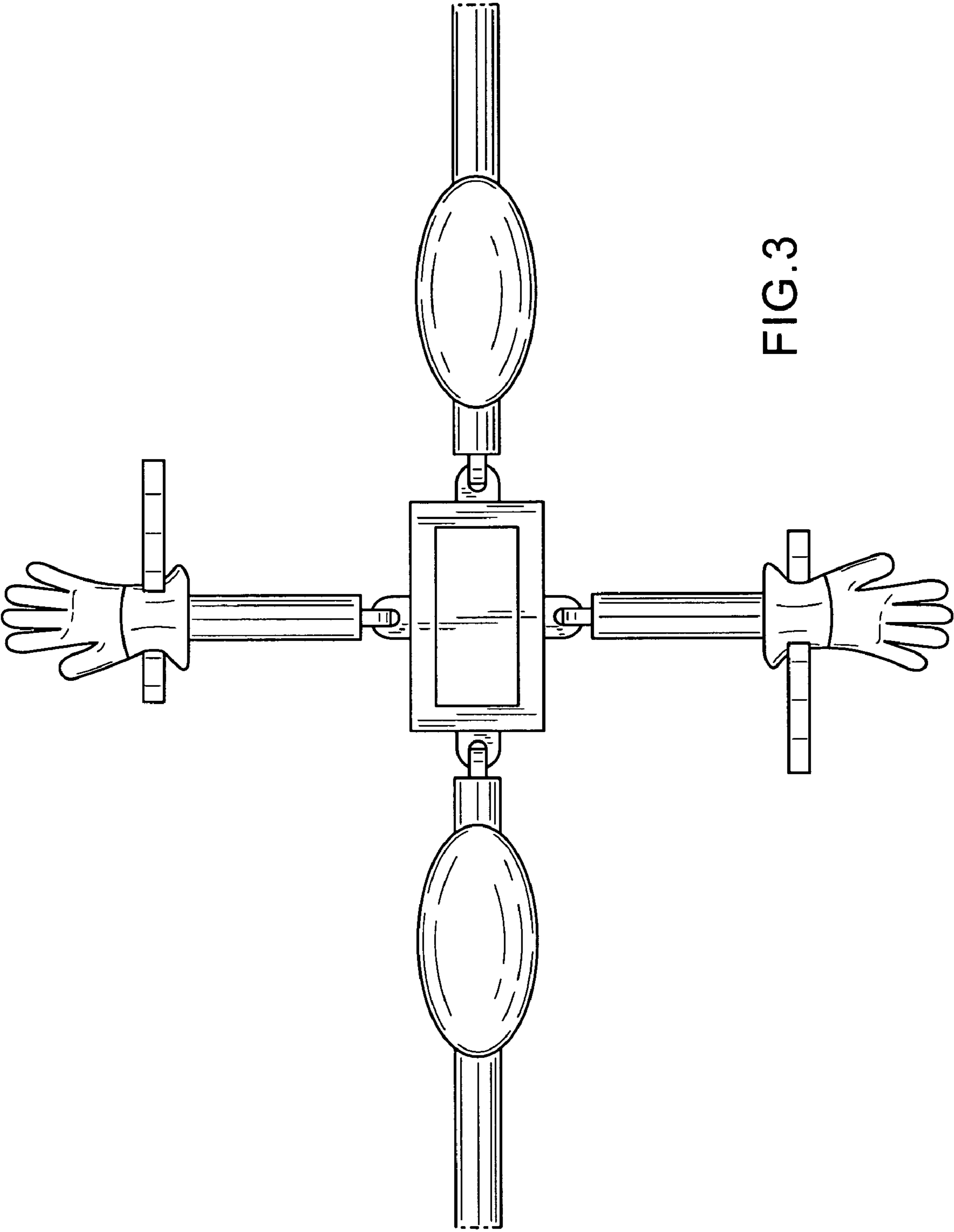


FIG.3

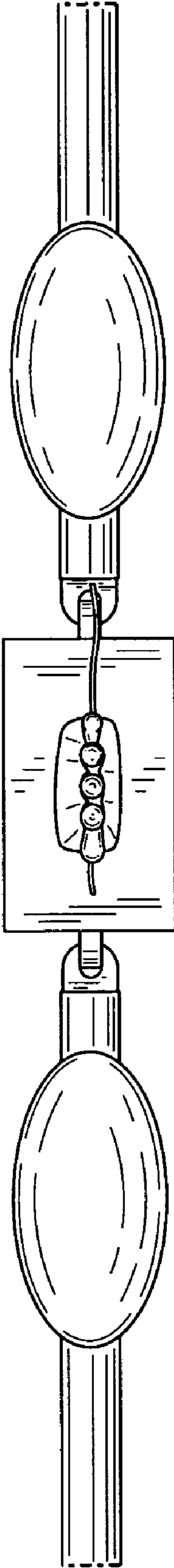


FIG.4

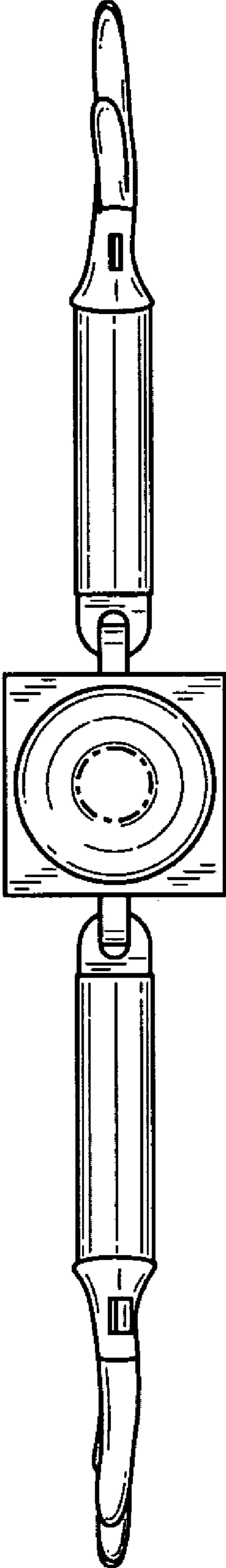


FIG. 5