



US00D612992S

(12) **United States Design Patent**
Sennett et al.

(10) **Patent No.:** **US D612,992 S**
(45) **Date of Patent:** **** Mar. 30, 2010**

(54) **PROTECTIVE COVER FOR A RAZOR CARTRIDGE**

(75) Inventors: **Richard Kevin Sennett**, Abington, MA (US); **Kelly Daniel Bridges**, Quincy, MA (US); **Douglas Robert Kohring**, Chelmsford, MA (US); **Carmen Gallo**, Lynn, MA (US)

(73) Assignee: **The Gillette Company**, Boston, MA (US)

(**) Term: **14 Years**

(21) Appl. No.: **29/339,915**

(22) Filed: **Jul. 10, 2009**

(51) **LOC (9) Cl.** **28-03**

(52) **U.S. Cl.** **D28/47**

(58) **Field of Classification Search** 30/32, 30/34.05, 34.1-34.2, 41, 44-46, 47-51, 57-58, 30/77-84, 526-536, 537-539; D28/44-49
See application file for complete search history.

(56) **References Cited**

U.S. PATENT DOCUMENTS

4,777,722 A	10/1988	Trotta	
4,833,779 A	5/1989	Iten	
D306,216 S *	2/1990	Gray D28/45
5,012,578 A	5/1991	Siefer	
5,095,621 A	3/1992	Rapp	

5,771,592 A	6/1998	Nizker	
5,893,213 A	4/1999	Motta	
6,539,633 B1	4/2003	Rebaudieres	
D490,569 S *	5/2004	Prochaska D28/47
D509,322 S *	9/2005	Wonderley et al. D28/46

* cited by examiner

Primary Examiner—Jennifer Rivard

(74) *Attorney, Agent, or Firm*—John M. Lipchitz; Kevin C. Johnson; Steven C. Miller

(57) **CLAIM**

The ornamental design for a protective cover for a razor cartridge, as shown and described.

DESCRIPTION

FIG. 1 is a front perspective of a protective cover for a razor cartridge;

FIG. 2 is front elevational view thereof;

FIG. 3 is a rear elevational view thereof;

FIG. 4 is a left side elevational view thereof;

FIG. 5 is a right side elevational view thereof;

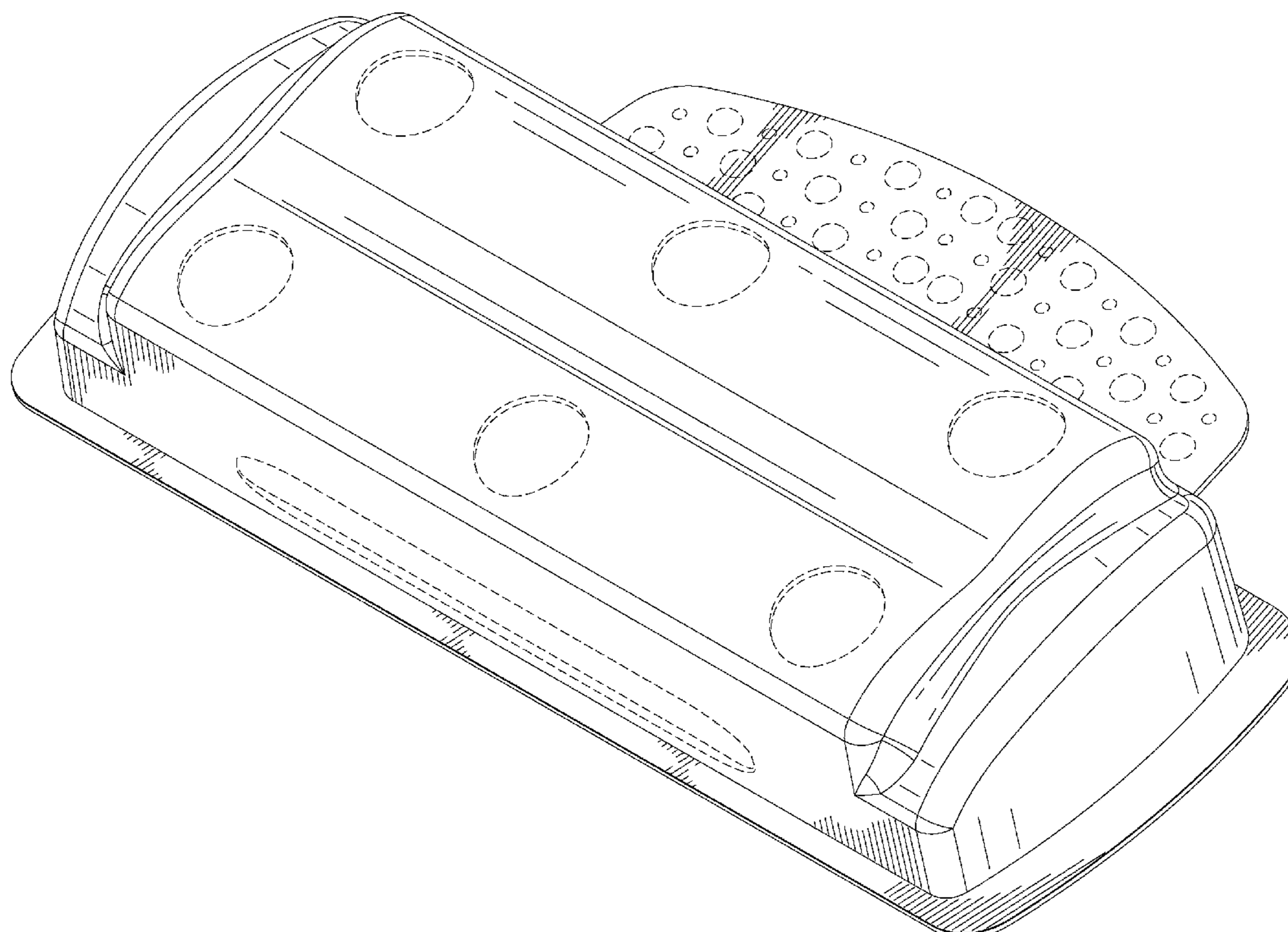
FIG. 6 is a top plan view thereof;

FIG. 7 is a bottom plan view thereof; and,

FIG. 8 is a rear perspective view thereof.

The broken lines are shown for illustrative purposes only and form no part of the claimed design.

1 Claim, 6 Drawing Sheets



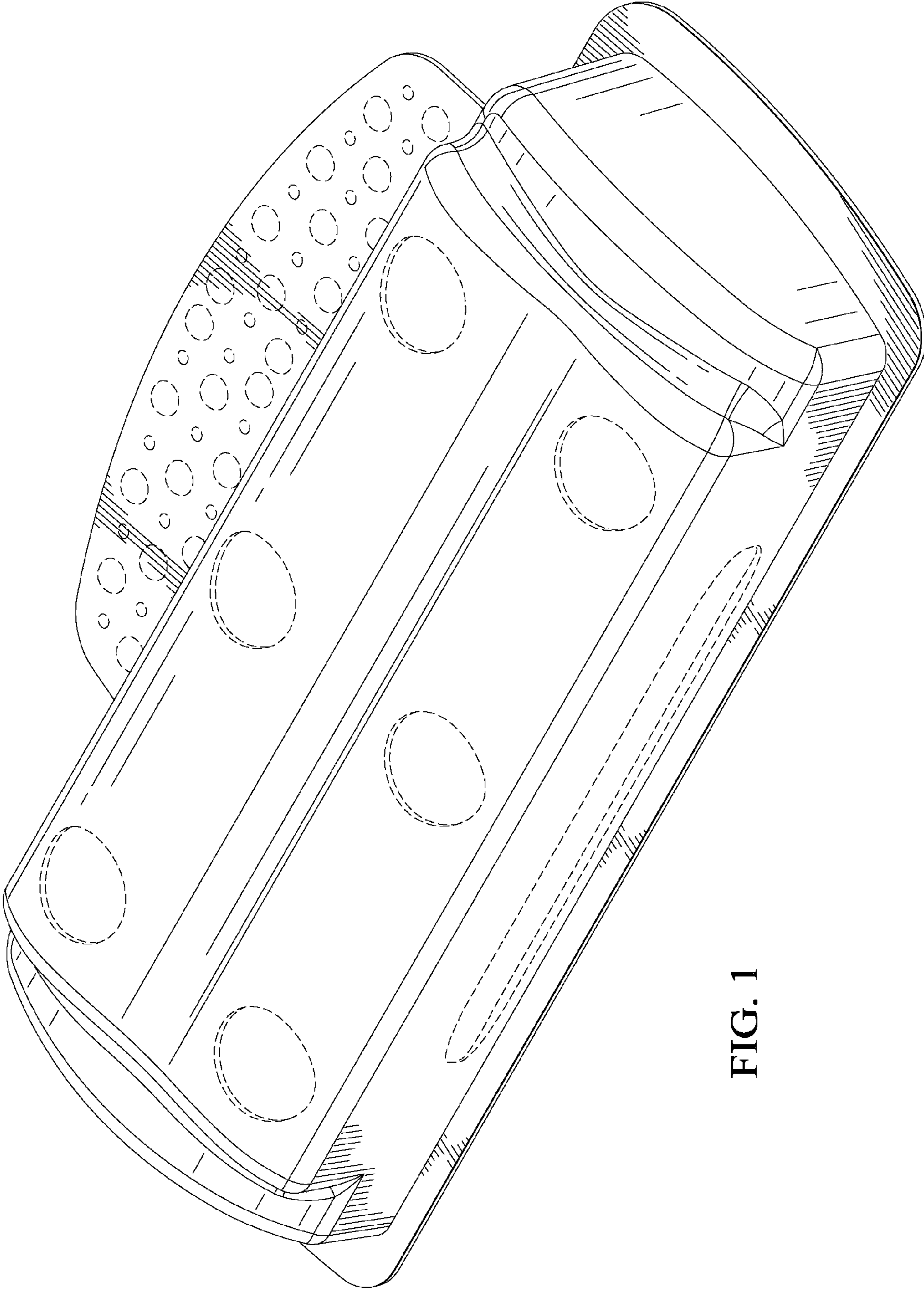


FIG. 1

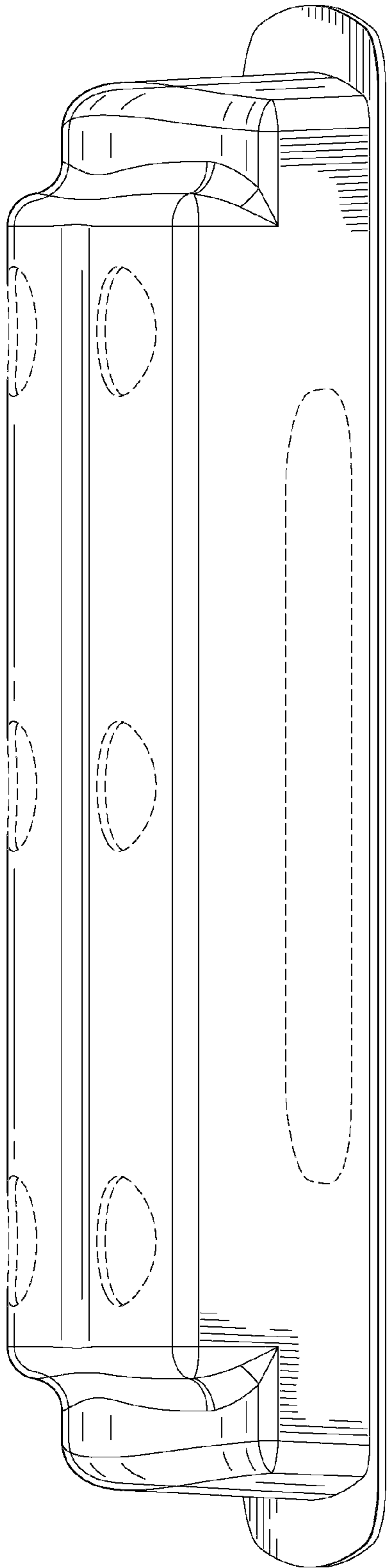


FIG. 2

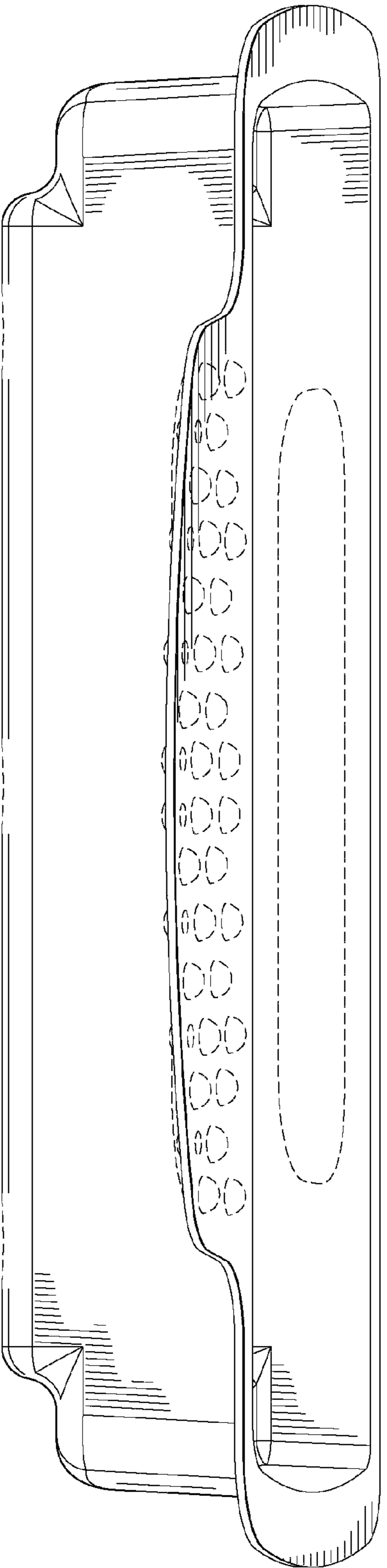


FIG. 3

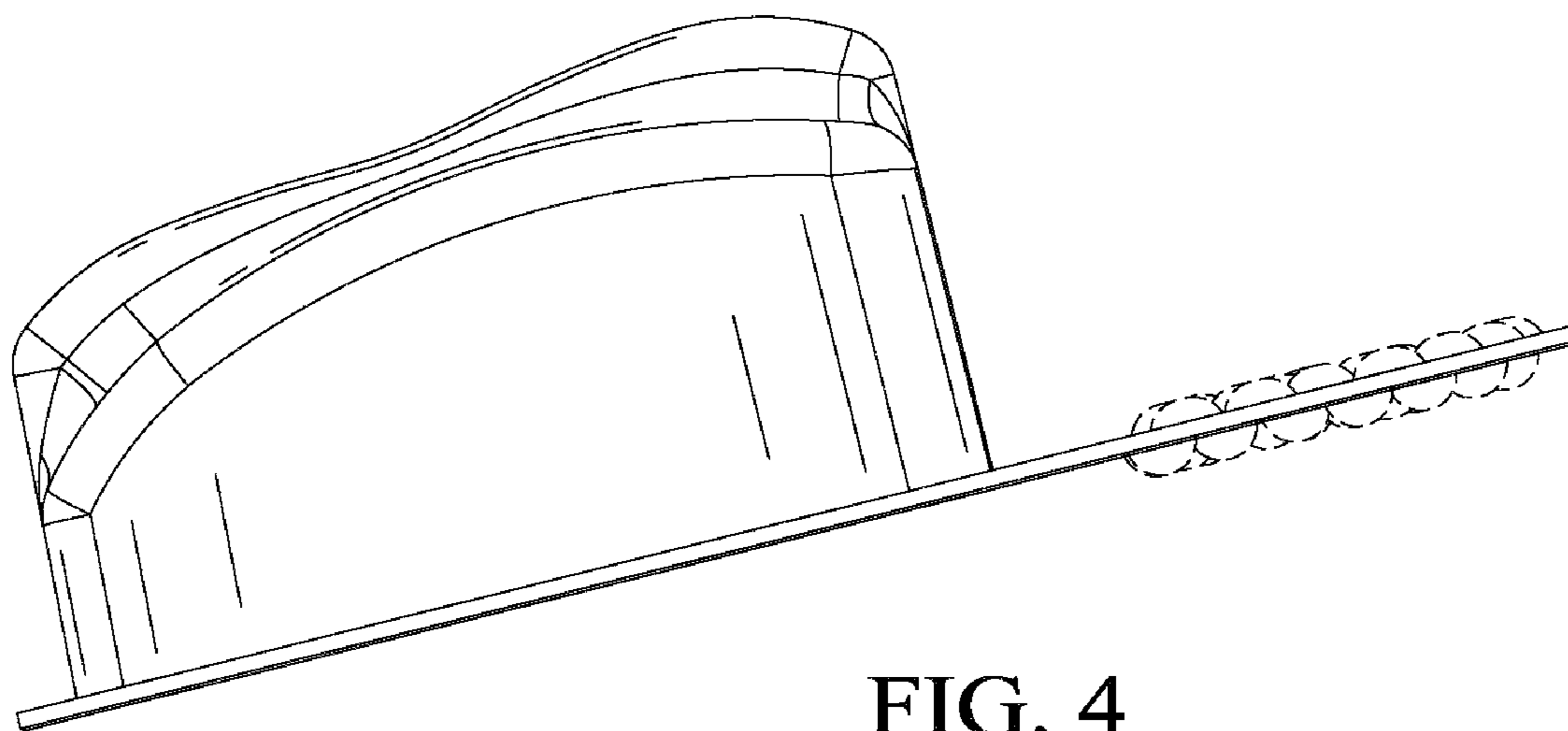


FIG. 4

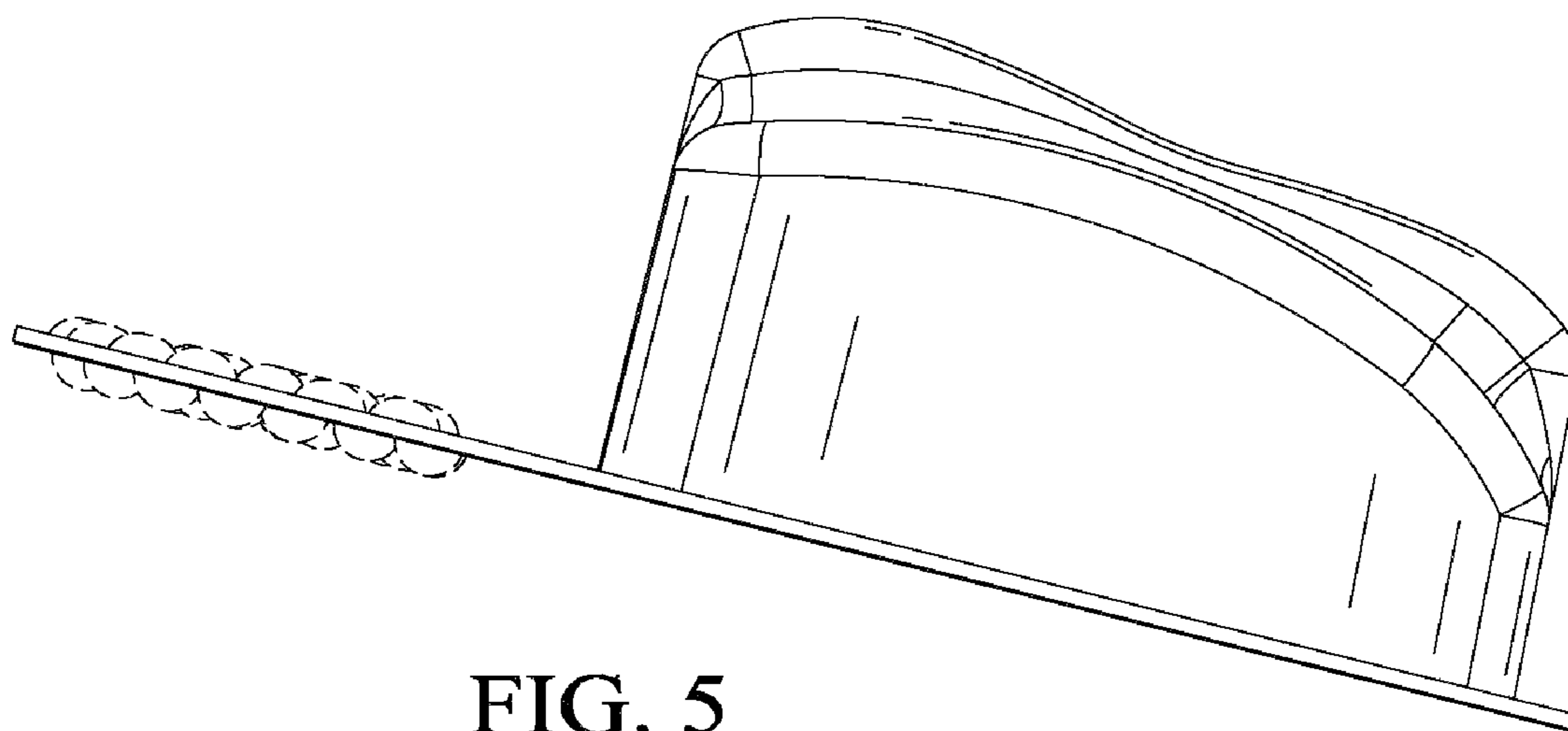


FIG. 5

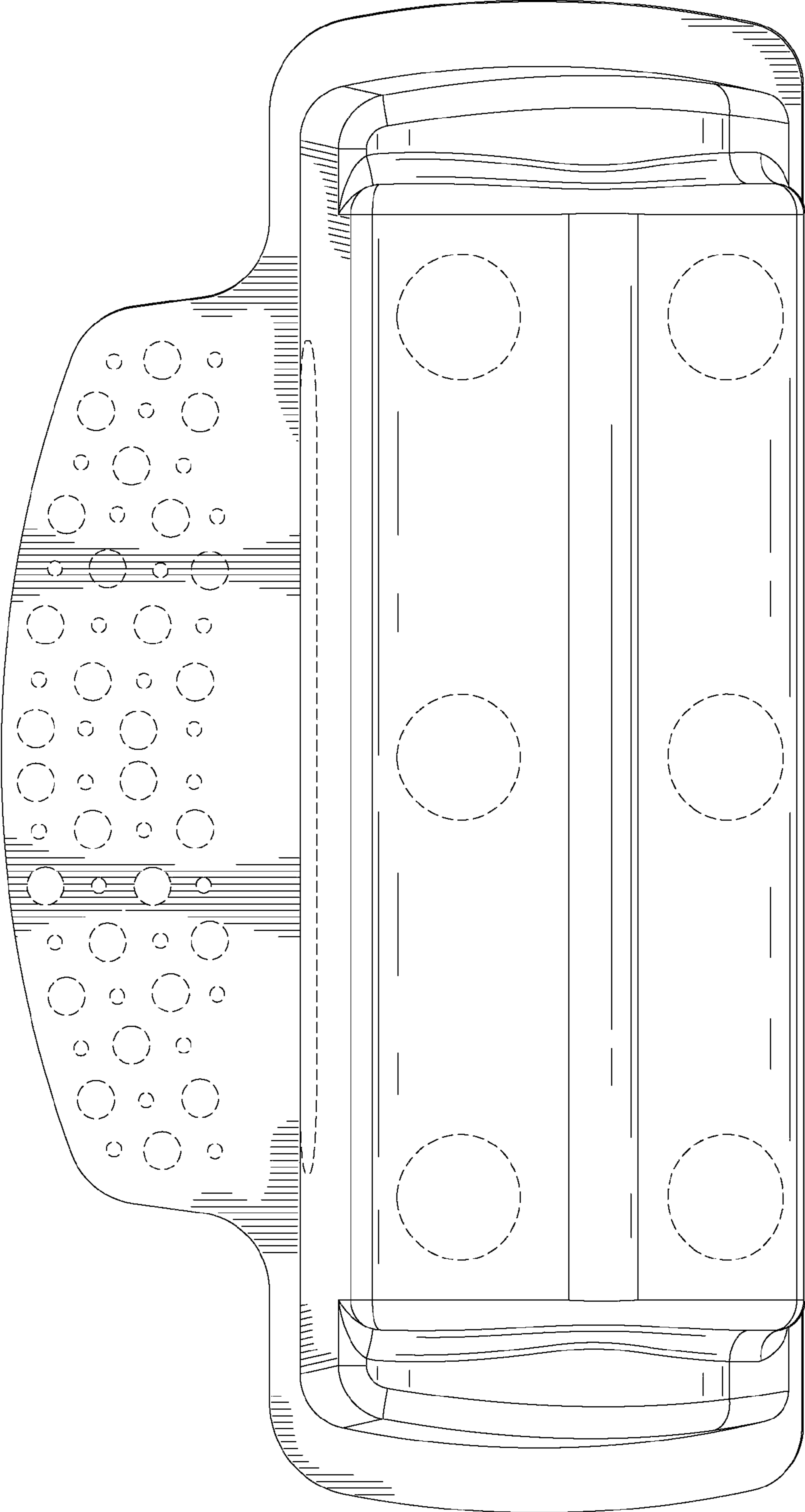


FIG. 6

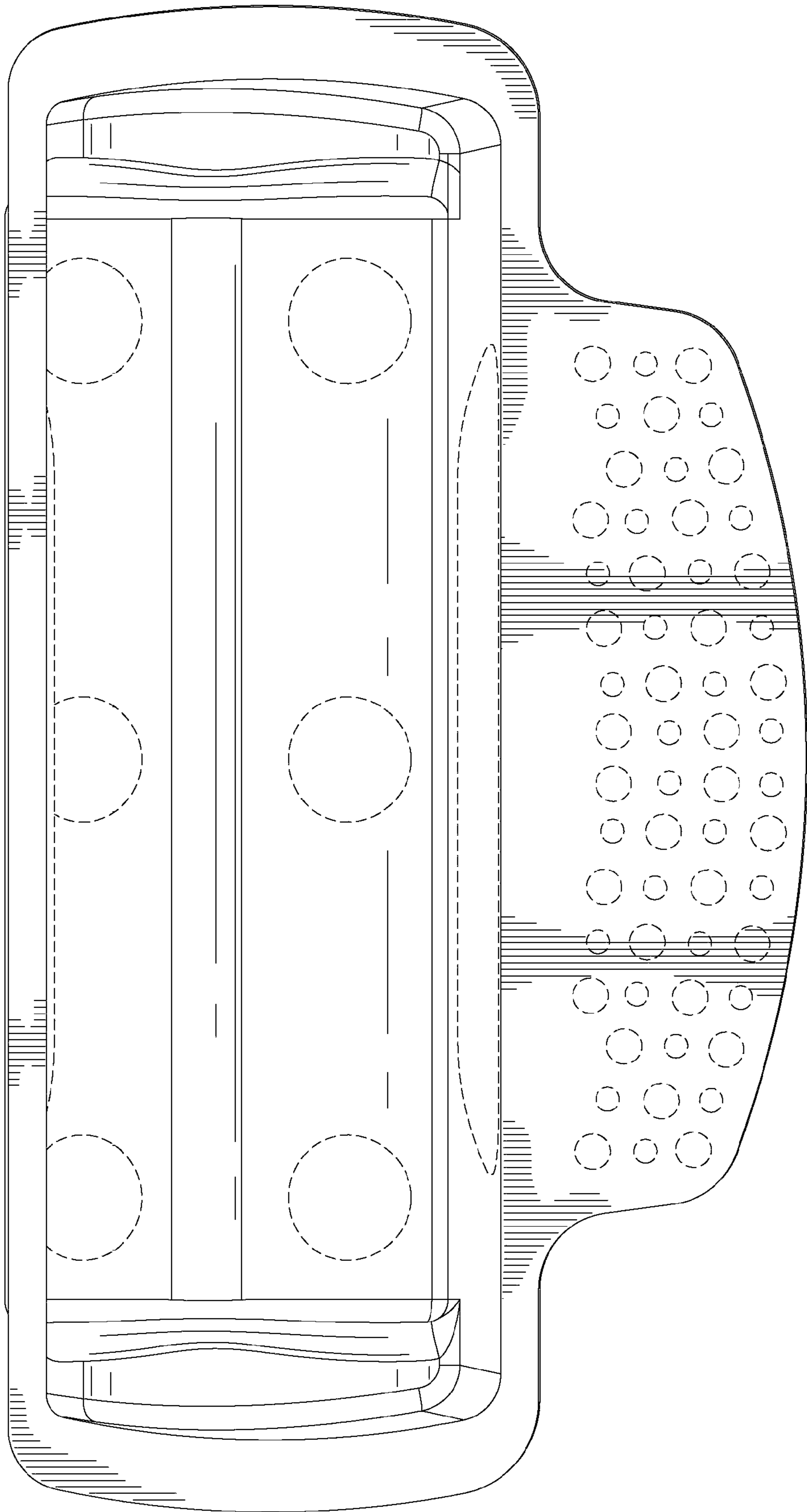


FIG. 7

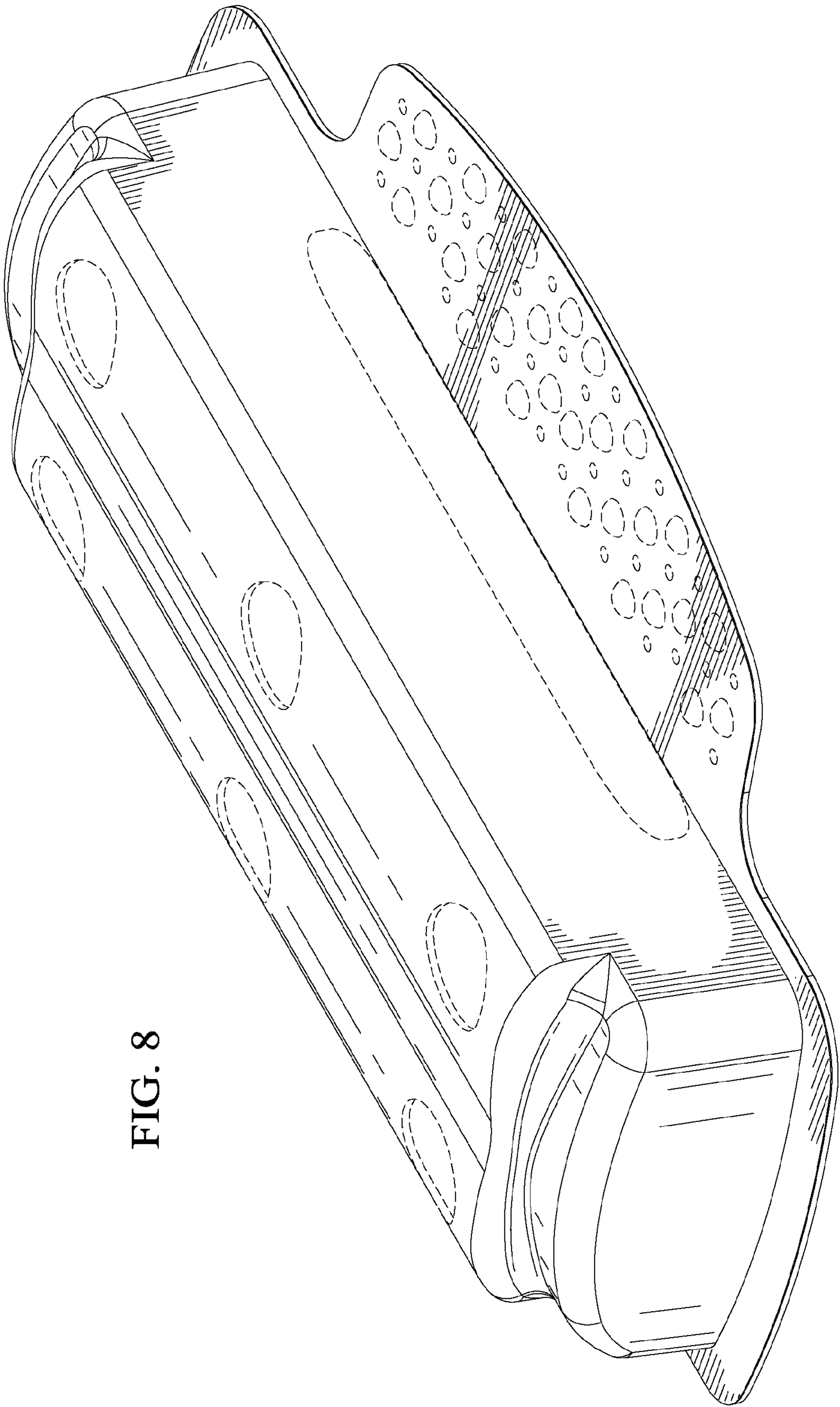


FIG. 8