



US00D612991S

(12) **United States Design Patent**
Cataudella

(10) **Patent No.:** **US D612,991 S**

(45) **Date of Patent:** **** Mar. 30, 2010**

(54) **SHAVING RAZOR HANDLE**

(75) Inventor: **Matthew Corey Cataudella**, South
Boston, MA (US)

(73) Assignee: **The Gillette Company**, Boston, MA
(US)

(**) Term: **14 Years**

(21) Appl. No.: **29/332,563**

(22) Filed: **Feb. 19, 2009**

(51) **LOC (9) Cl.** **28-03**

(52) **U.S. Cl.** **D28/47**

(58) **Field of Classification Search** 30/32,
30/34.05, 34.1-34.2, 41, 44-46, 47-51, 57-58,
30/77-84, 526-536, 537; D28/44-49
See application file for complete search history.

(56) **References Cited**

U.S. PATENT DOCUMENTS

1,497,647	A	6/1924	Smith	
1,651,917	A	12/1927	Connolly	
4,069,580	A	1/1978	Cartwright et al.	
D253,726	S *	12/1979	Schuman et al.	D28/46
4,392,303	A	7/1983	Ciaffone	
4,599,793	A	7/1986	Iten	
4,741,103	A	5/1988	Hultman	
4,791,724	A	12/1988	Dumas	
4,993,154	A	2/1991	Radcliffe	
5,331,740	A	7/1994	Carson, III et al.	
5,590,468	A	1/1997	Prochaska	
5,630,275	A	5/1997	Wexler	
D397,830	S *	9/1998	Gray	D28/48
5,855,071	A	1/1999	Apprille, Jr. et al.	
D467,387	S	12/2002	Wonderley	
6,584,696	B2	7/2003	Ferraro	
D485,012	S	1/2004	Zucker	

D534,314	S *	12/2006	Lee	D28/46
D542,471	S *	5/2007	Bunnell et al.	D28/48
D542,472	S *	5/2007	Sakurai	D28/48
D581,595	S *	11/2008	Micinilio et al.	D28/48
D590,995	S *	4/2009	Furuta	D28/48
D603,097	S *	10/2009	Cataudella	D28/47
D603,098	S *	10/2009	Cataudella	D28/48
2007/0193042	A1	8/2007	Worrick et al.	

FOREIGN PATENT DOCUMENTS

WO WO 2006/086314 A1 8/2006

* cited by examiner

Primary Examiner—Jennifer Rivard

(74) *Attorney, Agent, or Firm*—John M. Lipchitz; Kevin C. Johnson; Steven W. Miller

(57) **CLAIM**

The ornamental design for a shaving razor handle, as shown and described.

DESCRIPTION

FIG. 1 is a perspective view of a shaving razor handle of the present invention;

FIG. 2 is a front elevational view thereof;

FIG. 3 is rear elevational view thereof;

FIG. 4 is a right side elevational view thereof;

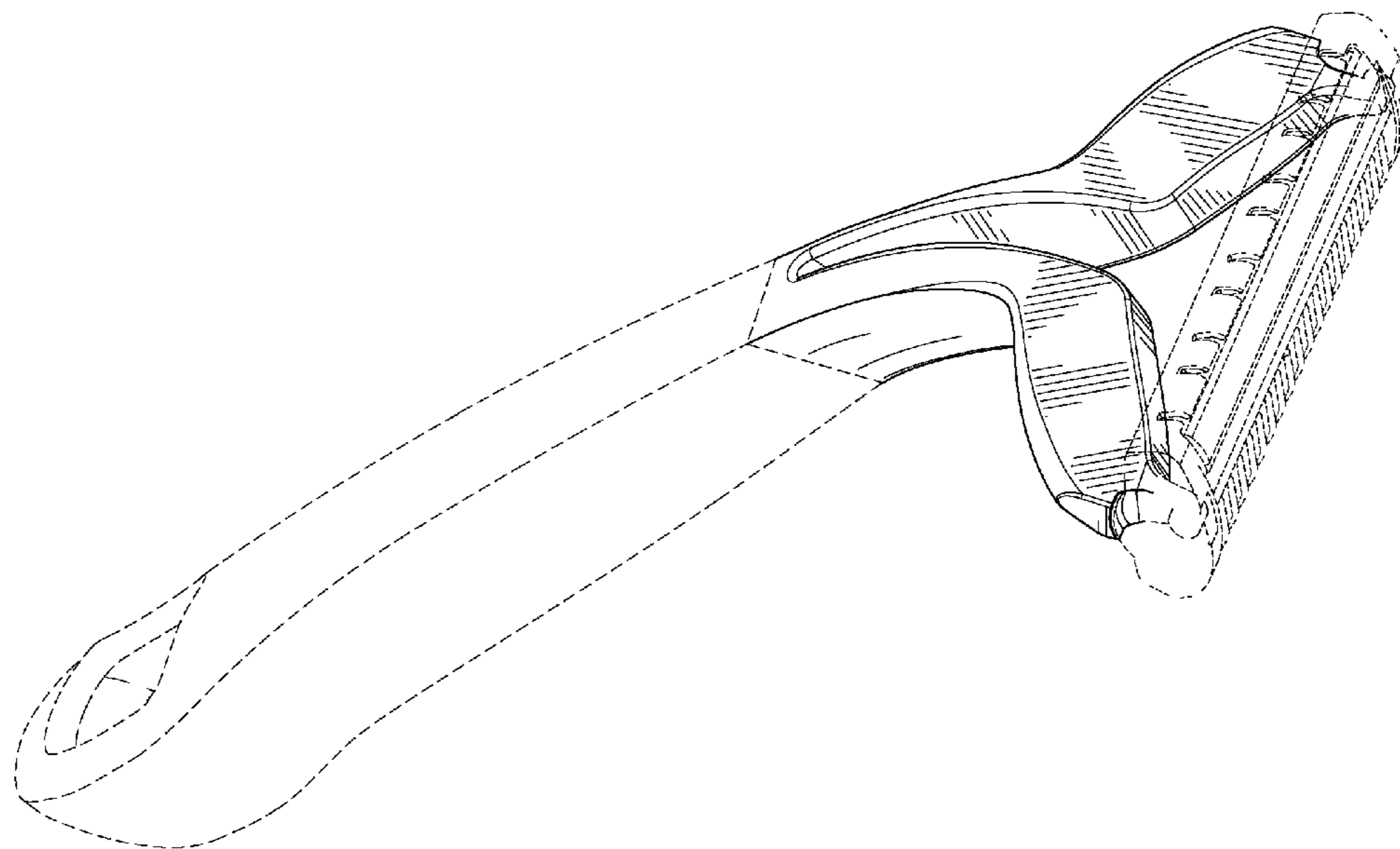
FIG. 5 is a left side elevational view thereof;

FIG. 6 is a top plan view thereof; and,

FIG. 7 is a bottom plan view thereof.

The broken lines that connect the solid contour lines of the handle define the bounds of the claimed design. All other broken lines are for illustrative purposes only. None of the broken lines form a part of the claimed design.

1 Claim, 6 Drawing Sheets



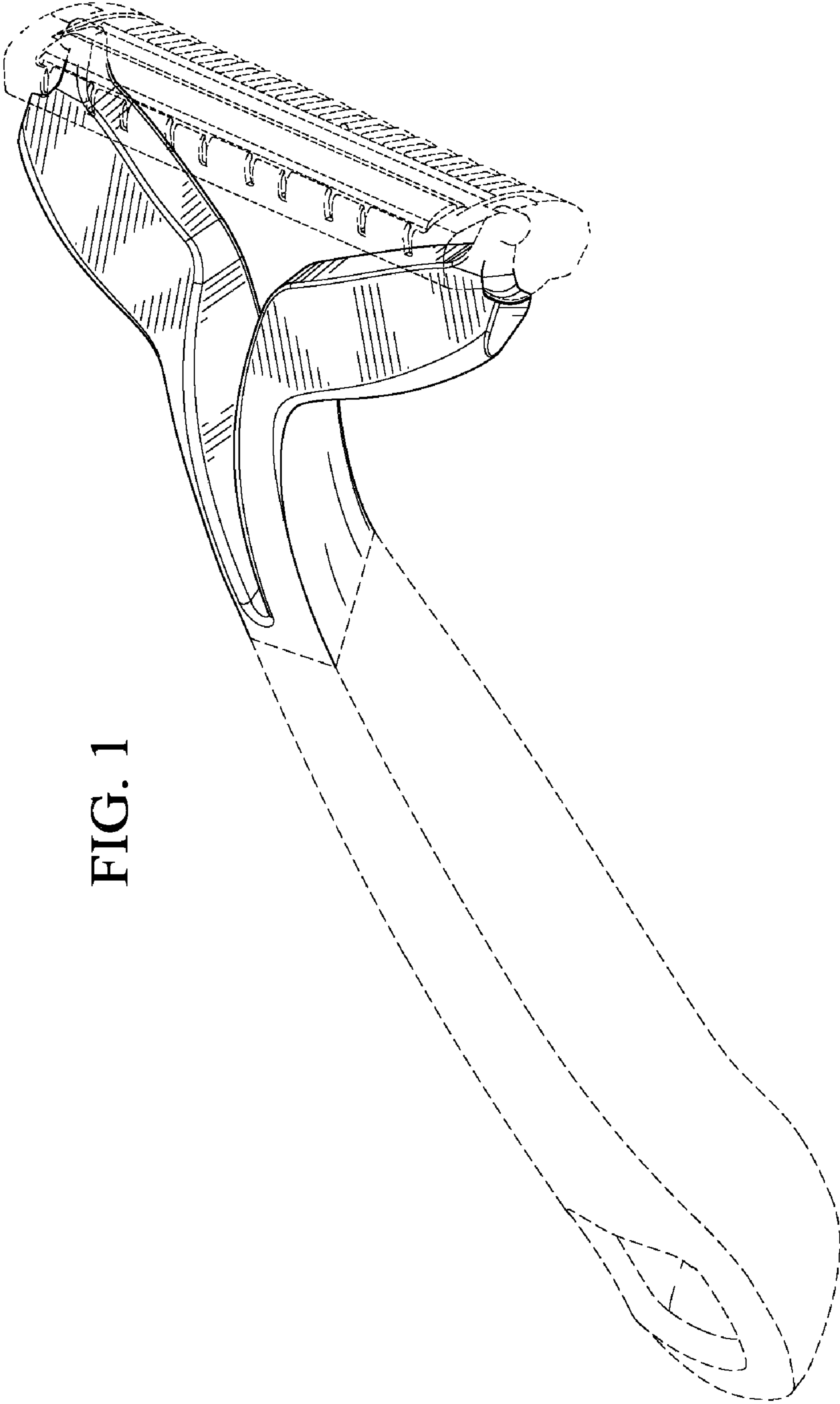


FIG. 1

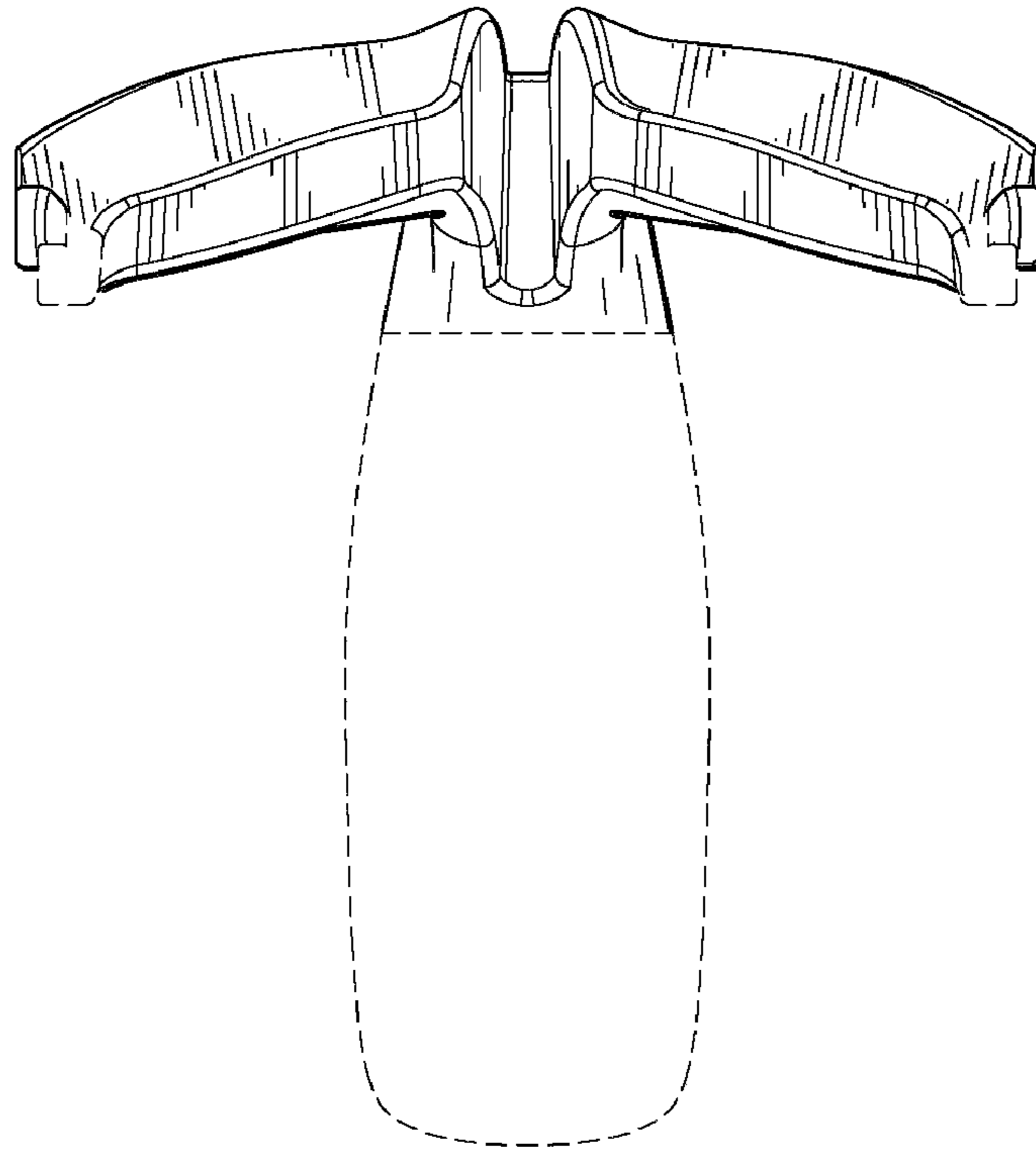


FIG. 2

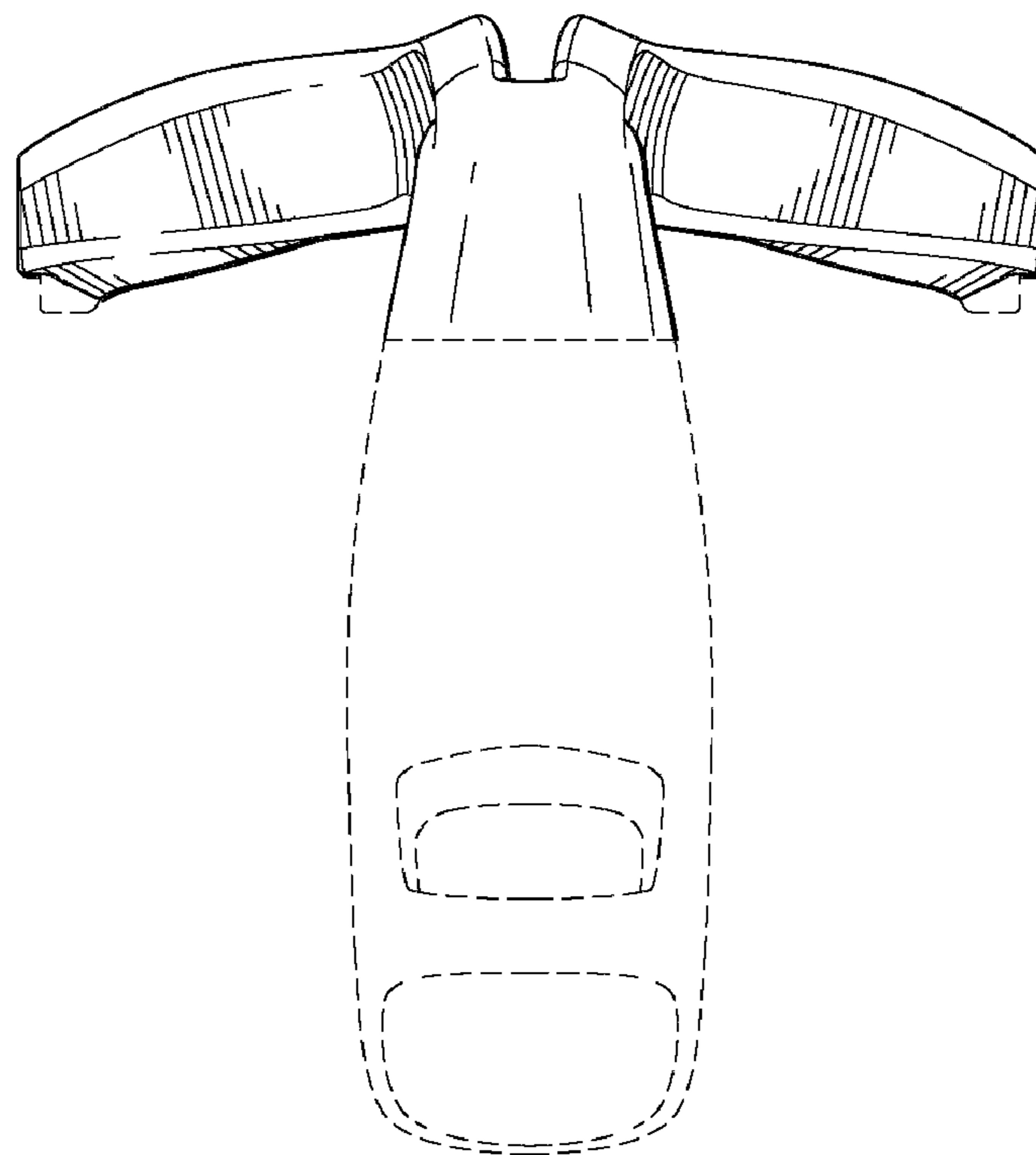
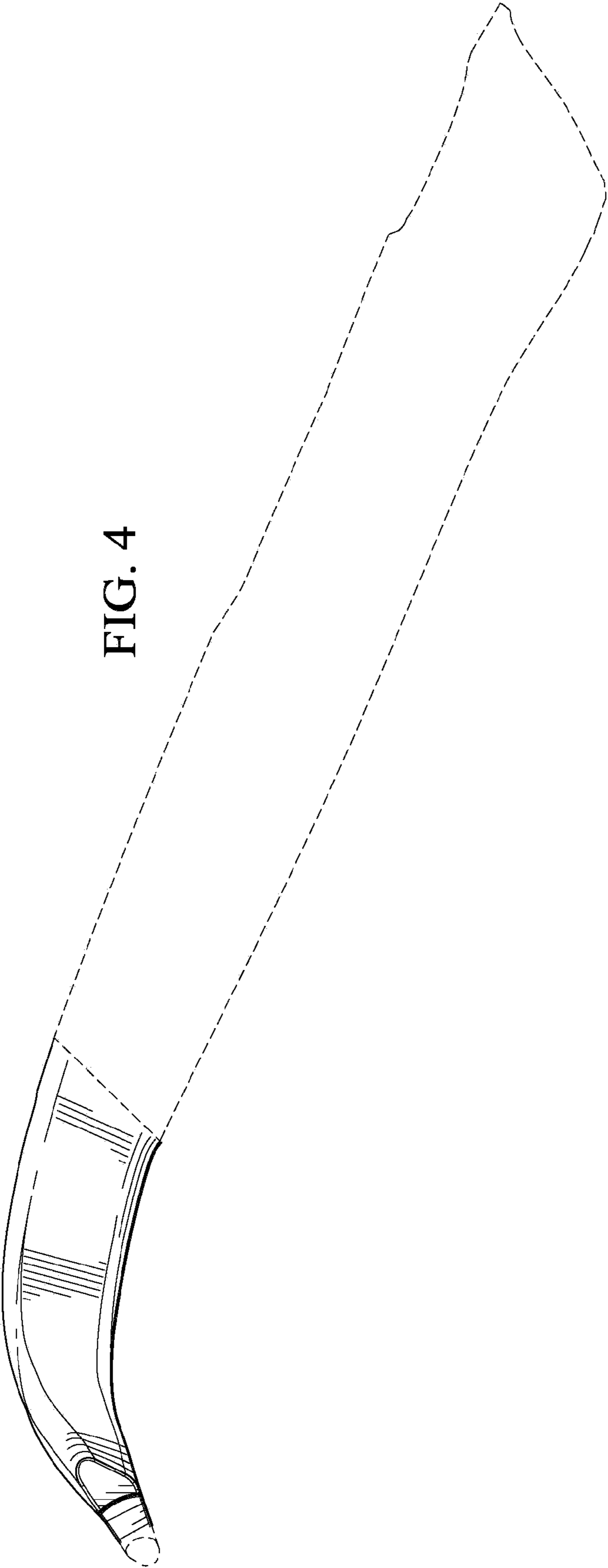


FIG. 3



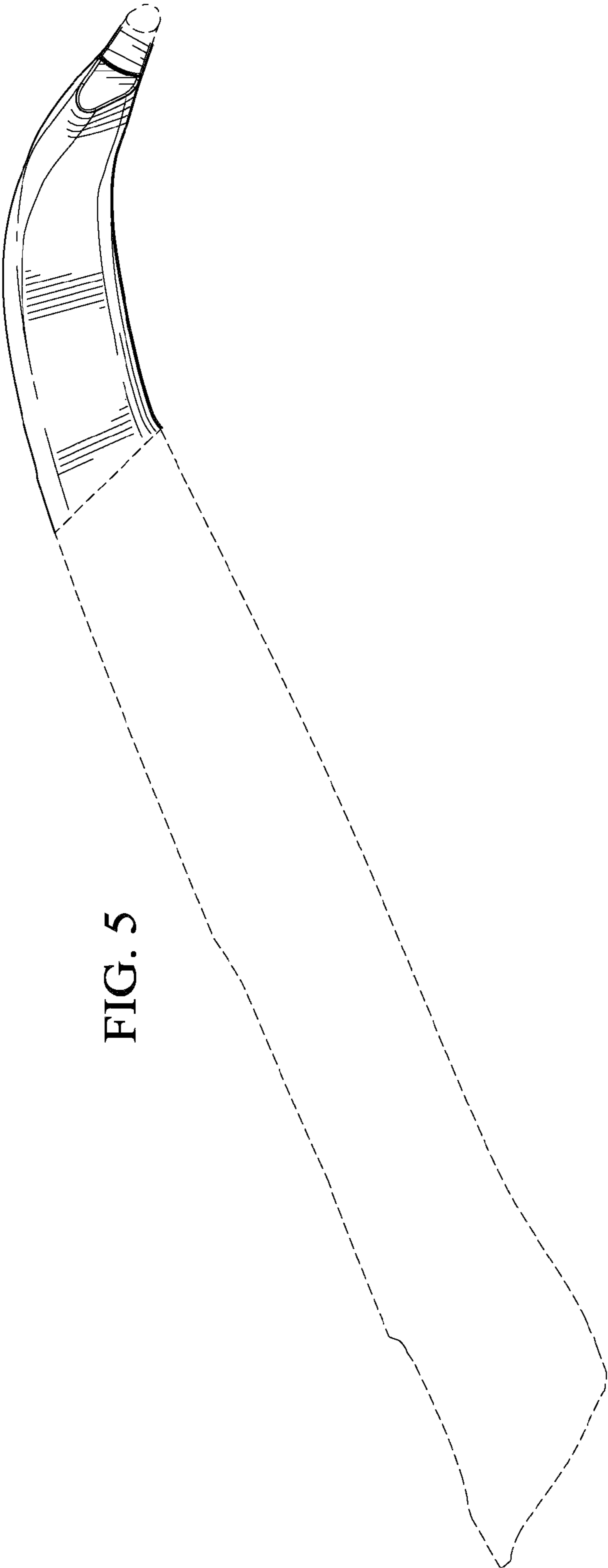


FIG. 5

FIG. 6

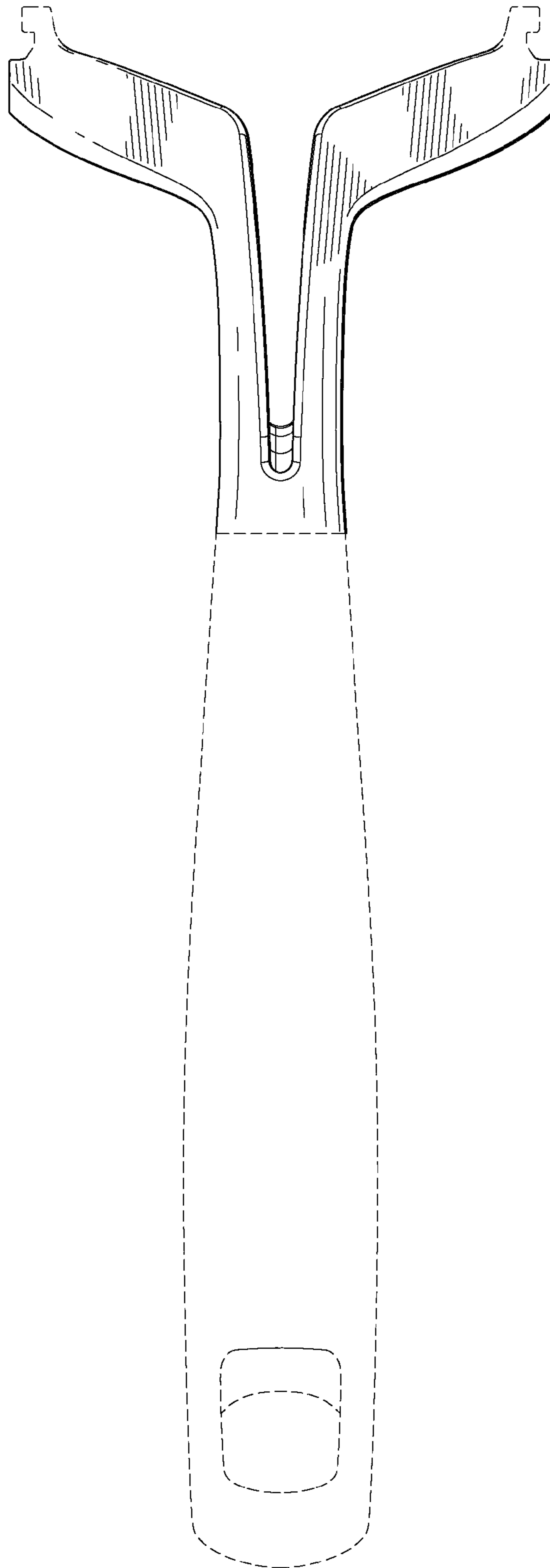


FIG. 7

