



US00D612980S

(12) **United States Design Patent**
Sobek

(10) **Patent No.:** **US D612,980 S**
(45) **Date of Patent:** **** Mar. 30, 2010**

(54) **ASHTRAY**
(76) **Inventor:** **Stuart Sobek**, 73-700 Dinah Shore Dr.,
Suite 403, Palm Desert, CA (US) 92211

D515,730 S * 2/2006 Weiss et al. D27/123
7,032,766 B2 * 4/2006 Luedecke et al. 220/576
7,055,714 B2 * 6/2006 Perelli et al. 220/576
D565,789 S * 4/2008 Yurk D27/123

(**) **Term:** **14 Years**

* cited by examiner

(21) **Appl. No.:** **29/333,287**

Primary Examiner—Dominic Simone
(74) *Attorney, Agent, or Firm*—Kelly Lowry & Kelley LLP

(22) **Filed:** **Mar. 5, 2009**

(57) **CLAIM**

(51) **LOC (9) Cl.** **14-02**
(52) **U.S. Cl.** **D27/106; D27/107**
(58) **Field of Classification Search** D27/102,
D27/104–107, 110–112, 122, 123, 131, 134,
D27/135; 131/233, 242; 220/576, 475, 480
See application file for complete search history.

The ornamental design for an ashtray, as shown.

DESCRIPTION

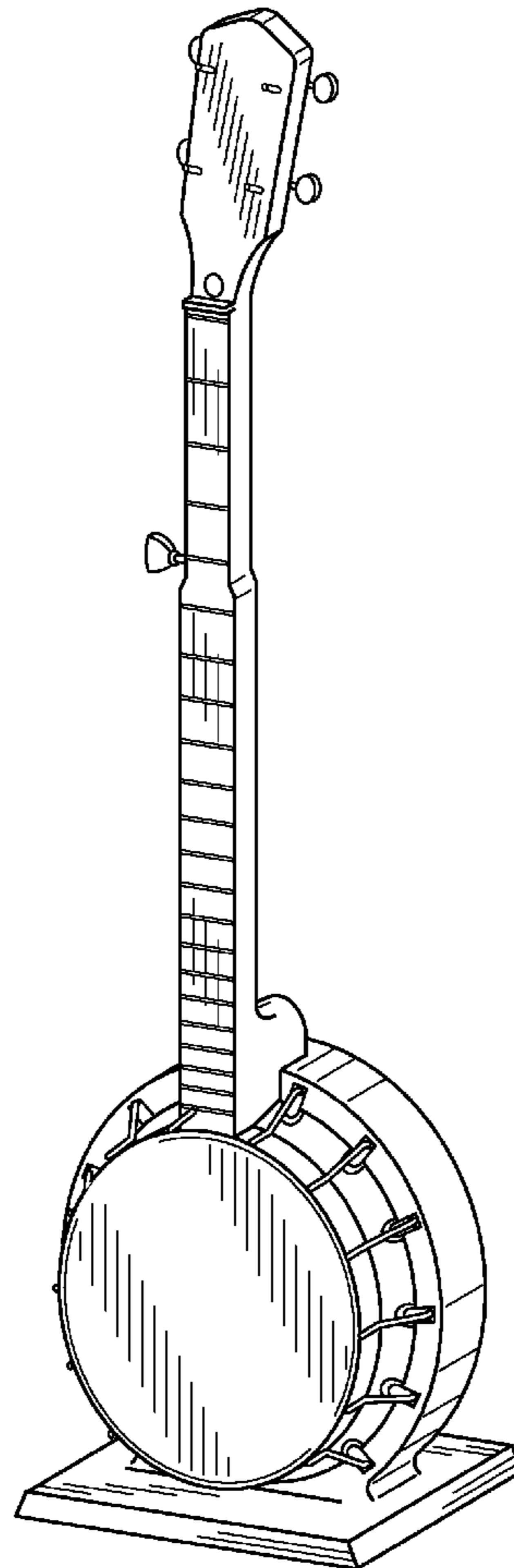
(56) **References Cited**

FIG. 1 is top, front and left-side perspective view of an ashtray
embodying my new design;
FIG. 2 is a front elevational view thereof;
FIG. 3 is a rear elevational view thereof;
FIG. 4 is a left-side elevational view thereof;
FIG. 5 is a right-side elevational view thereof;
FIG. 6 is a top plan view thereof; and,
FIG. 7 is a bottom plan view thereof.

U.S. PATENT DOCUMENTS

3,192,304 A * 6/1965 Rizzutti D17/14
D202,966 S * 11/1965 Messina D27/107
D207,568 S * 5/1967 Eppler D27/107
D247,926 S * 5/1978 Stelling D17/14
D452,929 S * 1/2002 Perelli D27/107
D480,504 S * 10/2003 Taylor D27/119

1 Claim, 2 Drawing Sheets



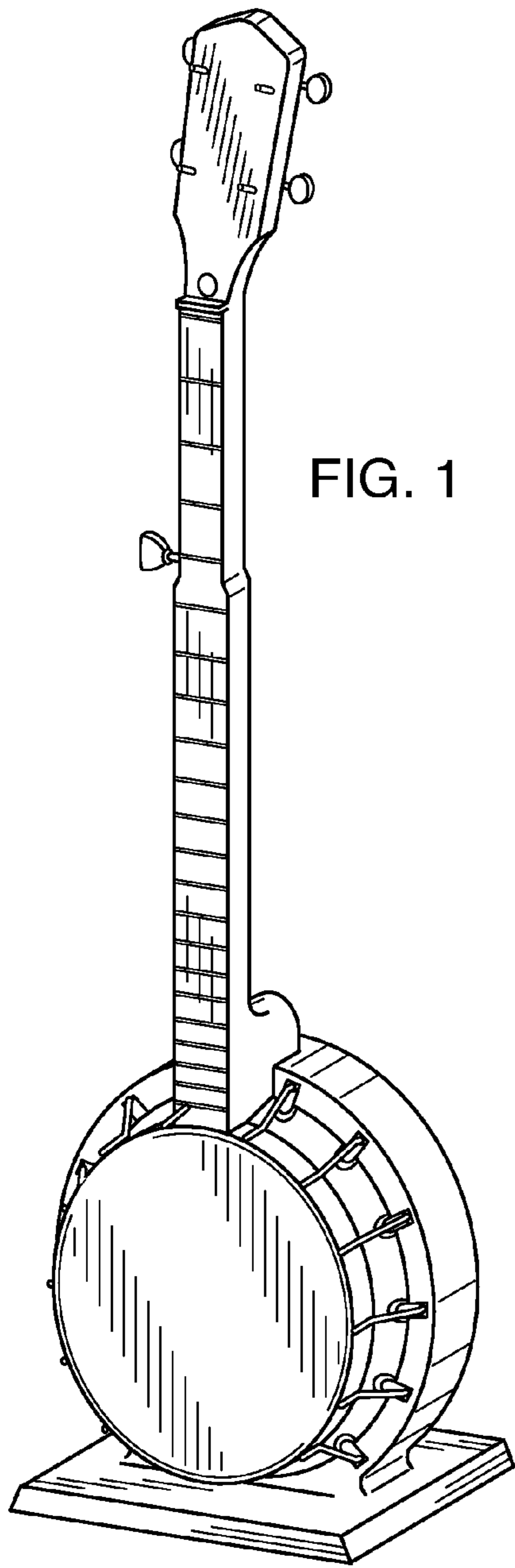


FIG. 1

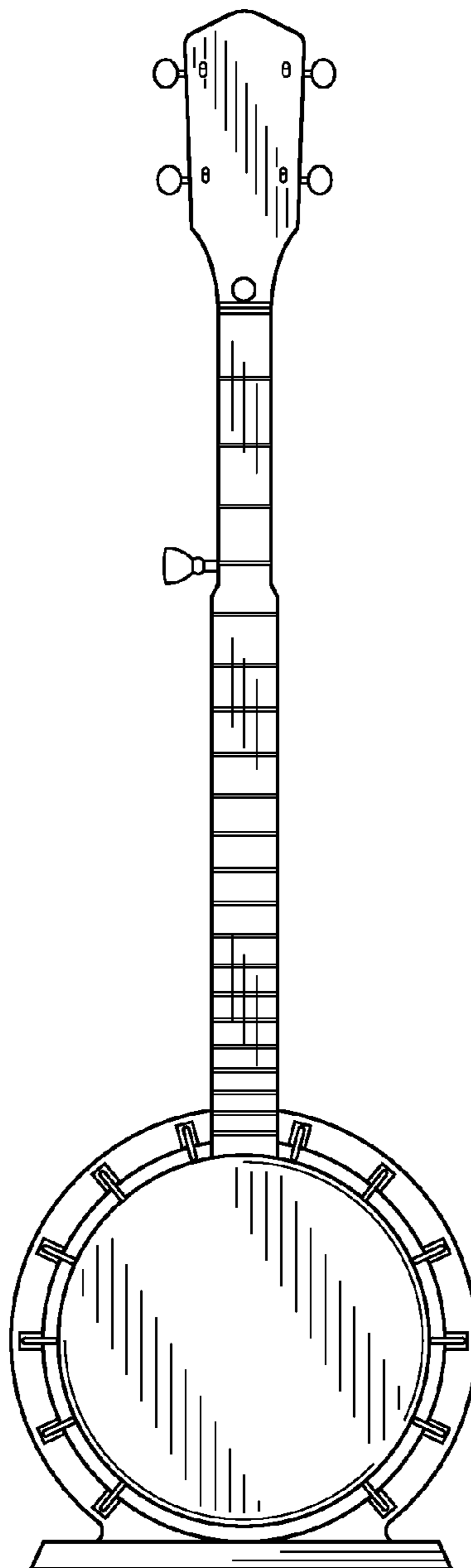


FIG. 2

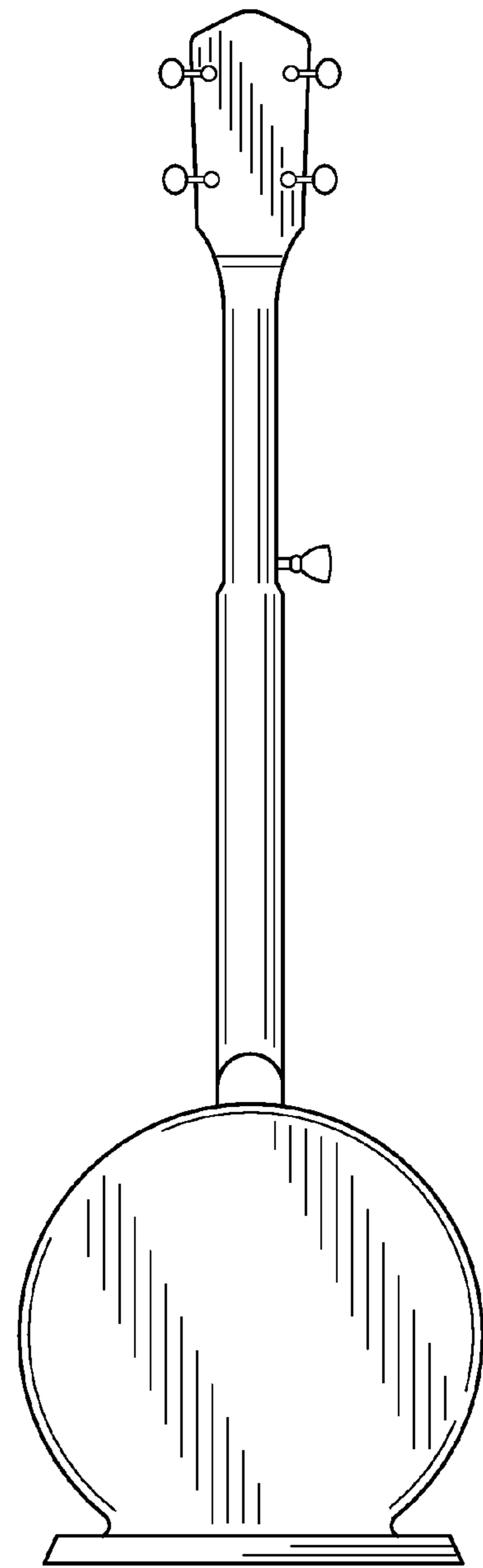


FIG. 3

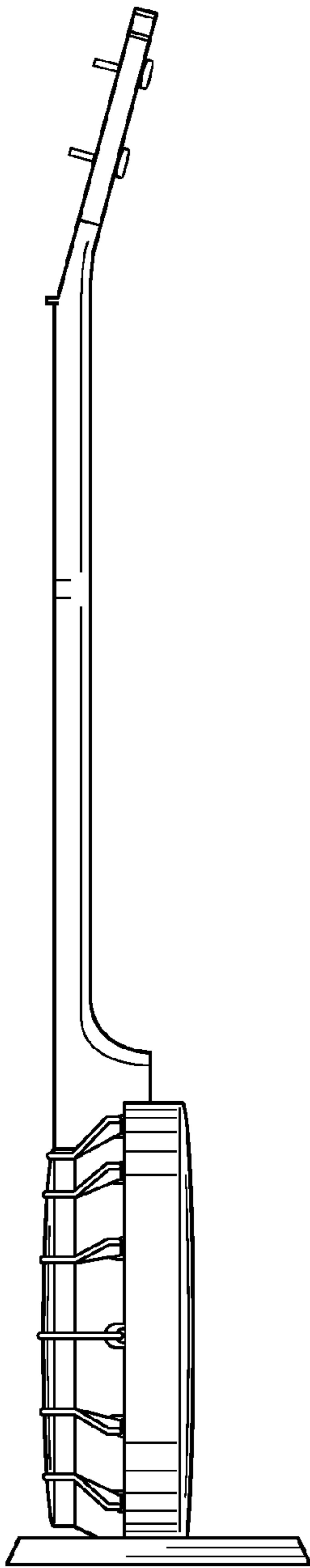


FIG. 4

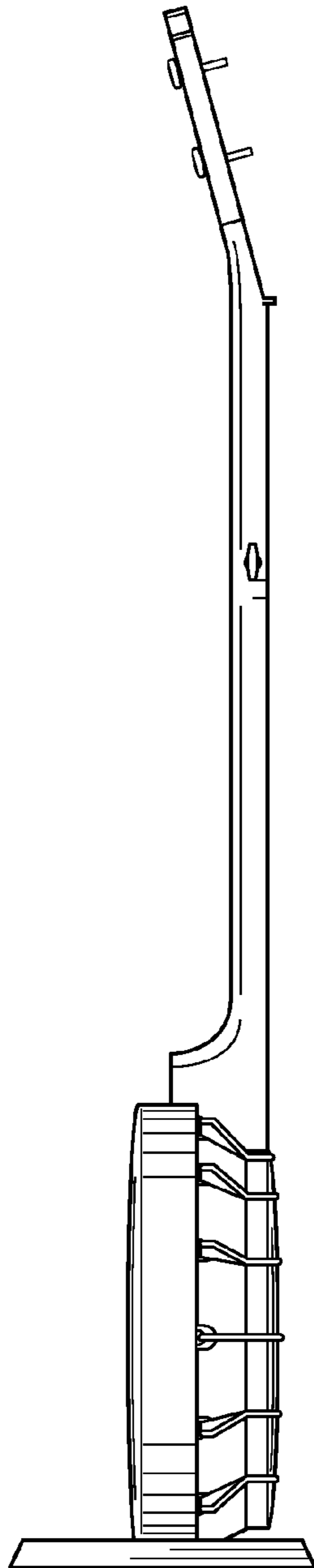


FIG. 5

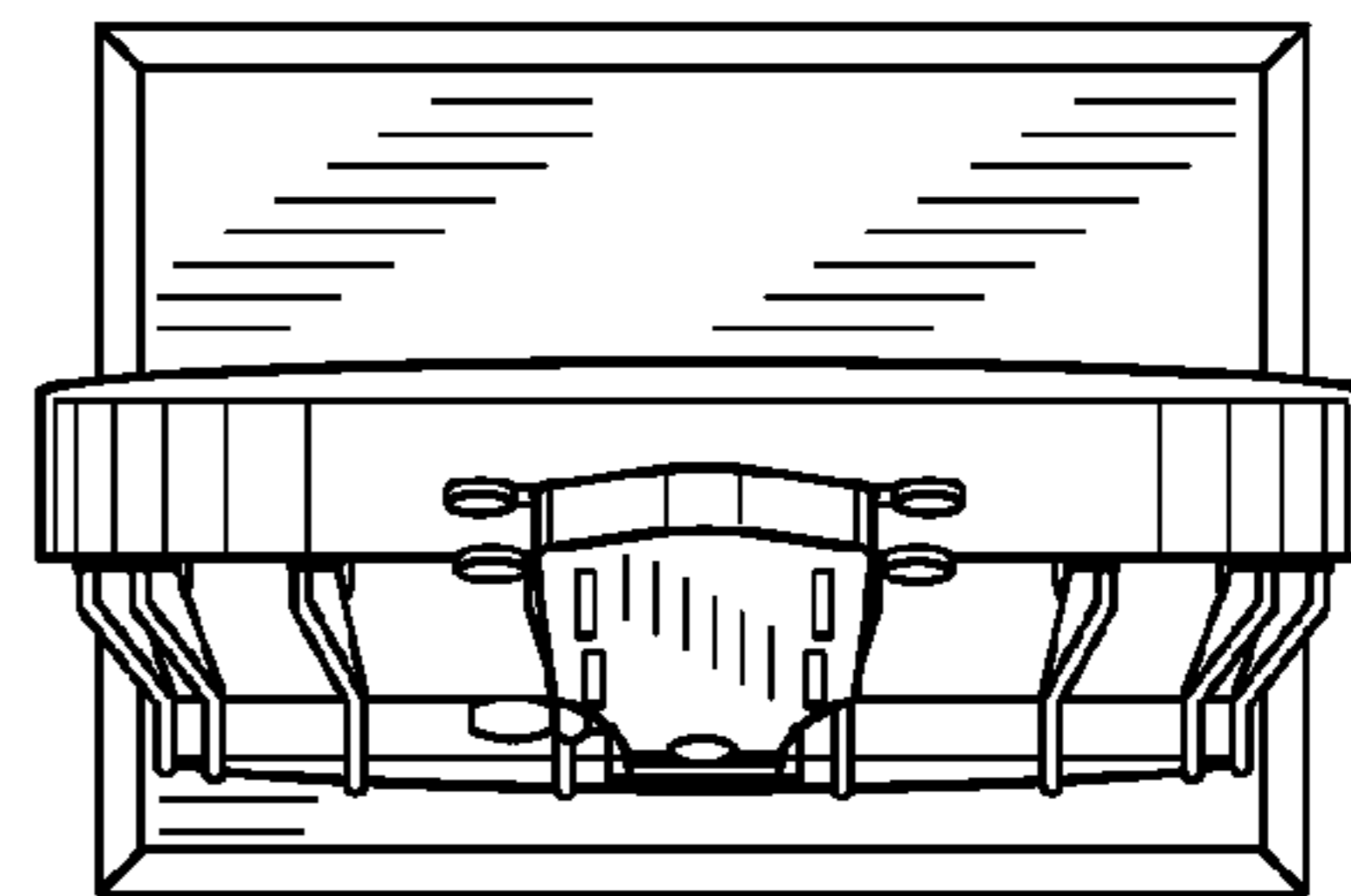


FIG. 6

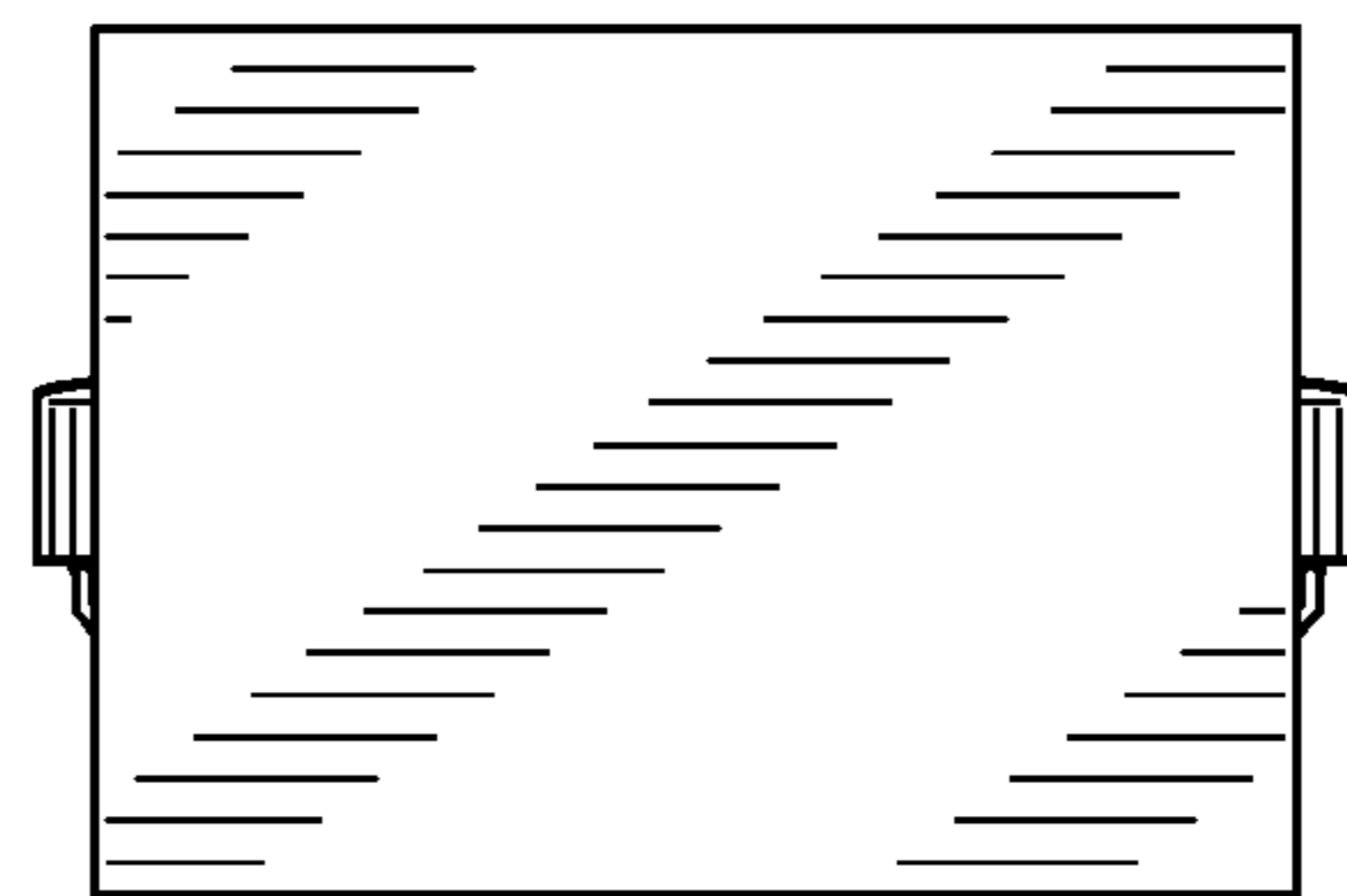


FIG. 7