



US00D612979S

(12) **United States Design Patent**
Holsinger

(10) **Patent No.:** **US D612,979 S**
(45) **Date of Patent:** **** Mar. 30, 2010**

(54) **LANTERN CARRY CASE**

(75) Inventor: **Philip M. Holsinger**, Arbor Vitae, WI
(US)

(73) Assignee: **The Coleman Company, Inc.**, Wichita,
KS (US)

(**) Term: **14 Years**

(21) Appl. No.: **29/330,400**

(22) Filed: **Jan. 6, 2009**

(51) **LOC (9) Cl.** **26-99**

(52) **U.S. Cl.** **D26/138**

(58) **Field of Classification Search** D13/136,
D13/134; 439/242, 241, 239, 236, 232; 362/233,
362/425, 371, 260, 217, 264, 321, 257, 282,
362/606, 561, 580, 125, 126, 181, 277, 285,
362/183, 649, 651, 657, 658, 659, 293, 294,
362/319, 370, 421, 427; D26/135, 113, 118,
D26/128, 37, 138, 63, 65, 2, 78, 3, 24, 26,
D26/49, 59, 60, 61, 64, 72, 75, 79, 93, 129,
D26/130, 132, 133, 134, 136, 137, 140, 141,
D26/142, 152, 153, 40; 353/82, 31, 46, 49,
353/98, 119, 71; 206/591; D16/221, 228,
D16/230, 232, 231; 250/372

See application file for complete search history.

(56) **References Cited**

U.S. PATENT DOCUMENTS

3,337,027 A * 8/1967 Gray 206/591
D298,172 S * 10/1988 Yuen D26/42
D392,061 S * 3/1998 Lo D26/42

5,775,530 A * 7/1998 Attaway 220/4.22
6,042,366 A 3/2000 Long et al.
D479,890 S * 9/2003 Jacobs D26/40
D503,006 S 3/2005 May et al.
D514,719 S * 2/2006 Krieger et al. D26/40
D532,133 S * 11/2006 Holsinger et al. D26/40
D570,510 S * 6/2008 DeBrunner D26/40

* cited by examiner

Primary Examiner—Cathron C Brooks
Assistant Examiner—Kevin K Rudzinski
(74) *Attorney, Agent, or Firm*—Kelly S. Elsea

(57) **CLAIM**

The ornamental design for a lantern carry case, as shown and described.

DESCRIPTION

FIG. 1 is a front side perspective view of my lantern carry case;

FIG. 2 is a front elevation view thereof;

FIG. 3 is a rear elevation view thereof;

FIG. 4 is a left side elevation view thereof;

FIG. 5 is a right side elevation view thereof;

FIG. 6 is a top plan view thereof; and

FIG. 7 is a bottom plan view thereof; and,

FIG. 8 is a perspective view showing the carry case in an open configuration.

The broken line showing is for illustrative purposes only and forms no part of the claimed design.

1 Claim, 6 Drawing Sheets

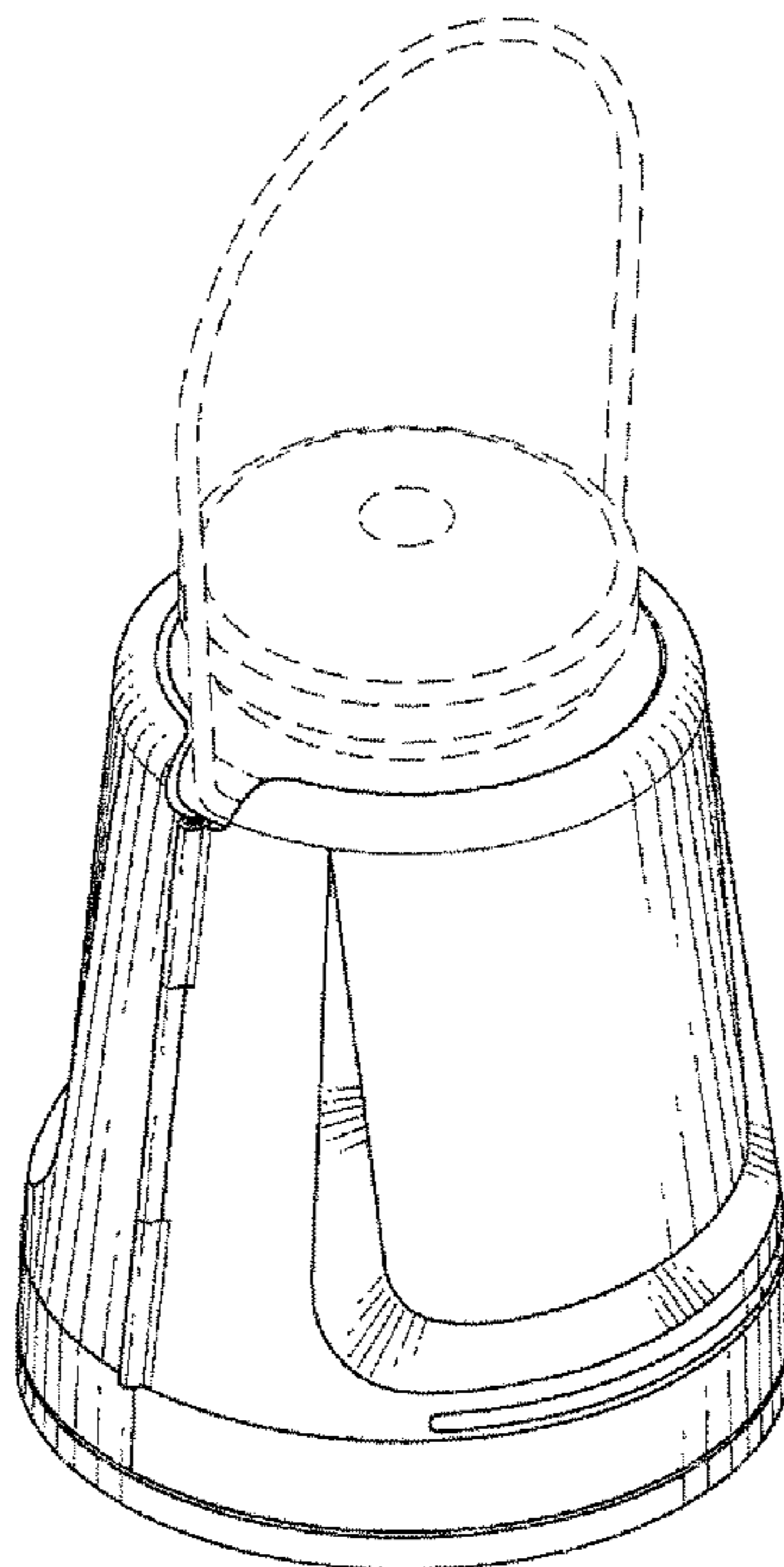


FIG. 1

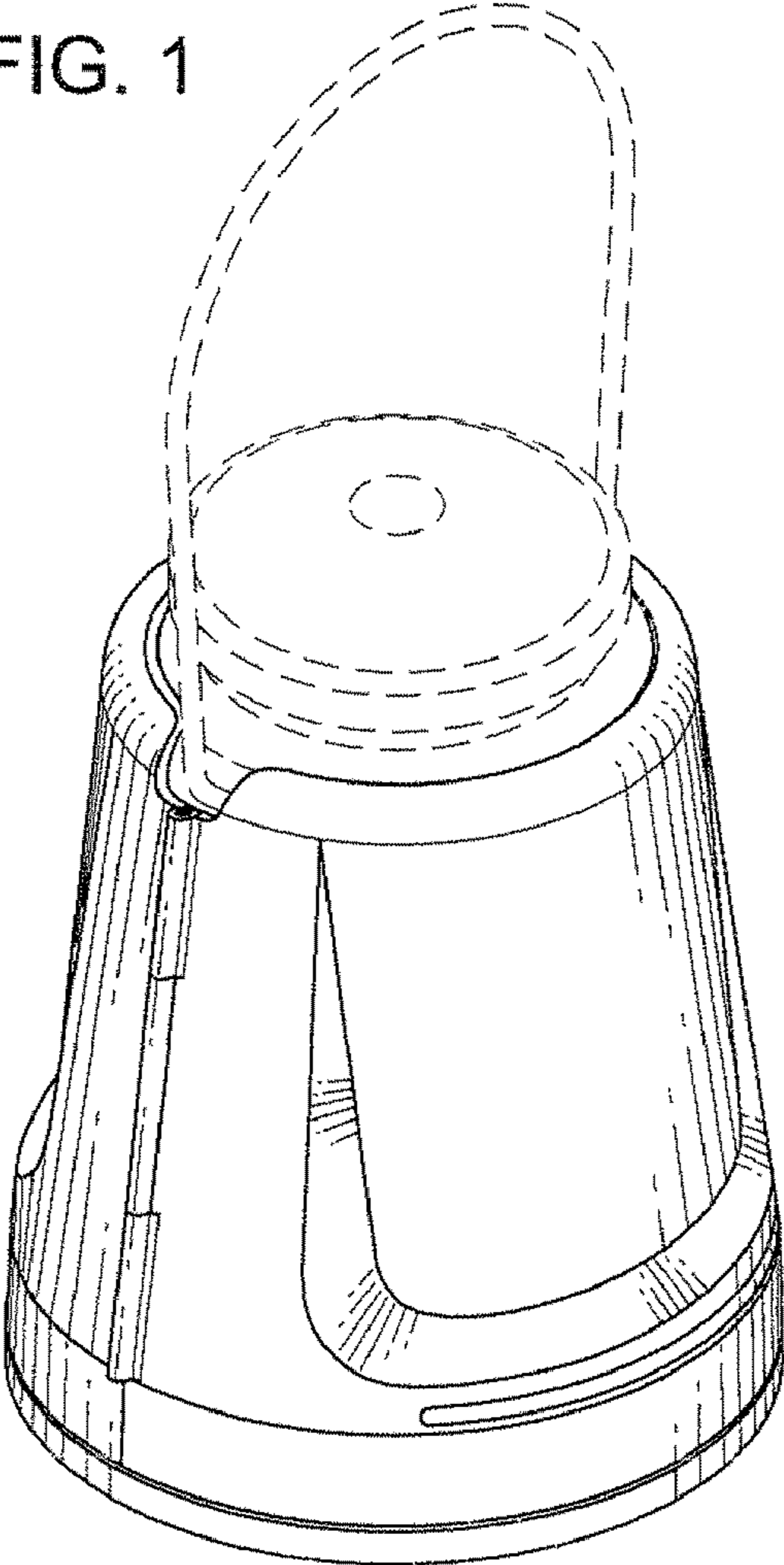


FIG. 2

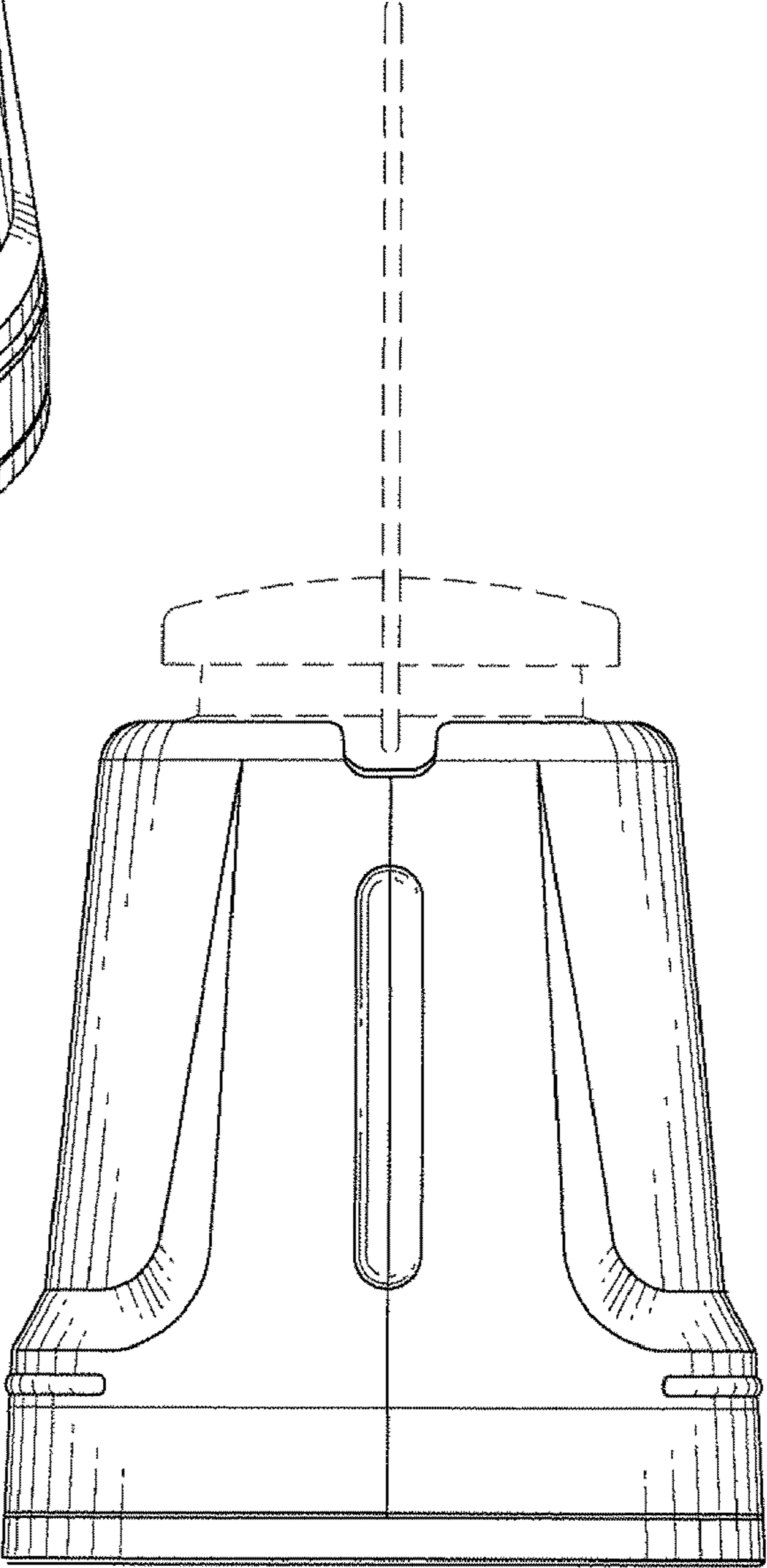


FIG. 3

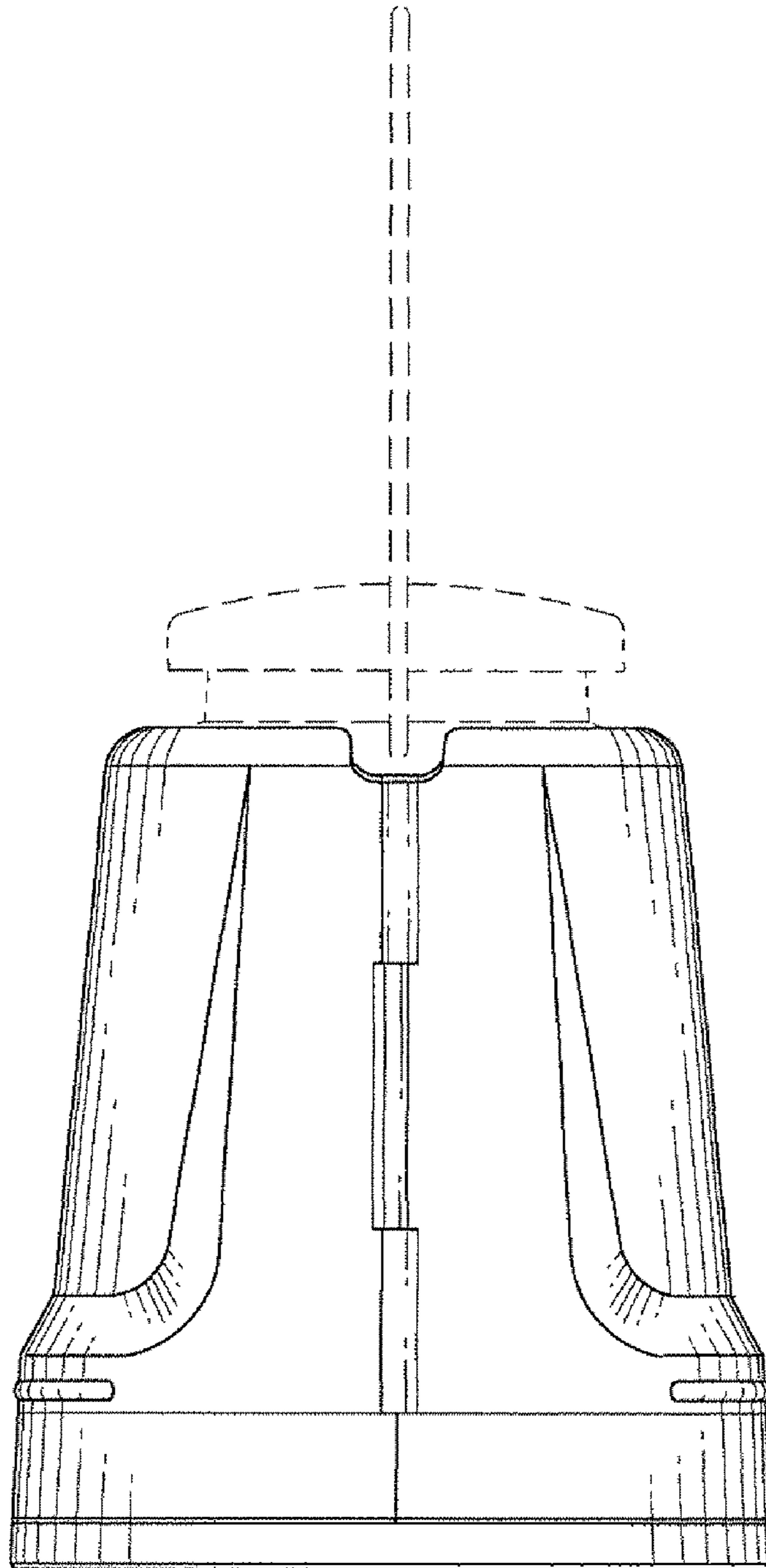


FIG. 4

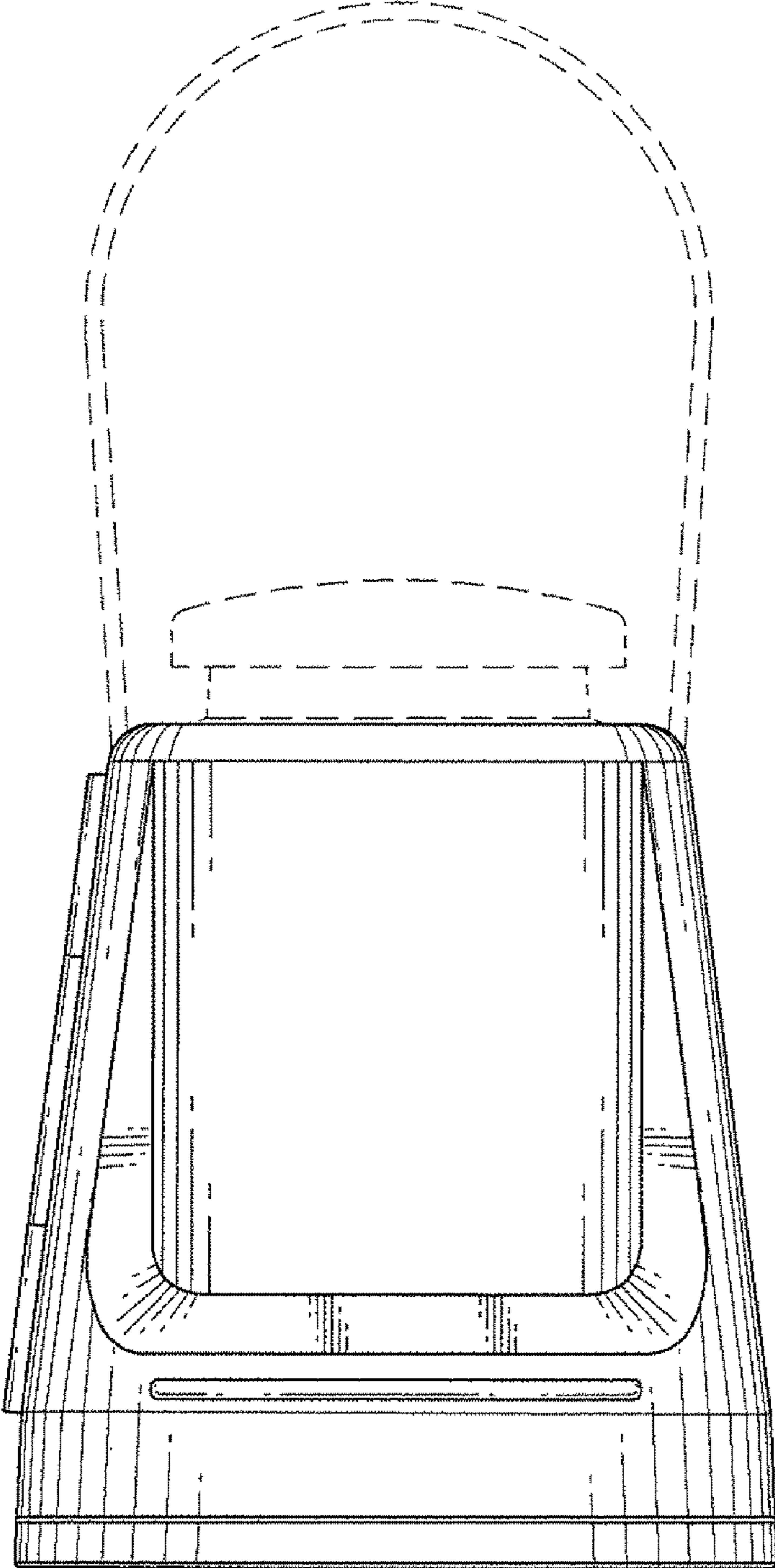


FIG. 5

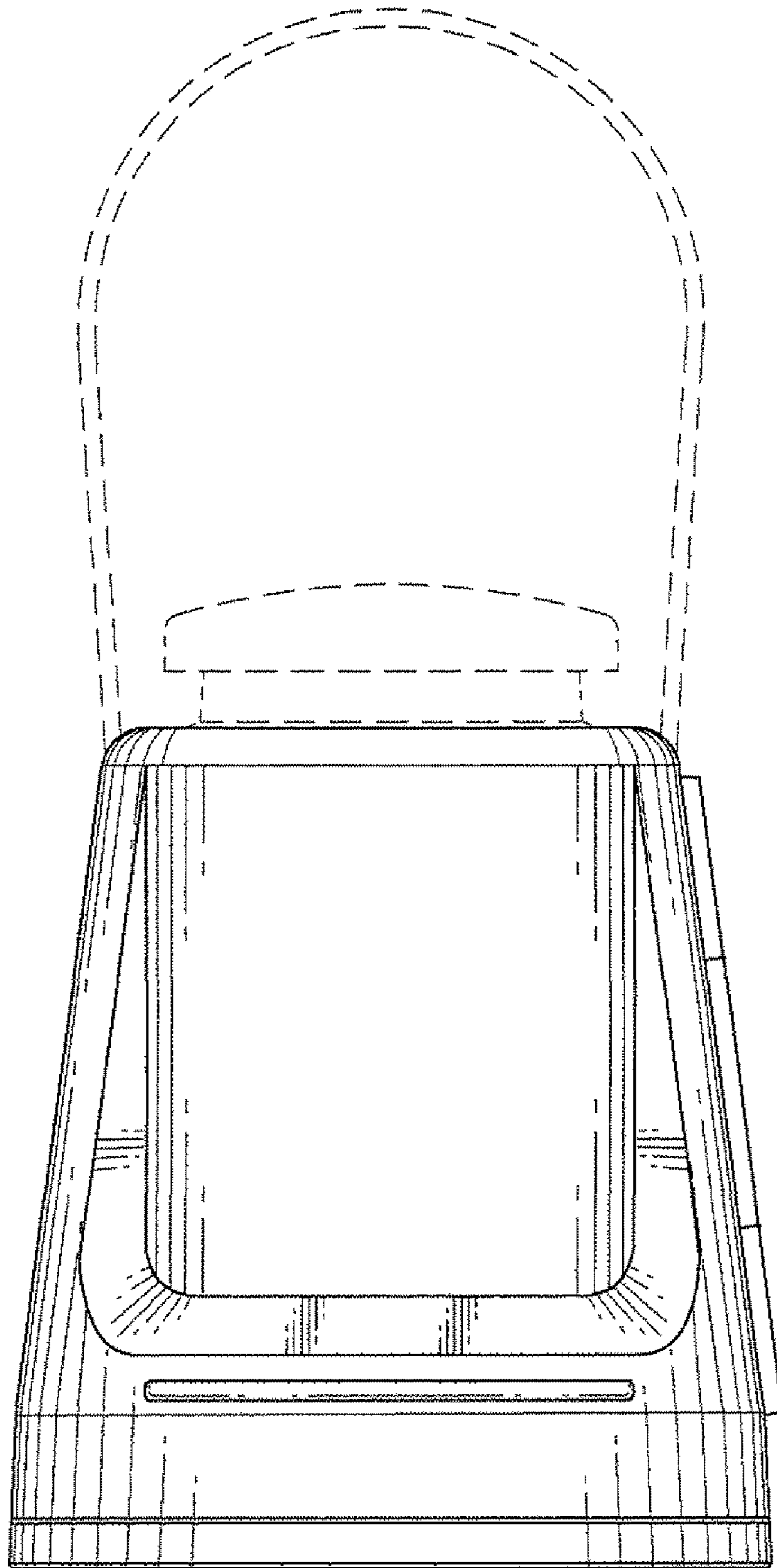


FIG. 6

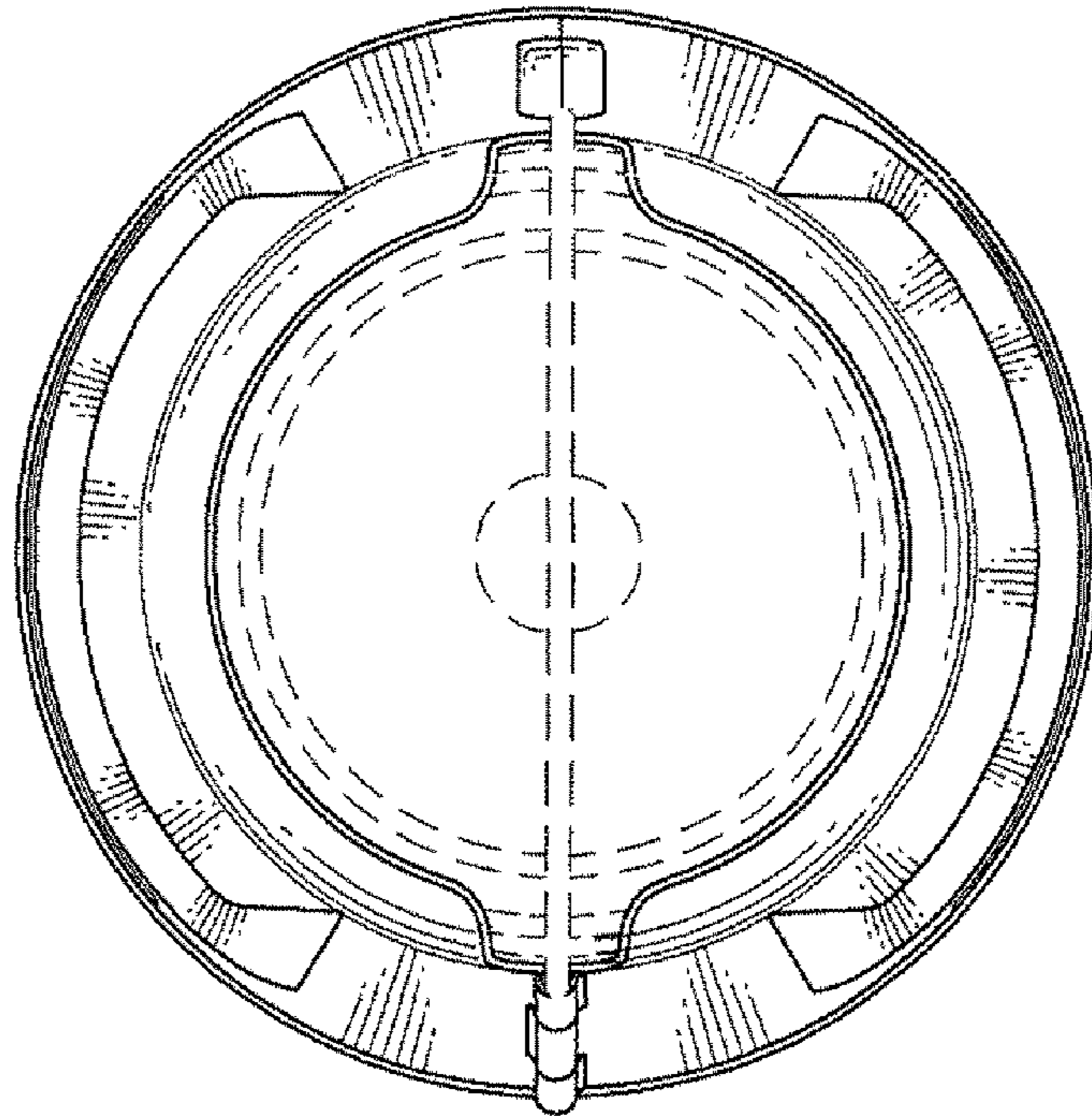


FIG. 7

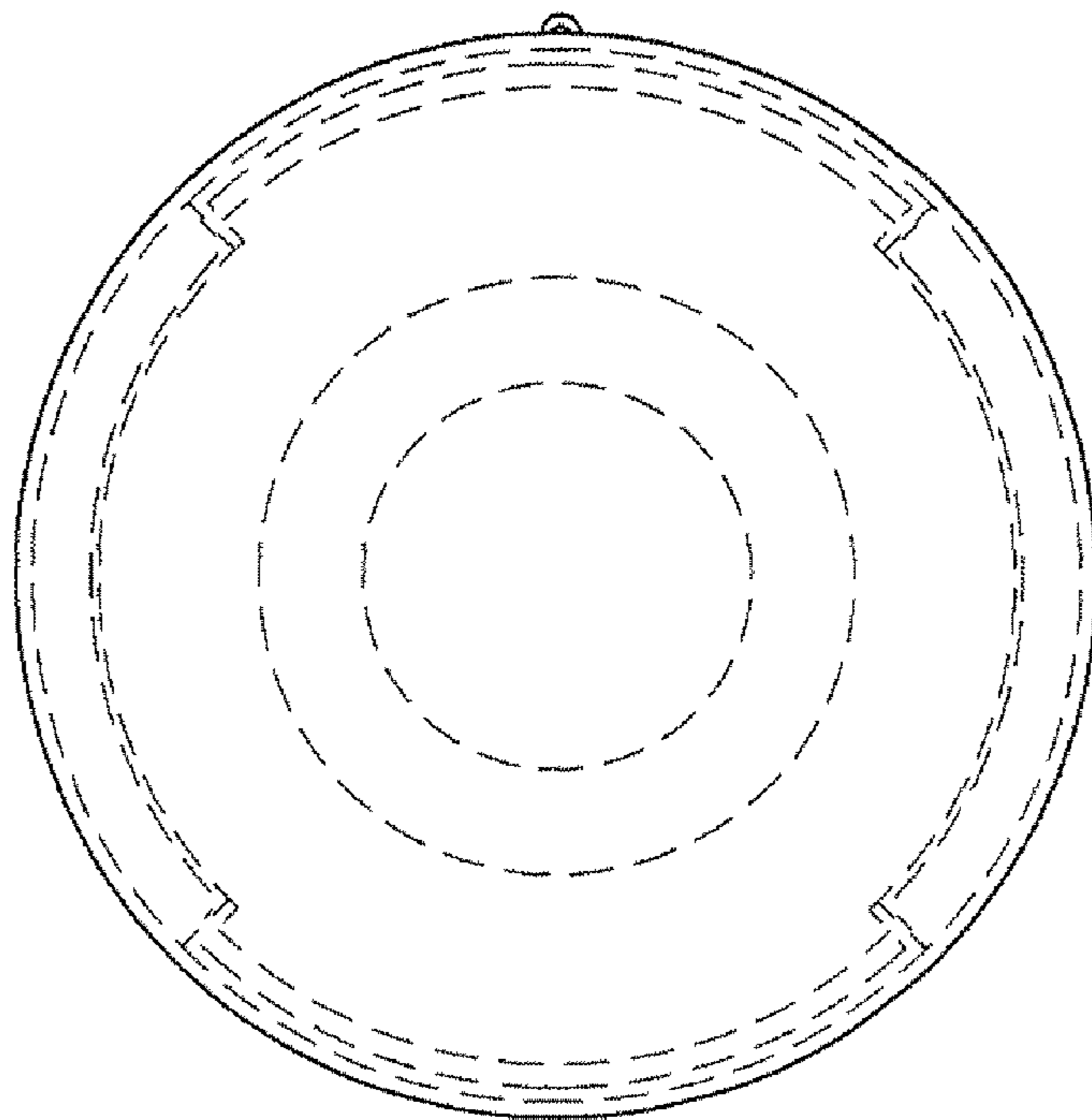


FIG. 8

