



US00D612976S

(12) **United States Design Patent**
Meeker et al.

(10) **Patent No.:** **US D612,976 S**

(45) **Date of Patent:** **** *Mar. 30, 2010**

(54) **LUMINARY**

D482,158 S 11/2003 Velikov et al.
D561,929 S 2/2008 Meeker et al.

(75) Inventors: **Shane Edwin Meeker**, South Lebanon, OH (US); **Michael Thomas Seum**, Cincinnati, OH (US); **Philip Edwin Hague**, Chicago, IL (US); **Jason Craig Campbell**, Chicago, IL (US)

(Continued)

OTHER PUBLICATIONS

European Registered Community Design EM806021-0022 registered on Oct. 10, 2007 and owned by Lorefar S.L.U. of Barcelona Spain.

(73) Assignee: **The Procter & Gamble Company**, Cincinnati, OH (US)

(Continued)

(**) Term: **14 Years**

Primary Examiner—Brian N Vinson

(74) *Attorney, Agent, or Firm*—Julia A. Glazer; Kim W. Zerby; Steven W. Miller

(21) Appl. No.: **29/301,960**

(22) Filed: **Mar. 25, 2008**

(57) **CLAIM**

(51) **LOC (9) Cl.** **26-03**

The ornamental design for a luminary, as shown and described.

(52) **U.S. Cl.** **D26/93; D26/101**

(58) **Field of Classification Search** D26/93–126;
D25/32, 37, 57, 62; 382/118–127, 317, 362,
382/410–415, 806; D11/142–145, 155, 157,
D11/131

DESCRIPTION

See application file for complete search history.

FIG. 1 is a perspective view of a luminary showing our new design.

FIG. 2 is a left side view of the luminary of FIG. 1.

FIG. 3 is a right side view of the luminary of FIG. 1.

FIG. 4 is a front view of the luminary of FIG. 1.

FIG. 5 is a rear view of the luminary of FIG. 1.

FIG. 6 is a top view of the luminary of FIG. 1; and,

FIG. 7 is a bottom view of the luminary of FIG. 1.

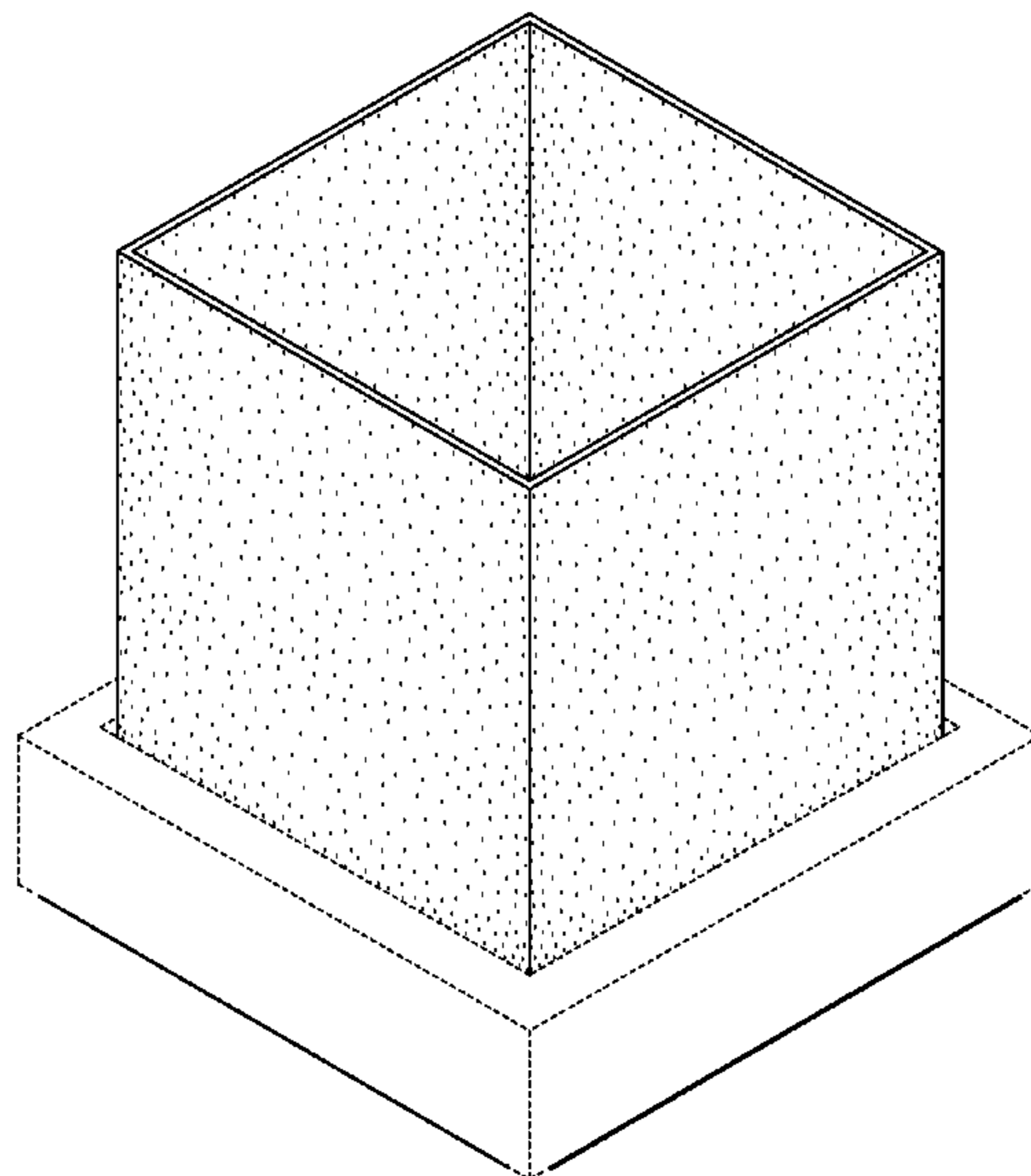
The broken-line disclosure in the views is understood to represent portions of the article in which the claimed design is embodied, but which forms no part of the claimed design. Broken lines which define the edge of a claimed surface are understood to represent an unclaimed boundary between claimed and unclaimed surfaces: claimed surfaces being provided with surface shading and unclaimed surfaces showing no surface shading.

(56) **References Cited**

U.S. PATENT DOCUMENTS

D45,398 S	3/1914	Munier	
D52,625 S	11/1918	Barnes	
D87,348 S	7/1932	Libert	
D88,574 S	12/1932	Schaetzel	
D102,273 S	12/1936	Headon	
D103,280 S	2/1937	Hanson	
D106,608 S	10/1937	Mey	
D170,535 S	10/1953	Johnson	
D176,371 S	12/1955	Nobis et al.	
4,754,380 A *	6/1988	Wang	D26/93
D306,658 S	3/1990	Haskell	
D328,799 S	8/1992	Leonard	
D369,572 S *	5/1996	Buck et al.	D11/131
D383,864 S *	9/1997	Billings	D26/51

1 Claim, 7 Drawing Sheets



US D612,976 S

Page 2

U.S. PATENT DOCUMENTS

D565,239 S 3/2008 Meeker et al.
D565,783 S 4/2008 Meeker et al.

OTHER PUBLICATIONS

Page 87 of a Mar. 31, 1996 Japanese catalogue called "Made for Export."

From the website of the Fern Group, Ltd. of Toronto, Canada, web address: http://www.ferngroup.com/index.php?option=com_virtuemart&Itemid=43, downloaded on Aug. 28, 2008, 2 pages.

U.S. Appl. No. 29/301,961, filed Mar. 25, 2008, Shane Edwin Meeker, et al.

U.S. Appl. No. 29/301,959, filed Mar. 25, 2008, Shane Edwin Meeker, et al.

* cited by examiner

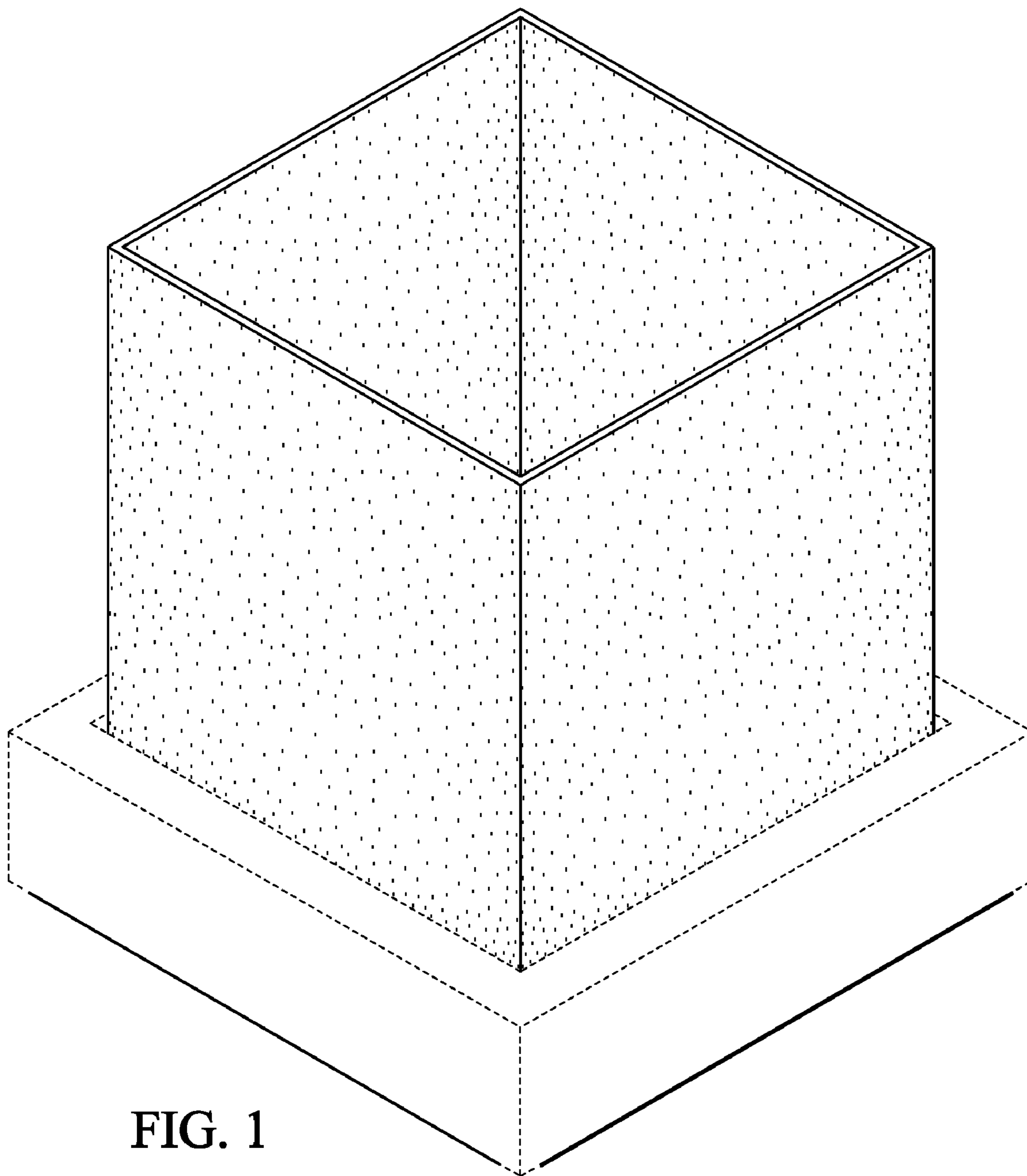


FIG. 1

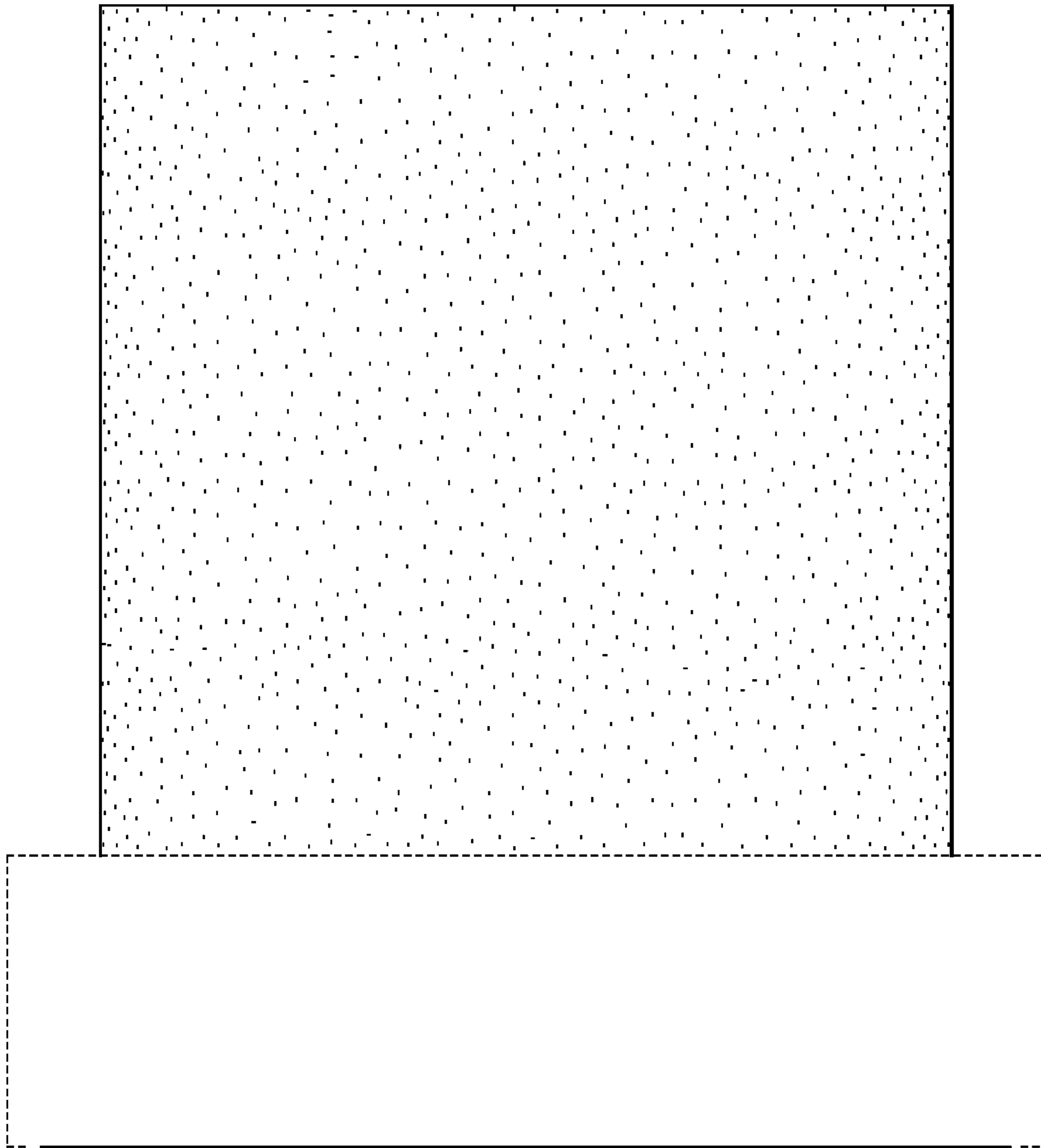


FIG. 2

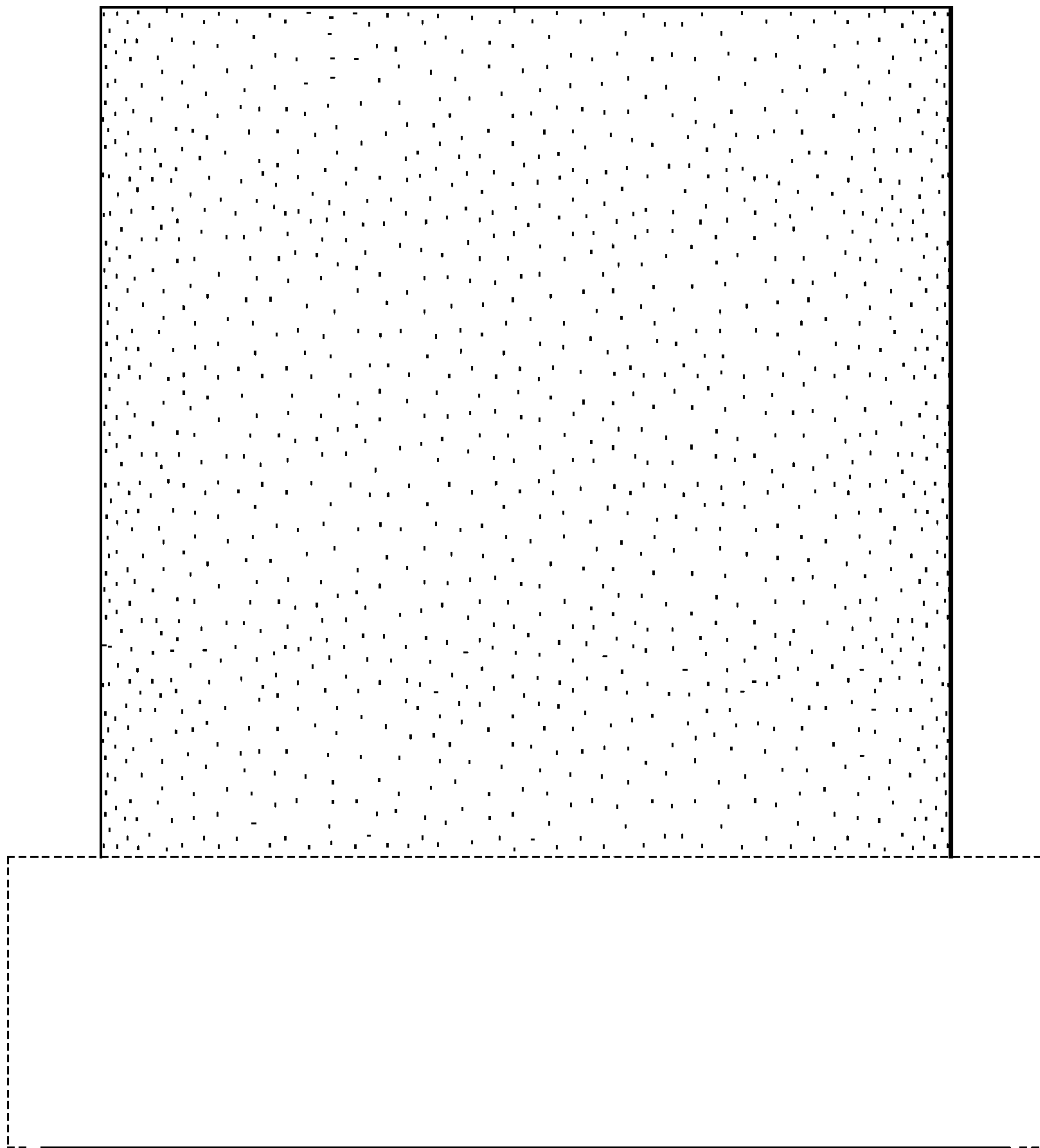


FIG. 3

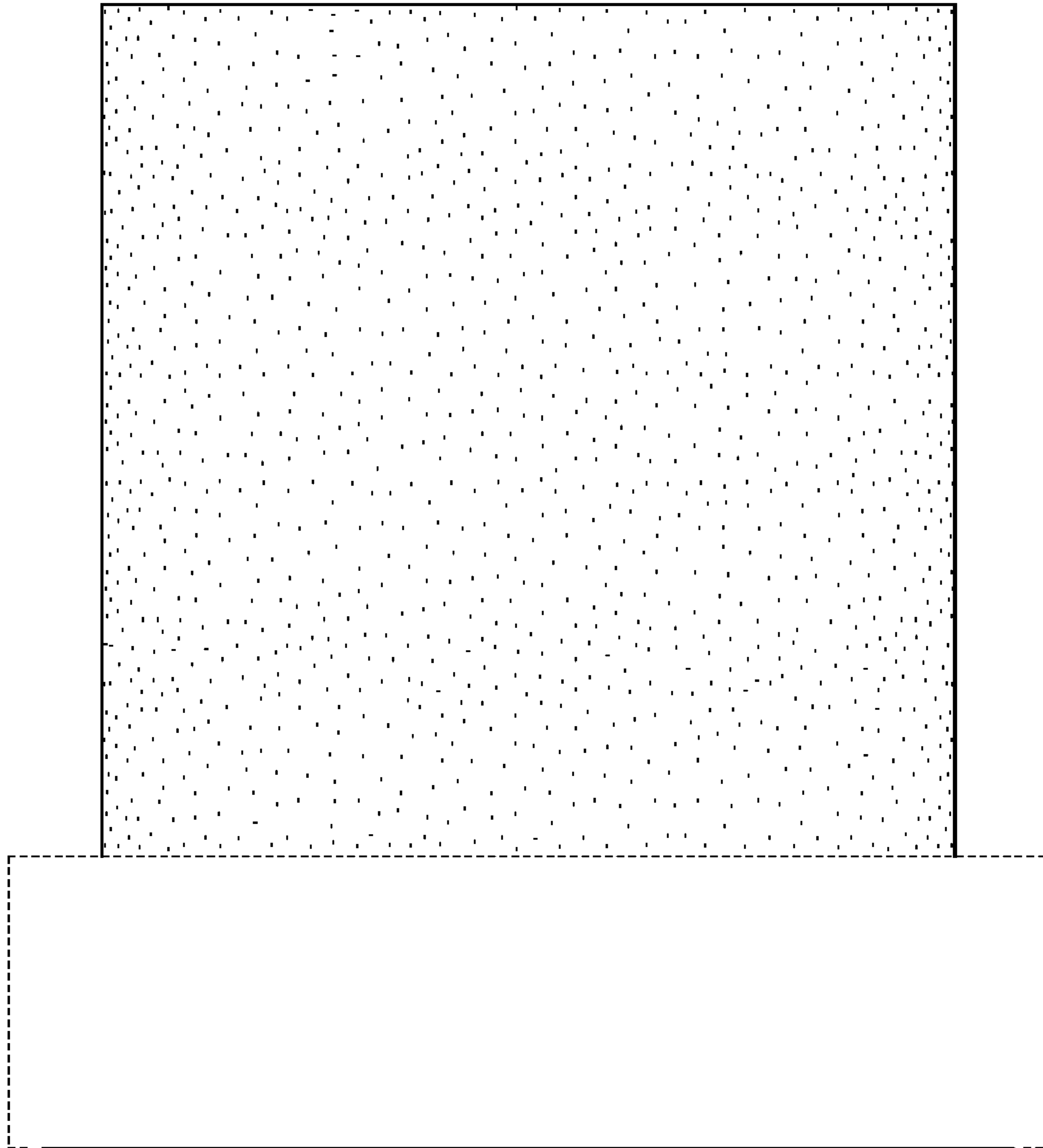


FIG. 4

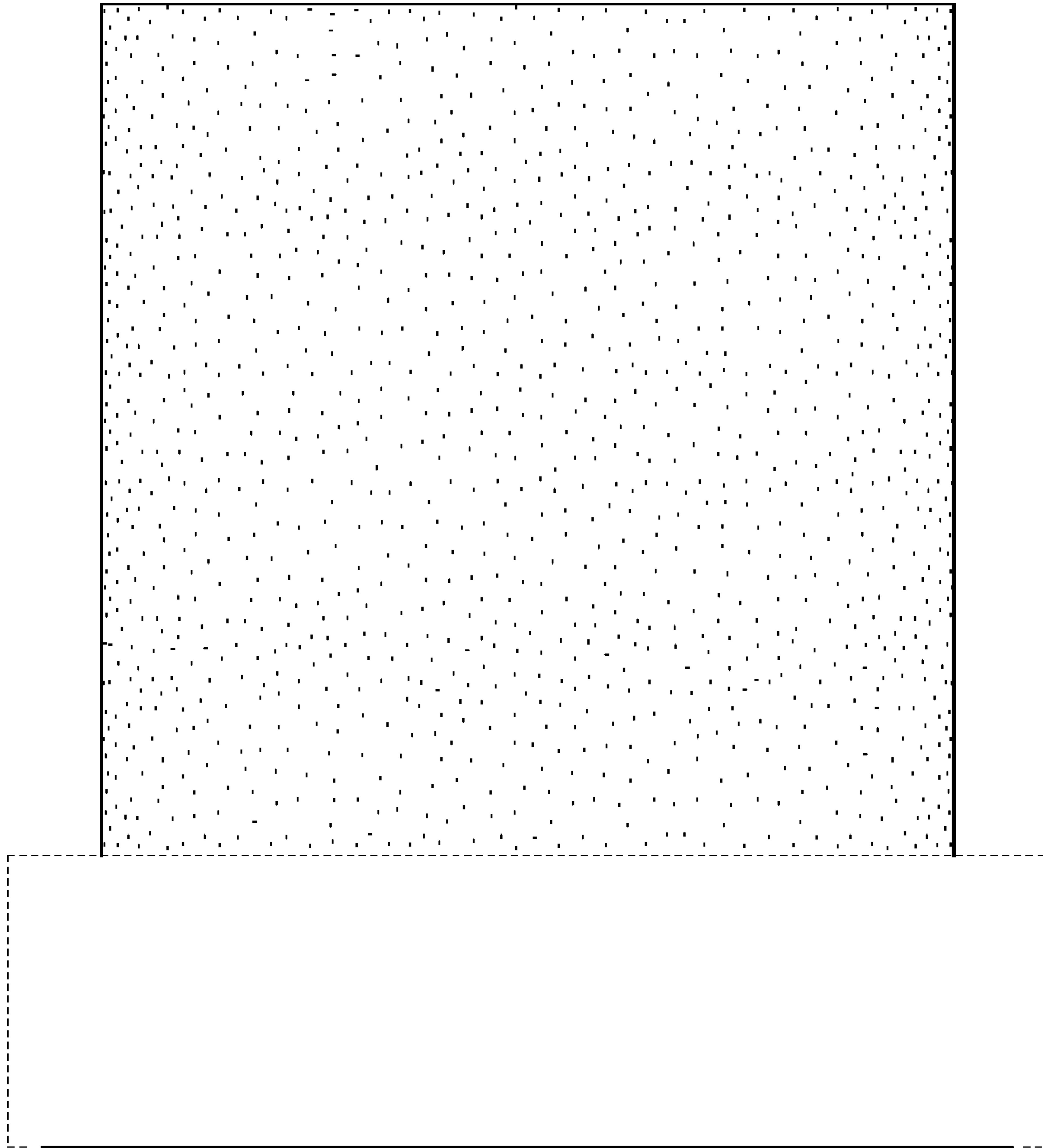


FIG. 5

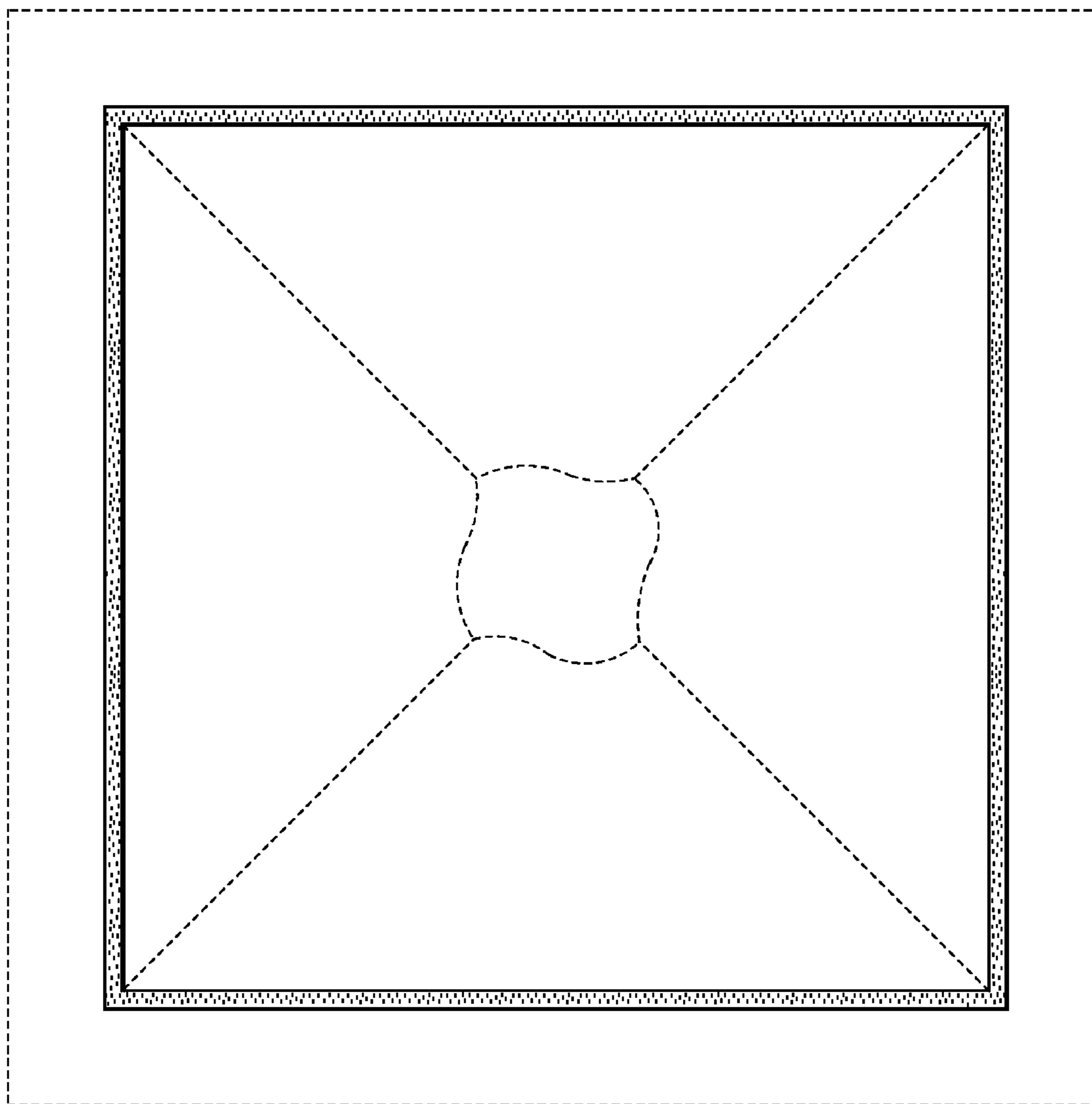


FIG. 6

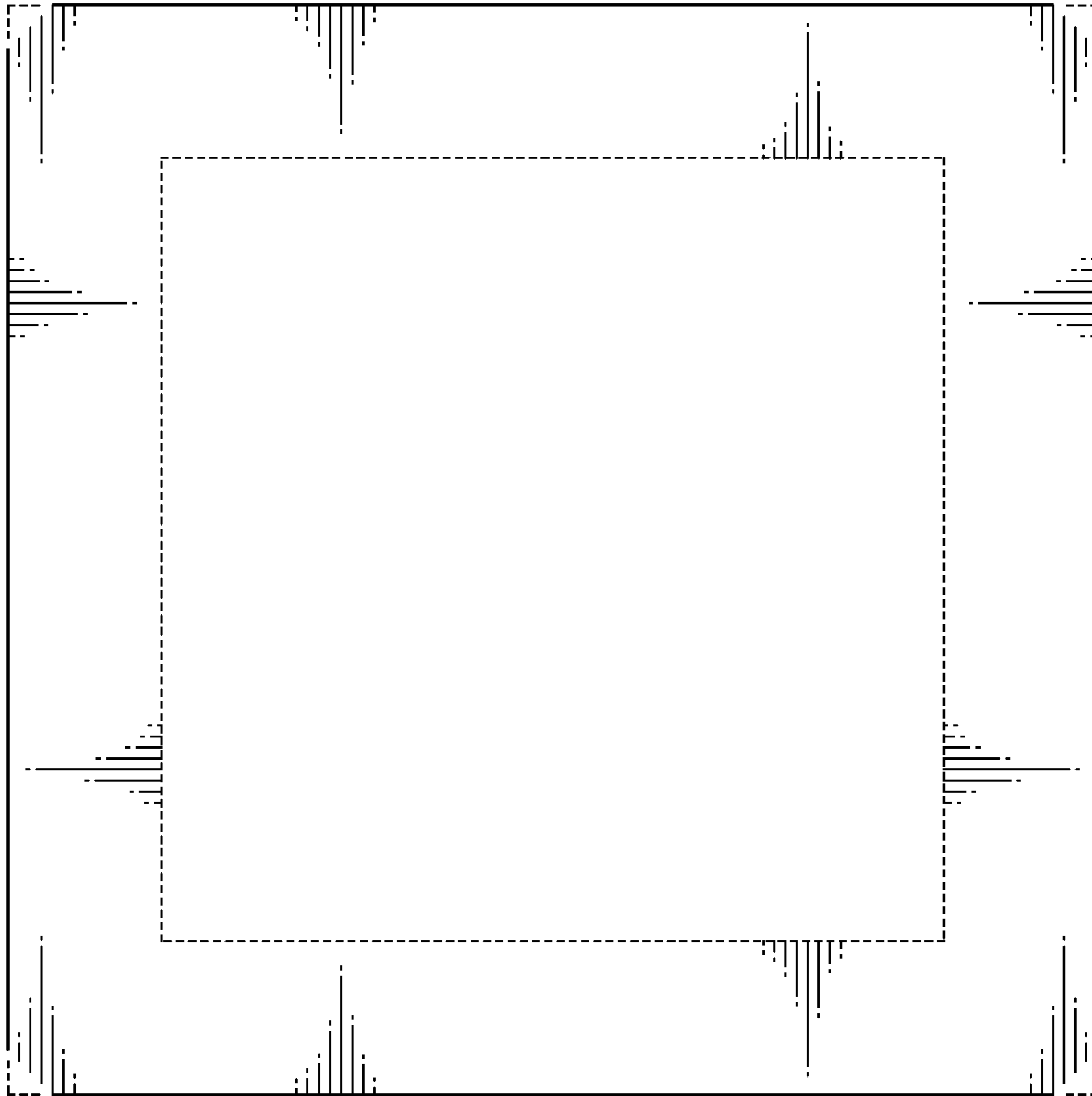


FIG. 7