



US00D612974S

(12) **United States Design Patent**
Guercio et al.

(10) **Patent No.:** **US D612,974 S**
(45) **Date of Patent:** **** Mar. 30, 2010**

- (54) **CIRCULAR STEP LIGHT**
- (75) Inventors: **Vincenzo Guercio**, Wallkill, NY (US);
Hu Jiang, Shanghai (CN)
- (73) Assignee: **RAB Lighting, Inc.**, Northvale, NJ (US)
- (**) Term: **14 Years**
- (21) Appl. No.: **29/344,429**
- (22) Filed: **Sep. 29, 2009**
- (51) **LOC (9) Cl.** **26-03**
- (52) **U.S. Cl.** **D26/85; D26/87**
- (58) **Field of Classification Search** **D26/72,**
..... **D26/82-92; 362/147, 432**
See application file for complete search history.

- D412,040 S * 7/1999 Hudak et al. D26/87
- D545,478 S * 6/2007 Morgan et al. D26/85
- D563,588 S * 3/2008 Mullen D26/85
- D565,780 S * 4/2008 Campagna D26/85
- D586,030 S * 2/2009 Genova D26/85
- D604,005 S * 11/2009 Chan D26/87

* cited by examiner

Primary Examiner—Clare E Heflin

(74) *Attorney, Agent, or Firm*—Overhauser & Lindman, LLC

(57) **CLAIM**

The ornamental design for a circular step light, as shown and described.

DESCRIPTION

FIG. 1 is a perspective view of a circular step light according to our new design;

FIG. 2 is a top view thereof;

FIG. 3 is a front view thereof;

FIG. 4 is a first side view thereof;

FIG. 5 is a second side view thereof;

FIG. 6 is a bottom view thereof; and,

FIG. 7 is a back view thereof.

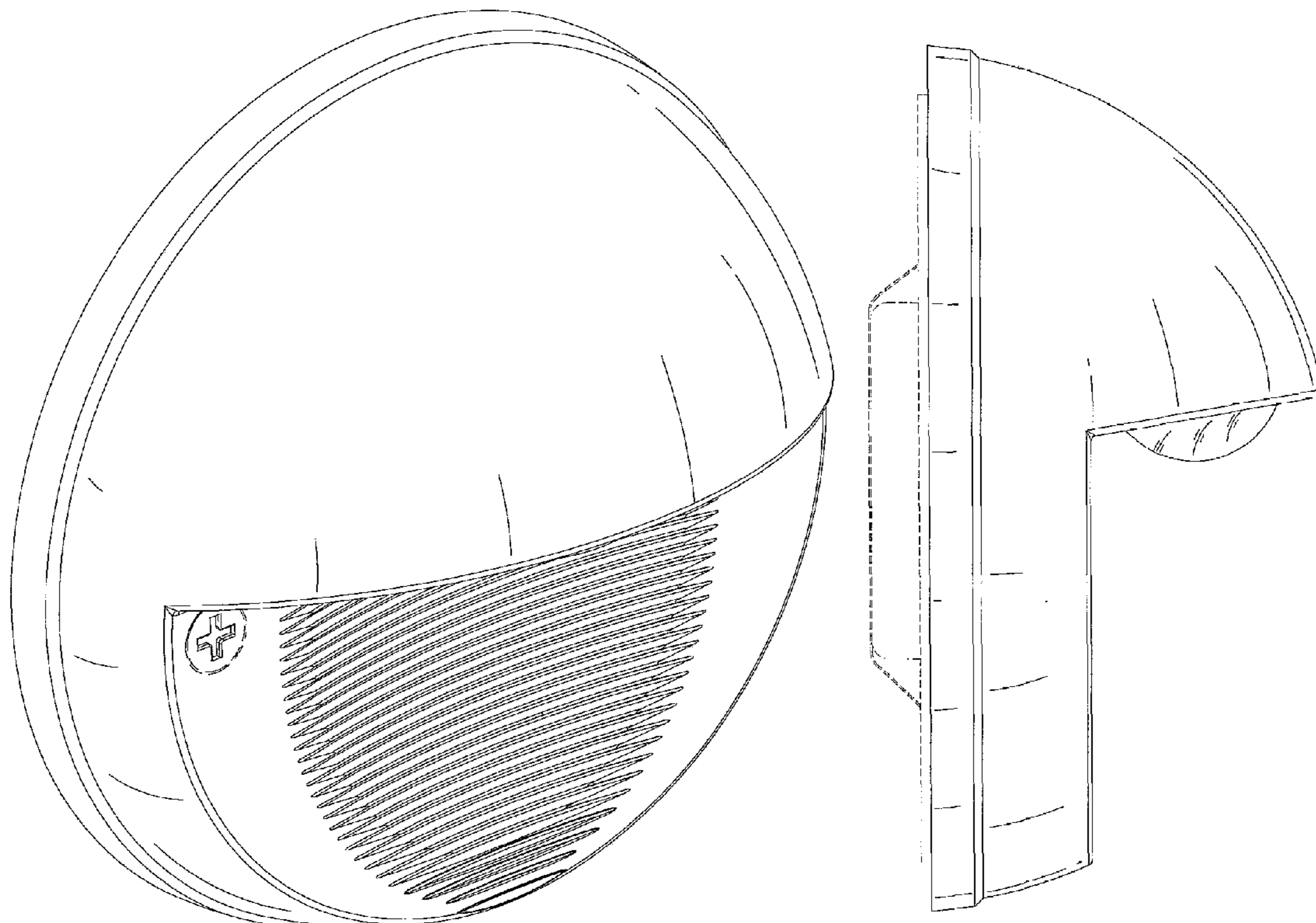
The broken lines shown in the drawings are for the purpose of illustrating portions of the light and form no part of the claimed design.

(56) **References Cited**

U.S. PATENT DOCUMENTS

- D44,564 S * 8/1913 Hamm D26/128
- D50,684 S * 5/1917 Guth D26/87
- D110,164 S * 6/1938 Arenberg D26/4
- D164,908 S * 10/1951 Folley D26/87
- D196,669 S * 10/1963 Lasker D26/87
- D239,858 S * 5/1976 Scarpa D26/87
- D291,363 S * 8/1987 Schmidt D26/87
- D296,015 S * 5/1988 Falconer et al. D26/72
- D337,846 S * 7/1993 Fiorato D26/85
- D378,621 S * 3/1997 Landefeld D26/85
- D389,592 S * 1/1998 Reiser D26/36
- D393,095 S * 3/1998 Fiorato D26/85

1 Claim, 4 Drawing Sheets



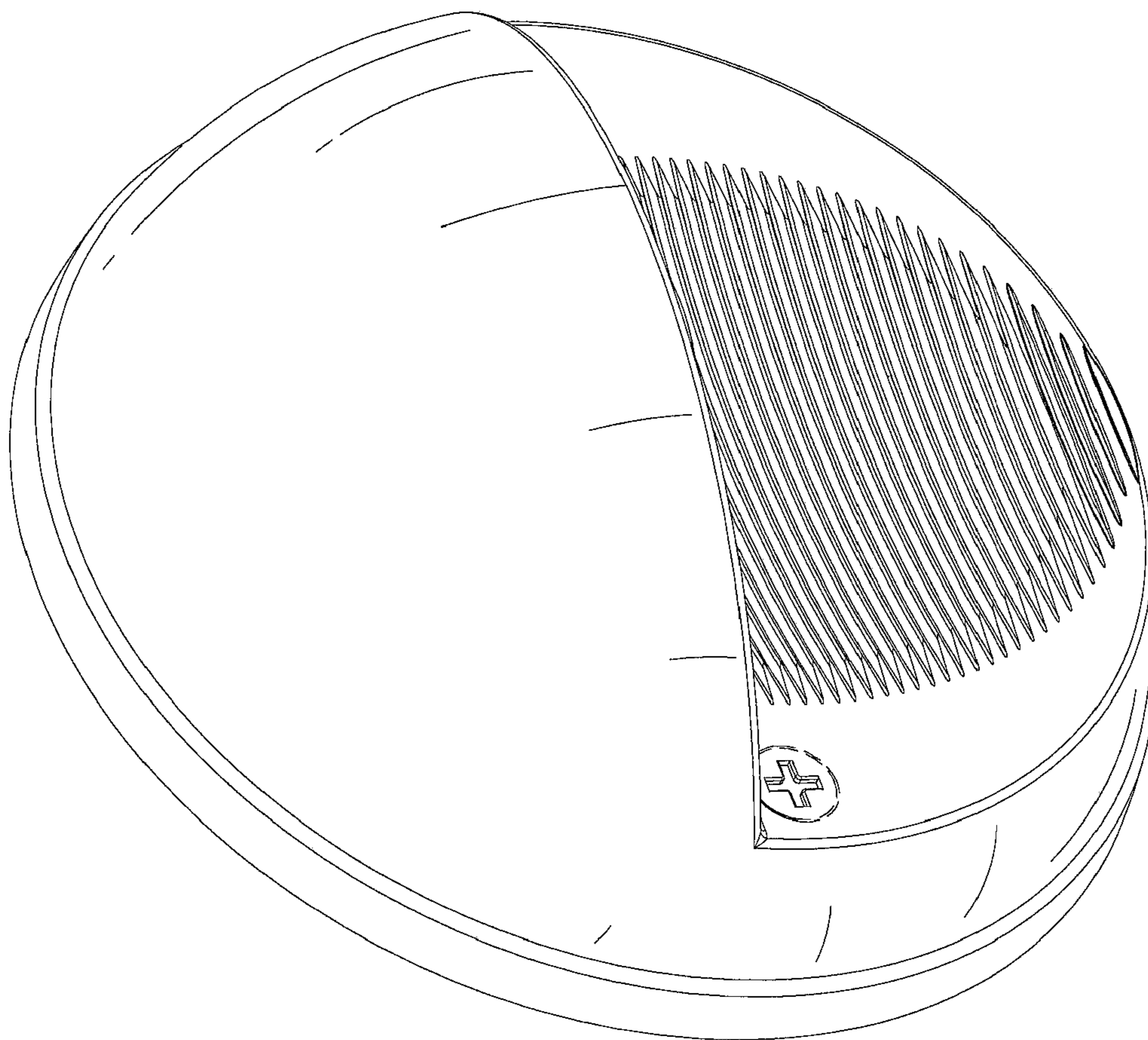


FIG. 1

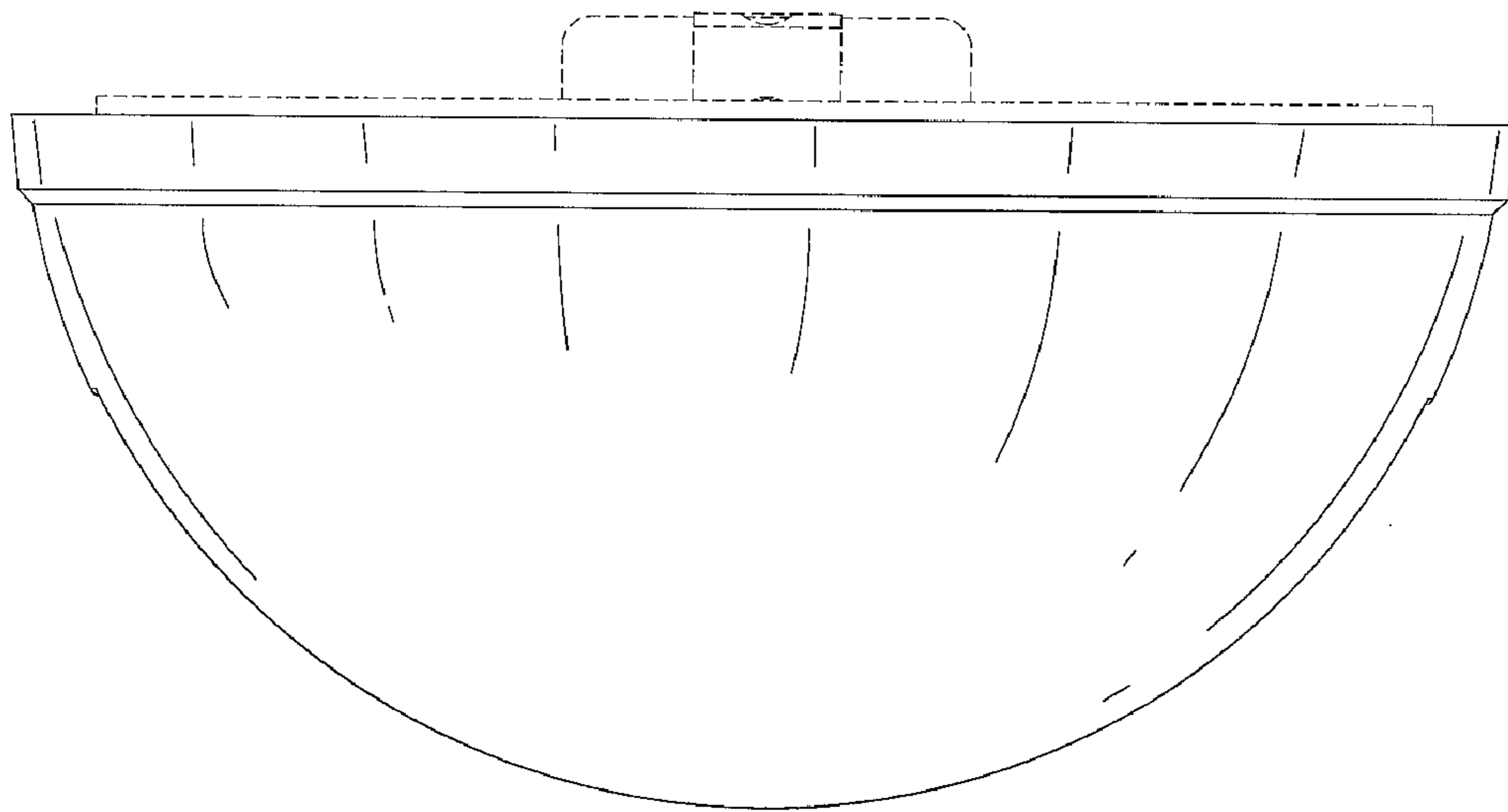


FIG. 2

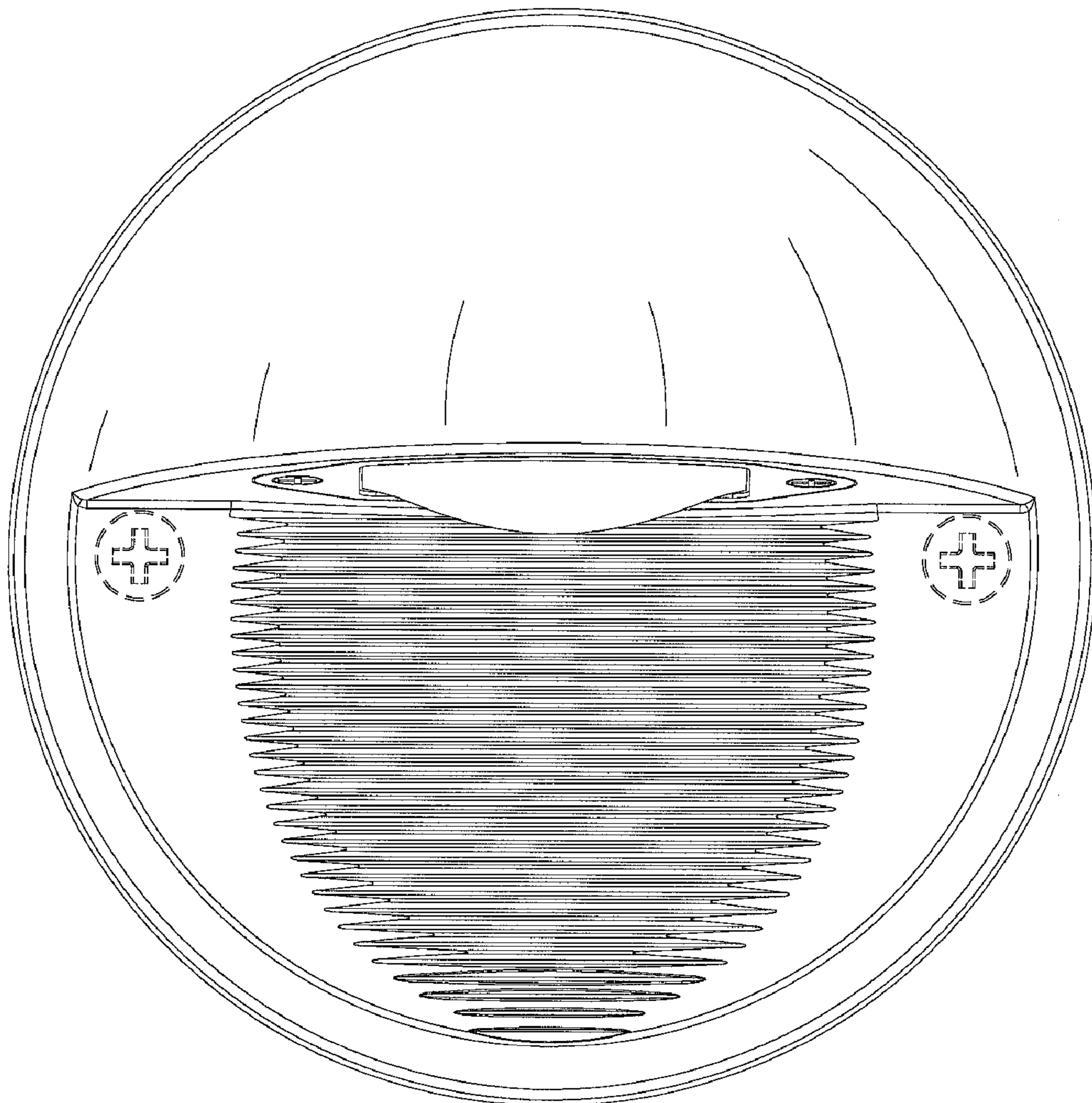


FIG. 3

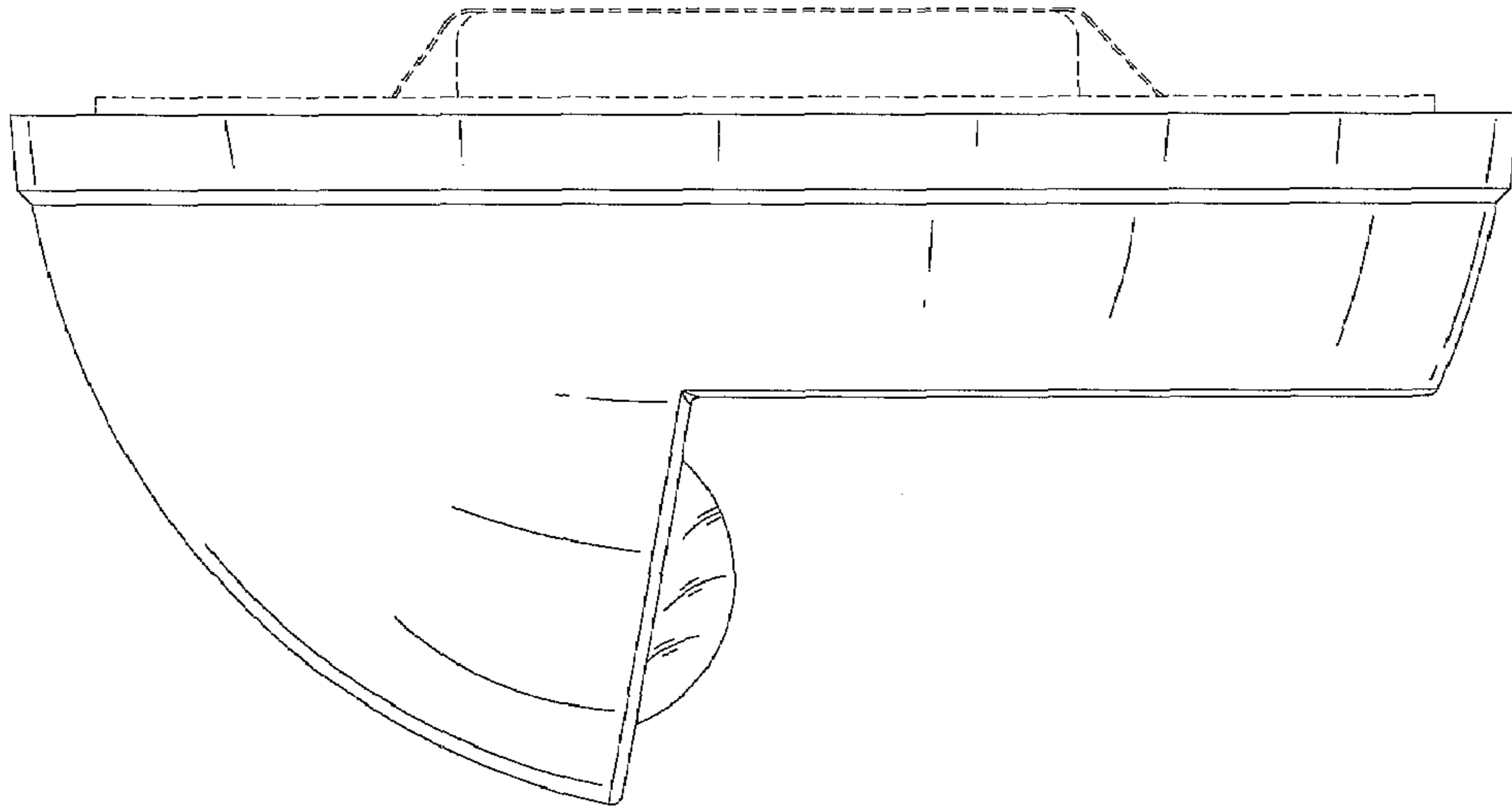


FIG. 5

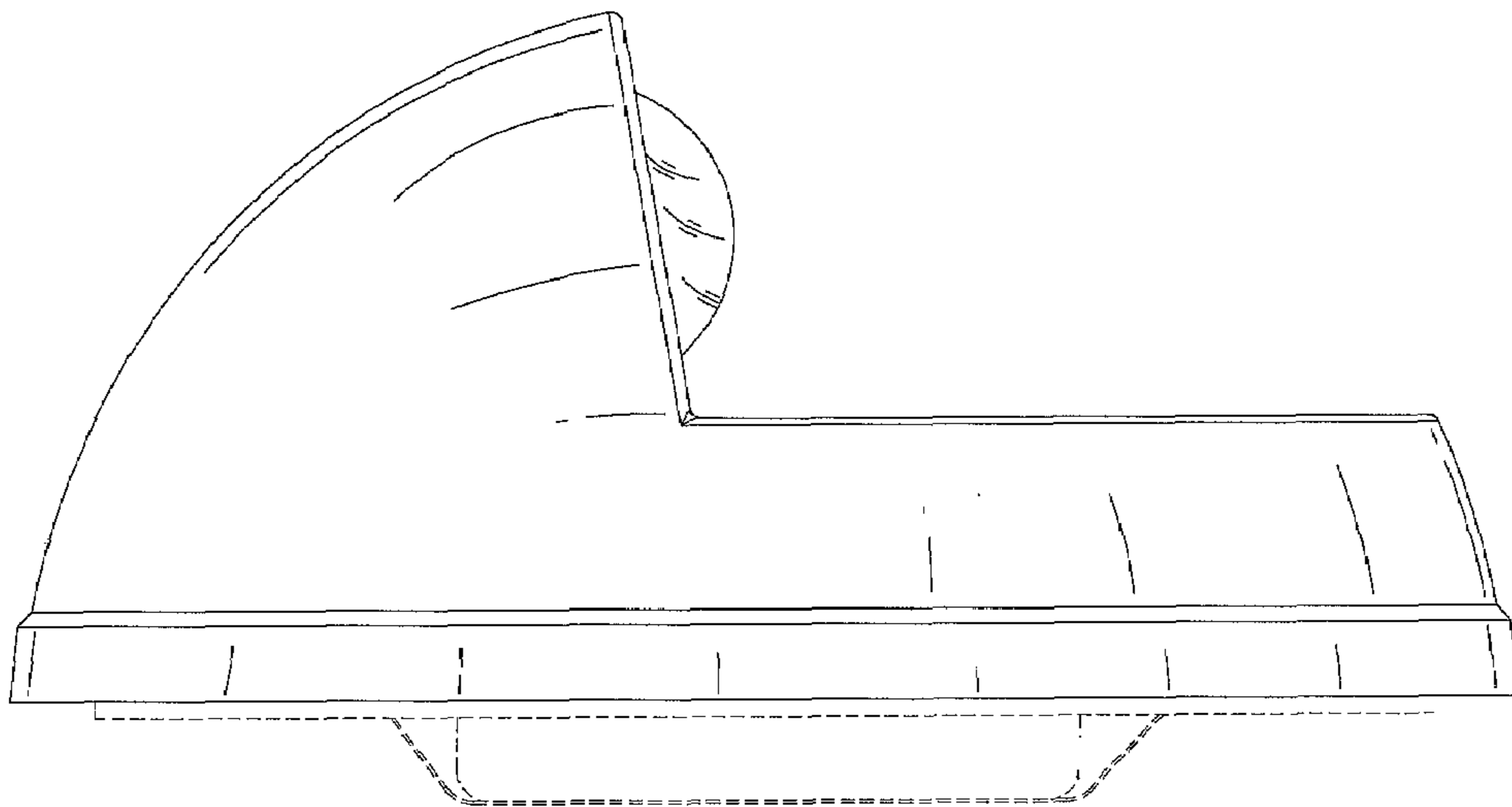


FIG. 4

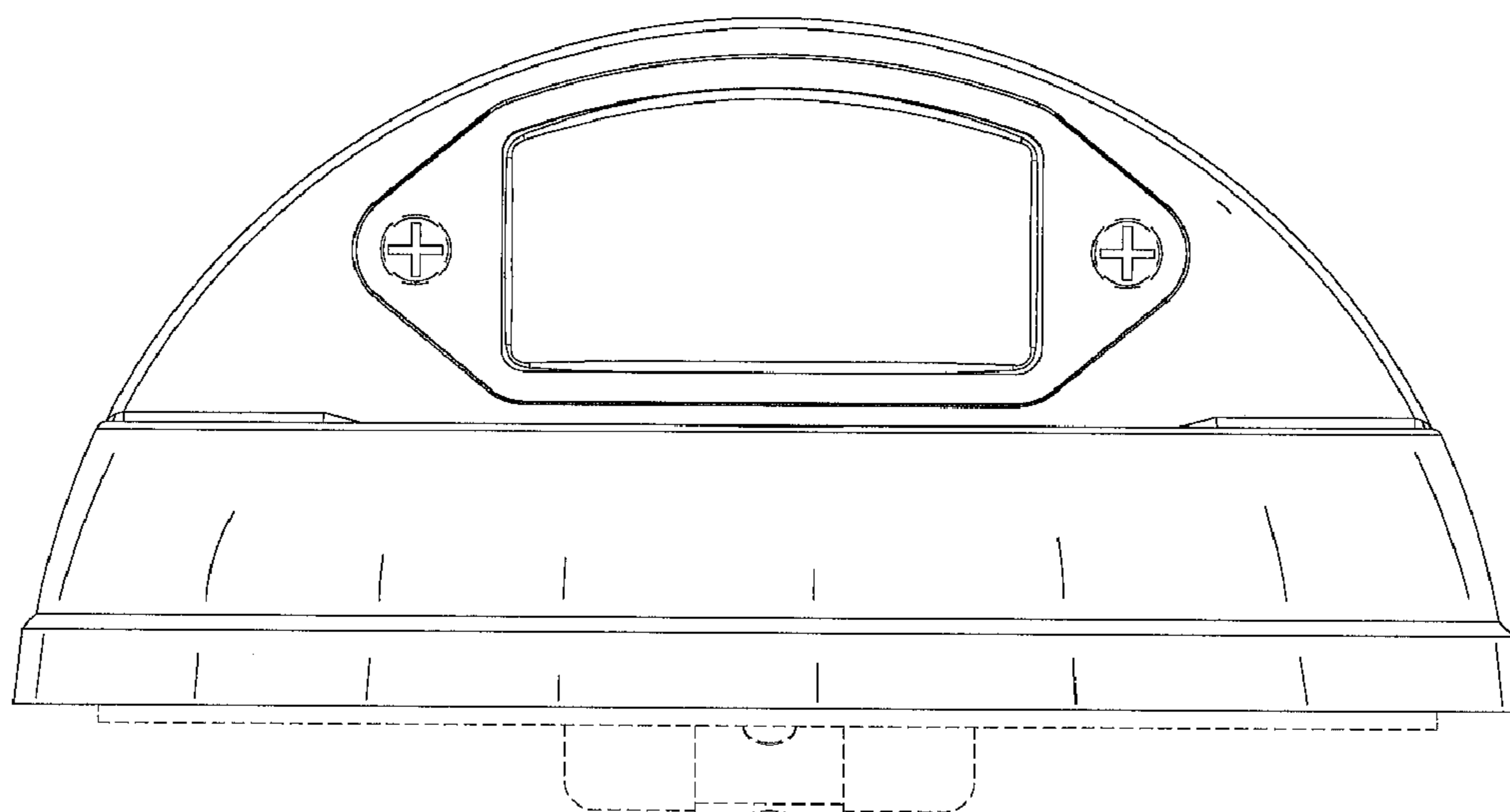


FIG. 6

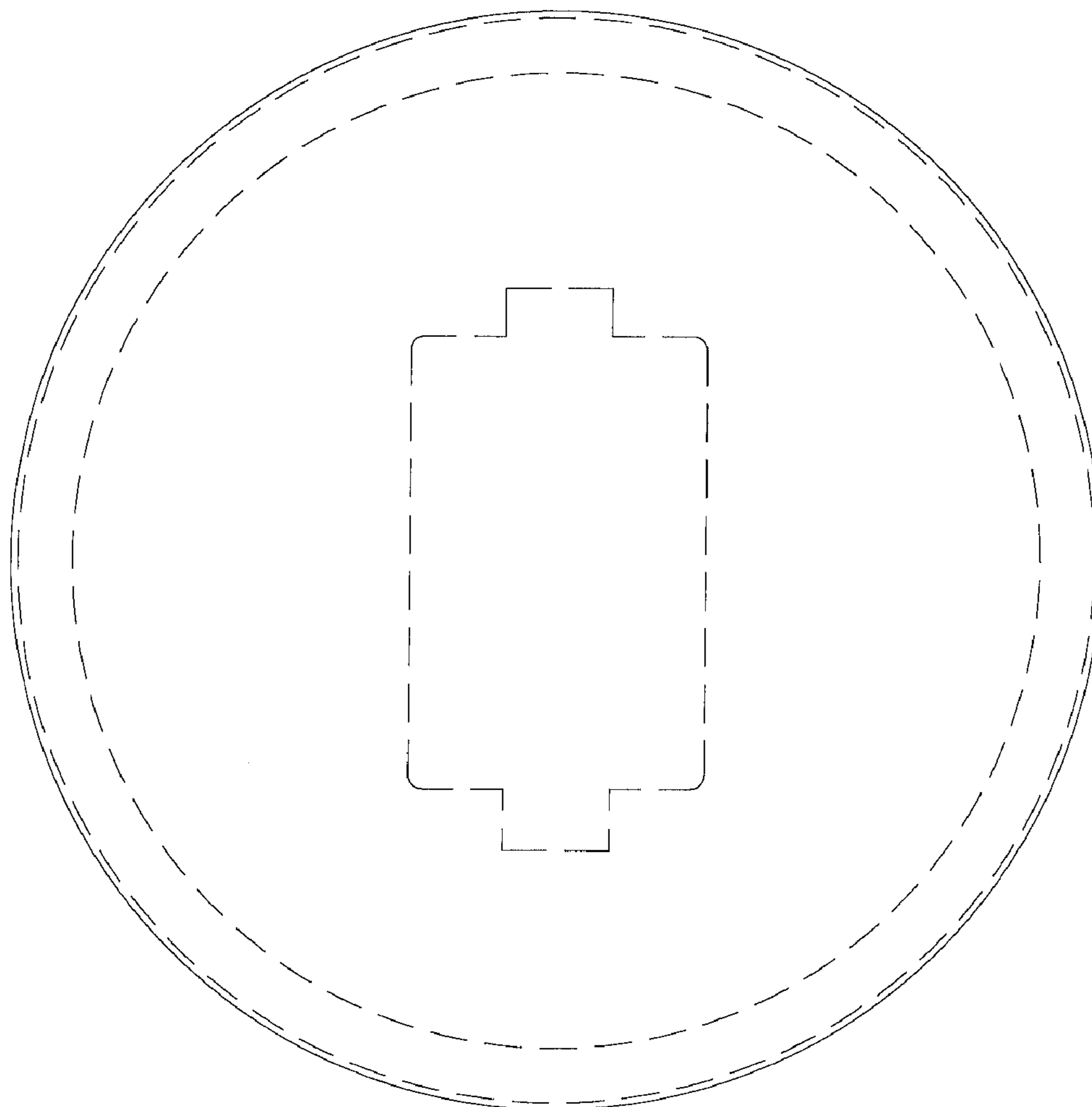


FIG. 7