



US00D612970S

(12) **United States Design Patent**
Sharrah et al.

(10) **Patent No.:** **US D612,970 S**
(45) **Date of Patent:** **** Mar. 30, 2010**

(54) **MOUNTABLE LIGHT**

(75) Inventors: **Raymond L. Sharrah**, Collegeville, PA (US); **John C. DiNenna**, Norristown, PA (US)

(73) Assignee: **Streamlight, Inc.**, Eagleville, PA (US)

(**) Term: **14 Years**

(21) Appl. No.: **29/335,977**

(22) Filed: **Apr. 27, 2009**

(51) **LOC (9) Cl.** **26-05**

(52) **U.S. Cl.** **D26/60**

(58) **Field of Classification Search** D26/37-51, D26/60; 362/98, 99, 194-208, 287, 427, 362/396, 109-114; D22/108-110; 42/111-116
See application file for complete search history.

(56) **References Cited**

U.S. PATENT DOCUMENTS

2,546,242 A 3/1951 Stinson

(Continued)

OTHER PUBLICATIONS

Streamlight, Inc., "Product Catalog," Jun. 2001, Front Cover, pp. 1, 8-11, 28-29, 32-33, Rear Cover.

Streamlight, Inc., "M2 Universal Tactical Light," Product Package, Prior to Oct. 24, 2006, 1 Pg.

Streamlight, Inc., "M2 Universal Tactical Light," Operator's Manual, Oct. 2003, 2 Pages.

Streamlight, Inc., "M-3 LED Tactical Navigation Light," Dated: 2002, Eagleville, PA, 2 Pages.

Streamlight, Inc., "M-6 Tactical Laser Illuminator," Dated 2003, Eagleville, PA, 2 Pages.

Streamlight, Inc., "Introducing the All-New Mil-Spec X-Series—Trusted Tactical Lights Taken To The X-treme," Dated: Oct. 2003, Eagleville, PA, 2 Pages.

Streamlight, Inc., "L.A.M. Laser Aiming Module," Dated 2000, Eagleville, PA, 2 Pages.

(Continued)

Primary Examiner—Philip S Hyder

Assistant Examiner—Linda G. Brooks

(74) *Attorney, Agent, or Firm*—Clement A. Berard, Esq.; Dann, Dorfman, Herrell & Skillman, PC

(57) **CLAIM**

The ornamental design for a mountable light, substantially as shown and described.

DESCRIPTION

FIG. 1 is an isometric view of an ornamental design for a mountable light;

FIG. 2 is another isometric view of the ornamental design shown in FIG. 1;

FIG. 3 is a side view of a first side of the ornamental design shown in FIGS. 1-2;

FIG. 4 is a side view of a second side of the ornamental design shown in FIGS. 1-3;

FIG. 5 is an end view of a first end of the ornamental design shown in FIGS. 1-4;

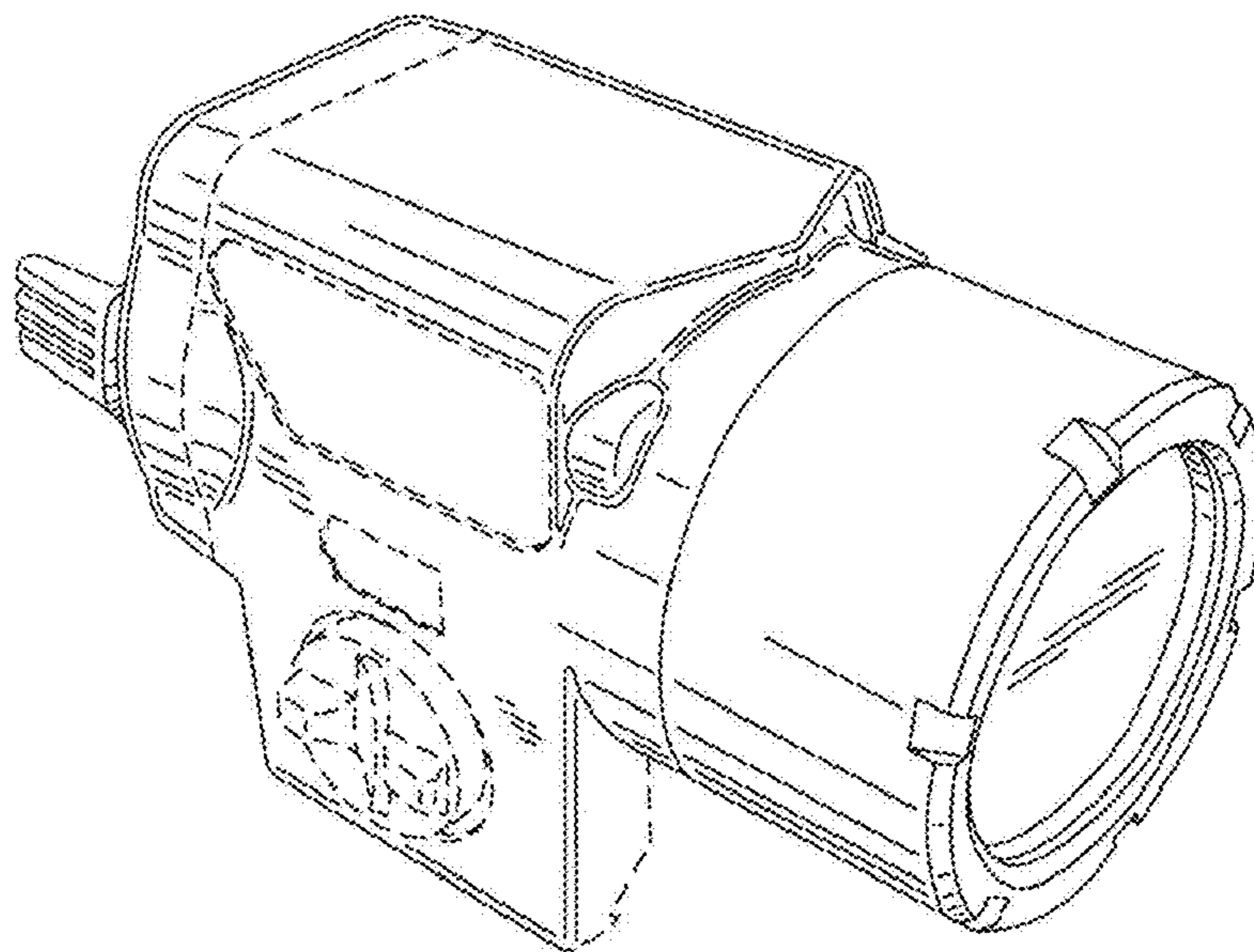
FIG. 6 is an end view of a second end of the ornamental design shown in FIGS. 1-5;

FIG. 7 is a side view of a third side of the ornamental design shown in FIGS. 1-6; and,

FIG. 8 is a side view of a fourth side of the ornamental design shown in FIGS. 1-7.

Broken lines in the illustrations of the figures of the drawing indicate parts of the article that are not part of the design illustrated and claimed herein.

1 Claim, 4 Drawing Sheets



U.S. PATENT DOCUMENTS

2,597,565	A	5/1952	Chandler et al.	
2,601,613	A	6/1952	Jahncke	
3,153,856	A	10/1964	Felix	
3,488,488	A	1/1970	Crouch	
3,513,581	A	5/1970	Slater	
3,877,166	A	4/1975	Ward	
4,580,362	A	4/1986	Stevens	
4,697,226	A	9/1987	Verdin	
4,856,218	A	8/1989	Reynolds, Jr.	
4,939,863	A	7/1990	Alexander et al.	
5,180,220	A	1/1993	Van Kalsbeek	
5,400,540	A	3/1995	Solinsky et al.	
5,430,967	A	7/1995	Woodman, III et al.	
5,584,137	A	12/1996	Teetzel	
5,628,555	A	5/1997	Sharrah et al.	
5,685,105	A	11/1997	Teetzel	
5,816,683	A	10/1998	Christiansen	
5,913,669	A	6/1999	Hansen et al.	
6,073,901	A	6/2000	Richter	
6,115,952	A	9/2000	Rigler	
6,185,854	B1	2/2001	Solinsky et al.	
6,276,088	B1	8/2001	Matthews	
6,378,237	B1	4/2002	Matthews	
6,574,901	B1	6/2003	Solinsky et al.	
6,612,714	B1	9/2003	Morre et al.	
7,117,624	B2	10/2006	Kim	
7,188,978	B2	3/2007	Sharrah et al.	
D543,446	S	5/2007	DiNenna	
D548,385	S	8/2007	Sharrah et al.	
D567,894	S *	4/2008	Sterling et al.	D22/108
D568,508	S *	5/2008	Howe et al.	D26/38
D578,599	S *	10/2008	Cheng	D22/109
2003/0007355	A1	1/2003	Leen	
2004/0068913	A1	4/2004	Solinsky et al.	
2004/0169119	A1	9/2004	Crowell et al.	
2006/0083008	A1	4/2006	Yu	
2006/0083009	A1	4/2006	Hsu	

OTHER PUBLICATIONS

Streamlight, Inc., "Tactical Series Specifications," http://www.streamlight.com/tactical_specifications.htm, Printed Oct. 28, 2004, 3 Pages.

Streamlight, Inc., "Tactical Series Parts & Accessories," Specifications, http://www.streamlight.com/tactical_accessories.htm, Printed Oct. 28, 2004, 2 Pages.

Streamlight, Inc., Streamlight M-3 LED, Streamlight Products, http://www.streamlight.com/m3led_specs.htm, Printed Oct. 28, 2004, 1 Page.

Streamlight, Inc., Streamlight M-6, M-6 Tactical Laser Illuminator Specifications, http://www.streamlight.com/m6_specifications.htm, Printed Oct. 28, 2004, 1 Page.

Streamlight, Inc., "Streamlight Laser Aiming Module (L.A.M.)," Streamlight Products, http://www.streamlight.com/lam_specs.htm, Printed Oct. 28, 2004, 2 Pages.

Streamlight, Inc., "X-Series Specifications", http://www.streamlight.com/x-series_specs.htm, Printed Oct. 28, 2004, 2 Pages.

Streamlight, Inc., "Tactical Gun Mount Series—TLR-1", <http://www.streamlight.com/product/product.aspx?pid=80>, Printed Sep. 18, 2006, 1 Page.

Streamlight, Inc., "Tactical Gun Mount Series—TLR-2 With Laser Sight", <http://www.streamlight.com/product/product.aspx?pid=81>, Printed Sep. 18, 2006, 1 Page.

Streamlight, Inc., "Tactical Gun Mount Series—TLR-1", <http://streamlight.com/product/product.aspx?pid=80>, Printed Mar. 9, 2009, 2 pages.

First Samco, "Tactical Light Holder," First Samco Tactical Accessories for AR15 & M/16, <http://www.firstsamco.com/catalog/productdetail.php?ID=4>, Printed Nov. 4, 2004, 1 Page.

First Samco, "Images for Tactical Light Holder," First Samco Tactical Accessories for AR15 & M/16, <http://www.firstsamco.com/catalog/moreimages.php?ID=4>, Printed Nov. 4, 2004, 1Pg.

Insight Technology, Inc., M2 UTL Universal Tactical Light (with Photos), © 2004, <http://www.insightlights.com/products/showProduct.asp?id=1>, Printed Nov. 8, 2005, 4 Pgs.

Insight Technology, Inc., "M3X Tactical Illuminator," © 2004, <http://www.insightlights.com/products/showProduct.asp?id=6>, Printed Oct. 28, 2004, 2 Pages.

Insight Technology, Inc., "M6 Tactical Illuminator (with Photos)," © 2004, <http://www.insightlights.com/products/showProduct.asp?id=9>, Printed Oct. 28, 2004, 5 Pages.

Insight Technology, Inc., "M6X Tactical Illuminator (with Photos)," © 2004 <http://www.insightlights.com/products/showProduct.asp?id=11>, Printed Oct. 28, 2004, 6 Pgs.

Insight Technology, Inc., "XML X-treme Mini Light", © 2004, <http://www.insightlights.com/products/showProduct.asp?id=2>, Printed Oct. 28, 2004, 1 Page.

Insight Technology, Inc., "Tactical Lights by Insight Technology Inc. (UTL, M3, LAM)—Products by Product Index", © 2001, <http://www.insightlights.com/oldsite/prodbyproducts.htm>, Printed Sep. 18, 2006, 1 Page.

Insight Technology, Inc., "Tactical Lights by Insight Technology Inc. (UTL, M3, LAM)—The M3 Tactical Light", © 2001, http://www.insightlights.com/oldsite/prod_m3.htm, Printed Sep. 18, 2006, 1 Page.

Insight Technology, Inc., "Tactical Lights by Insight Technology Inc. (UTL, M3, LAM)—M3 Photo Gallery", © 2001, http://www.insightlights.com/oldsite/gallery_m3.htm, Printed Sep. 18, 2006, 1 Page.

Insight Technology, Inc., "Tactical Lights by Insight Technology Inc. (UTL, M3, LAM)—The M3-LED Tactical Illuminator", © 2001, http://www.insightlights.com/oldsite/prod_m3led.htm, Printed Sep. 18, 2006, 2 Pages.

Insight Technology, Inc., "Tactical Lights by Insight Technology Inc. (UTL, M3, LAM)—M3-LED Photo Gallery", © 2001, http://www.insightlights.com/oldsite/gallery_m3led.htm, Printed Sep. 18, 2006, 1 Page.

Insight Technology, Inc., "Tactical Lights by Insight Technology Inc. (UTL, M3, LAM)—The M4 and M4-Pro Tactical Light", © 2001, http://www.insightlights.com/oldsite/prod_m4.htm, Printed Sep. 18, 2006, 1 Page.

Insight Technology, Inc., "Tactical Lights by Insight Technology Inc. (UTL, M3, LAM)—M4 & M4-Pro Photo Gallery", © 2001, http://www.insightlights.com/oldsite/gallery_m4.htm, Printed Sep. 18, 2006, 1 Page.

Insight Technology, Inc., "Tactical Lights by Insight Technology Inc. (UTL, M3, LAM)—The M5 Tactical Light", © 2001, http://www.insightlights.com/oldsite/prod_m5.htm, Printed Sep. 18, 2006, 1 Page.

Insight Technology, Inc., "Tactical Lights by Insight Technology Inc. (UTL, M3, LAM)—M5 Photo Gallery", © 2001, http://www.insightlights.com/oldsite/gallery_m5.htm, Printed Sep. 18, 2006, 1 Page.

Insight Technology, Inc., "Tactical Lights by Insight Technology Inc. (UTL, M3, LAM)—The M6 Tactical Laser Illuminator", © 2001, http://www.insightlights.com/oldsite/prod_m6.htm, Printed Sep. 18, 2006, 2 Pages.

Insight Technology, Inc., "Tactical Lights by Insight Technology Inc. (UTL, M3, LAM)—M6 Photo Gallery", © 2001, http://www.insightlights.com/oldsite/gallery_m6.htm, Printed Sep. 18, 2006, 1 Page.

Insight Technology, Inc., "Tactical Lights by Insight Technology Inc. (UTL, M3, LAM)—Laser Aiming Module (LAM)", © 2001, http://www.insightlights.com/oldsite/prod_lam.htm, Printed Sep. 18, 2006, 2 Pages.

Insight Technology, Inc., "Tactical Lights by Insight Technology Inc. (UTL, M3, LAM) LAM Photo Gallery", © 2001, http://www.insightlights.com/oldsite/gallery_lam.htm, Printed Sep. 18, 2006, 1 Page.

US D612,970 S

Page 3

Insight Technology, Inc., “Tactical Lights by Insight Technology Inc. (UTL, M3, LAM)—Parts & Accessories Photo Gallery”, © 2001, http://www.insightlights.com/oldsite/gallery_access.htm, Printed Sep. 18, 2006, 2 Pages.

Insight Technology, Inc., “X-treme Functionality . . . XTI Procyon”, © 2008, <http://www.insightlights.com/products-procyon.htm>, Printed Mar. 12, 2009, 1 page.

Insight Technology, Inc., “X-treme Design . . . X2”, © 2008, <http://www.insightlights.com/products-x2.htm>, Printed Mar. 12, 2009, 1 page.

Insight Technology, Inc., “X2 Sub-Compact Operator Manual”, Rev. Apr. 2005, 6 pages.

Surefire, “Laser Sights,” Weapon mounted laser sights from SureFire, © 2001-2004, http://www.surefire.com/maxexp/main/co_disp/displ/pgfnbr/364/sesent/00, Printed Oct. 28, 2004, 1 Page.

Surefire, “Weapon Lights,” Lights for weapons including handguns, shotguns, and rifles, © 2001-2004, http://www.surefire.com/maxexp/main/co_disp/displ/pgfnbr/211/sesent/00, Printed Oct. 28, 2004, 1 Page.

Surefire, “Handgun Weapon Lights,” Handgun Tactical WeaponLights provided by SureFire, © 2001-2004, http://www.surefire.com/maxexp/main/co_disp/displ/carfnbr/91/sesent/00, Printed Oct. 28, 2004, 2 pp.

Surefire, “Products,” X200 WeaponLight—X200 available from SureFire, © 2001-2004, http://www.surefire.com/maxexp/main.pl?pgm-co_disp&func-displ&strfnbr=6&prfnbr=1110&..., Printed Oct. 28, 2004, 2 Pages.

Surefire, “SureFire Integrated Shotgun WeaponLights,” Shotgun WeaponLights provided by SureFire, © 2001-2004, http://www.surefire.com/maxexp/main/co_disp/displ/carfnbr/92/sesent/00, Printed Oct. 28, 2004, 1 Page.

Surefire, “Rifle, Carbine & SMG Light Systems,” Rifle, Carbine & SMG WeaponLights Systems provided by SureFire, © 2001-2004,

http://www.surefire.com/maxexp/main/co_disp/displ/carfnbr/93/sesent/00, Printed Oct. 28, 2004, 1 Page.

Surefire, “Rifle, Carbine & SMG Light Systems,” Millennium Forends provided by SureFire, © 2001-2004, http://www.surefire.com/maxexp/main/co_disp/displ/carfnbr/265/sesent/00, Printed Oct. 28, 2004, 1 Page.

Surefire, “Rifle, Carbine & SMG Light Systems,” Millennium Universal WeaponLights provided by SureFire, © 2001-2004, http://www.surefire.com/maxexp/main/co_disp/displ/carfnbr/267/sesent/00, Printed Oct. 28, 2004, 1 Page.

Surefire, “Rifle, Carbine & SMG Light Systems,” Millennium Vertical Foregrip System provided by SureFire, © 2001-2004, http://www.surefire.com/maxexp/main/co_disp/displ/carfnbr/266/sesent/00, Printed Oct. 28, 2004, 1 Page.

Surefire, “Rifle, Carbine & SMG Light Systems,” Classic Series WeaponLights provided by SureFire, © 2001-2004, http://www.surefire.com/maxexp/main/co_disp/displ/carfnbr/271/sesent/00, Printed Oct. 28, 2004, 1 Page.

Surefire, “Weapon Mounts,” SureFire Weapon Mounts, © 2001-2004, http://www.surefire.com/maxexp/main/co_disp/displ/pgfnbr/378/sesent/00, Printed Oct. 28, 2004, 1 Page.

Surefire, “Products Weapon Mounts,” Picatinny forends provided by SureFire, © 2001-2004, http://www.surefire.com/maxexp/main/co_disp/displ/carfnbr/312/sesent/00, Printed Oct. 28, 2004, 1 Page.

Surefire, “Products Weapon Mounts,” S.I.R. System C (Selective Integrated Rail)—M61 available from SureFire, © 2001-2004, http://www.surefire.com/maxexp/main/co_disp/displ/prfnbr/824/sesent/00, Printed Oct. 28, 2004, 1 Page.

Falcon Tactical, “Sig Sauer Stoplite Vertical Grip with Weaponlight”, <http://www.falcontactical.net/sigsastvegrw.html>, © 2006-2009, 2 pages.

* cited by examiner

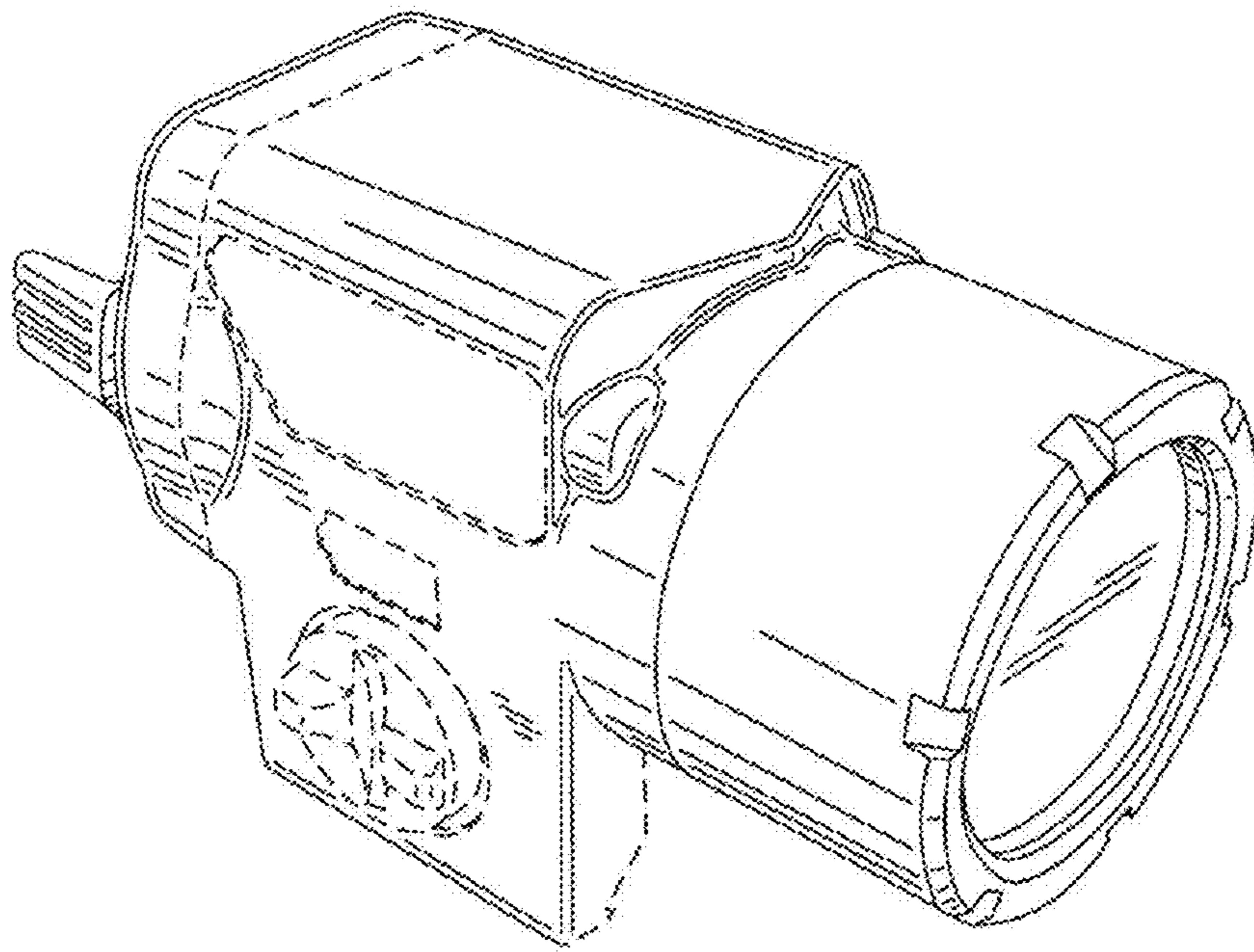


Fig. 1

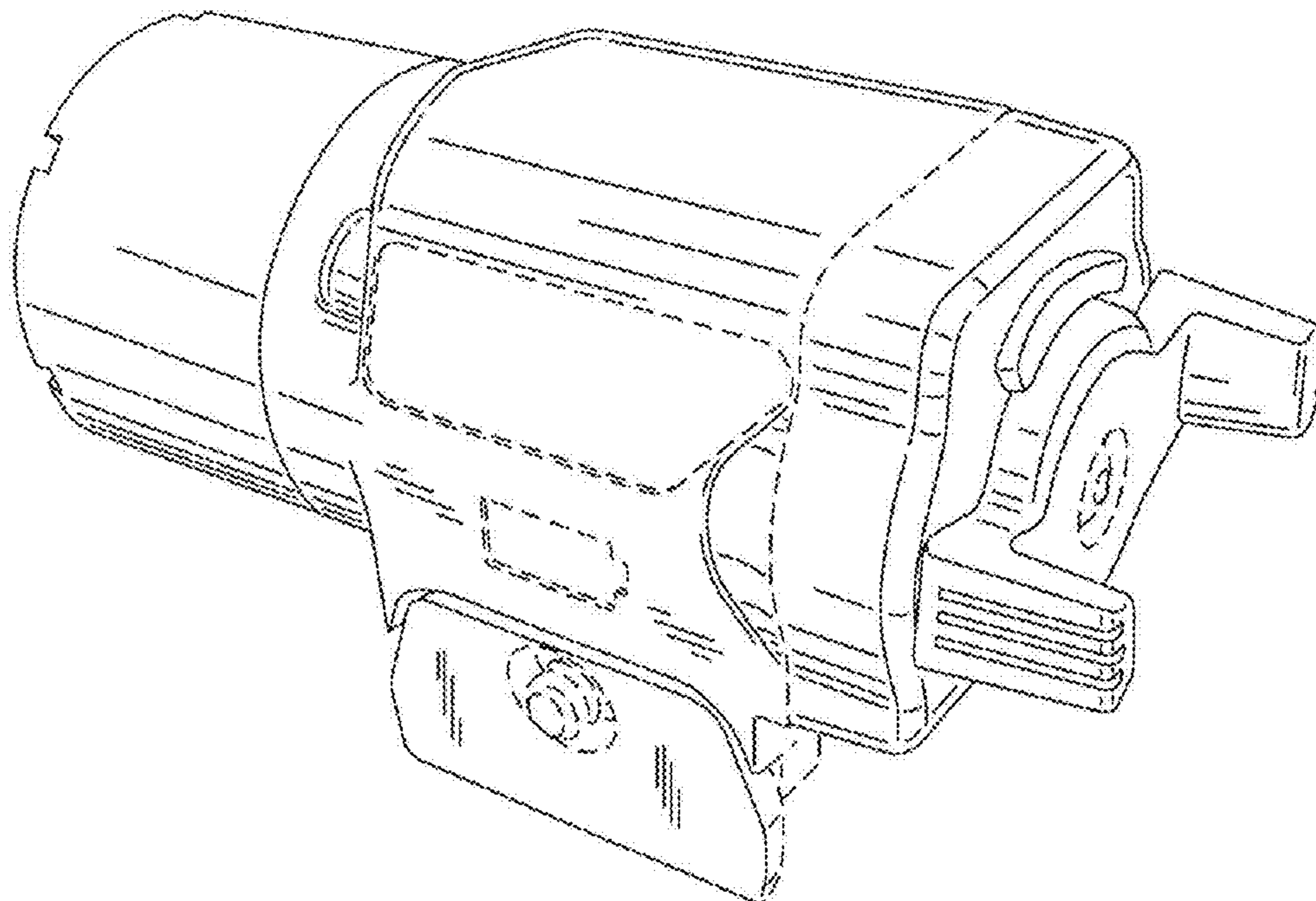


Fig. 2

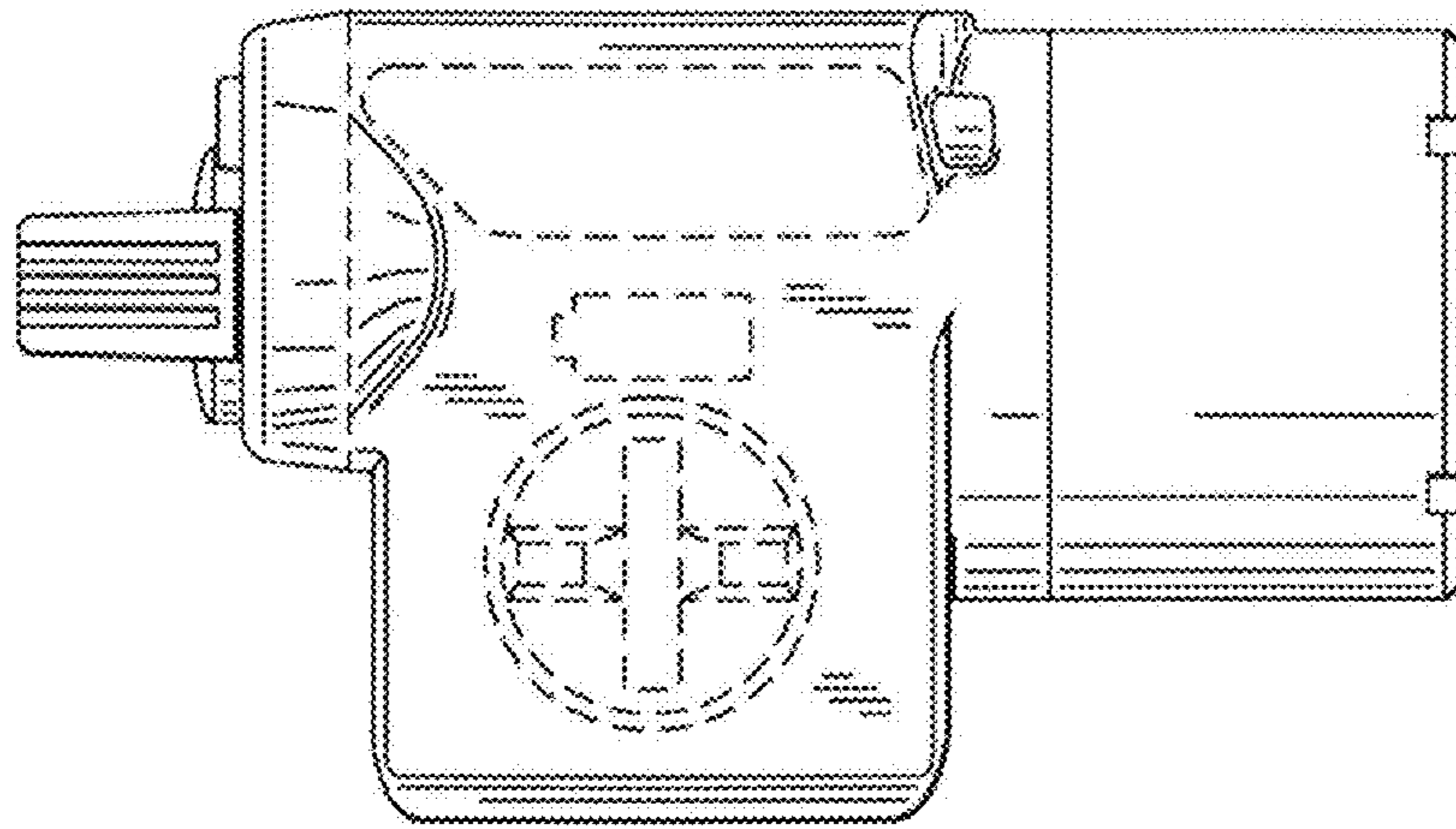


Fig. 3

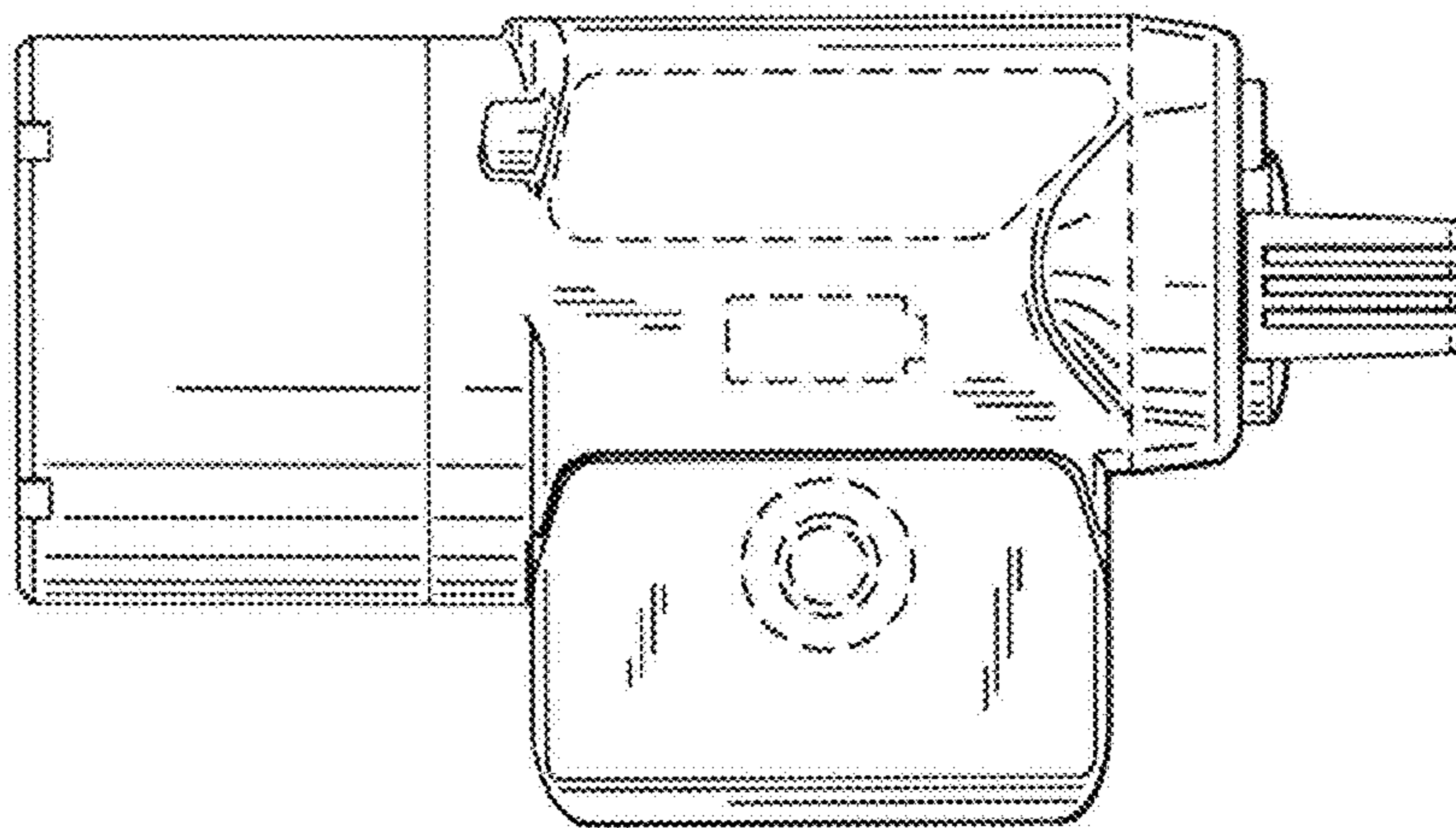


Fig. 4

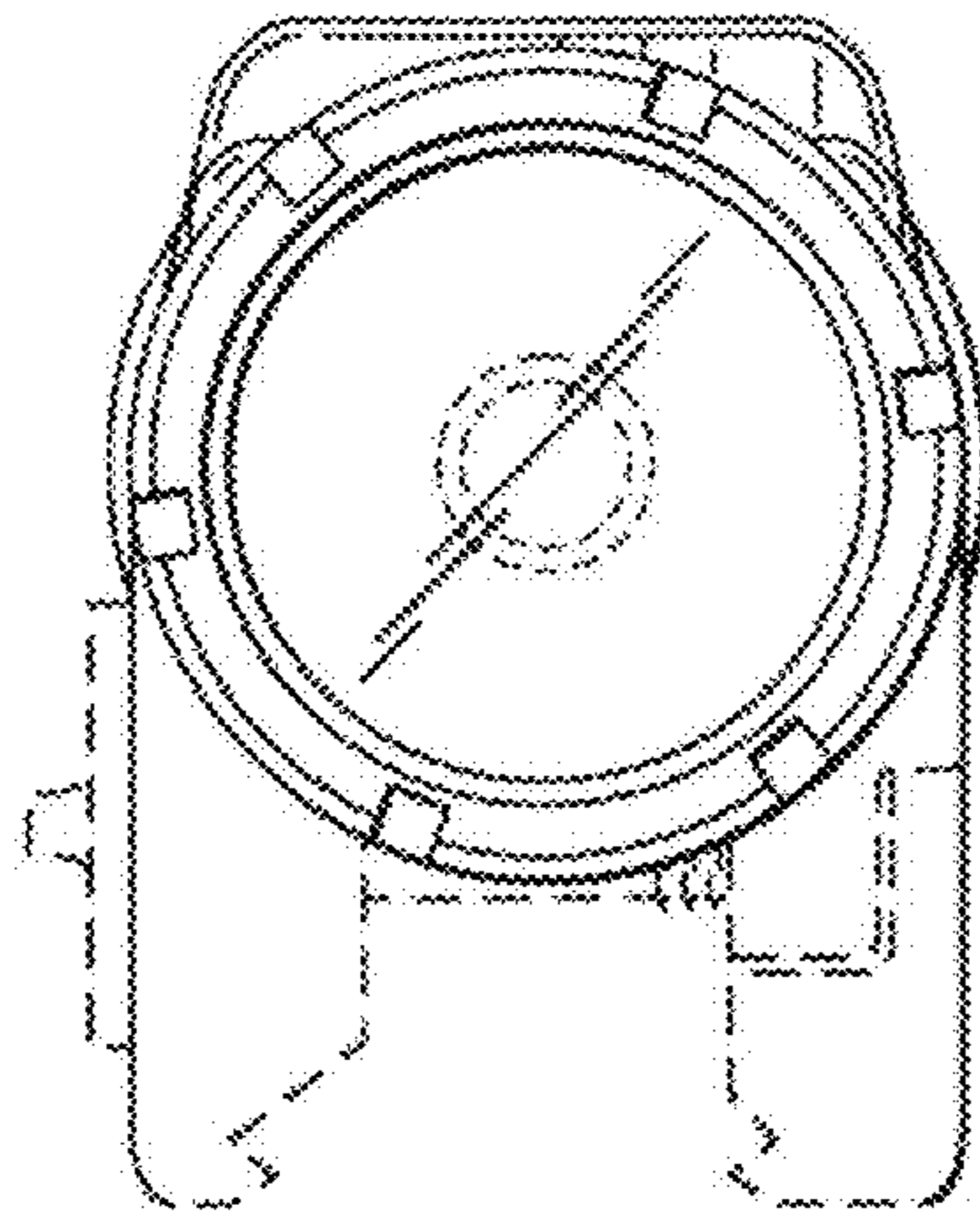


Fig. 5

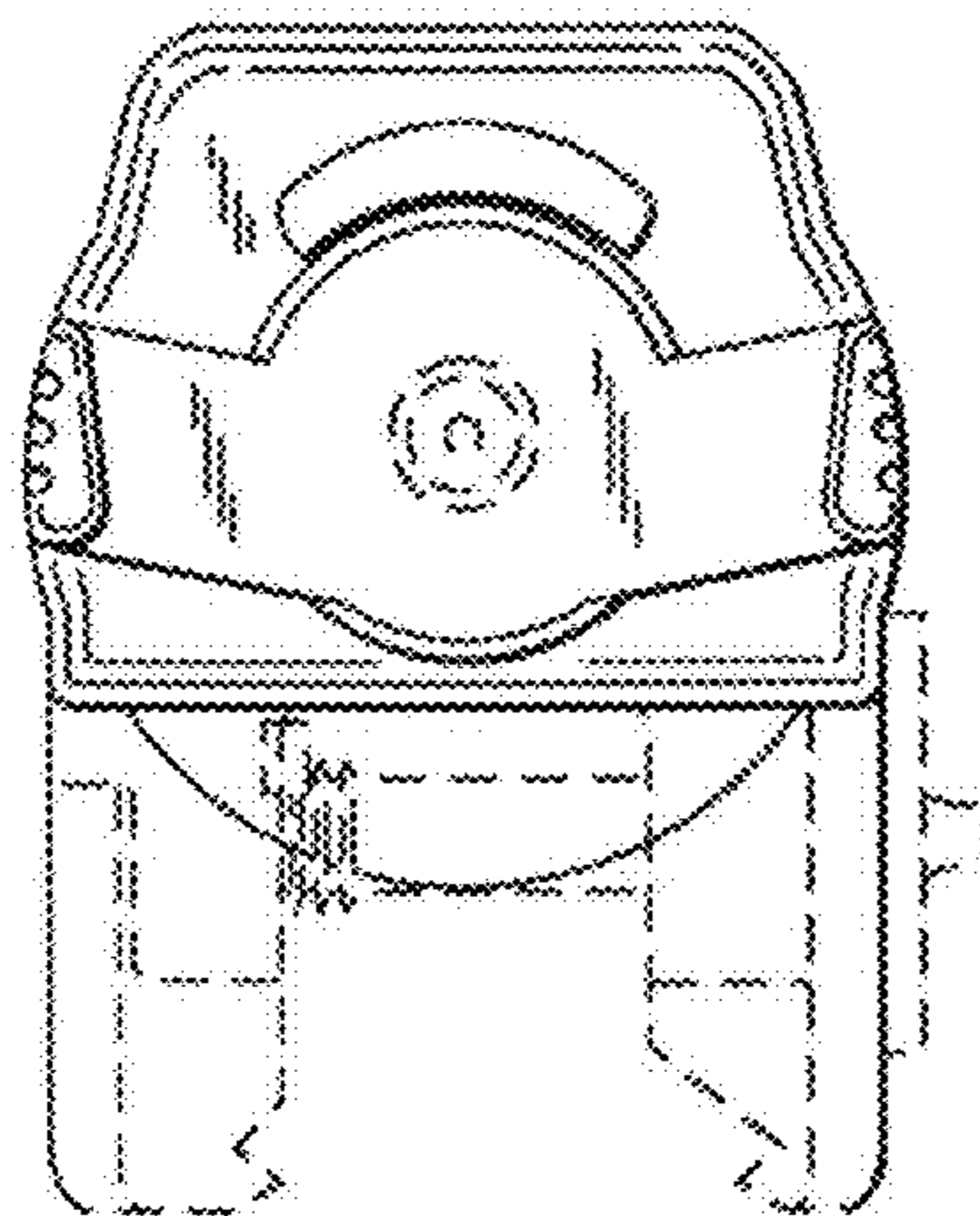


Fig. 6

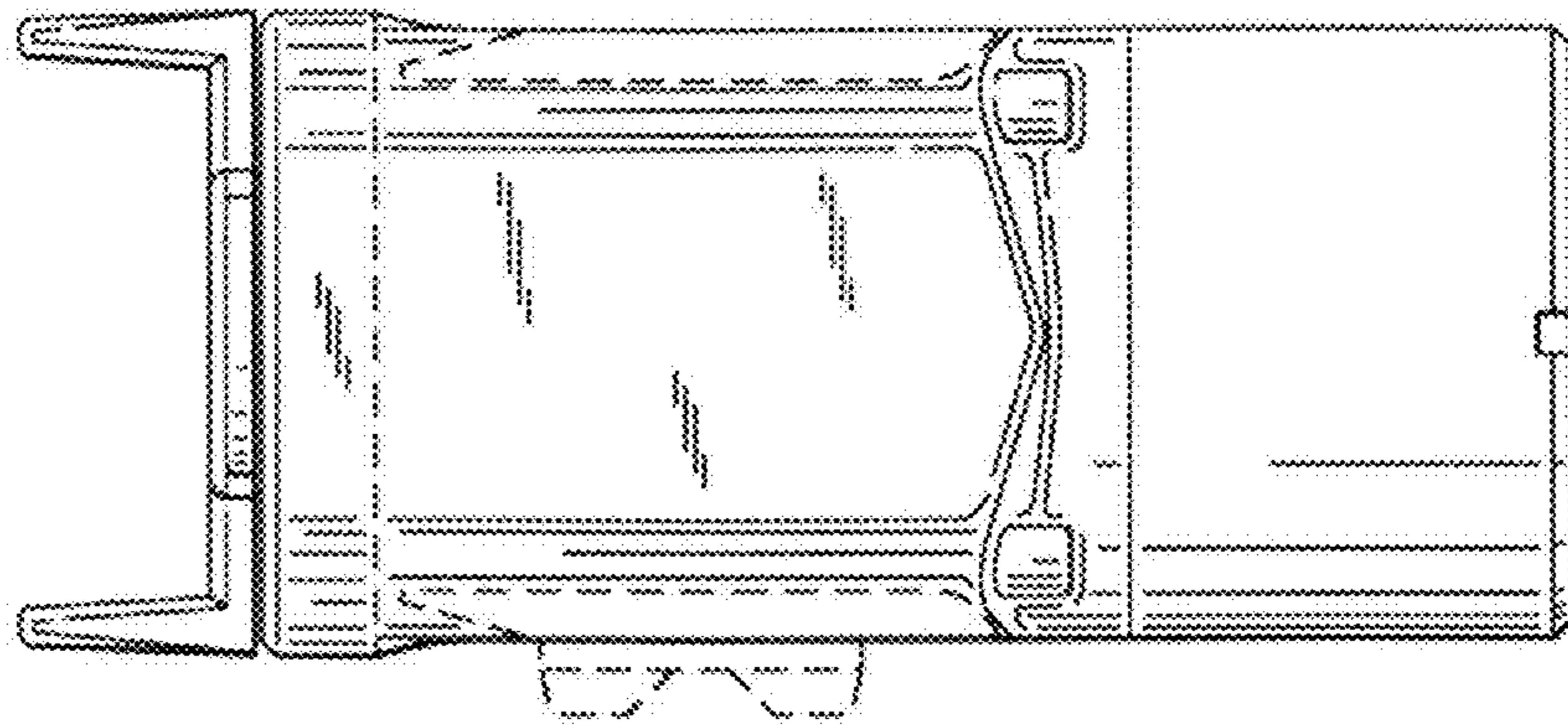


Fig. 7

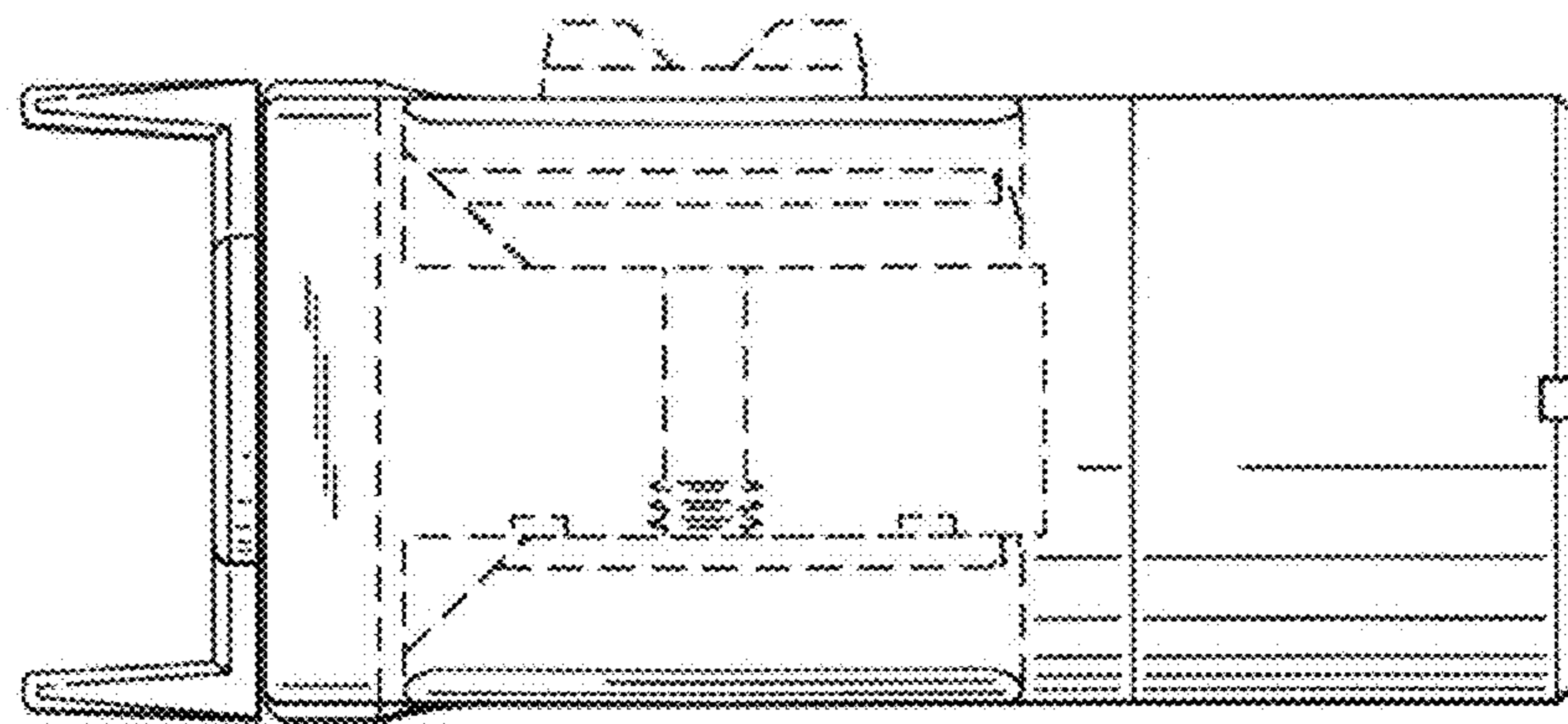


Fig. 8