



US00D612967S

(12) **United States Design Patent**  
**Gan et al.**

(10) **Patent No.:** **US D612,967 S**  
(45) **Date of Patent:** **\*\* Mar. 30, 2010**

- (54) **FLASHLIGHT**
- (75) Inventors: **Jun Hui Gan**, Huizhou (CN); **Thomas Maskel**, Cottage Grove, WI (US)
- (73) Assignee: **Rovcal**, Madison, WI (US)
- (\*\*) Term: **14 Years**
- (21) Appl. No.: **29/343,551**
- (22) Filed: **Sep. 15, 2009**
- (51) **LOC (9) Cl.** ..... **26-02**
- (52) **U.S. Cl.** ..... **D26/46**
- (58) **Field of Classification Search** ..... D26/37,  
D26/38, 39, 40, 42, 46, 49, 51, 55, 60; 362/157,  
362/158, 171–174, 194–196, 202–208  
See application file for complete search history.

- D528,689 S \* 9/2006 Opolka ..... D26/37
- D529,212 S 9/2006 Yuen
- D531,337 S 10/2006 Dalton et al.
- D542,451 S 5/2007 Chan
- D544,118 S \* 6/2007 Osiecki et al. .... D26/37
- D549,861 S 8/2007 Lin
- D553,283 S 10/2007 Rugendyke et al.
- 7,290,898 B2 11/2007 Martin et al.
- 7,309,137 B2 12/2007 Chan
- D560,834 S \* 1/2008 Nagano ..... D26/28
- 7,314,286 B2 1/2008 Sharrah et al.
- D567,418 S 4/2008 Gilbert et al.
- D572,393 S \* 7/2008 Johnston et al. .... D26/37
- 7,461,945 B2 12/2008 Shiao
- D601,733 S \* 10/2009 Nagano ..... D26/37
- 2003/0179572 A1 9/2003 Schnell
- 2005/0128738 A1 6/2005 Parker et al.
- 2005/0201085 A1 9/2005 Aikawa et al.

(56) **References Cited**

**U.S. PATENT DOCUMENTS**

- 4,376,965 A 3/1983 Bacevius
- 4,399,498 A 8/1983 Bacevius
- 5,410,457 A 4/1995 Parker
- 5,853,242 A 12/1998 Bouffay et al.
- 5,871,272 A 2/1999 Sharrah et al.
- 5,904,414 A 5/1999 Monteleone et al.
- D427,703 S 7/2000 Chan
- 6,142,644 A 11/2000 Leung
- D448,878 S 10/2001 Dalton et al.
- D449,395 S 10/2001 Dalton et al.
- 6,361,184 B1 3/2002 Hallgrimsson et al.
- 6,523,972 B2 2/2003 Sharrah et al.
- 6,533,434 B2 3/2003 Yuen
- D480,490 S \* 10/2003 Lai ..... D26/37
- D482,151 S 11/2003 Shiu
- 6,659,621 B2 12/2003 Sharrah et al.
- 6,736,531 B2 5/2004 Wallach
- D494,301 S 8/2004 Lee
- 6,817,730 B2 11/2004 Sharrah et al.
- D501,267 S 1/2005 Kung
- 6,866,401 B2 3/2005 Sommers et al.
- D504,966 S \* 5/2005 Osiecki et al. .... D26/37
- D509,012 S 8/2005 Chan
- 7,048,403 B2 5/2006 Parker et al.
- D527,137 S 8/2006 Urich
- 7,083,299 B2 8/2006 Chapman

(Continued)

*Primary Examiner*—Ian Simmons  
*Assistant Examiner*—Carissa C Fitts  
(74) *Attorney, Agent, or Firm*—Banner & Witcoff, Ltd.

(57) **CLAIM**

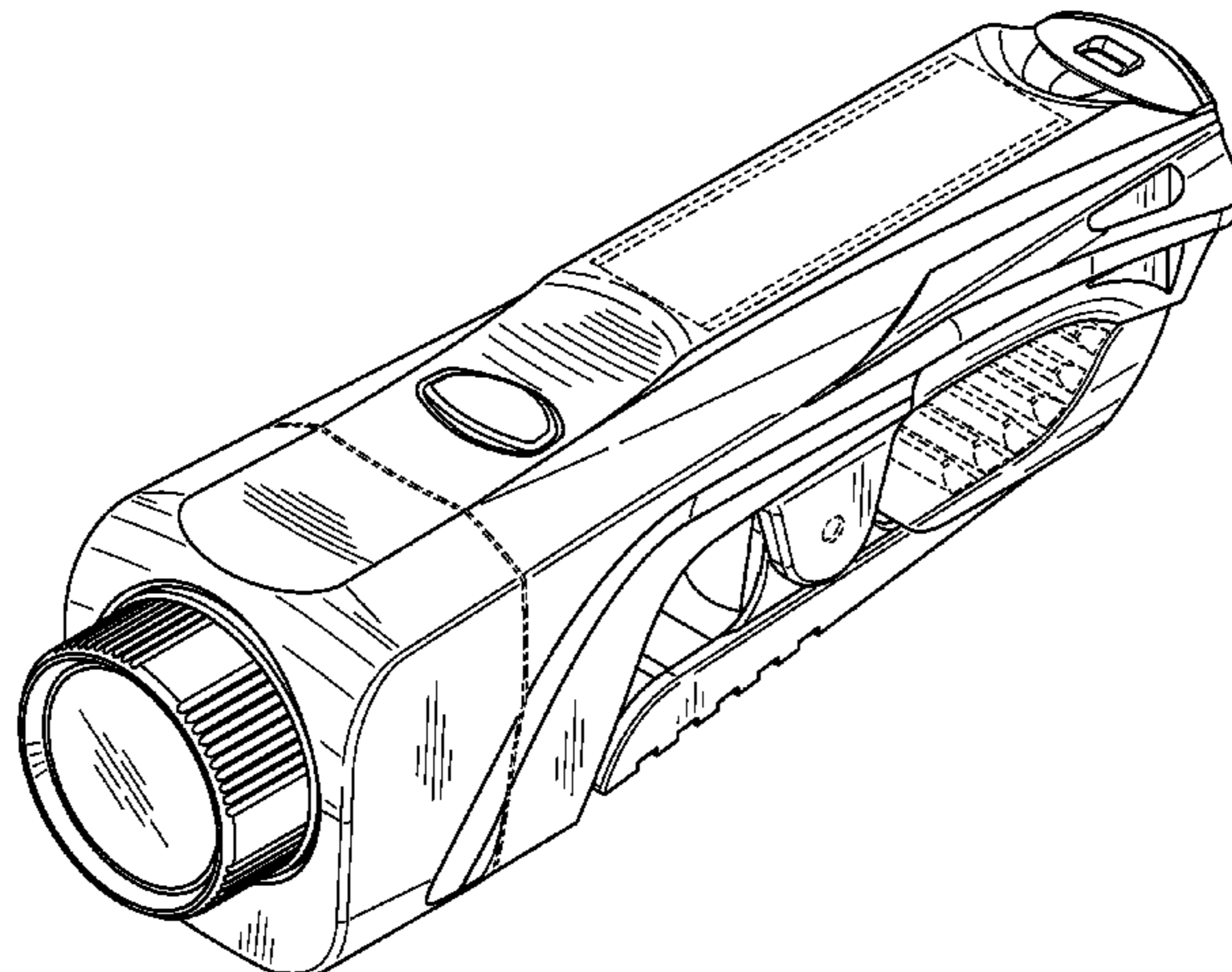
The ornamental design for a flashlight, as shown and described.

**DESCRIPTION**

FIG. 1 is a perspective view of a flashlight showing our new design,  
FIG. 2 is a front view thereof,  
FIG. 3 is a rear view thereof,  
FIG. 4 is a right side view thereof,  
FIG. 5 is a left side view thereof;  
FIG. 6 is top view thereof; and,  
FIG. 7 is a bottom view thereof.

The broken line showing of the remainder of the flashlight is for environmental purposes only and forms no part of the claimed design.

**1 Claim, 4 Drawing Sheets**



# US D612,967 S

Page 2

---

## U.S. PATENT DOCUMENTS

2006/0072328 A1 4/2006 Chan  
2006/0126349 A1 6/2006 Parker et al.  
2007/0177373 A1 8/2007 Zeller

2008/0049416 A1 2/2008 Fisherman et al.  
2008/0055888 A1 3/2008 Sharrah et al.

\* cited by examiner

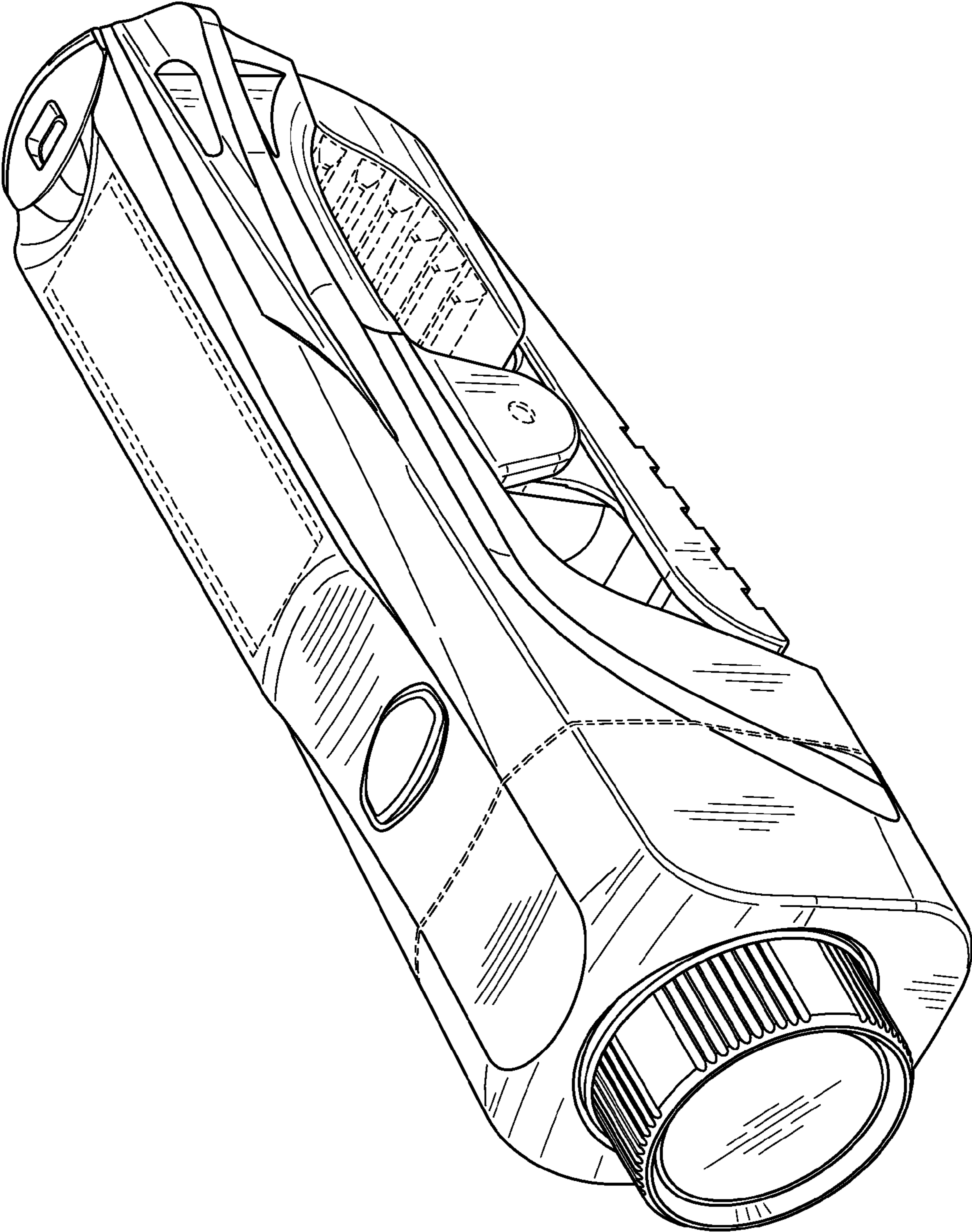


FIG. 1

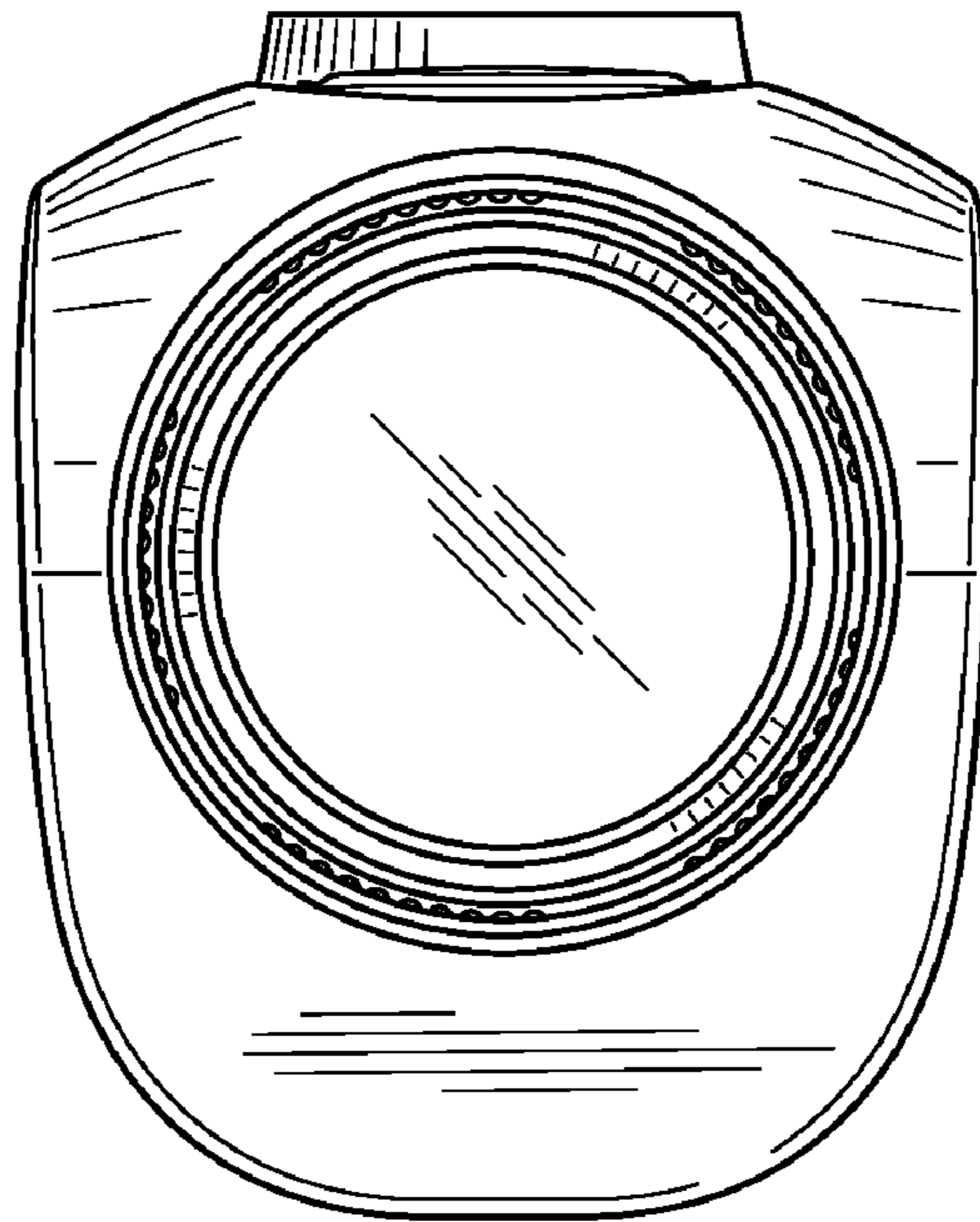


FIG. 2

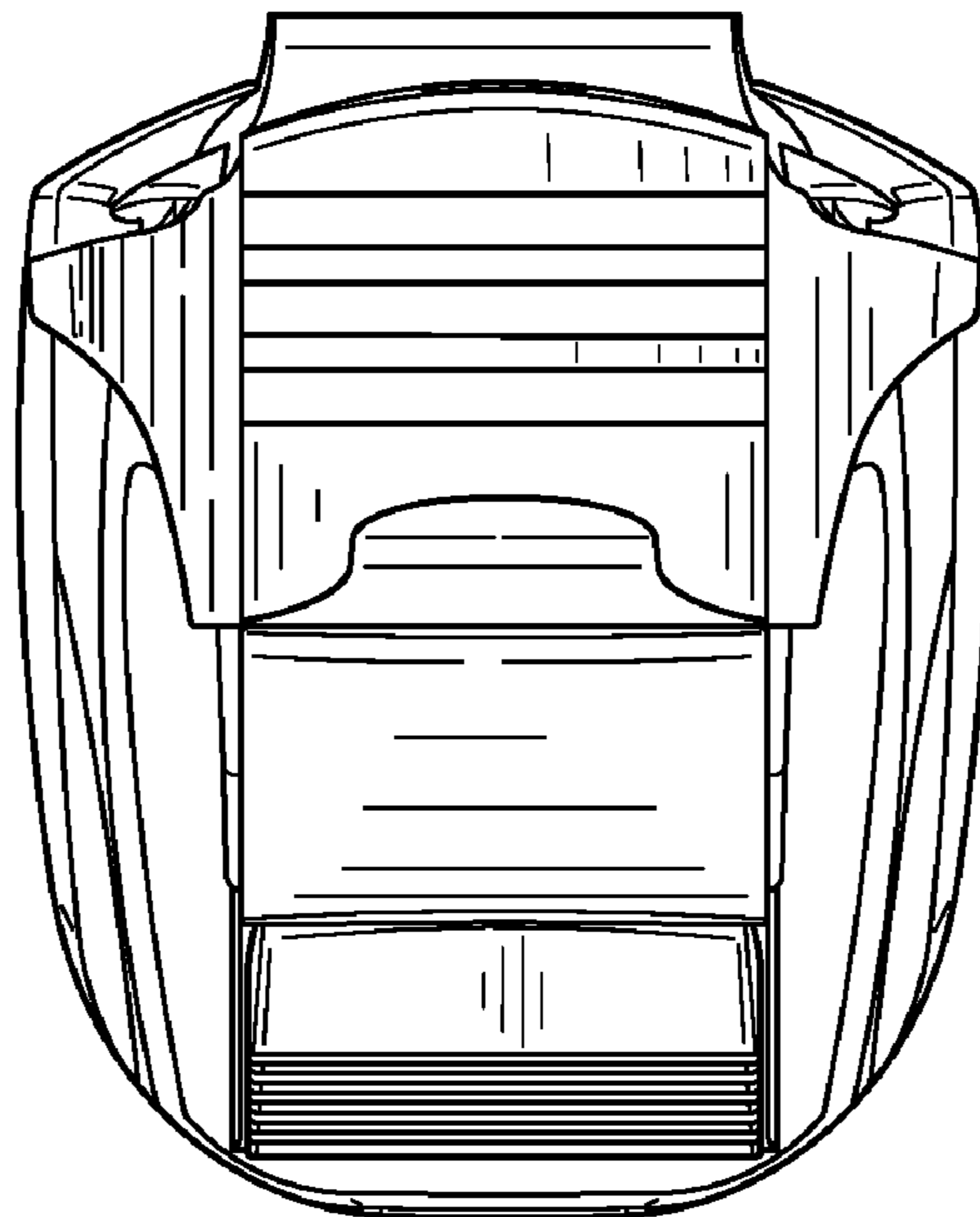


FIG. 3

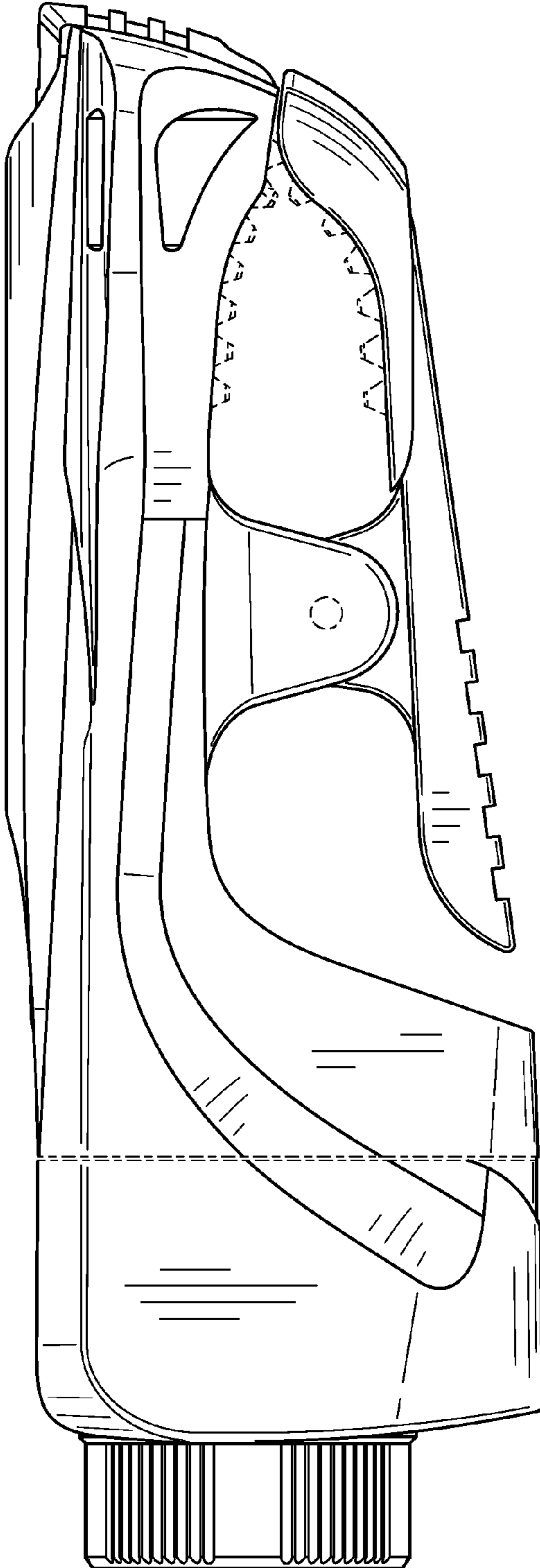


FIG. 4

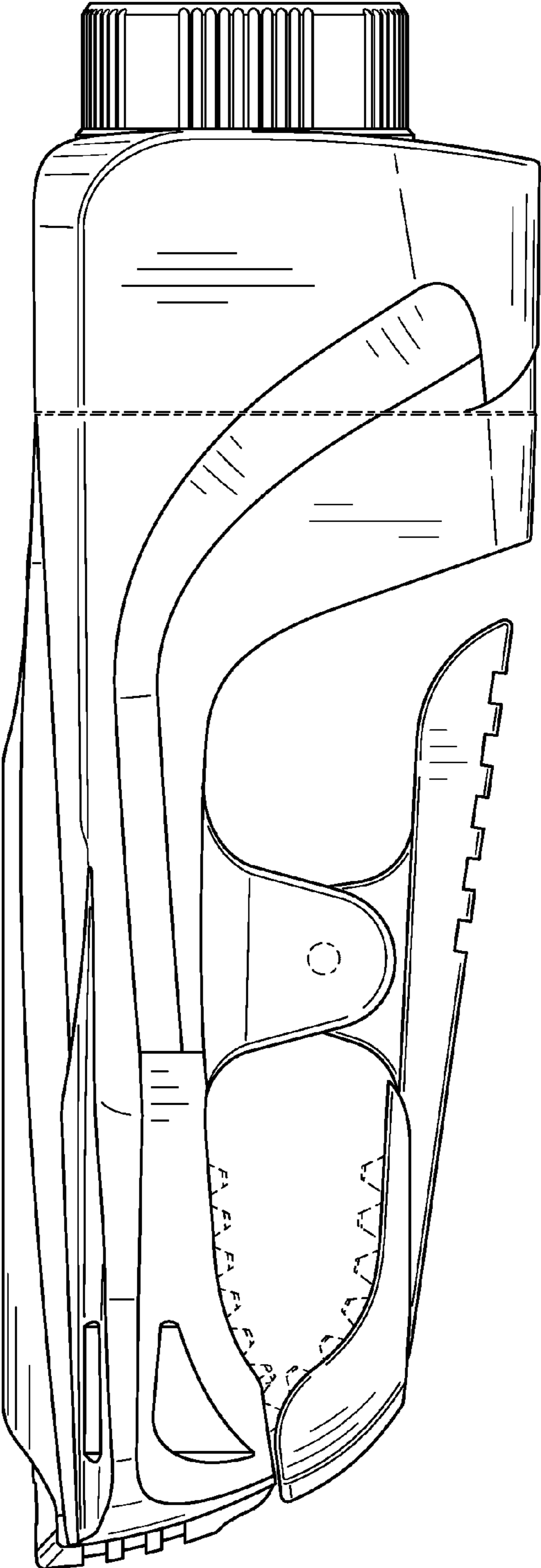


FIG. 5

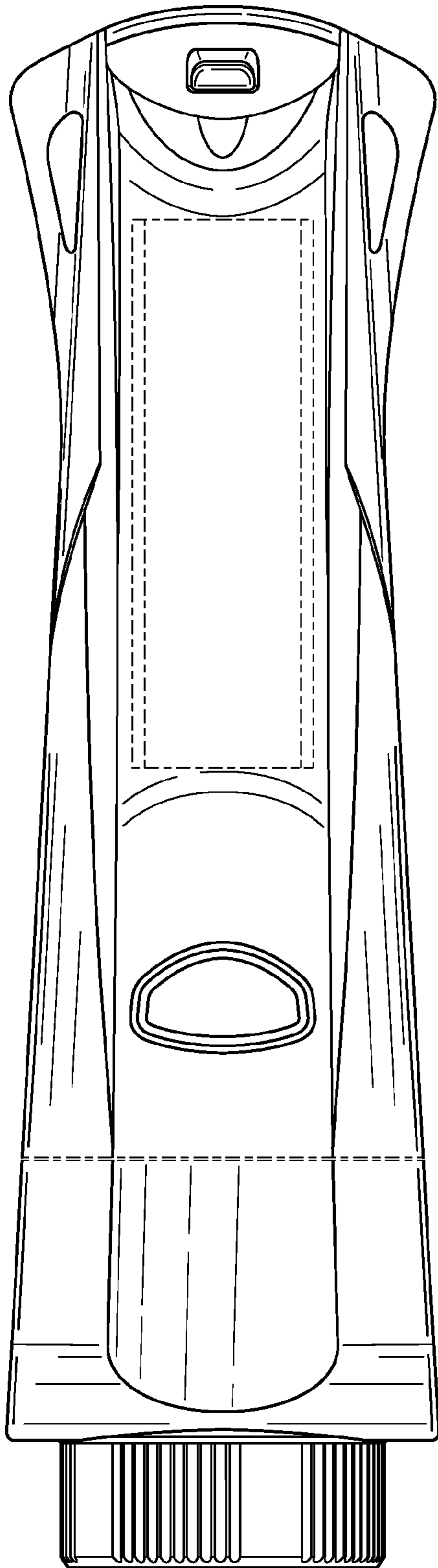


FIG. 6

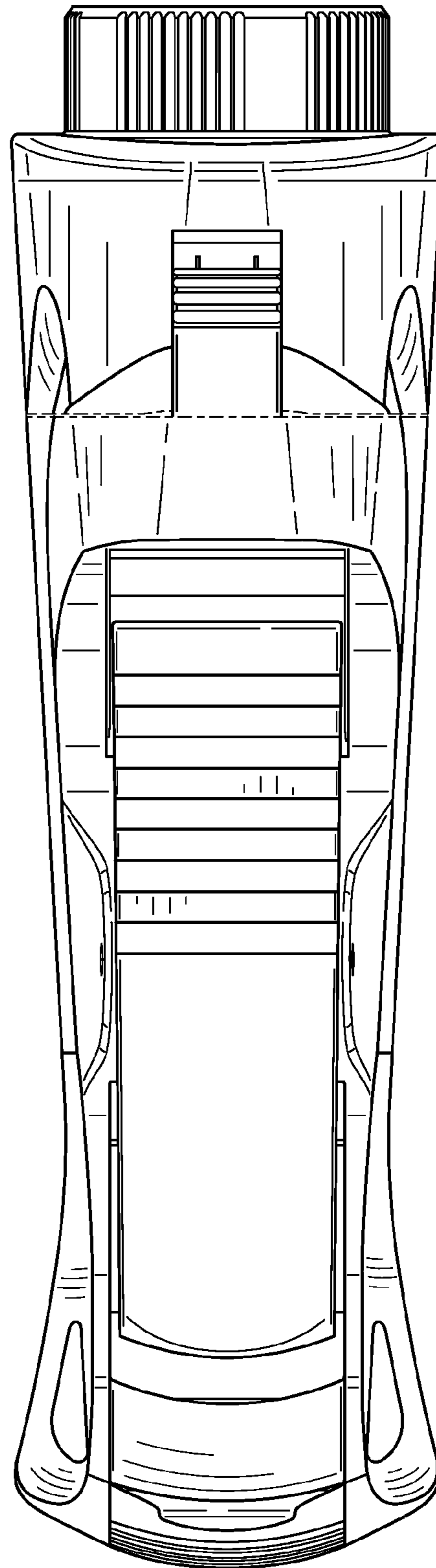


FIG. 7