



US00D612966S

(12) **United States Design Patent**
Jiang

(10) **Patent No.:** **US D612,966 S**

(45) **Date of Patent:** **** *Mar. 30, 2010**

(54) **HAND LIGHT**

(75) Inventor: **Zheng Jiang**, Shanghai (CN)

(73) Assignee: **American Electric Cord, Inc.**, Shanghai (CN)

(*) Notice: This patent is subject to a terminal disclaimer.

(**) Term: **14 Years**

(21) Appl. No.: **29/338,830**

(22) Filed: **Jun. 19, 2009**

(51) **LOC (9) Cl.** **26-02**

(52) **U.S. Cl.** **D26/42**

(58) **Field of Classification Search** D26/37,
D26/38, 40, 42, 43, 44, 46, 49; 362/157,
362/158, 183, 184, 190, 191, 194-196, 198-208
See application file for complete search history.

(56) **References Cited**

U.S. PATENT DOCUMENTS

D367,123 S *	2/1996	Blye	D26/42
5,697,695 A *	12/1997	Lin et al.	362/184
D389,420 S *	1/1998	Campman	D10/114
D504,968 S *	5/2005	Bayat et al.	D26/42
D505,217 S *	5/2005	Bayat et al.	D26/42
D515,721 S *	2/2006	Lin	D26/44

D538,456 S *	3/2007	Trigiani et al.	D26/42
D548,382 S *	8/2007	Akerberg	D26/42
D567,978 S *	4/2008	Jianwei	D26/42
D574,741 S *	8/2008	Gadsden	D10/114
D597,692 S *	8/2009	Jiang	D26/42
D601,736 S *	10/2009	Swan	D26/49
2005/0063179 A1 *	3/2005	Niemann	362/184
2006/0198132 A1 *	9/2006	Trigiani et al.	362/183

* cited by examiner

Primary Examiner—Ian Simmons

Assistant Examiner—Carissa C Fitts

(74) *Attorney, Agent, or Firm*—Stephen M. Nipper; Dykas, Shaver & Nipper, LLP

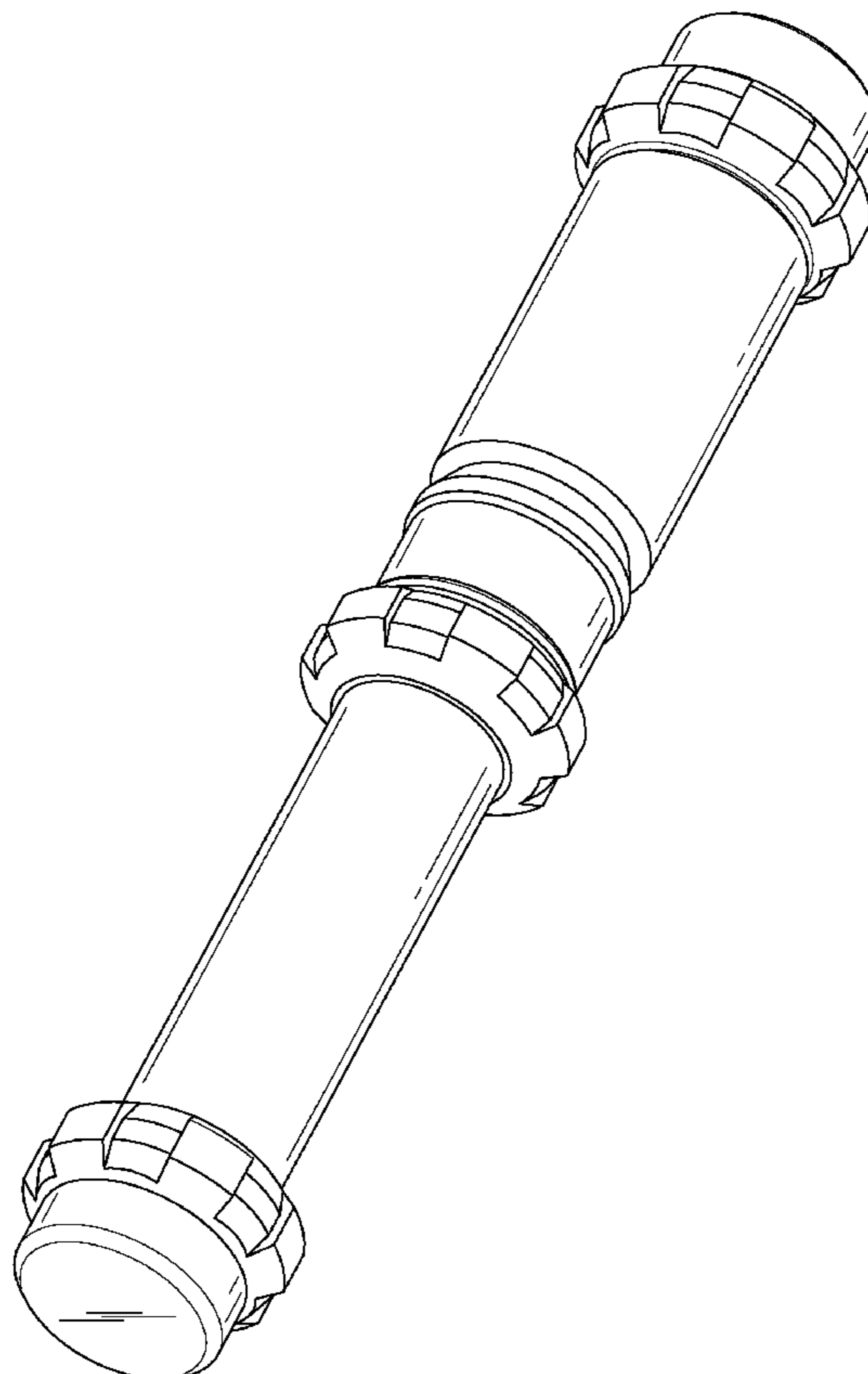
(57) **CLAIM**

The ornamental design for a hand light, as shown and described.

DESCRIPTION

FIG. 1 is a perspective representational view of the hand light; FIG. 2 is a back side view of the hand light; FIG. 3 is a first side view of the hand light; FIG. 4 is a front side view of the hand light; FIG. 5 is a second side view of the hand light; FIG. 6 is a first end view, of the hand light; and, FIG. 7 is a second end view of the hand light.

1 Claim, 4 Drawing Sheets



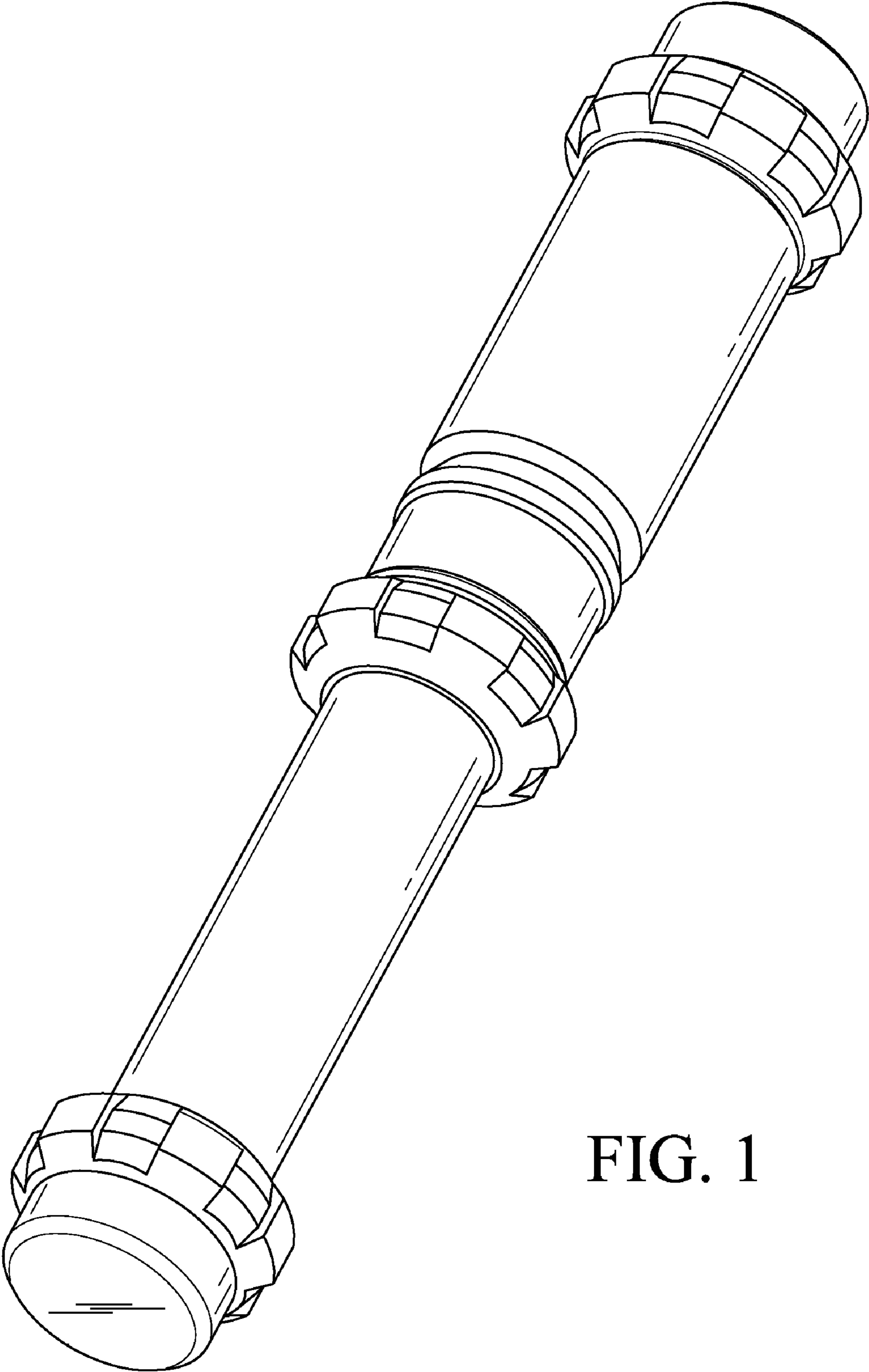


FIG. 1

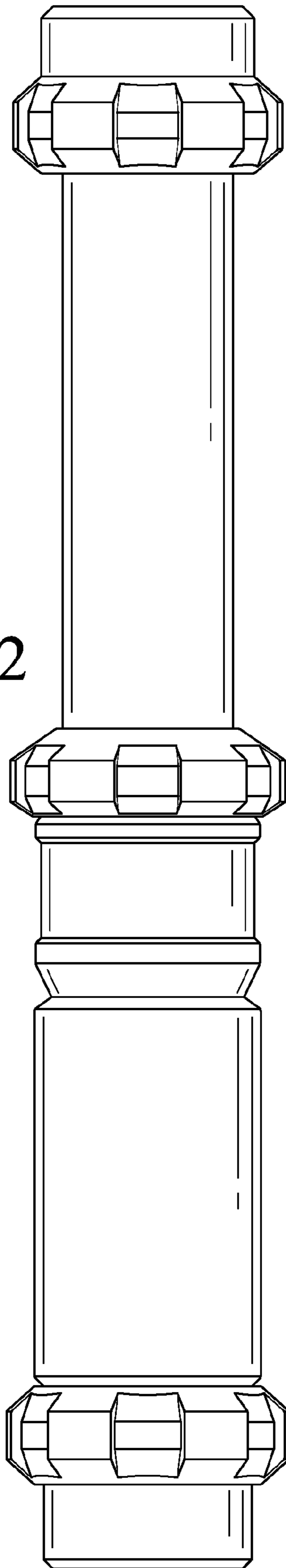


FIG. 2

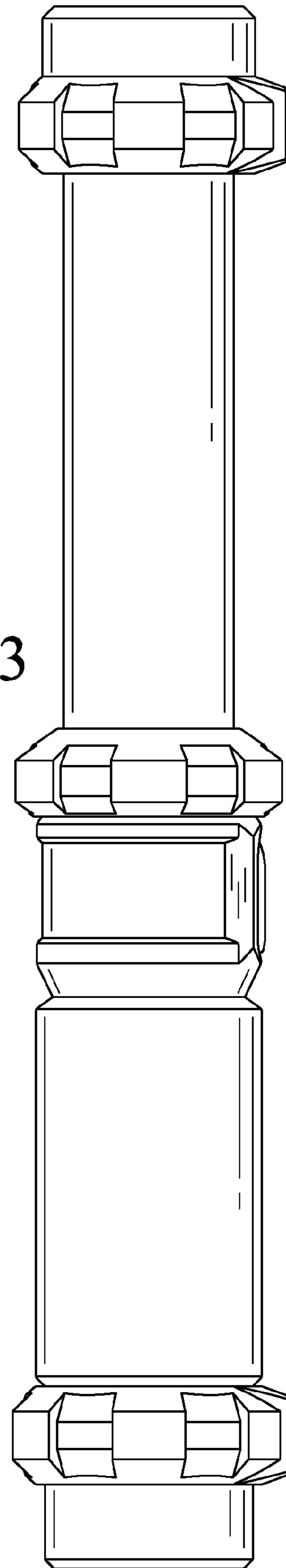


FIG. 3

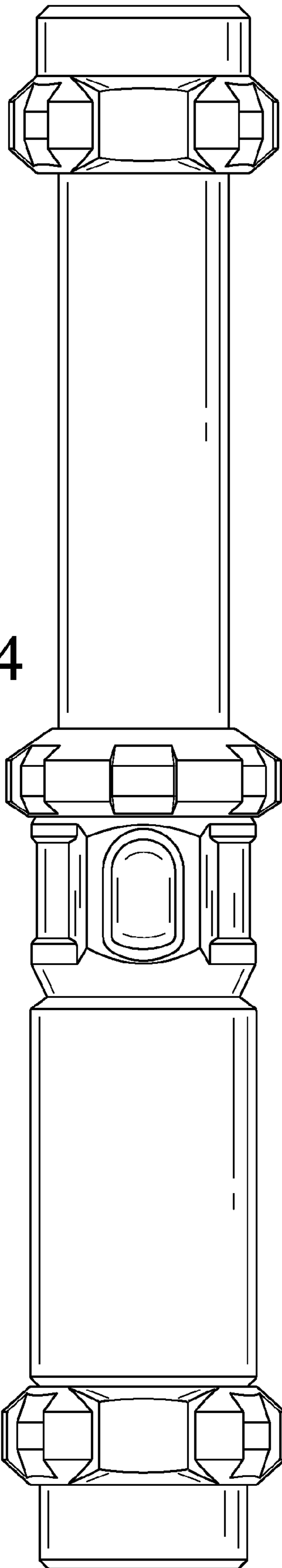


FIG. 4

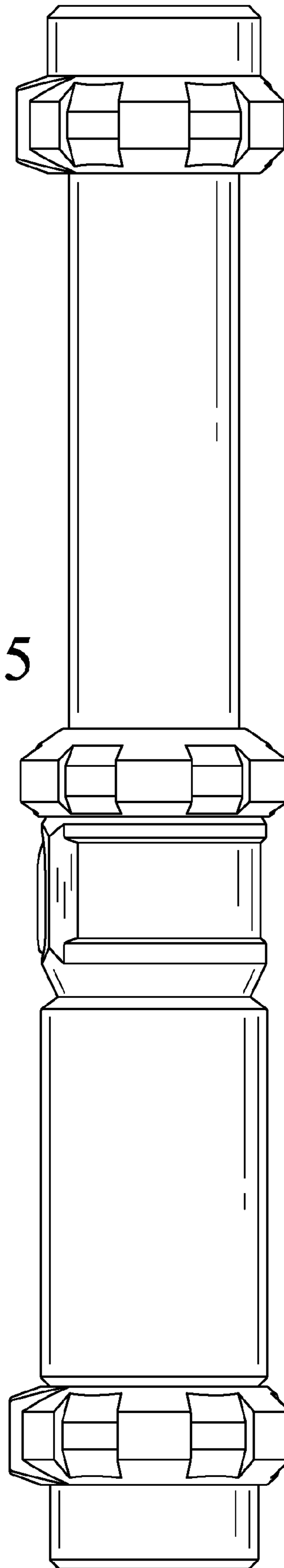


FIG. 5

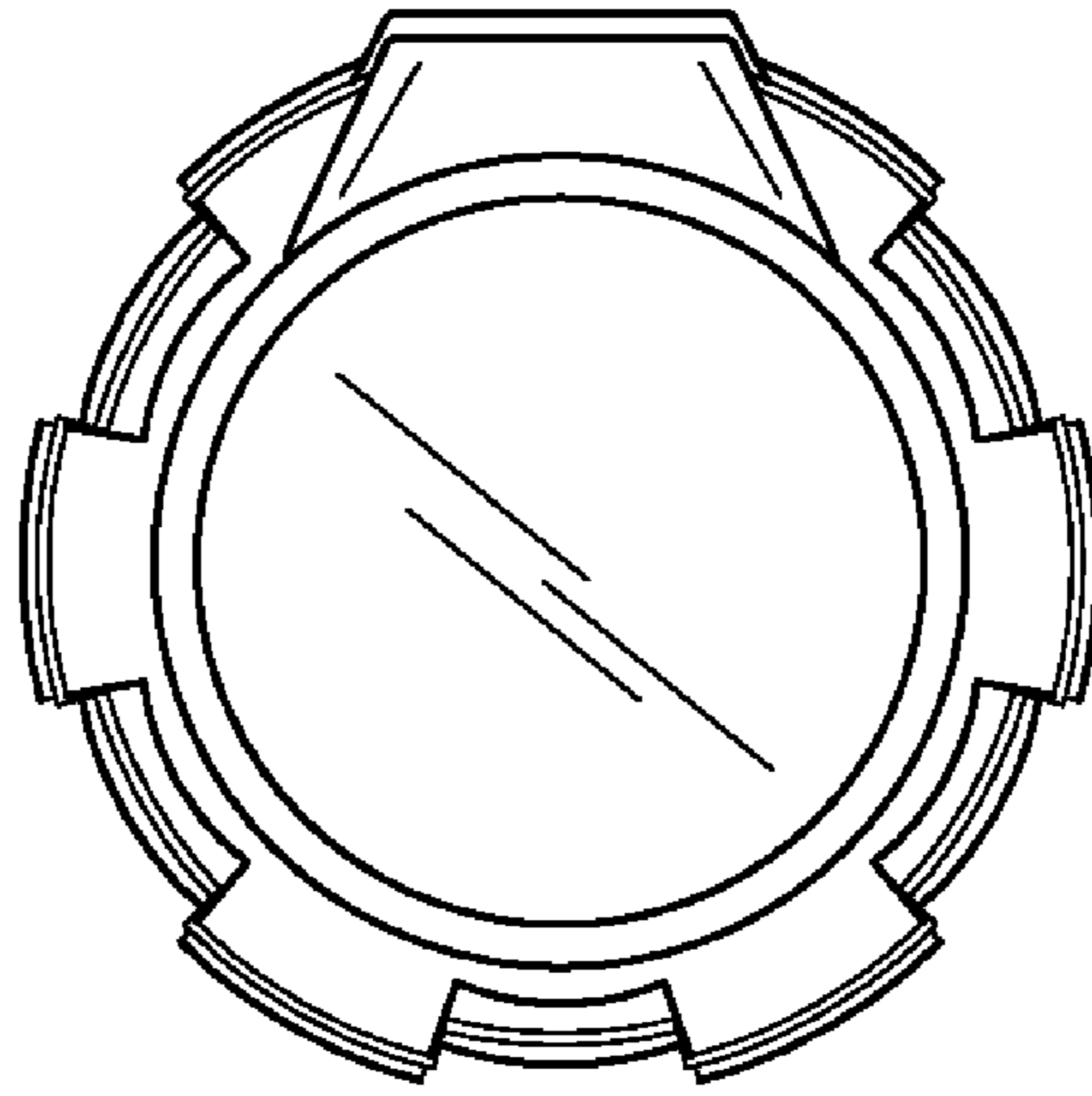


FIG. 6

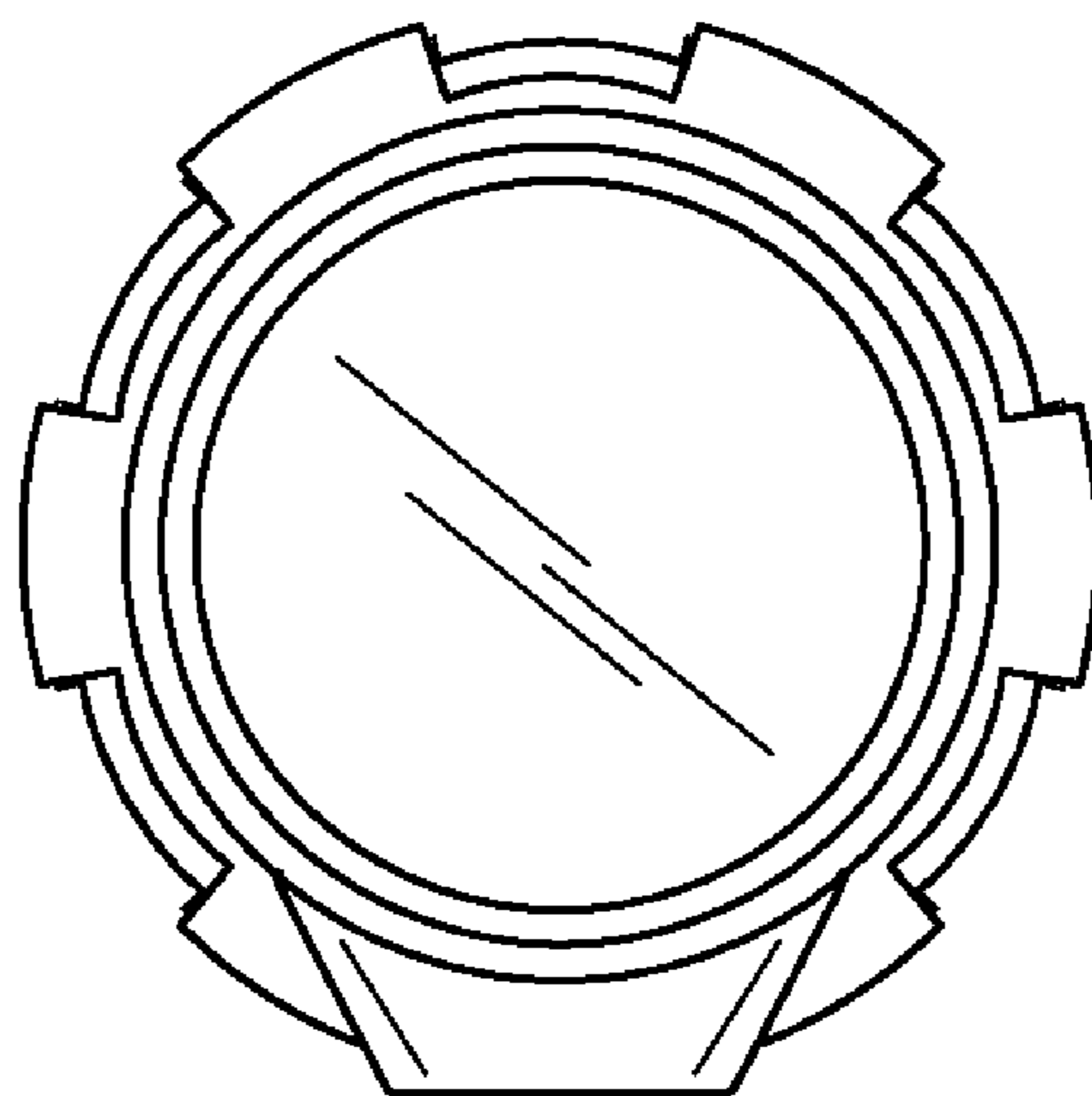


FIG. 7