



US00D612965S

(12) **United States Design Patent**  
**Extrand**

(10) **Patent No.:** **US D612,965 S**

(45) **Date of Patent:** **\*\* \*Mar. 30, 2010**

(54) **NOVELTY LAMP**

D559,418 S \* 1/2008 Poon ..... D26/40

(76) Inventor: **Charles Extrand**, 408 E. Minnehaha Pkwy., Minneapolis, MN (US) 55419

(\*\*) Term: **14 Years**

(21) Appl. No.: **29/329,703**

(22) Filed: **Dec. 19, 2008**

(51) **LOC (9) Cl.** ..... **26-02**

(52) **U.S. Cl.** ..... **D26/41; D26/57**

(58) **Field of Classification Search** ..... D26/37,  
D26/38, 40, 41, 42, 50; 362/157, 158, 171,  
362/177, 178, 183-184, 194-208; D22/148,  
D22/136, 134; D32/53; 43/56

See application file for complete search history.

(56) **References Cited**

**U.S. PATENT DOCUMENTS**

4,260,070 A	4/1981	Pierson	
D280,027 S *	8/1985	Petterson	D26/40
D285,595 S *	9/1986	Lanius	D22/136
4,891,030 A *	1/1990	Gertzfeld	446/118
D326,305 S *	5/1992	Wah	D22/123
5,123,198 A *	6/1992	Von Grossmann	43/55
D333,862 S *	3/1993	Merechka	D22/136
5,192,126 A *	3/1993	Remeyer et al.	362/184
5,293,306 A *	3/1994	Bamber	362/186
D350,830 S *	9/1994	Bamber	D26/42
5,507,113 A	4/1996	Keller	
5,529,204 A *	6/1996	Sykes	43/55
D384,391 S *	9/1997	Bastian	D22/148
5,860,729 A *	1/1999	Bamber	362/184
D496,980 S *	10/2004	Tyson	D22/136
D500,528 S *	1/2005	Morris et al.	D21/324
D524,962 S *	7/2006	Farmer	D26/37
D541,961 S *	5/2007	Tarter et al.	D26/40
D554,785 S *	11/2007	Brown et al.	D26/41

**OTHER PUBLICATIONS**

Cabela's World's Foremost Outfitters, On-line catalog printout dated Oct. 25, 2009; Product description for Frabill bait container/minnow bucket, 2 Pgs. Depicted product believed to have been on-sale in the United States more than one-year prior to Dec. 19, 2008.

\* cited by examiner

*Primary Examiner*—Ian Simmons

*Assistant Examiner*—Carissa C Fitts

(74) *Attorney, Agent, or Firm*—Patterson, Thuente, Skaar & Christensen PA

(57) **CLAIM**

The ornamental design for a novelty lamp, as shown and described.

**DESCRIPTION**

FIG. 1 is a front perspective view of a novelty lamp according to the invention;

FIG. 2 is a front elevation view of the novelty lamp depicted in FIG. 1;

FIG. 3 is a rear elevation view of the novelty lamp depicted in FIG. 1;

FIG. 4 is a first side elevation view of the novelty lamp depicted in FIG. 1;

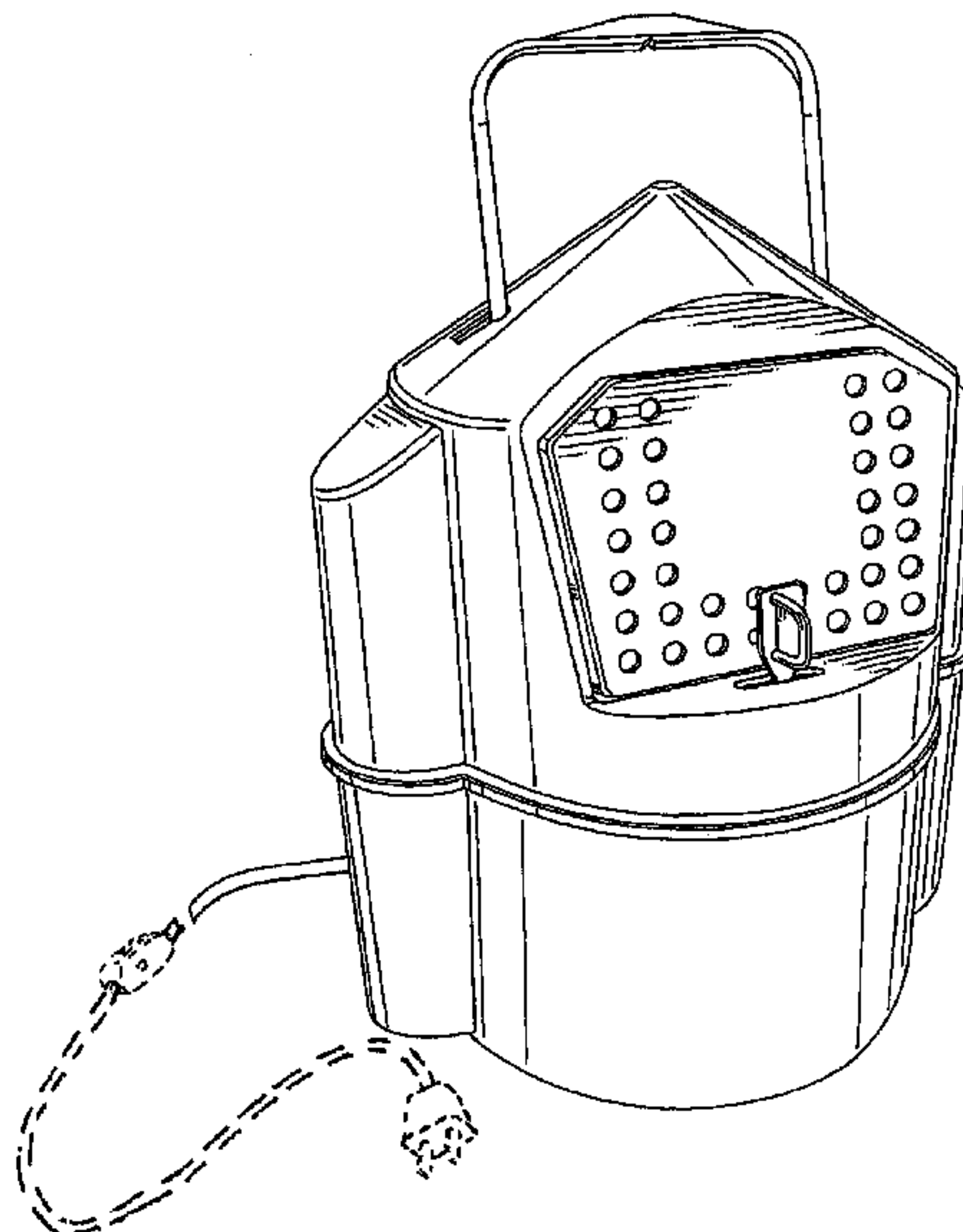
FIG. 5 is an opposing side elevation view of the novelty lamp depicted in FIG. 1;

FIG. 6 is a top plan view of the novelty lamp depicted in FIG. 1; and,

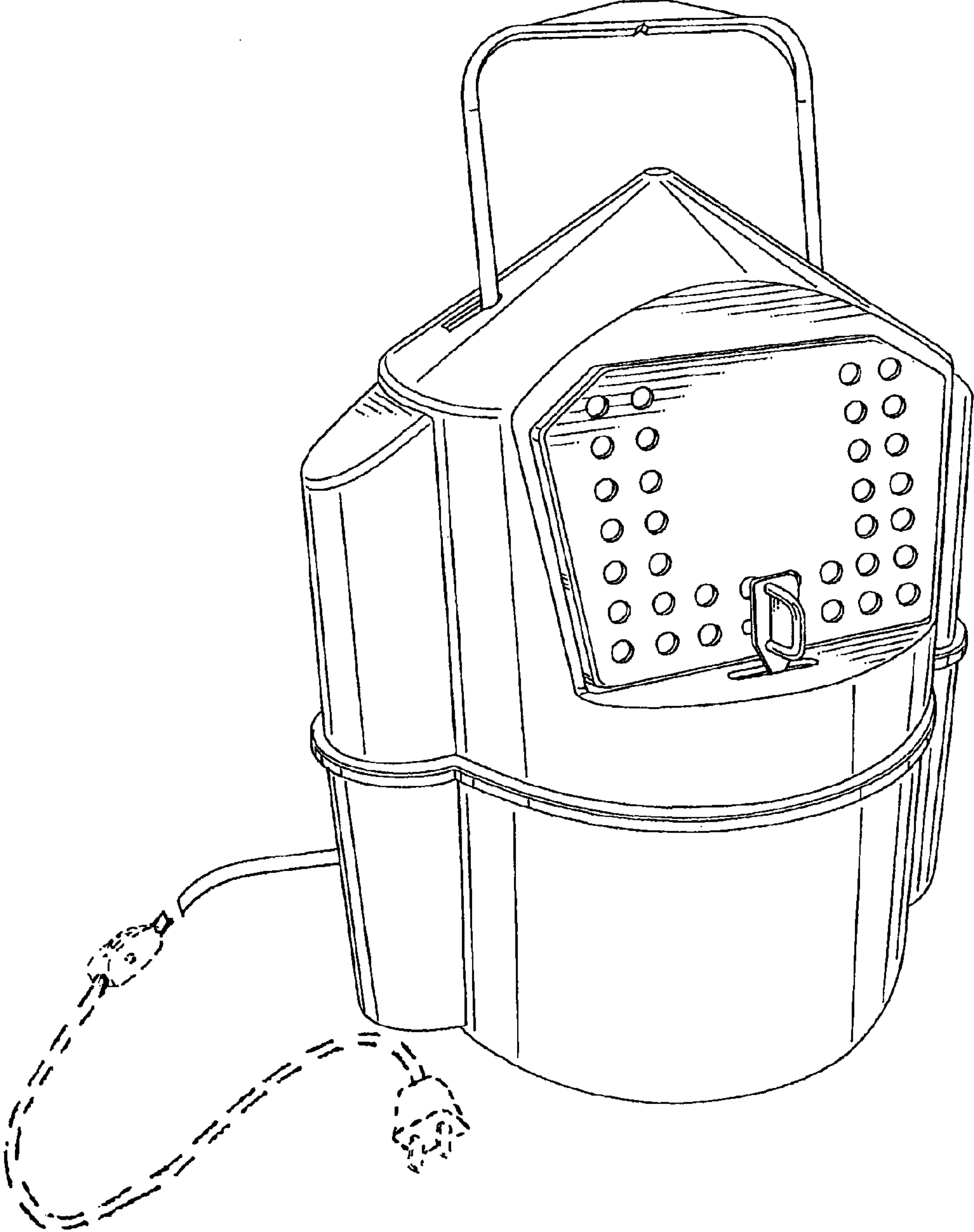
FIG. 7 is a bottom plan view of the novelty lamp depicted in FIG. 1.

The structure depicted in broken lines is included for the purpose of illustrating environment and forms no part of the claimed design.

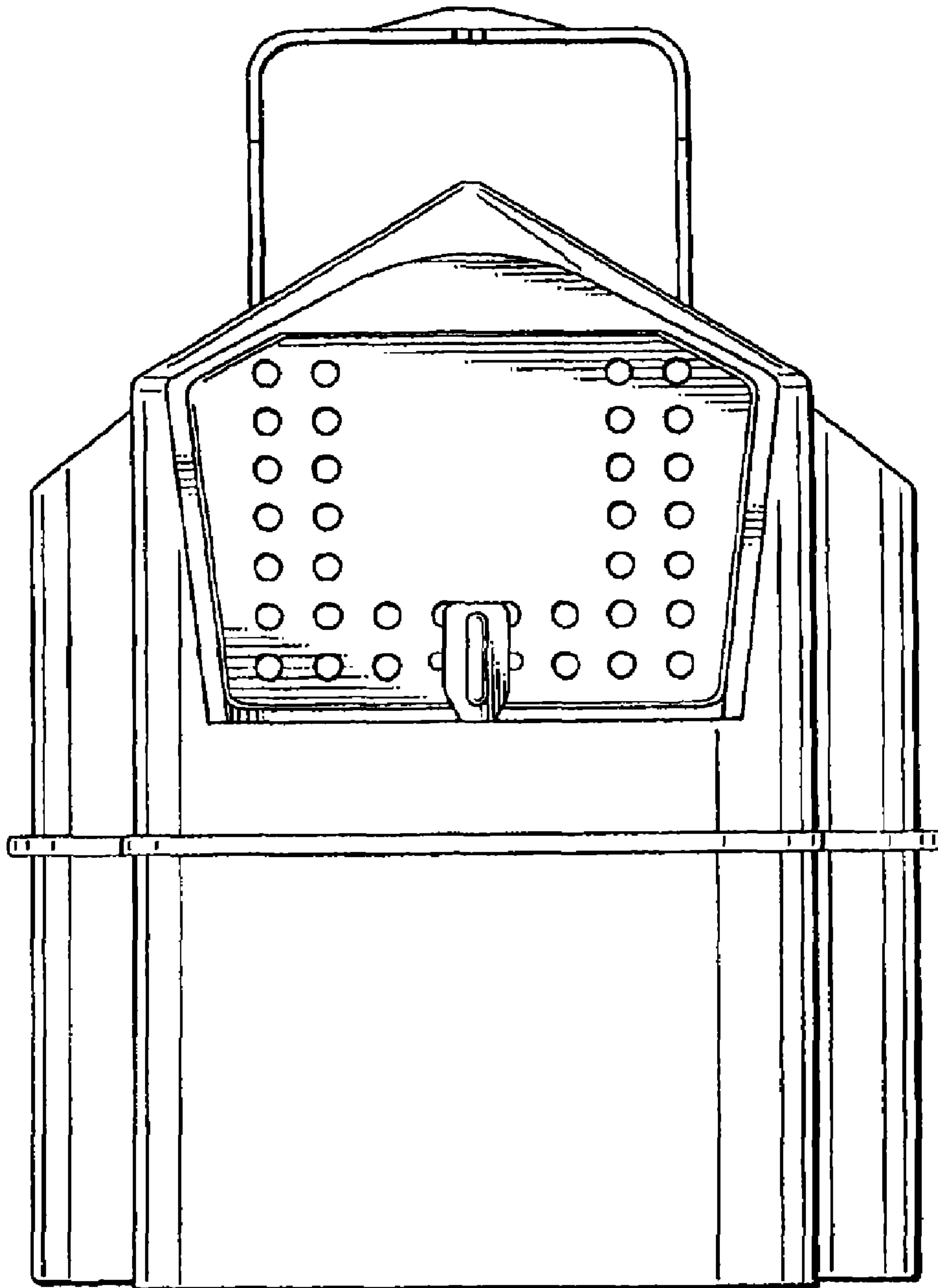
**1 Claim, 6 Drawing Sheets**



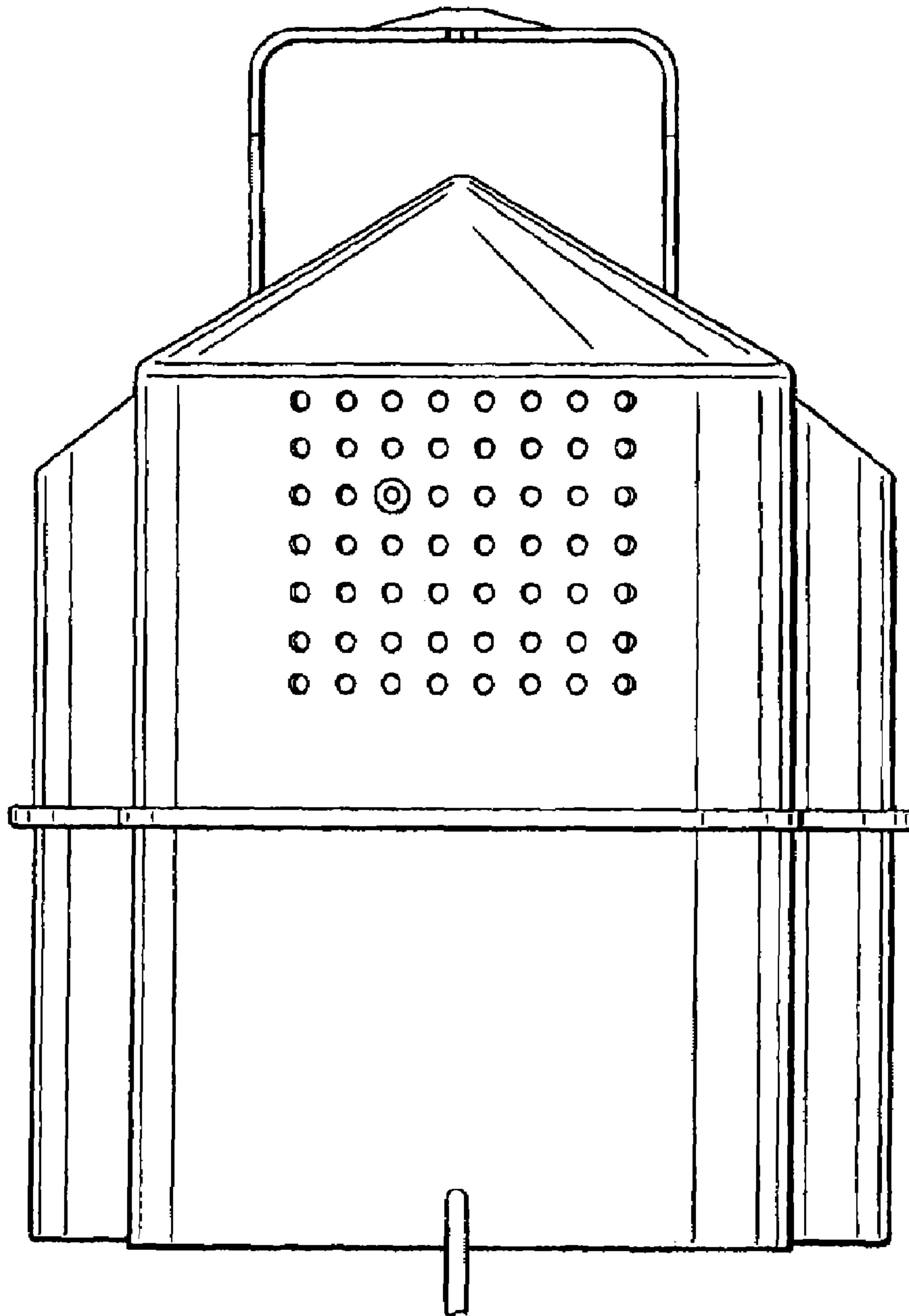
*Fig. 1*



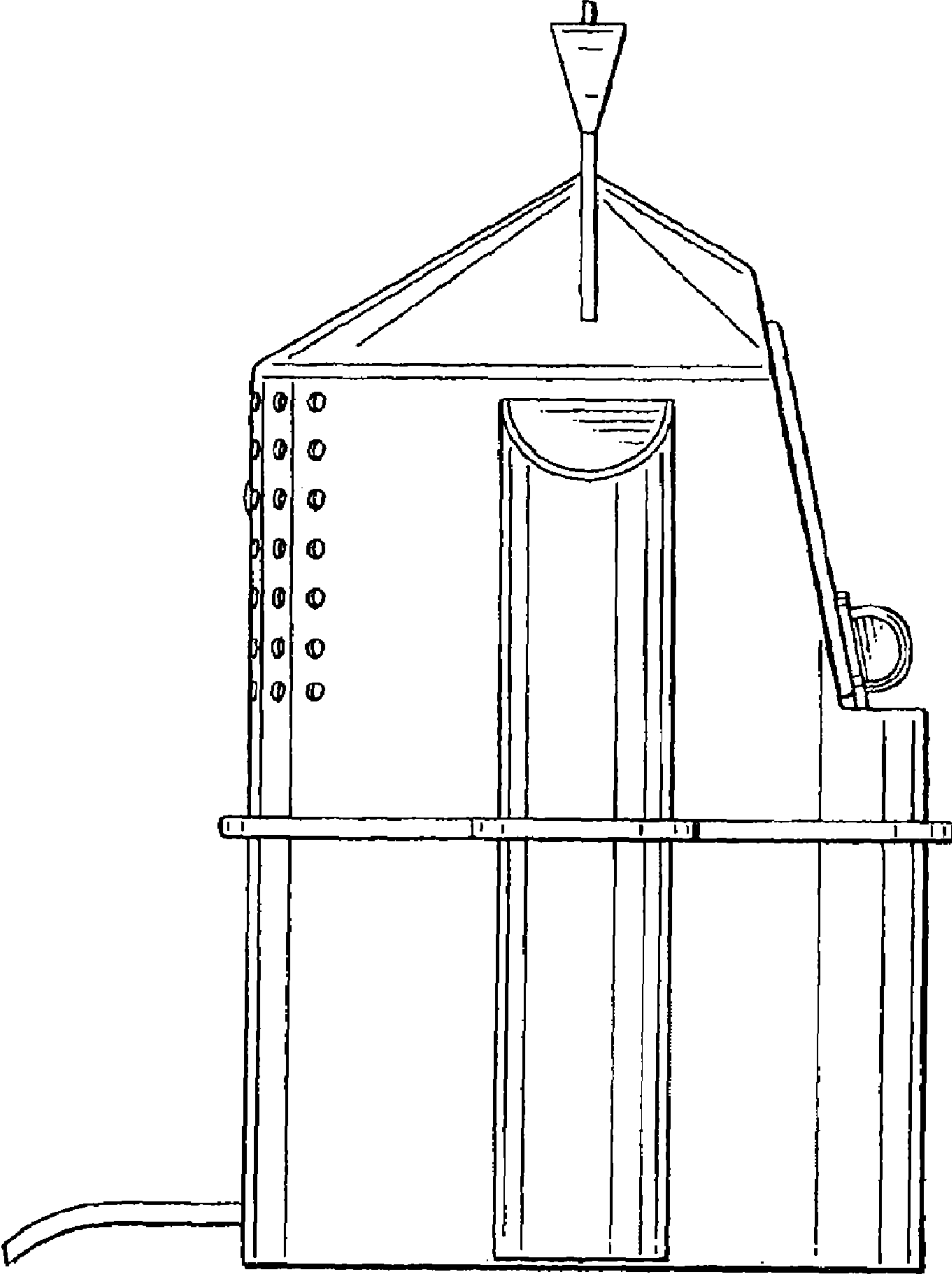
**Fig. 2**



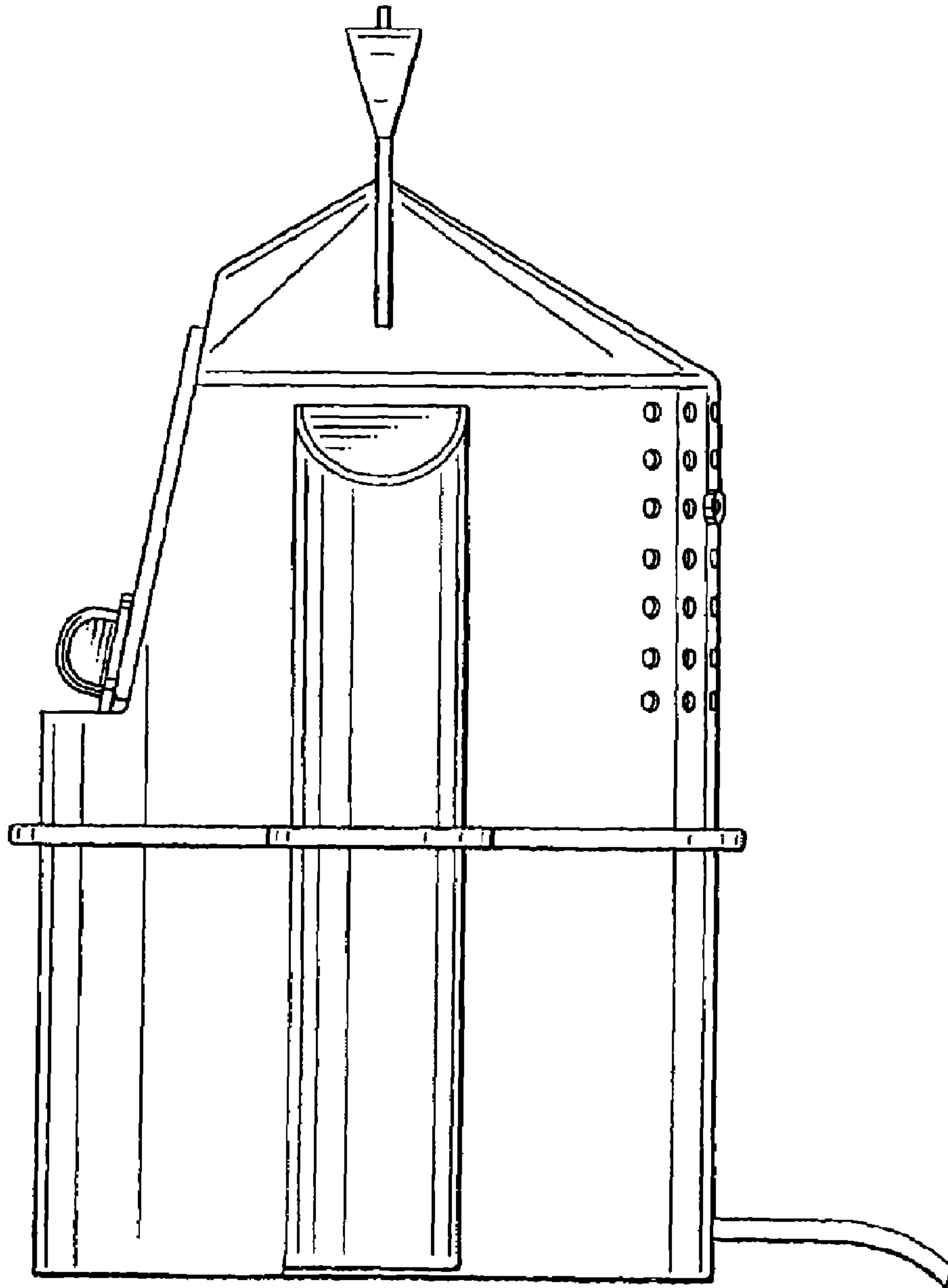
**Fig. 3**



**Fig. 4**

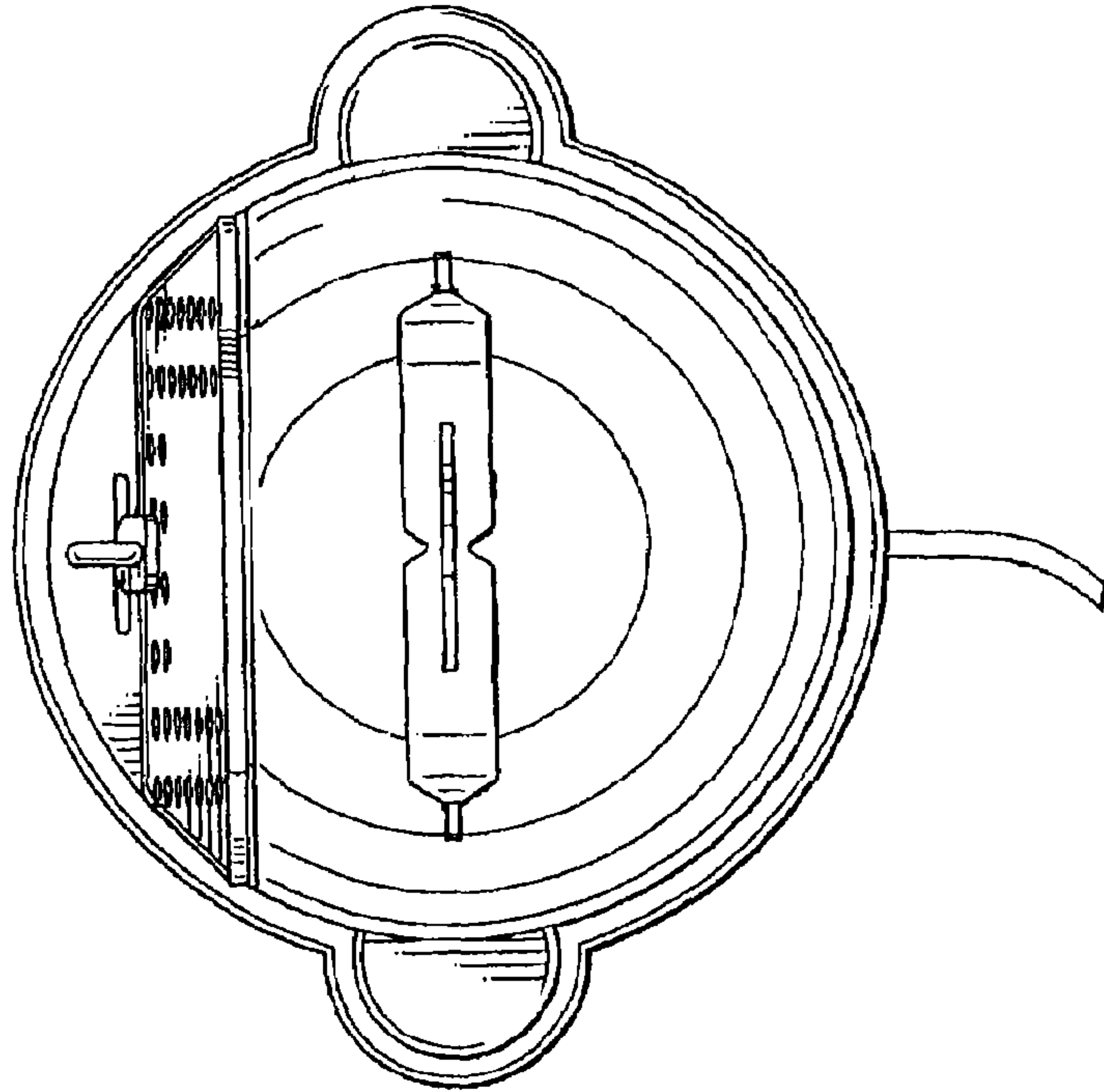


**Fig. 5**





**Fig. 6**



**Fig. 7**

