



US00D612964S

(12) **United States Design Patent**
Zhang et al.

(10) **Patent No.:** **US D612,964 S**
(45) **Date of Patent:** **** Mar. 30, 2010**

(54) **LED PEN LIGHT**

(75) Inventors: **Jonathan Zhang**, Sunnyvale, CA (US);
Brian Wei, San Jose, CA (US)

(73) Assignee: **IMG Lighting, Inc.**

(**) Term: **14 Years**

(21) Appl. No.: **29/338,207**

(22) Filed: **Jun. 6, 2009**

(51) **LOC (9) Cl.** **26-02**

(52) **U.S. Cl.** **D26/38**

(58) **Field of Classification Search** D26/37,
D26/38, 40, 72, 43, 44, 46, 49; 362/157,
362/158, 183, 184, 190, 191, 194-196, 198-208,
362/253; D19/81, 84; D14/411

See application file for complete search history.

(56) **References Cited**

U.S. PATENT DOCUMENTS

D181,114 S	*	10/1957	Turner	D19/36
D330,393 S	*	10/1992	Grant et al.	D21/304
D471,585 S	*	3/2003	Man	D19/36
D531,334 S	*	10/2006	Lin	D26/37
D547,799 S	*	7/2007	Granick	D19/36
D568,402 S	*	5/2008	Mori	D19/84

* cited by examiner

Primary Examiner—Ian Simmons

Assistant Examiner—Carissa C Fitts

(74) *Attorney, Agent, or Firm*—Michael D. Eisenberg

(57) **CLAIM**

The ornamental design for a LED pen light, as shown and described.

DESCRIPTION

FIG. 1 is a top view of a LED pen light;

FIG. 2 is a right side view of the LED pen light;

FIG. 3 is a front view of the LED pen light;

FIG. 4 is a left side view of the LED pen light;

FIG. 5 is a back view of the LED pen light;

FIG. 6 is top view of the LED pen light with one the pen's upper middle segments rotated and the pen pivoted where it connects to the base;

FIG. 7 is a right side view of the LED pen light positioned as in FIG. 6;

FIG. 8 is a front view of the LED pen light positioned as in FIG. 6;

FIG. 9 is a left side view of the LED pen light positioned as in FIG. 6;

FIG. 10 is a back view of the LED pen light positioned as in FIG. 6;

FIG. 11 is top view of the LED pen light with another one the pen's lower middle segments rotated and the pen pivoted where it connects to the base;

FIG. 12 is a perspective view of the right side of the LED pen light positioned as in FIG. 11;

FIG. 13 is a front view of the LED pen light positioned as in FIG. 11;

FIG. 14 is a left side view of the LED pen light positioned as in FIG. 11;

FIG. 15 is a back view of the LED pen light positioned as in FIG. 11; and,

FIG. 16 a bottom view of the LED pen light positioned as in FIG. 11.

1 Claim, 16 Drawing Sheets

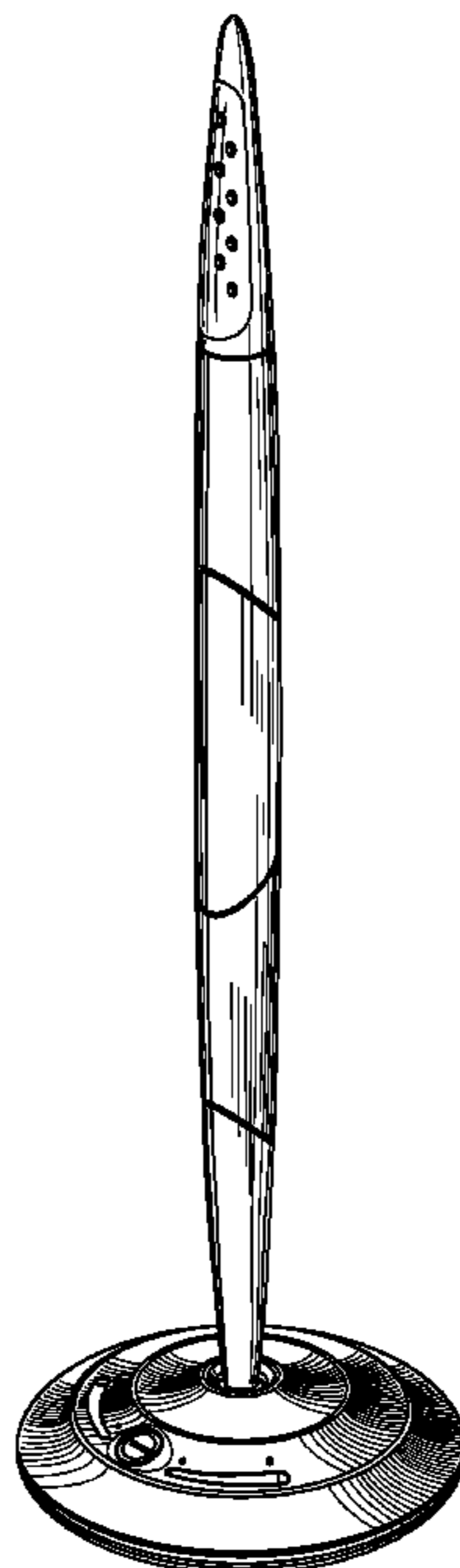


FIG. 1

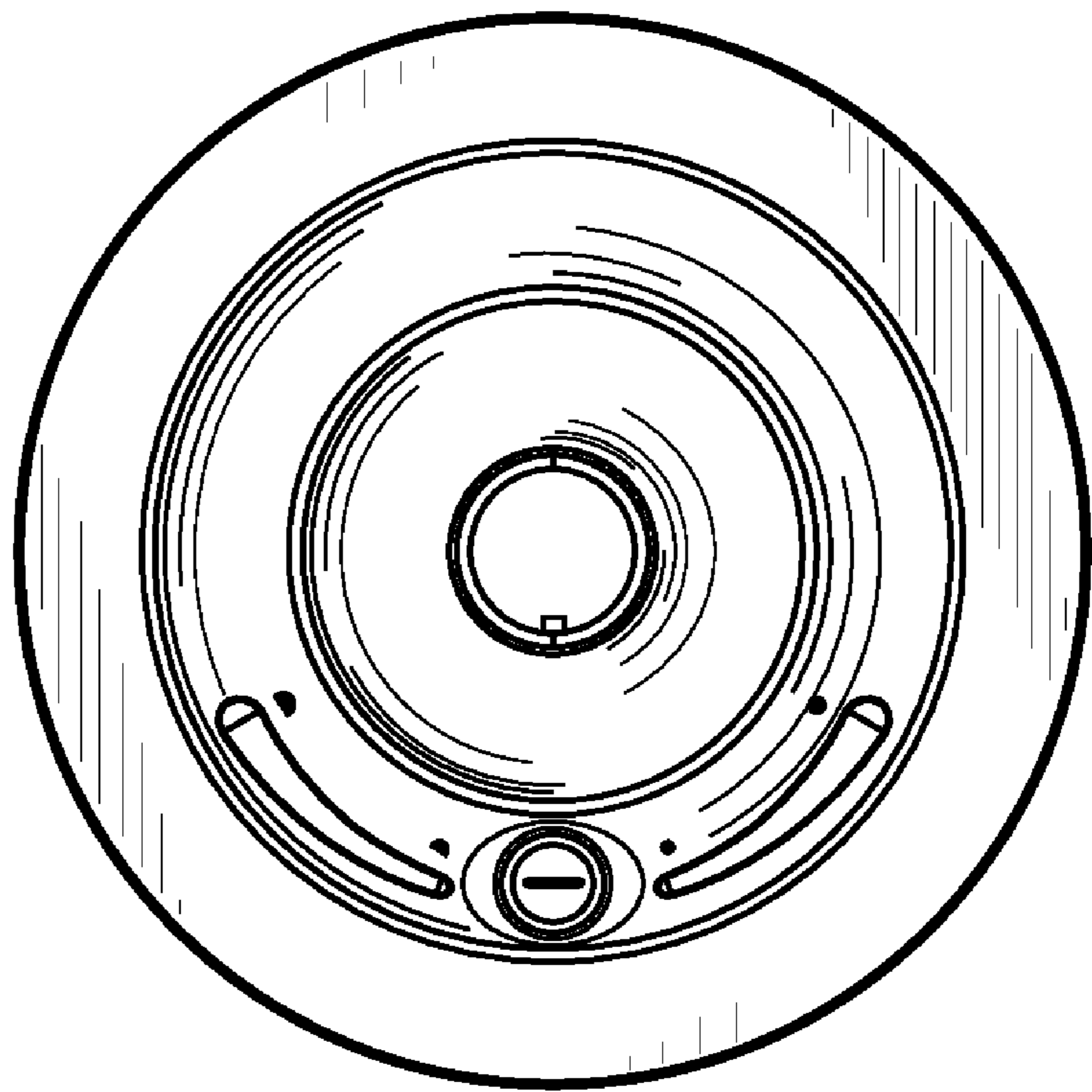


FIG. 2

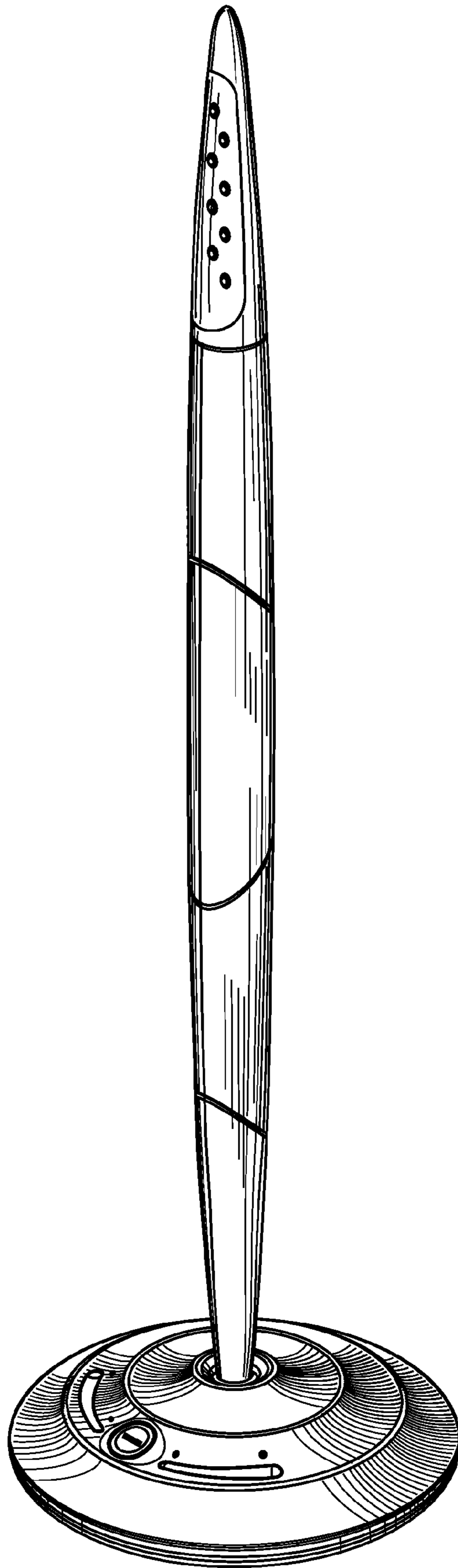


FIG. 3

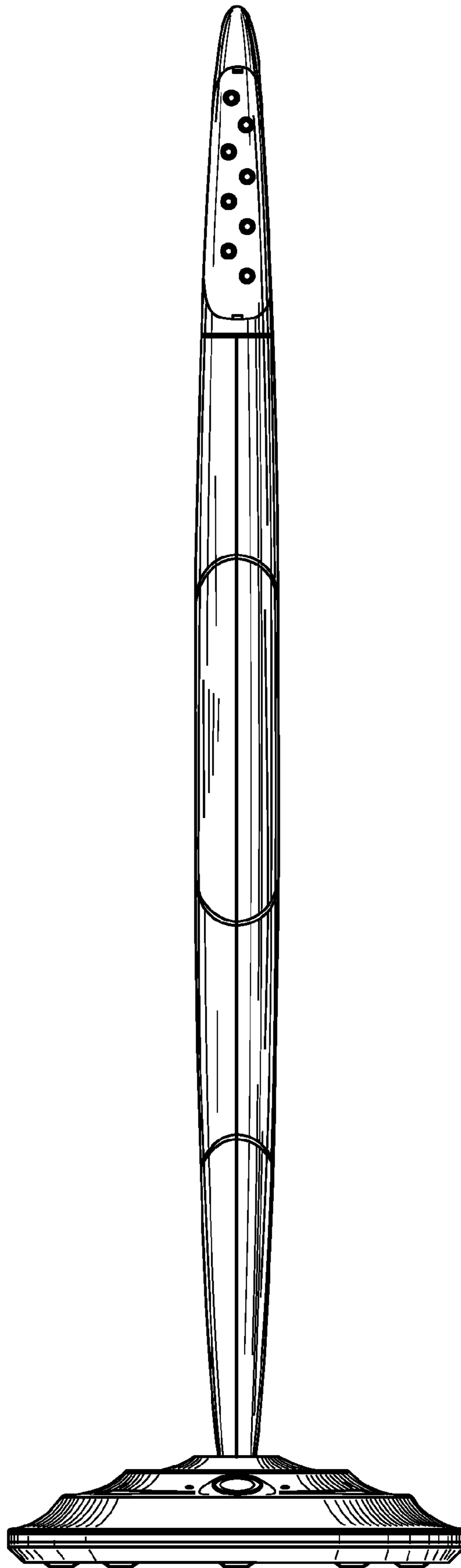


FIG.4

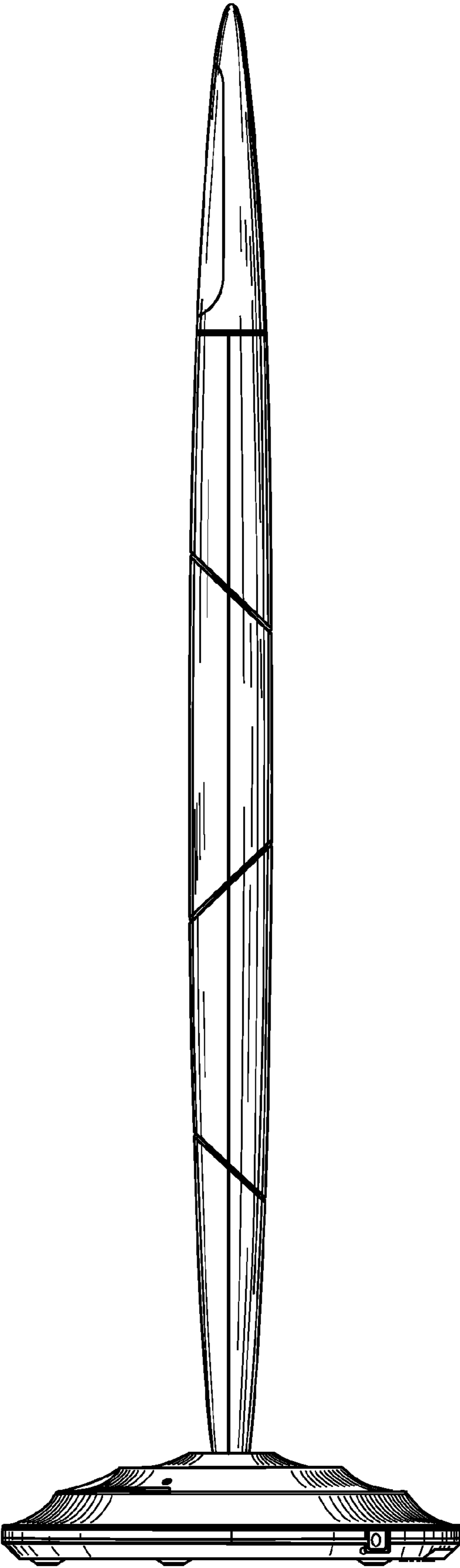


FIG. 5

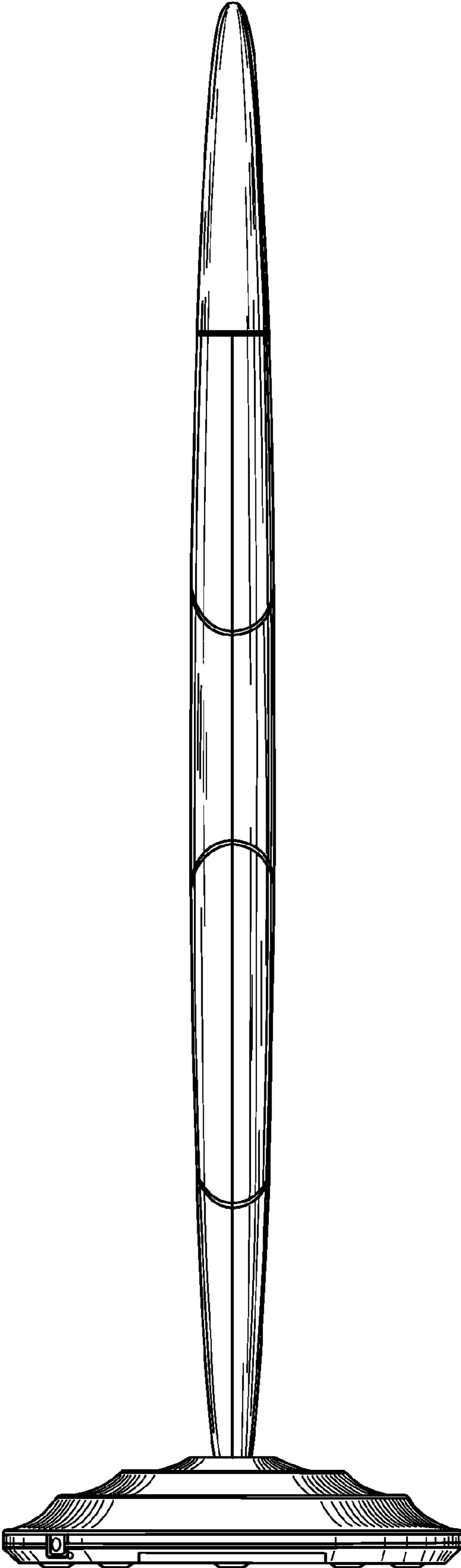


FIG. 6

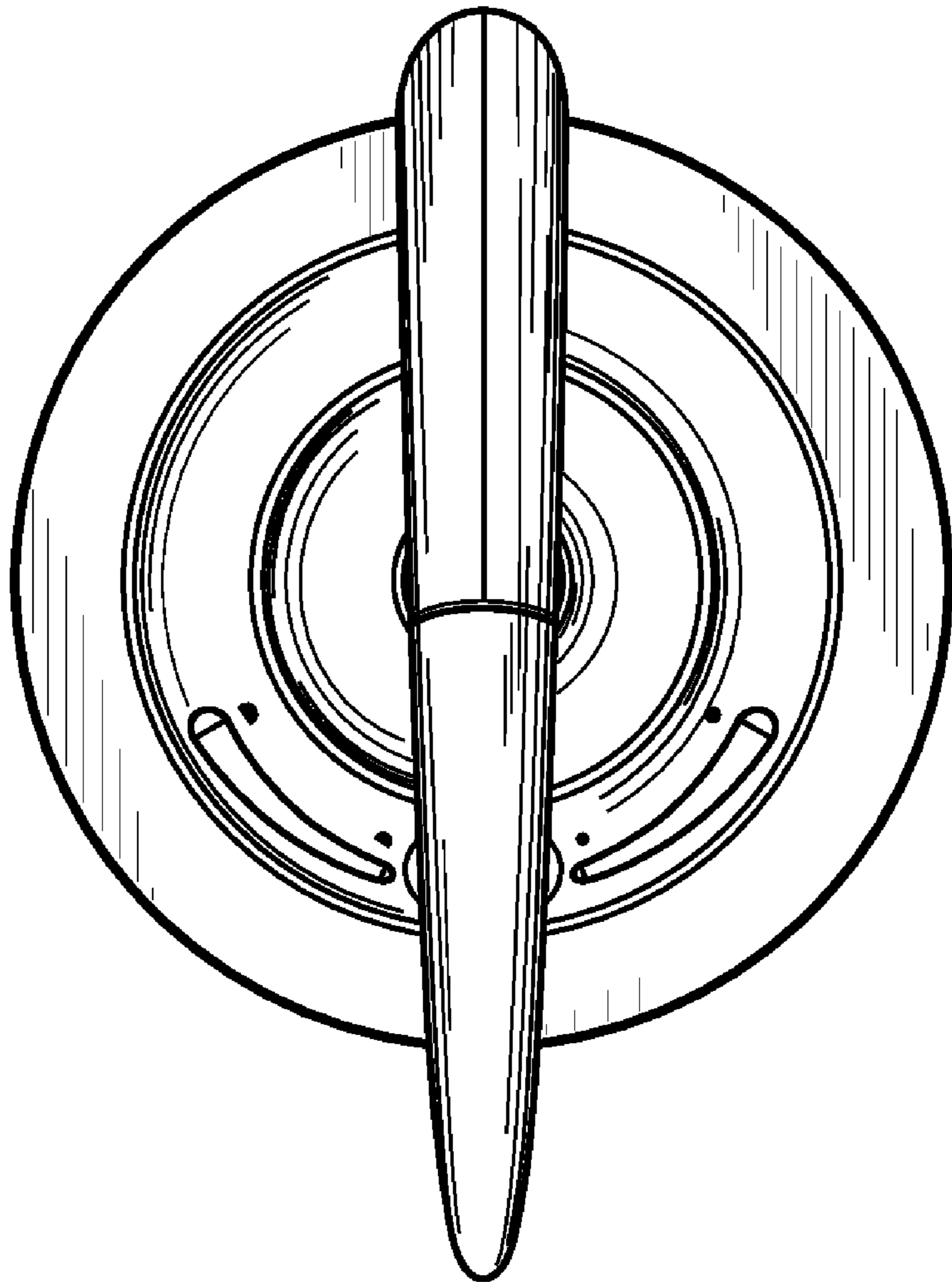


FIG. 7

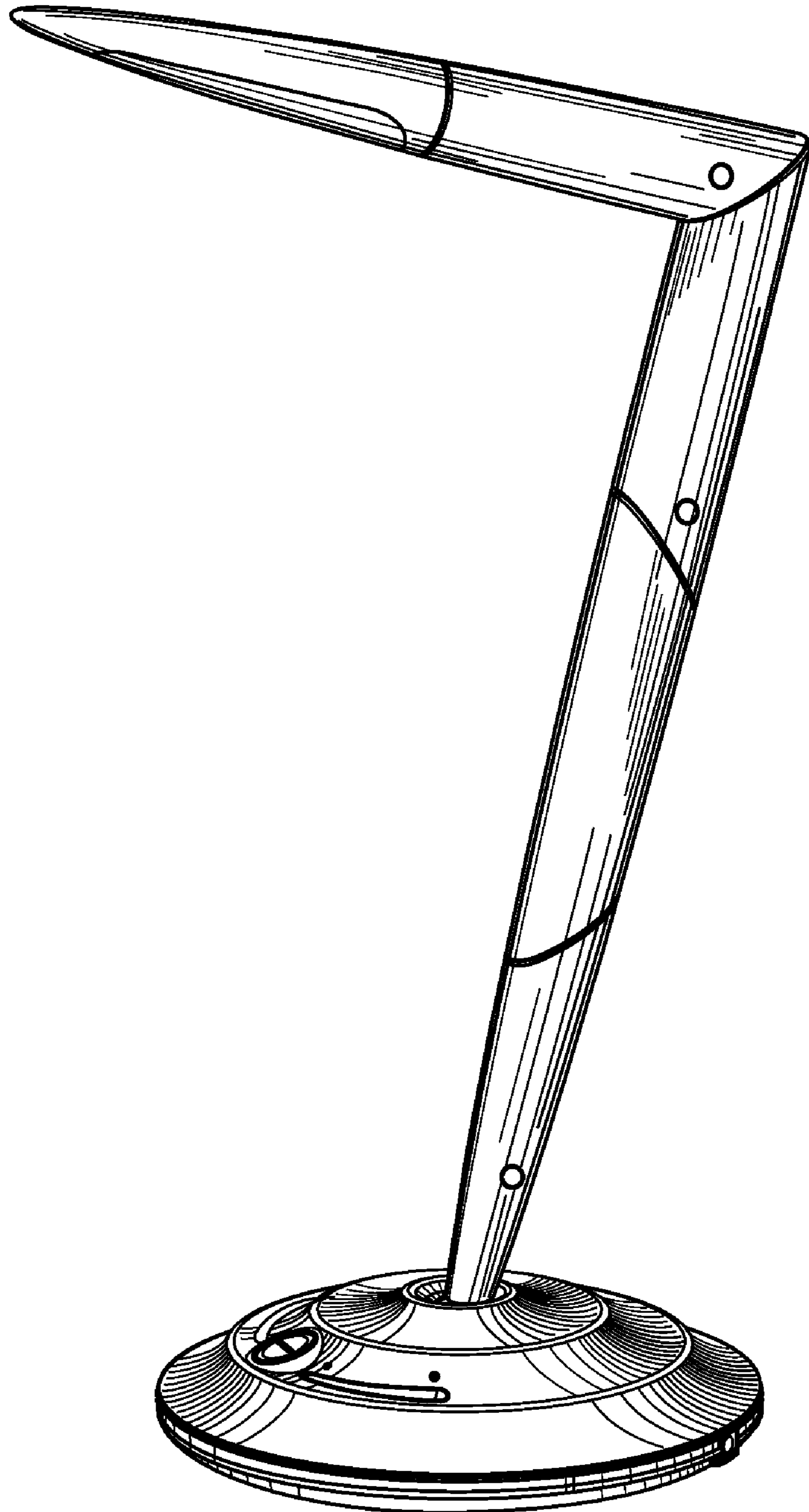


FIG. 8

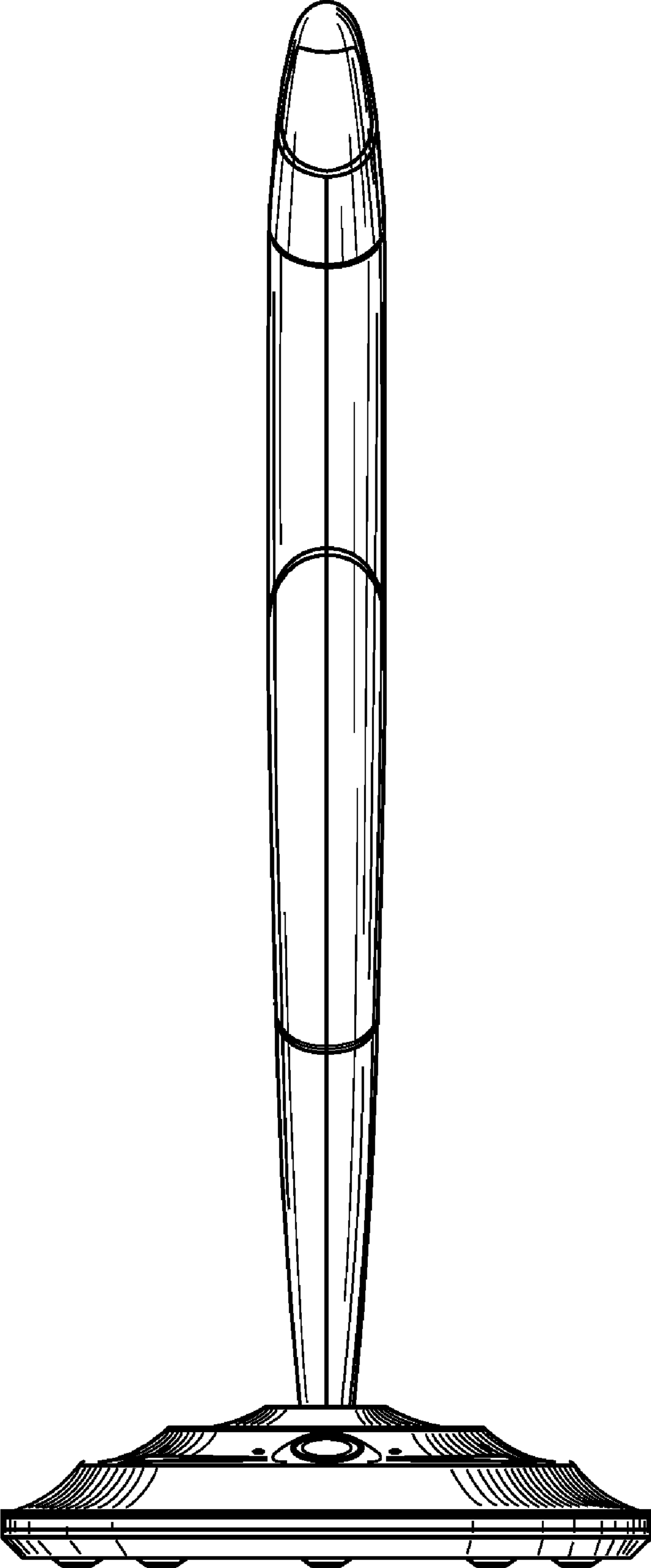


FIG. 9

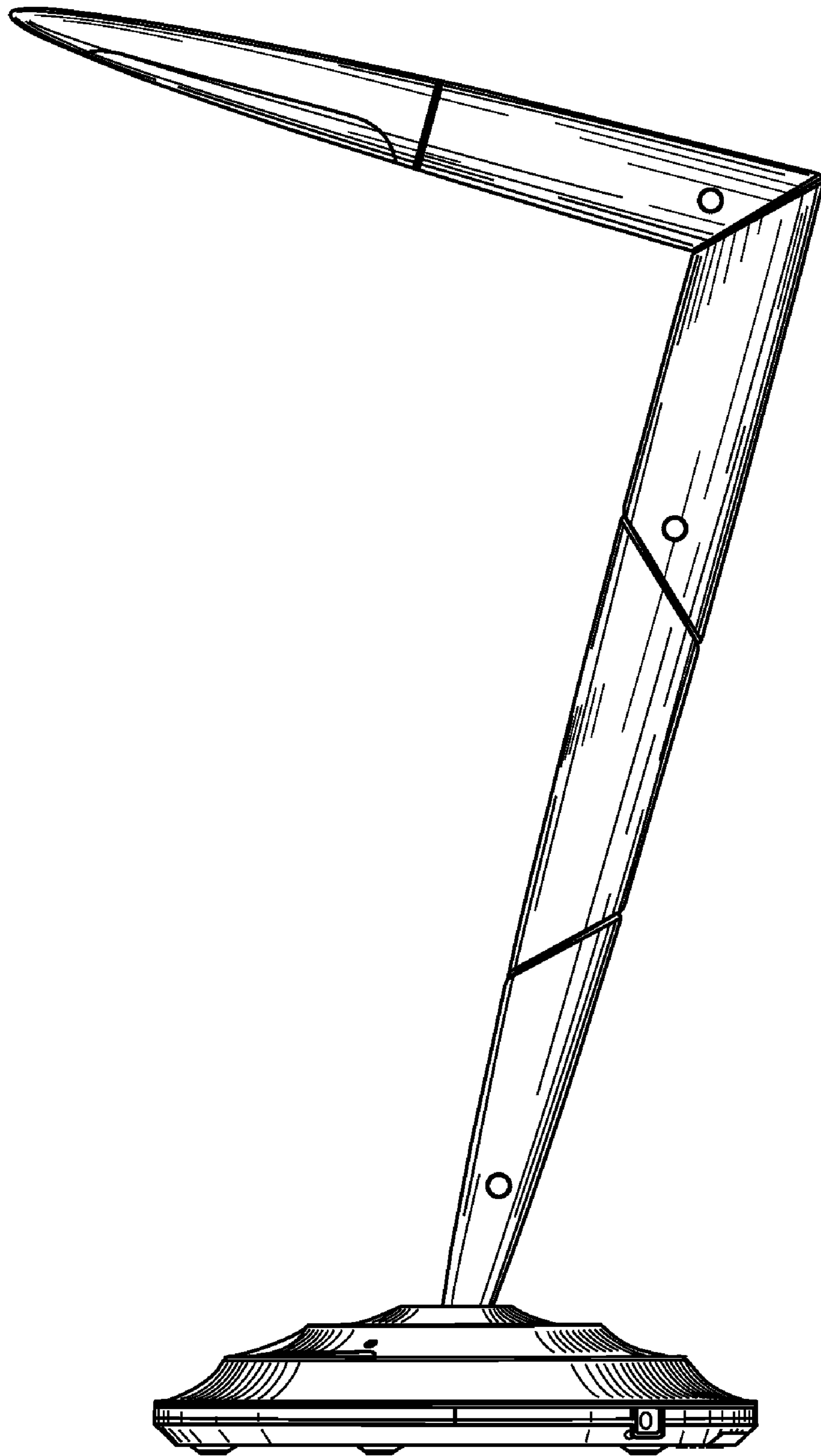


FIG. 10

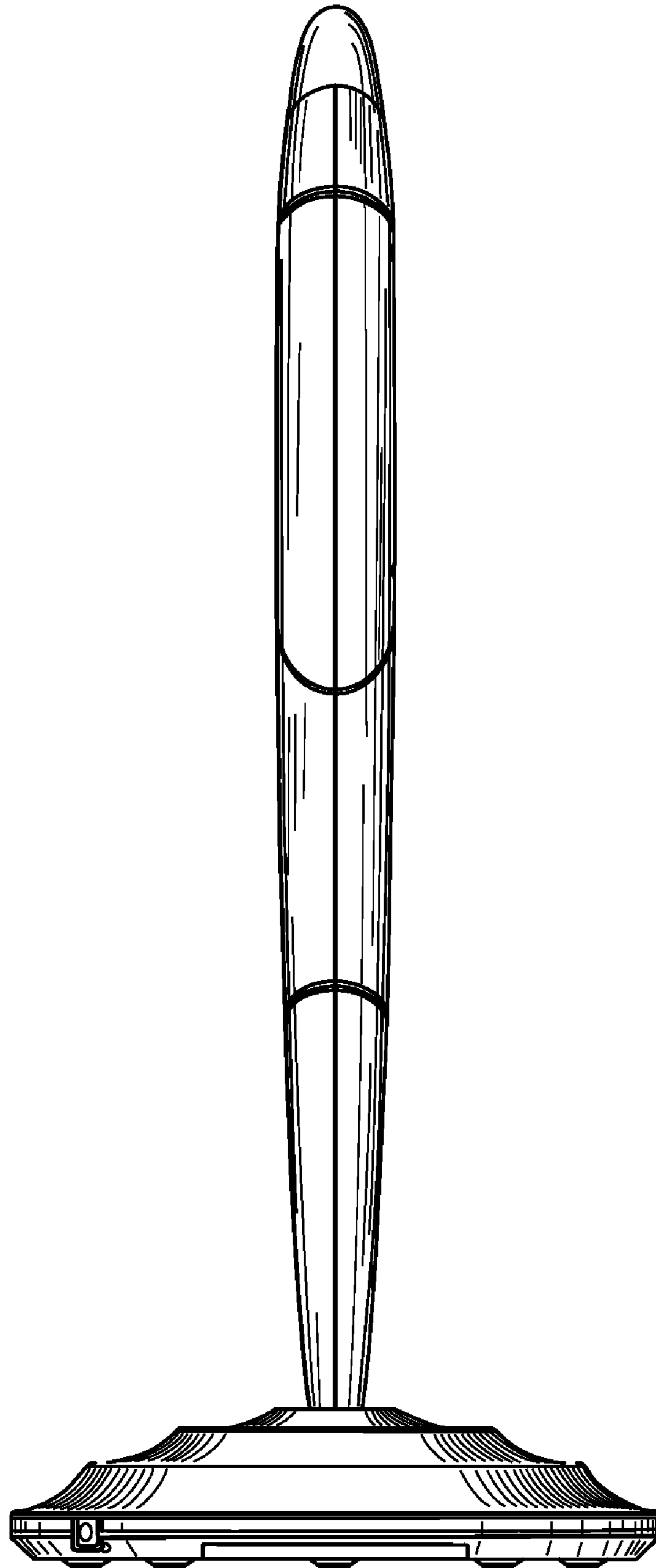


FIG. 11

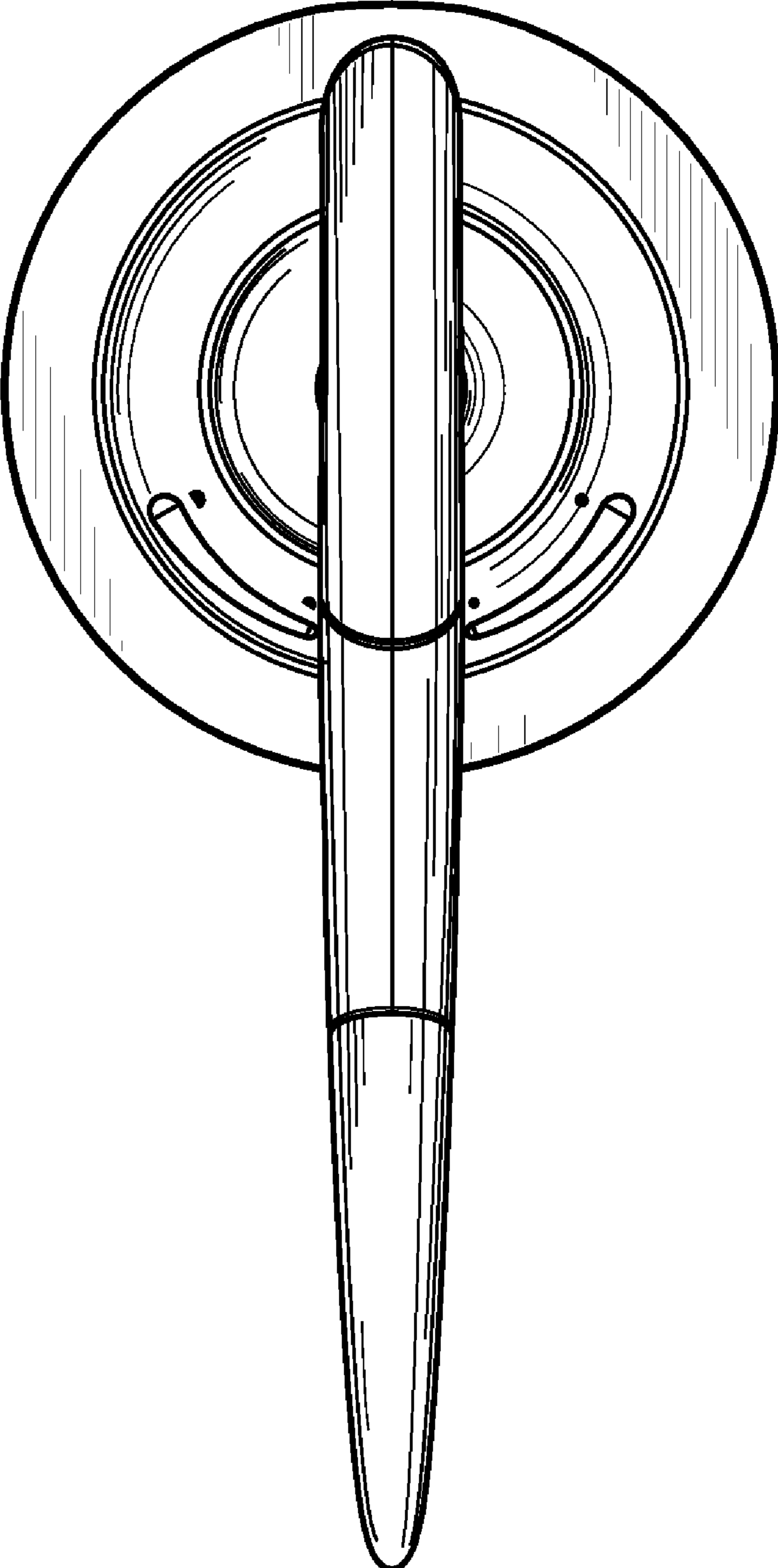


FIG.12

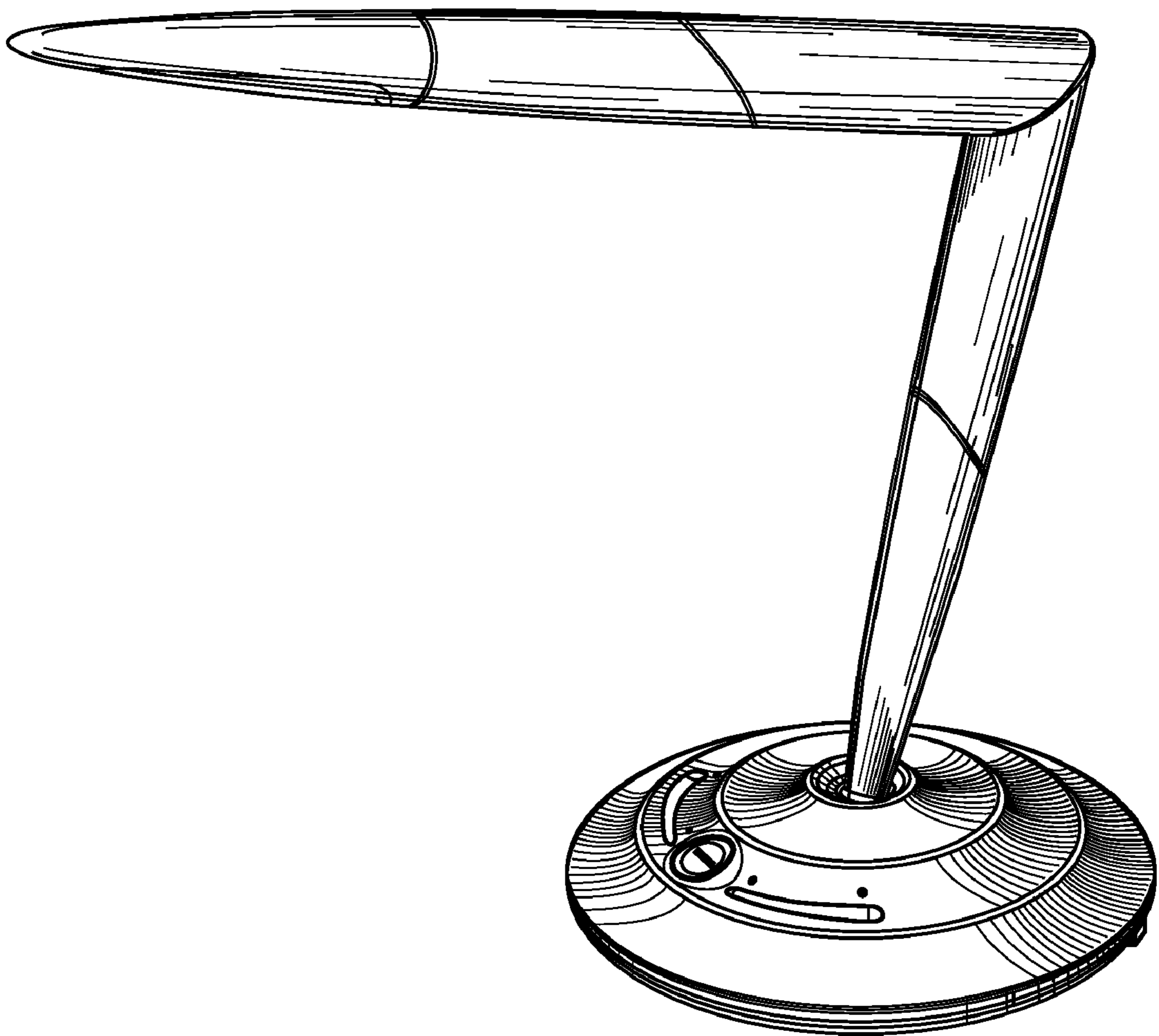


FIG. 13

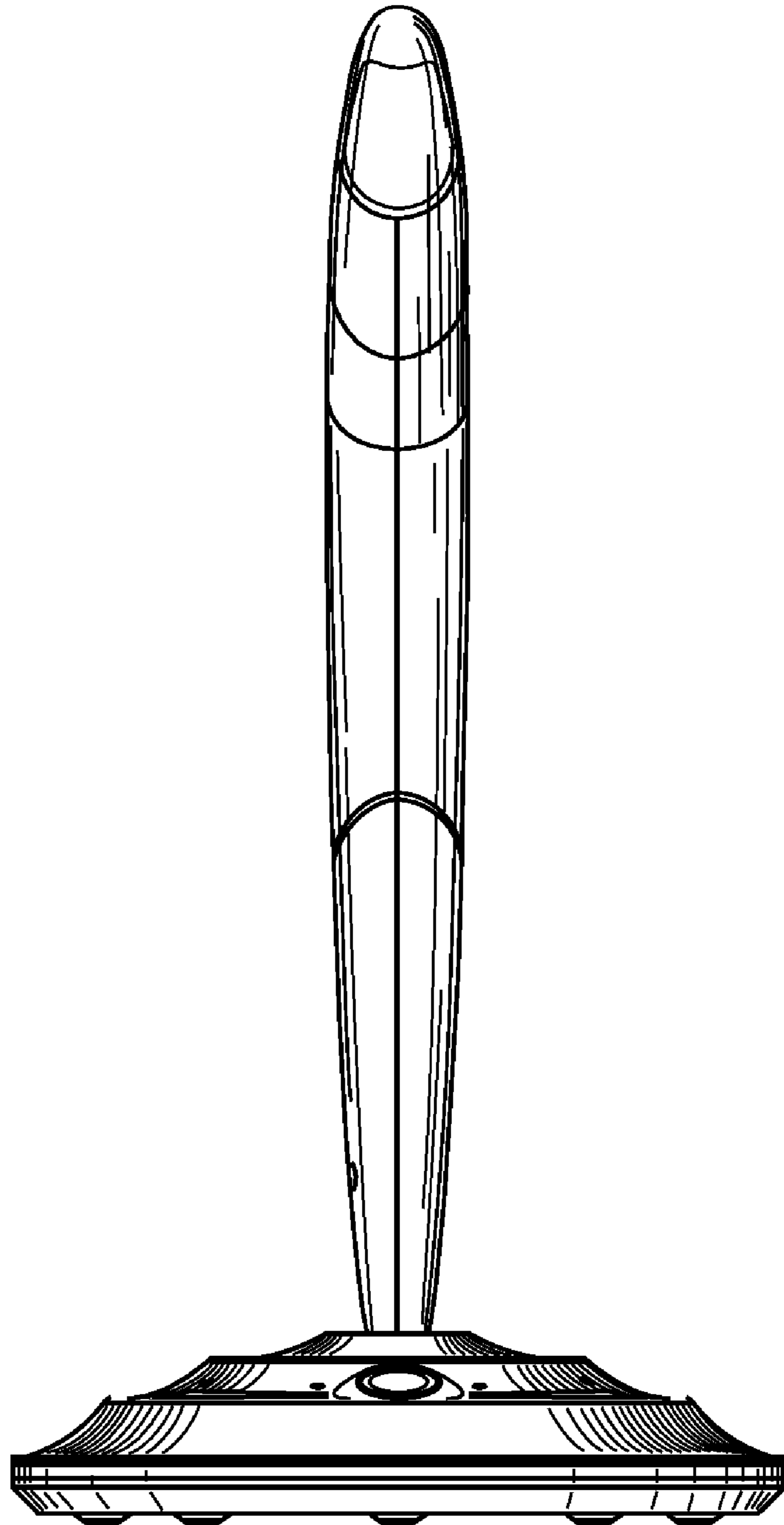


FIG.14

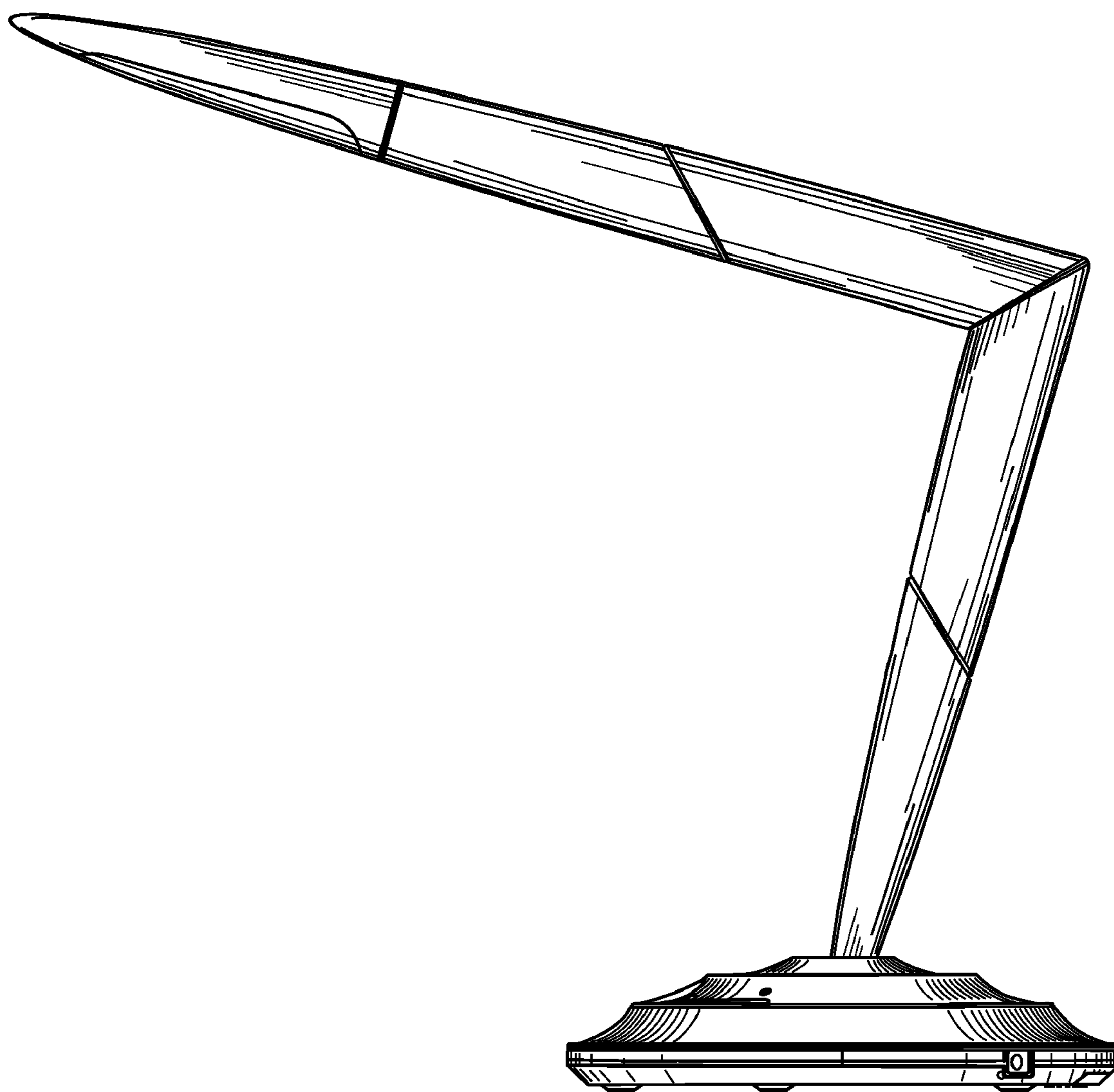


FIG. 15

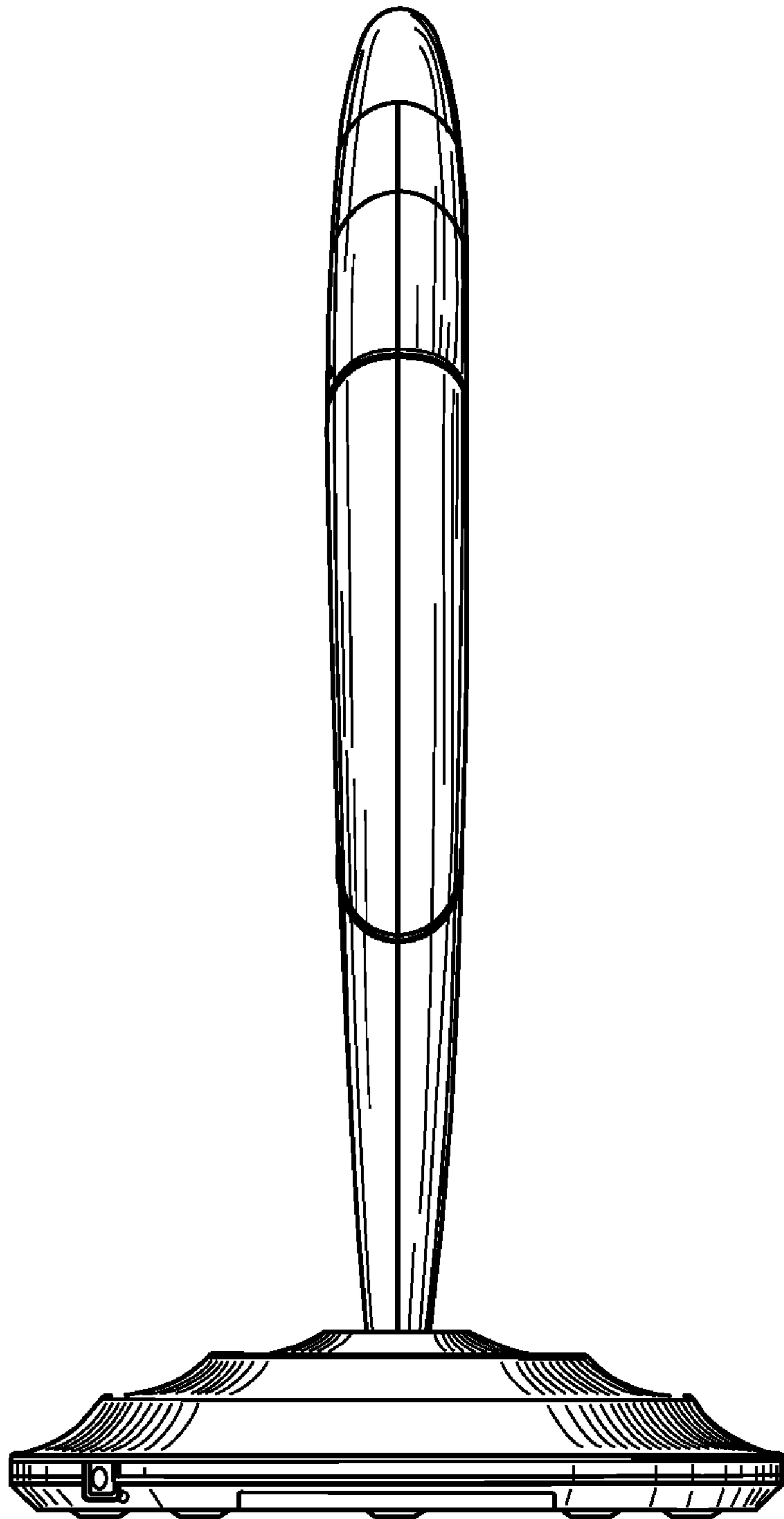


FIG. 16

