



US00D612963S

(12) **United States Design Patent**  
**Oki et al.**

(10) **Patent No.:** **US D612,963 S**  
(45) **Date of Patent:** **\*\* Mar. 30, 2010**

- (54) **PORTABLE MARKER LIGHT**
- (75) Inventors: **Yasunori Oki**, Hyogo (JP); **Takao Tanabe**, Hyogo (JP)
- (73) Assignee: **ShinMaywa Industries, Ltd.**, Hyogo (JP)
- (\*\*) Term: **14 Years**
- (21) Appl. No.: **29/334,574**
- (22) Filed: **Mar. 27, 2009**
- (30) **Foreign Application Priority Data**  
Sep. 30, 2008 (JP) ..... 2008-025092
- (51) **LOC (9) Cl.** ..... **26-02**
- (52) **U.S. Cl.** ..... **D26/37**
- (58) **Field of Classification Search** ..... D26/37,  
D26/38, 40, 41, 51; 362/157, 158, 183, 190-208  
See application file for complete search history.

- D542,440 S \* 5/2007 Krieger et al. .... D26/26
- D542,453 S \* 5/2007 Osiecki et al. .... D26/60
- D577,836 S \* 9/2008 Engebrihtsen ..... D26/24
- D578,686 S \* 10/2008 Dalton ..... D26/37
- D593,238 S \* 5/2009 Allen ..... D26/37

**FOREIGN PATENT DOCUMENTS**

- JP 1099681 S 2/2001
- JP 1333538 S 6/2008

\* cited by examiner

*Primary Examiner*—Ian Simmons  
*Assistant Examiner*—Carissa C Fitts

(74) *Attorney, Agent, or Firm*—Roberts Mlotkowski Safran & Cole, P.C.; Thomas W. Cole

(57) **CLAIM**

The ornamental design for a portable marker light, as shown and described.

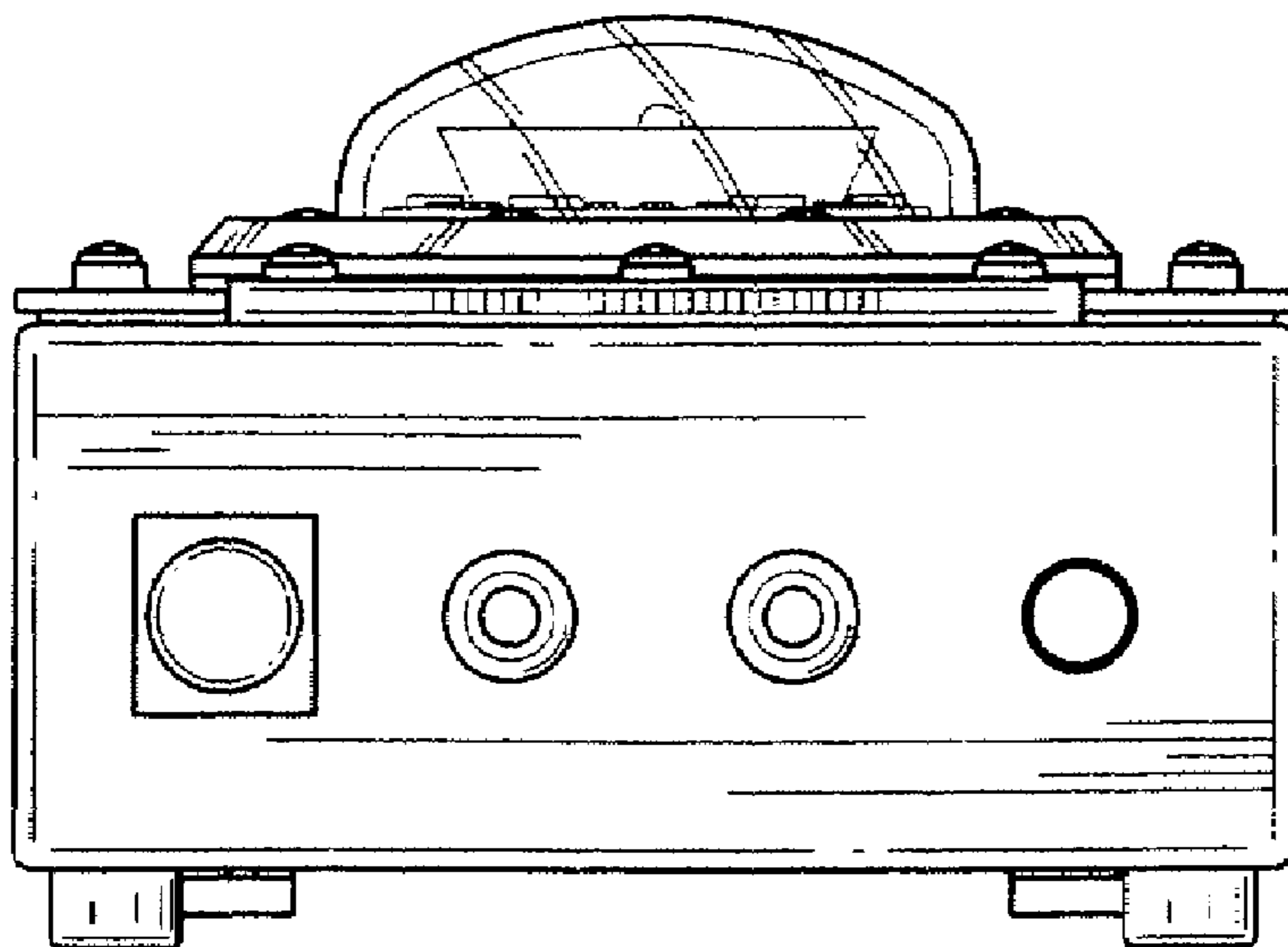
**DESCRIPTION**

- FIG. 1 is the portable marker light viewed from front.
- FIG. 2 is the portable marker light viewed from above.
- FIG. 3 is the portable marker light viewed from right.
- FIG. 4 is the portable marker light viewed from left.
- FIG. 5 is the portable marker light viewed from back; and,
- FIG. 6 is the portable marker light viewed from below.

**1 Claim, 3 Drawing Sheets**

(56) **References Cited**  
U.S. PATENT DOCUMENTS

- D285,911 S \* 9/1986 Yuen ..... D10/114
- D377,988 S \* 2/1997 Brain et al. .... D26/37
- D403,093 S \* 12/1998 Tseng ..... D26/38
- D422,726 S \* 4/2000 Ford et al. .... D26/37
- D439,351 S \* 3/2001 Kiba et al. .... D26/37
- D455,854 S \* 4/2002 Smith ..... D26/37
- D468,037 S \* 12/2002 Jarvis ..... D26/37



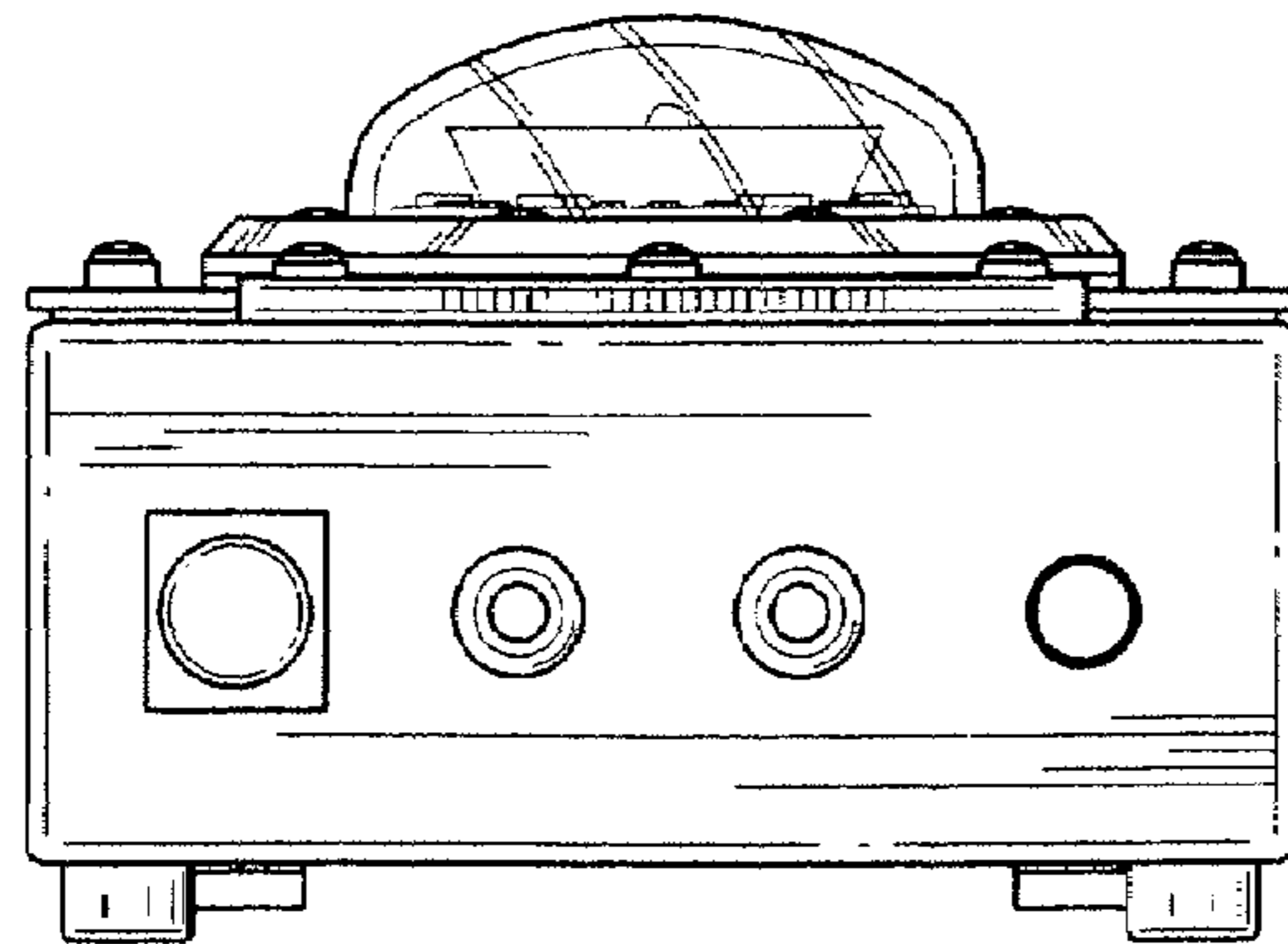


FIG. 1

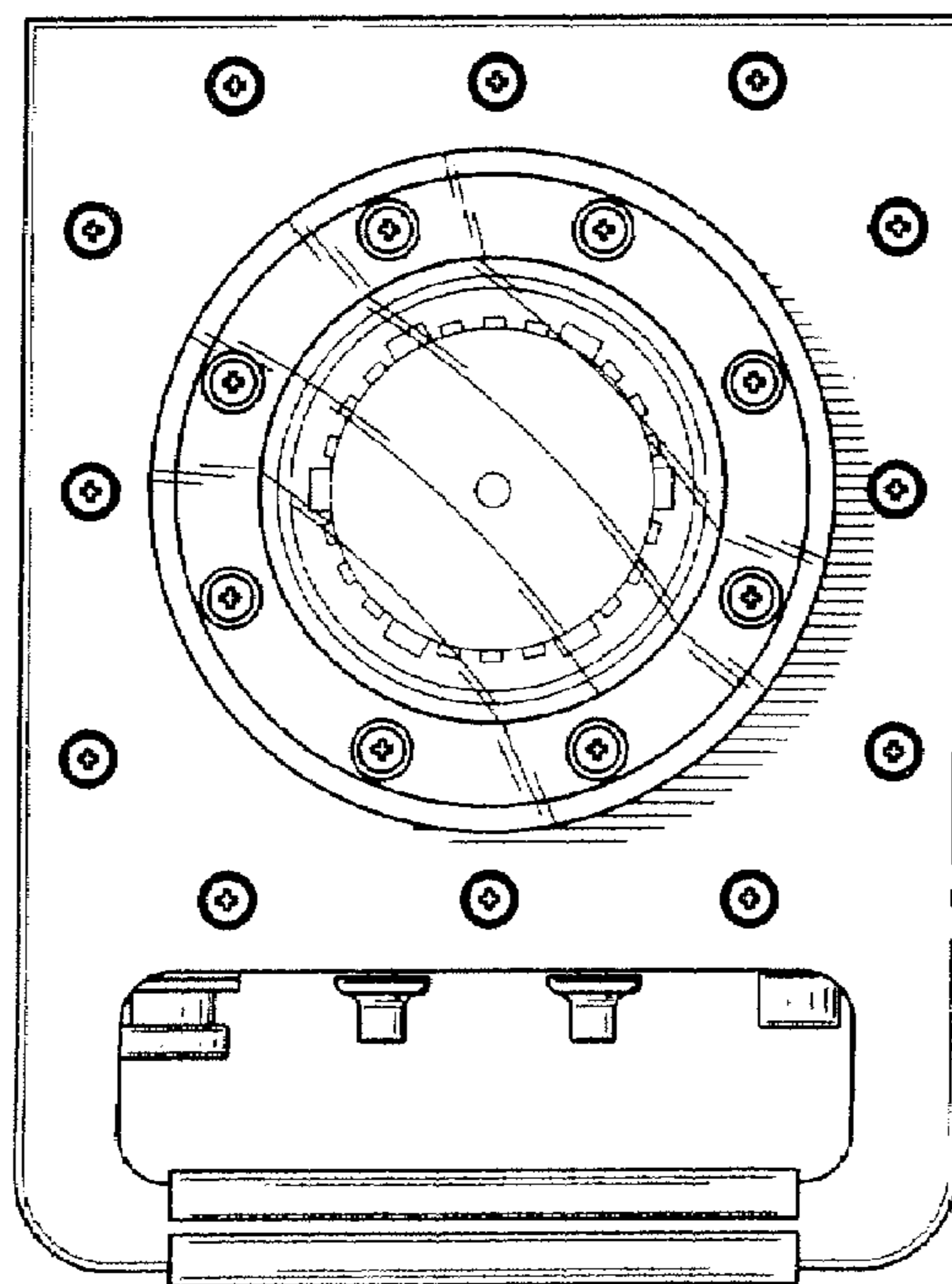


FIG. 2

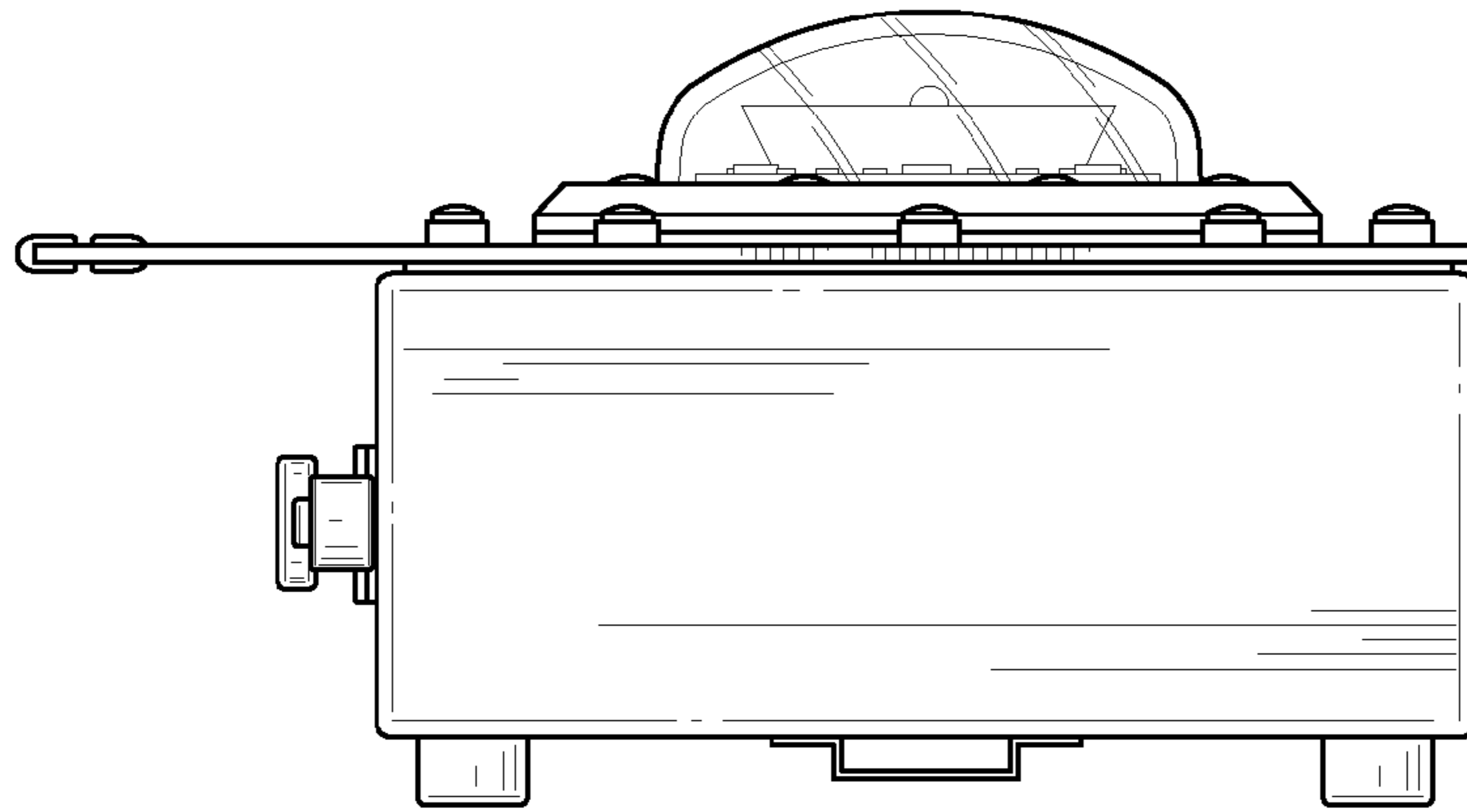


FIG. 3

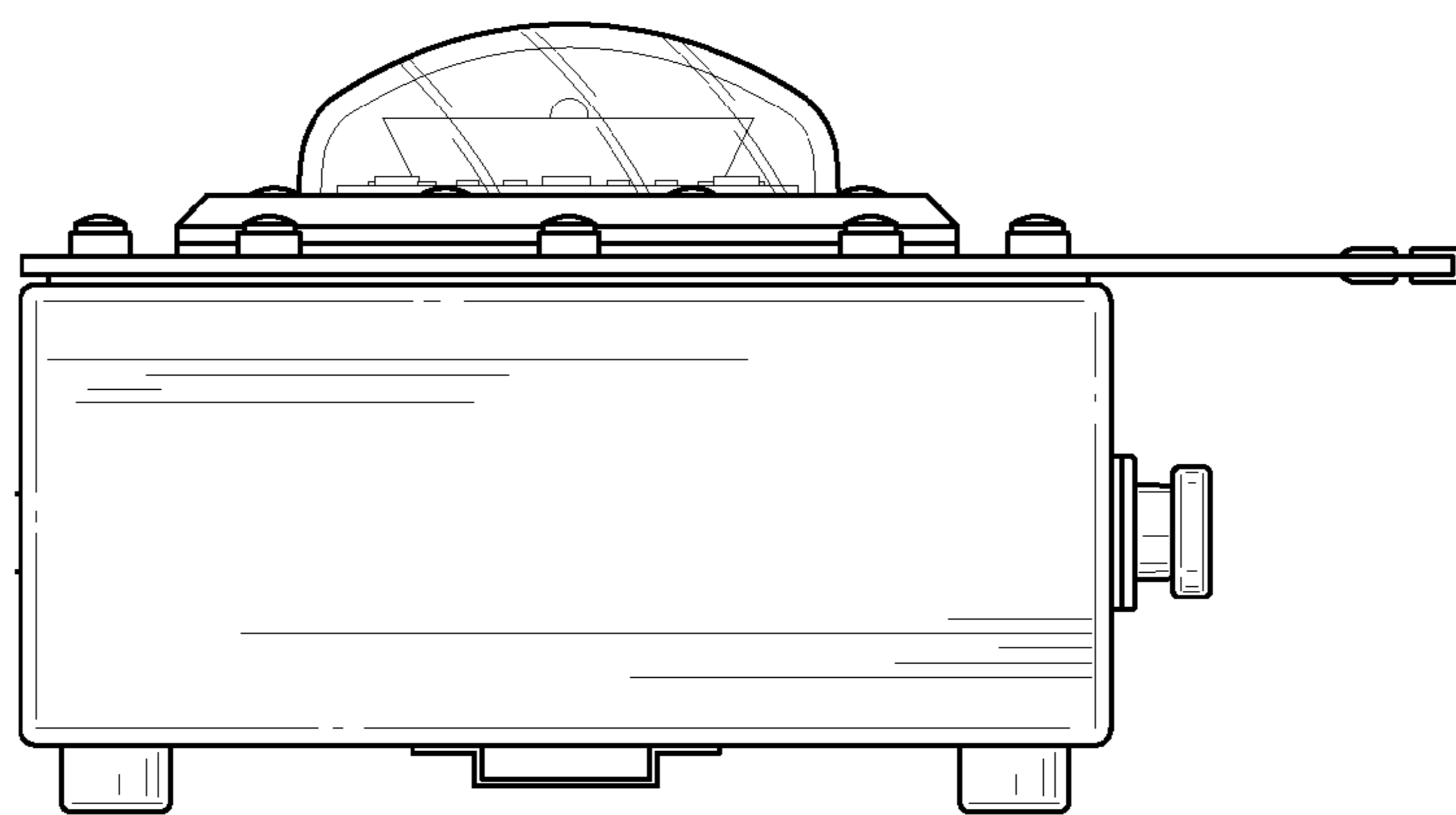


FIG. 4

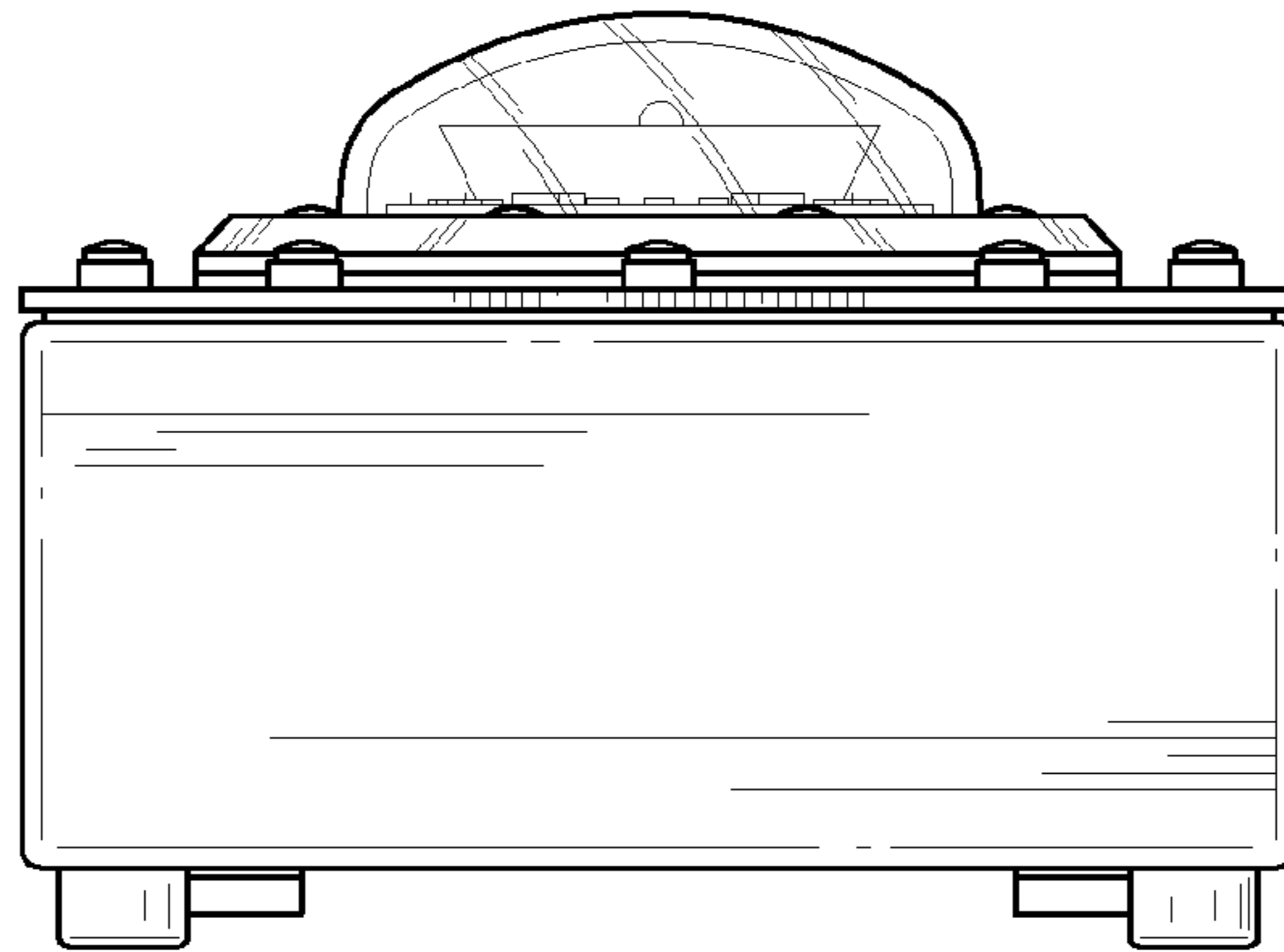


FIG. 5

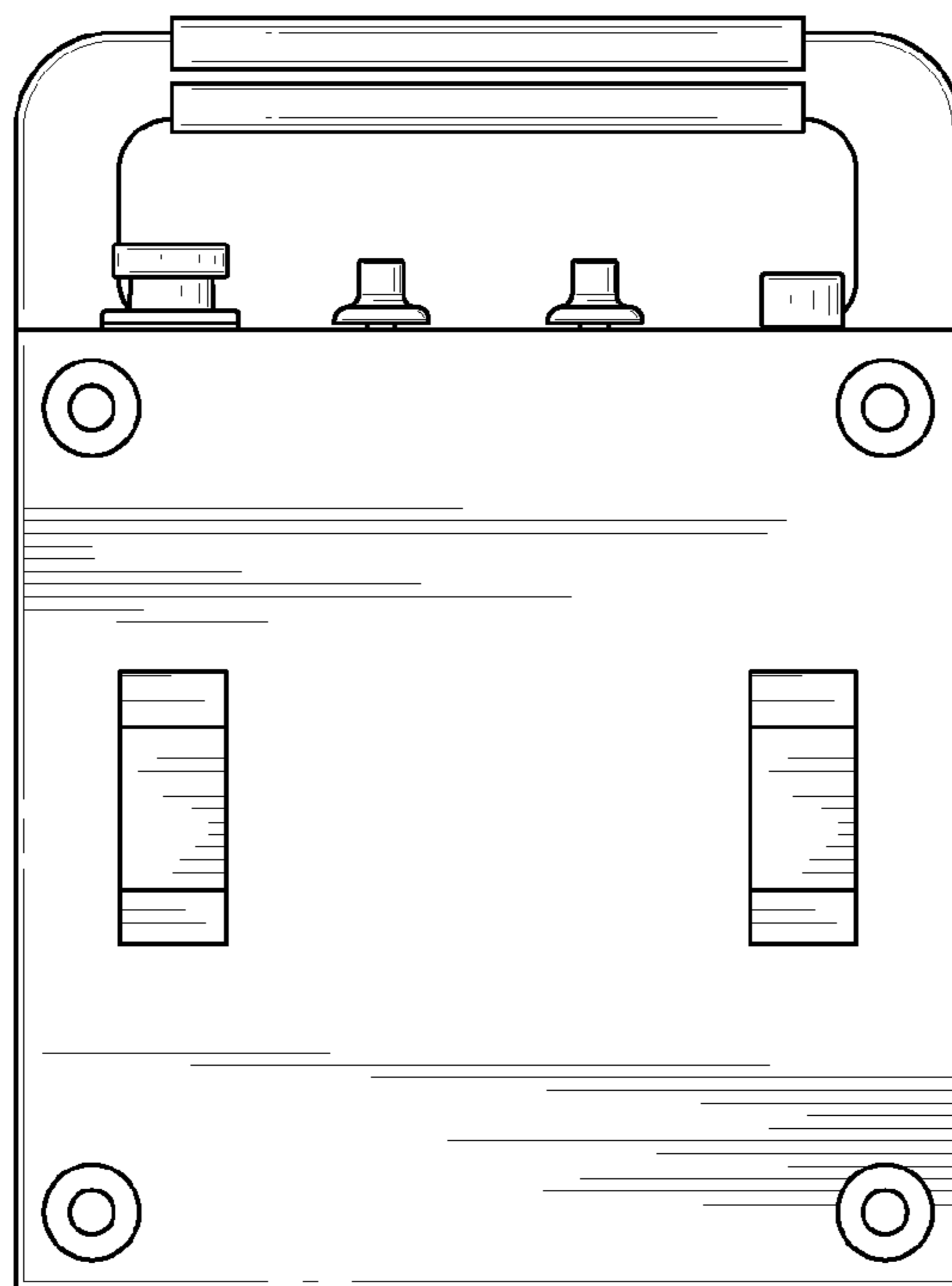


FIG. 6