



US00D612962S

(12) **United States Design Patent**
Marville

(10) **Patent No.:** **US D612,962 S**
(45) **Date of Patent:** **** Mar. 30, 2010**

(54) **LUMINAIRE**

(75) Inventor: **Christian Marville**, Xhoffraix (BE)

(73) Assignee: **Schreder S.A.**, Brussels (BE)

(**) Term: **14 Years**

(21) Appl. No.: **29/308,724**

(22) Filed: **Jul. 2, 2008**

(30) **Foreign Application Priority Data**

Jan. 2, 2008 (EM) 000852280-0001

(51) **LOC (9) Cl.** **26-02**

(52) **U.S. Cl.** **D26/37**

(58) **Field of Classification Search** D26/37,
D26/38, 39, 40, 46, 51; 362/190–208, 157,
362/158, 183

See application file for complete search history.

(56) **References Cited**

U.S. PATENT DOCUMENTS

D229,089 S *	11/1973	Boucher	D26/37
D233,908 S *	12/1974	Brindley	D26/37
D359,370 S *	6/1995	Tabor	D26/37
D362,735 S *	9/1995	Hiomori	D26/37
D433,401 S *	11/2000	Chan	D14/168
D438,313 S *	2/2001	Tam	D26/37
D454,405 S *	3/2002	Lau	D26/37

D524,961 S *	7/2006	Garrity	D26/37
D549,863 S *	8/2007	Garrity	D26/45
D553,275 S *	10/2007	Campbell et al.	D26/37
D584,842 S *	1/2009	Sham	D26/37
2006/0197744 A1 *	9/2006	Tiphane et al.	345/157

* cited by examiner

Primary Examiner—Ian Simmons

Assistant Examiner—Carissa C Fitts

(74) *Attorney, Agent, or Firm*—Kirschstein, et al.

(57) **CLAIM**

The ornamental design for a luminaire, as shown.

DESCRIPTION

FIG. 1 is a top plan view of a luminaire according to my design;

FIG. 2 is a left side elevational view thereof;

FIG. 3 is a front elevational view thereof;

FIG. 4 is a right side elevational view thereof;

FIG. 5 is a rear elevational view thereof;

FIG. 6 is a bottom plan view thereof;

FIG. 7 is a top, left and rear perspective view thereof; and,

FIG. 8 is a bottom, left and rear perspective view thereof.

The broken line showing is for illustrative purposes only and forms no part of the claimed design.

1 Claim, 3 Drawing Sheets

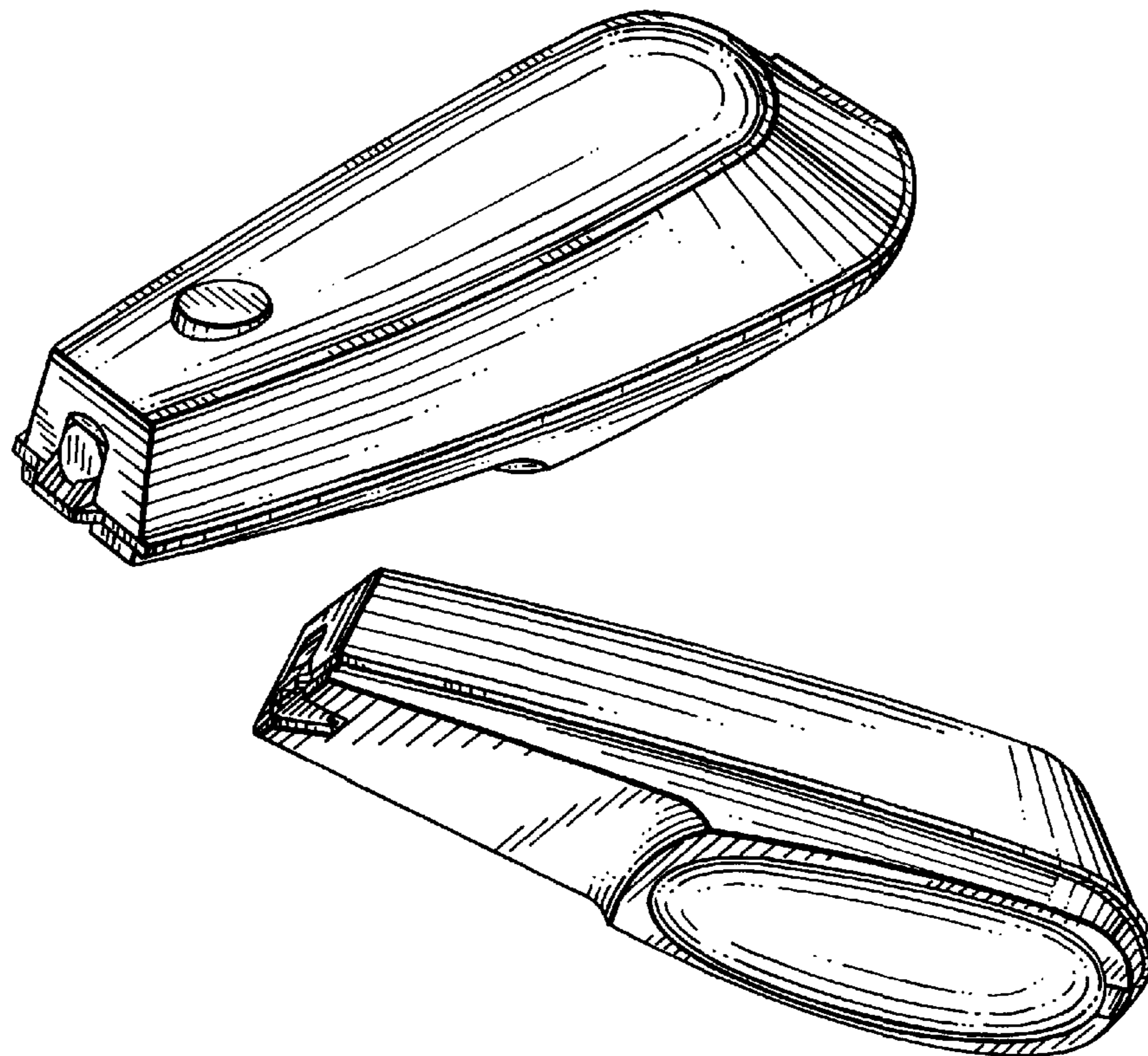


FIG. 1

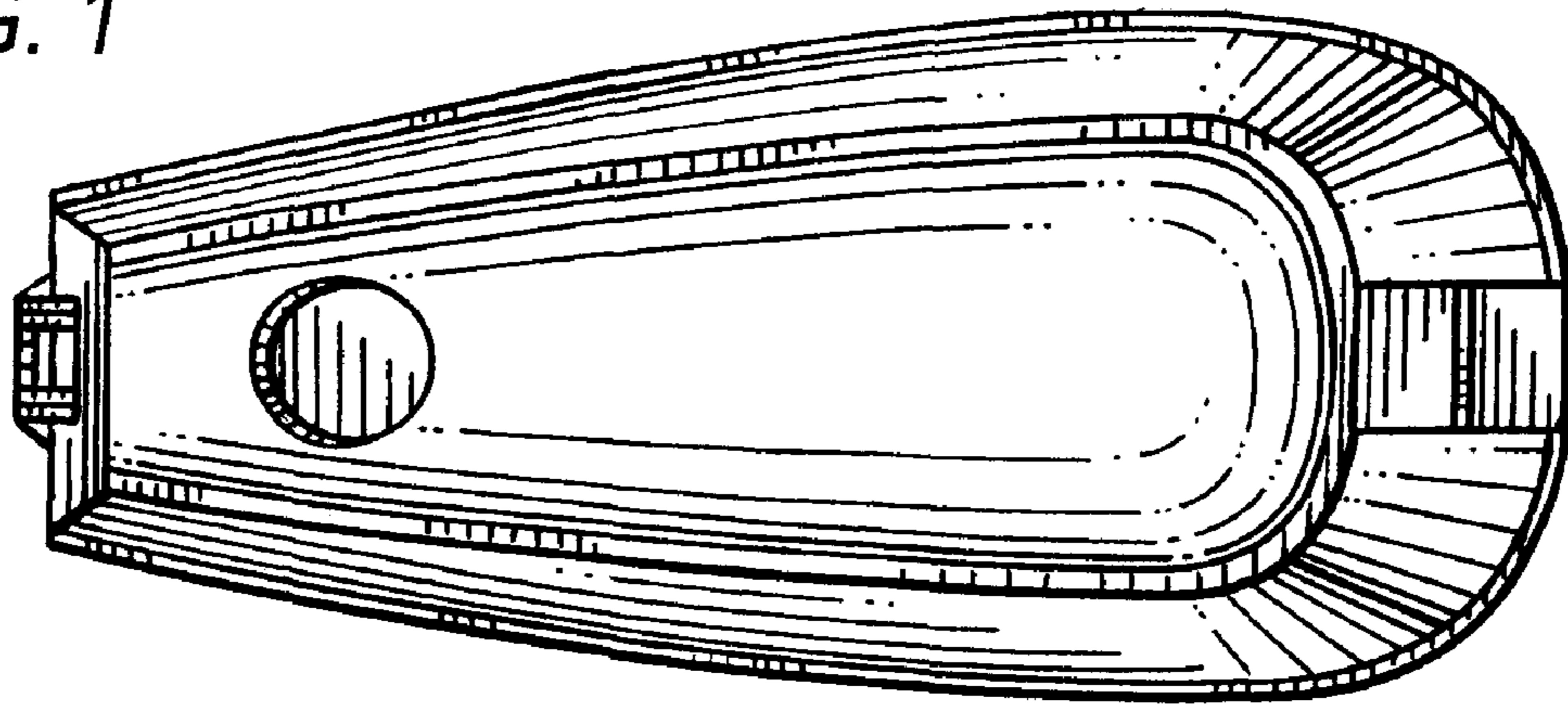


FIG. 2

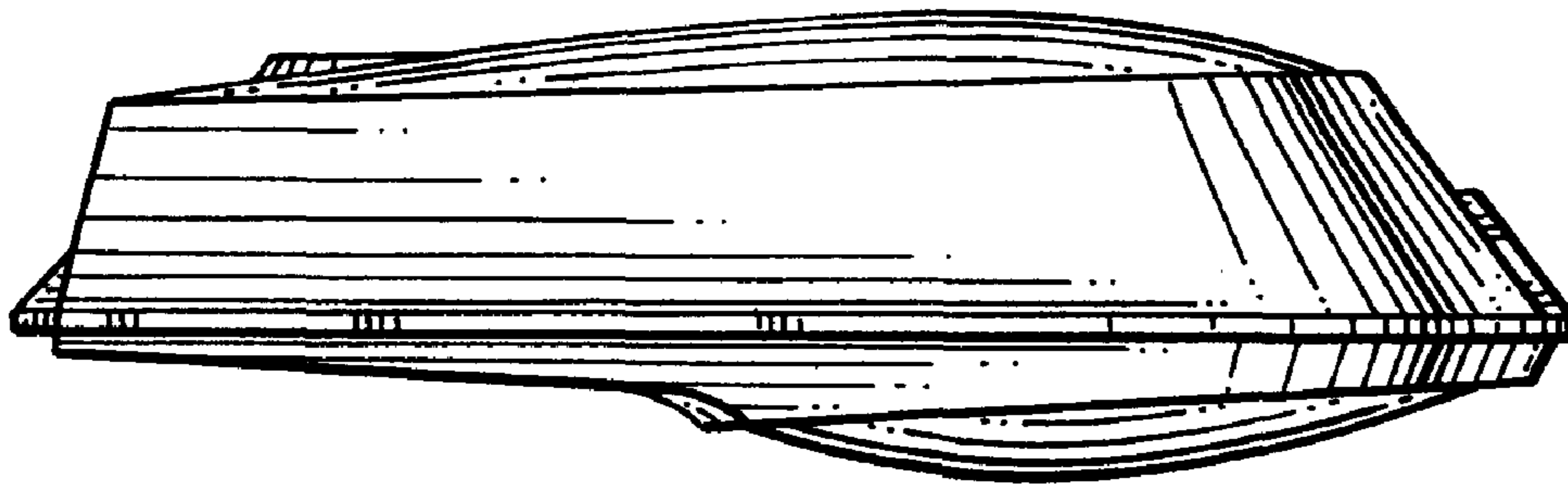


FIG. 3

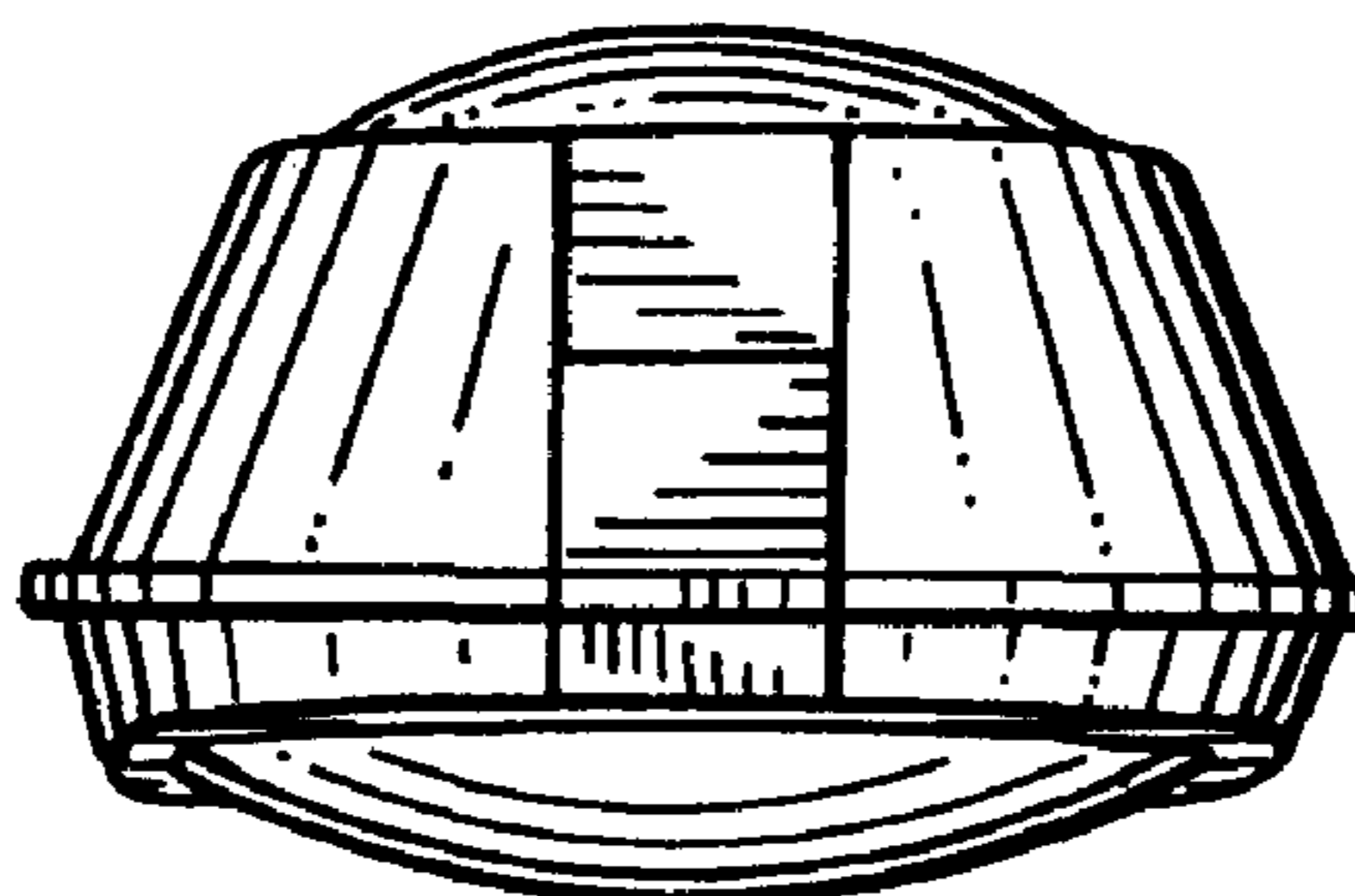


FIG. 4

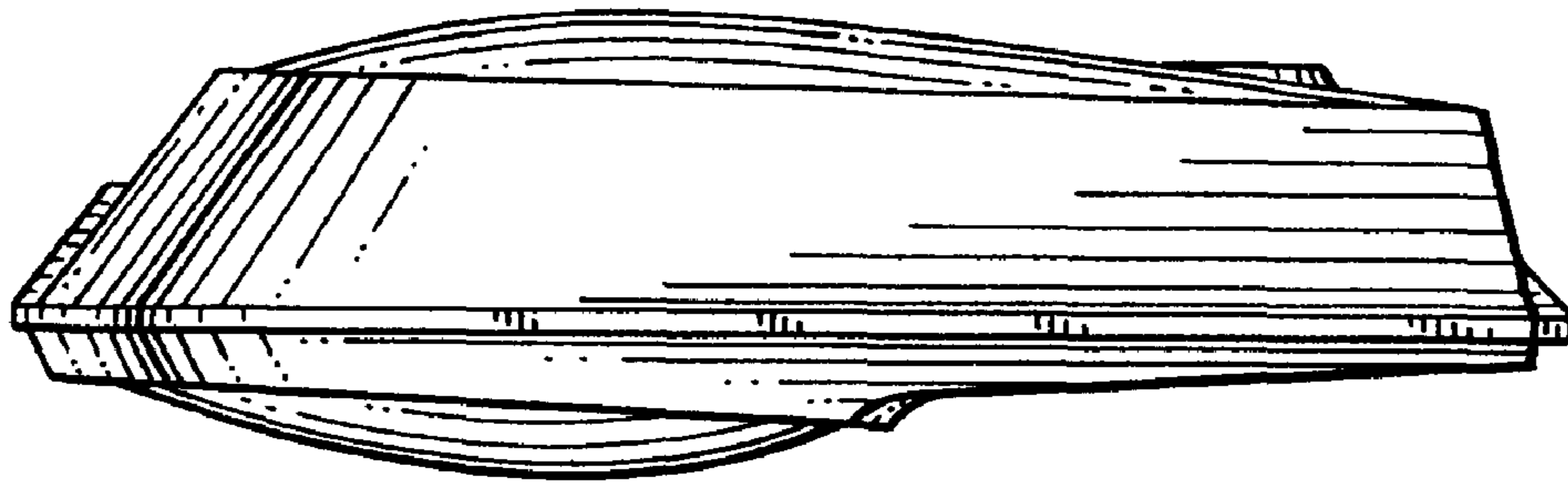


FIG. 5

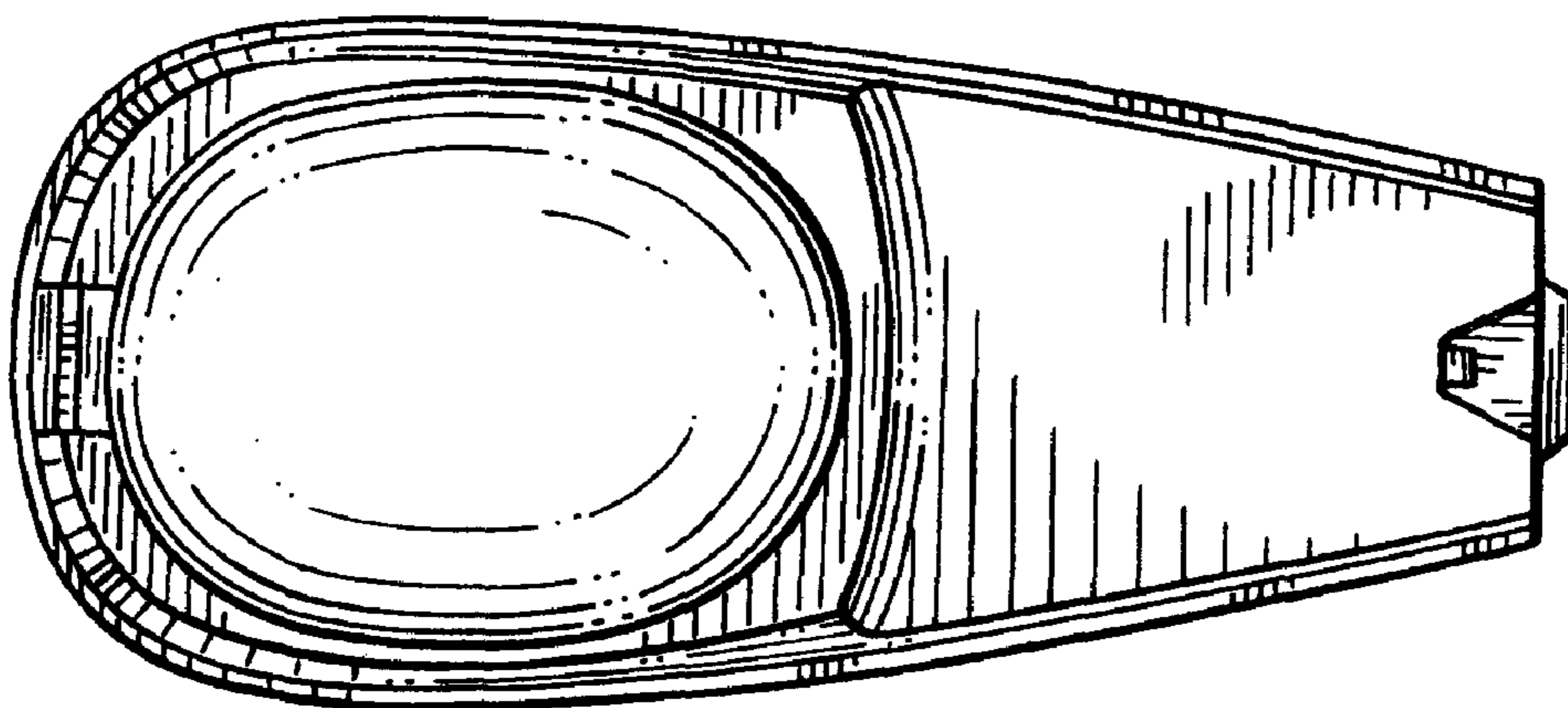
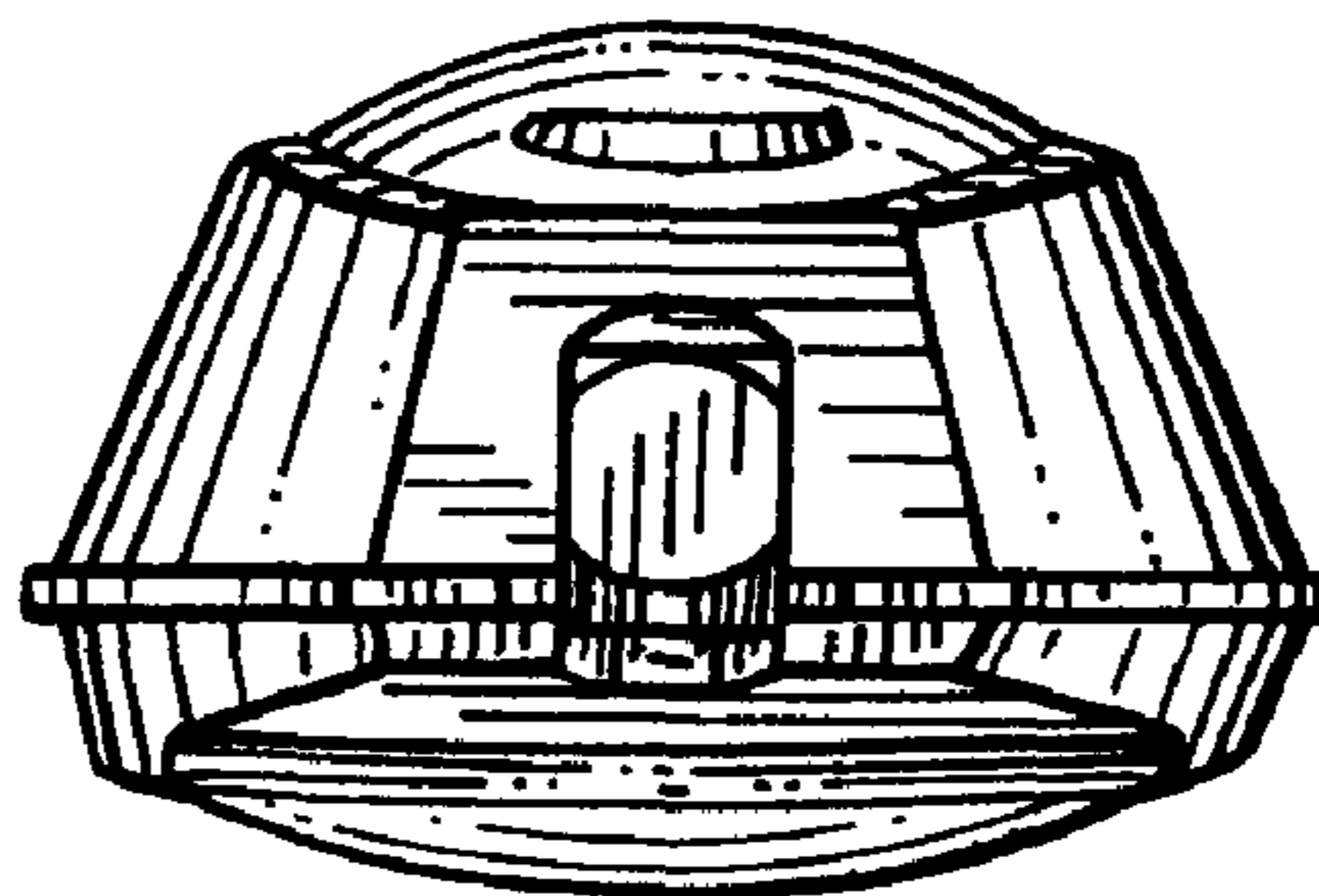


FIG. 6

FIG. 7

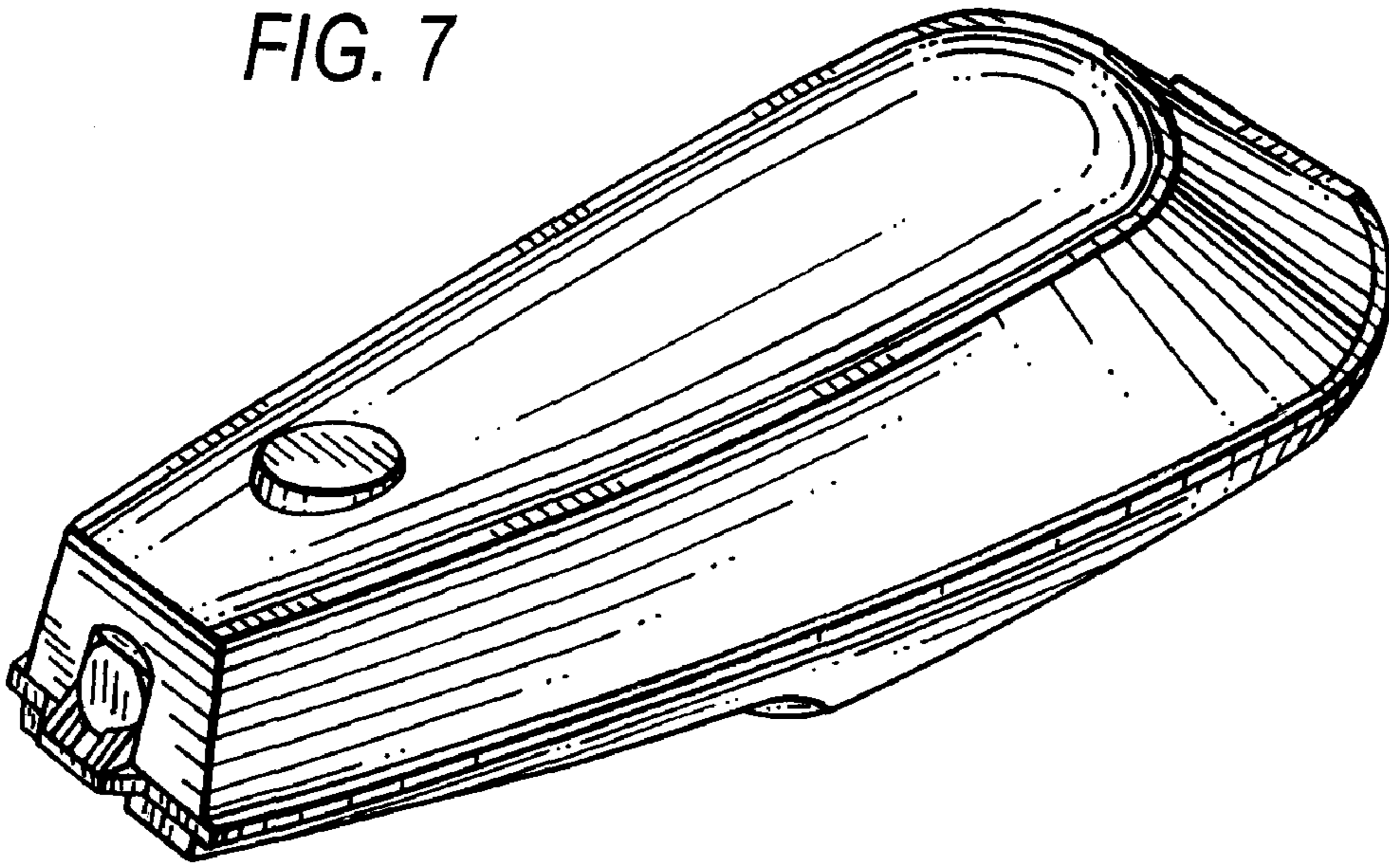


FIG. 8

