



US00D612959S

(12) **United States Design Patent**  
**Howard**

(10) **Patent No.:** **US D612,959 S**  
(45) **Date of Patent:** **\*\* Mar. 30, 2010**

(54) **PROJECTION NIGHT LIGHT**

(76) Inventor: **Ken Howard**, 329 Lyonnais, St. Louis,  
MO (US) 63141

(\*\*) Term: **14 Years**

(21) Appl. No.: **29/313,507**

(22) Filed: **Jan. 14, 2009**

(51) **LOC (9) Cl.** ..... **26-05**

(52) **U.S. Cl.** ..... **D26/26**

(58) **Field of Classification Search** ..... D26/24,  
D26/26, 37, 38, 39, 40, 44, 47, 49, 51, 52,  
D26/57, 60, 61, 63, 67, 72, 73, 88, 95, 113,  
D26/118, 125, 156, 85, 89, 74; D13/107,  
D13/108; D14/432, 435.1, 255, 356; D23/366,  
D23/367, 369; 362/217.02, 640, 641, 642,  
362/643, 644, 652, 653, 657, 658, 659, 477,  
362/88, 89, 98, 103, 104, 105, 109, 157,  
362/171, 183, 190, 191, 194, 195, 249.1,  
362/249.11, 311.01, 311.04, 311.05, 806,  
362/147, 404

See application file for complete search history.

(56) **References Cited**

**U.S. PATENT DOCUMENTS**

D293,607 S \* 1/1988 Schwartz ..... D26/26  
D343,015 S \* 1/1994 Yuen ..... D26/26  
D374,944 S \* 10/1996 Yuen ..... D26/28

D416,639 S \* 11/1999 Anwyl-Davies ..... D26/37  
D455,507 S \* 4/2002 Liu et al. .... D26/26  
D465,019 S \* 10/2002 Wu ..... D23/366  
D466,204 S \* 11/2002 Wolpert et al. .... D23/366  
D468,033 S \* 12/2002 Warren et al. .... D26/26  
D474,268 S \* 5/2003 Choke-arpornchai et al. .... D23/  
366  
D504,973 S \* 5/2005 Chen ..... D26/118  
D546,433 S \* 7/2007 Wu ..... D23/366  
D568,978 S \* 5/2008 Kennedy et al. .... D23/366  
RE40,626 E \* 1/2009 Choke-arpornchai et al. .... D23/  
366

\* cited by examiner

*Primary Examiner*—Jennifer Rivard  
*Assistant Examiner*—Angela J Lee  
(74) *Attorney, Agent, or Firm*—Paul M Denk

(57) **CLAIM**

The ornamental design for the projection night light, as shown and described.

**DESCRIPTION**

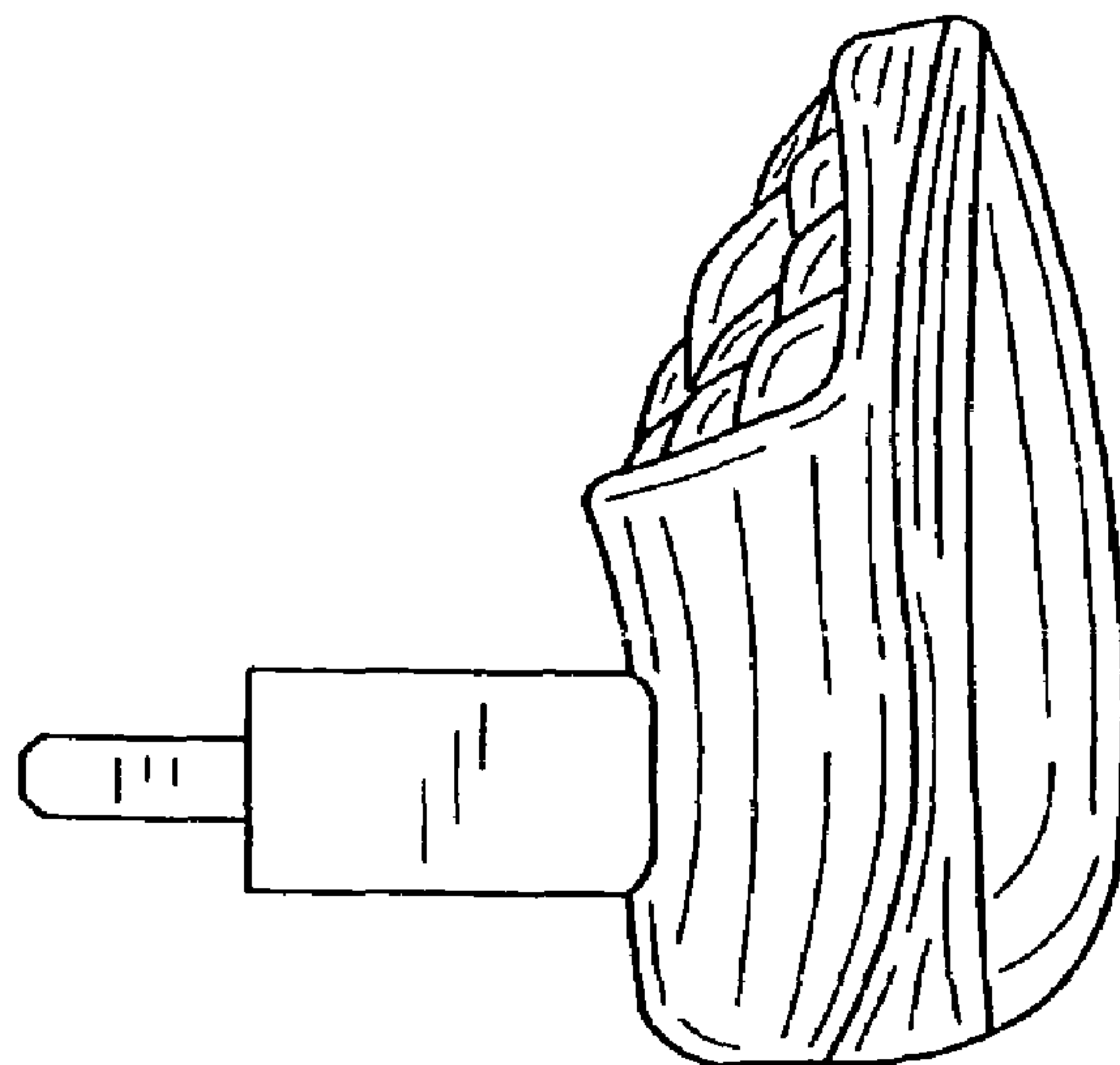
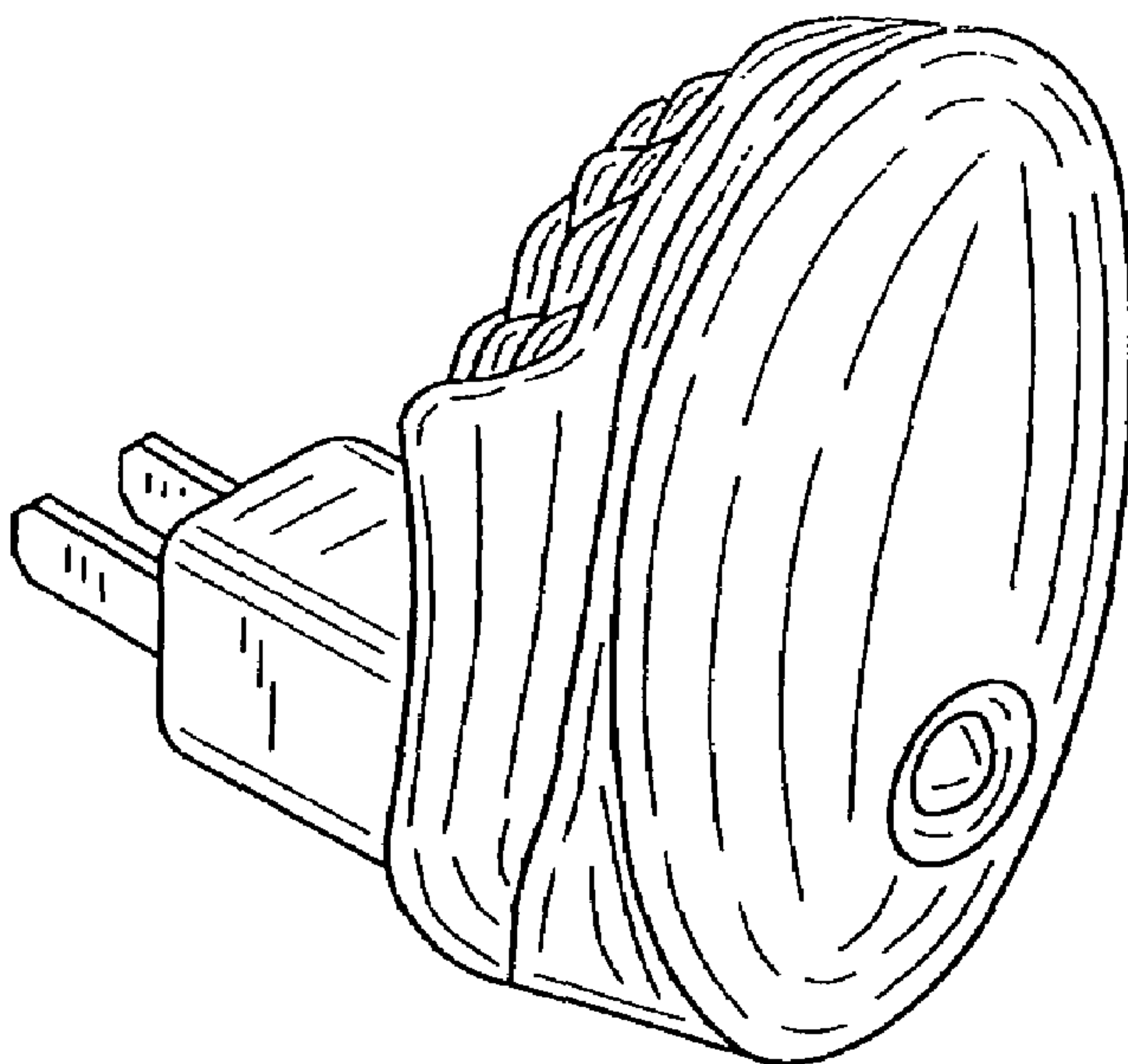
FIG. 1 is an isometric view of the projection night light of this invention;

FIG. 2 is a front view thereof;

FIG. 3 is a back view; and,

FIG. 4 is a left side view thereof.

**1 Claim, 1 Drawing Sheet**



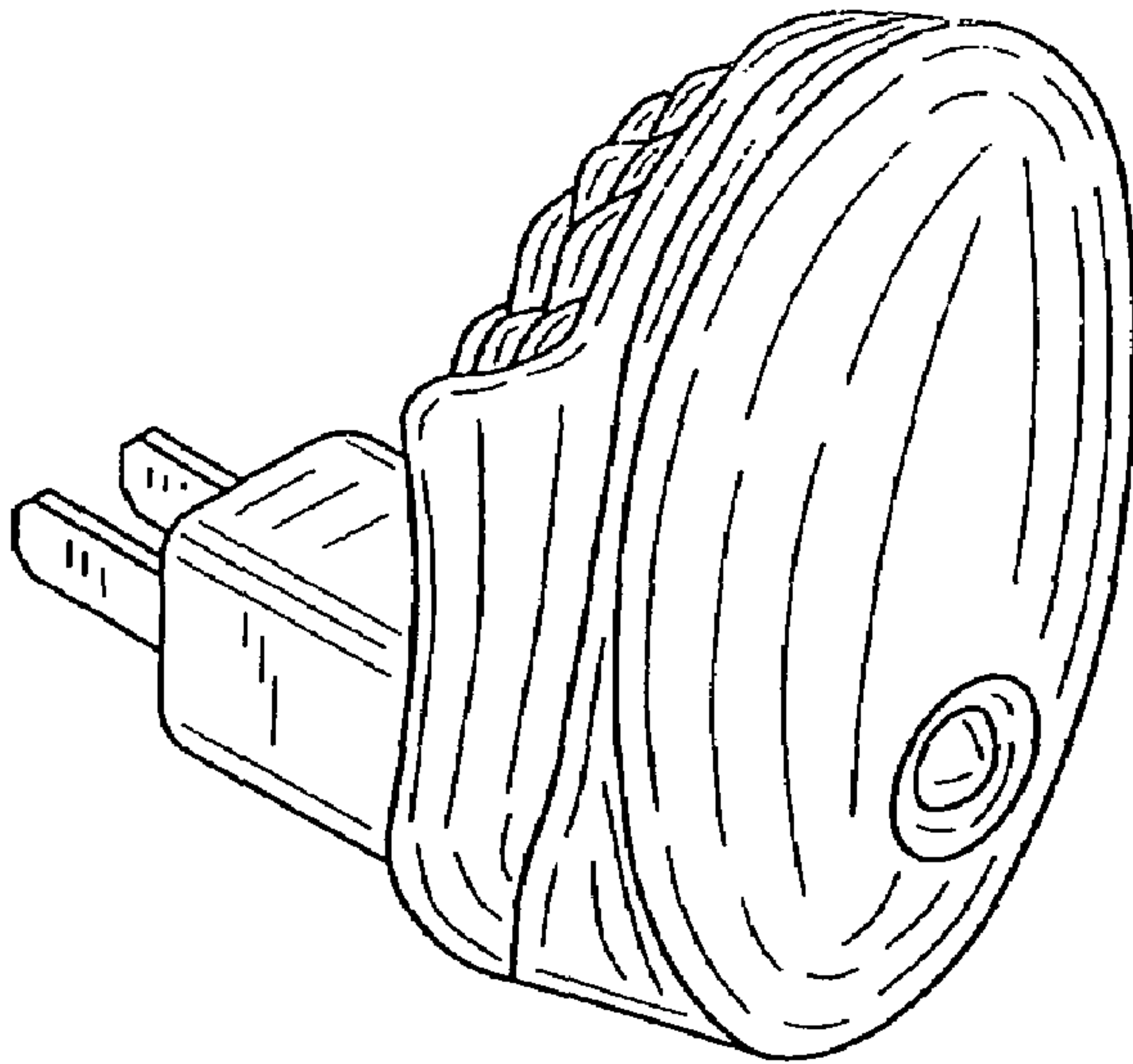


FIG. 1

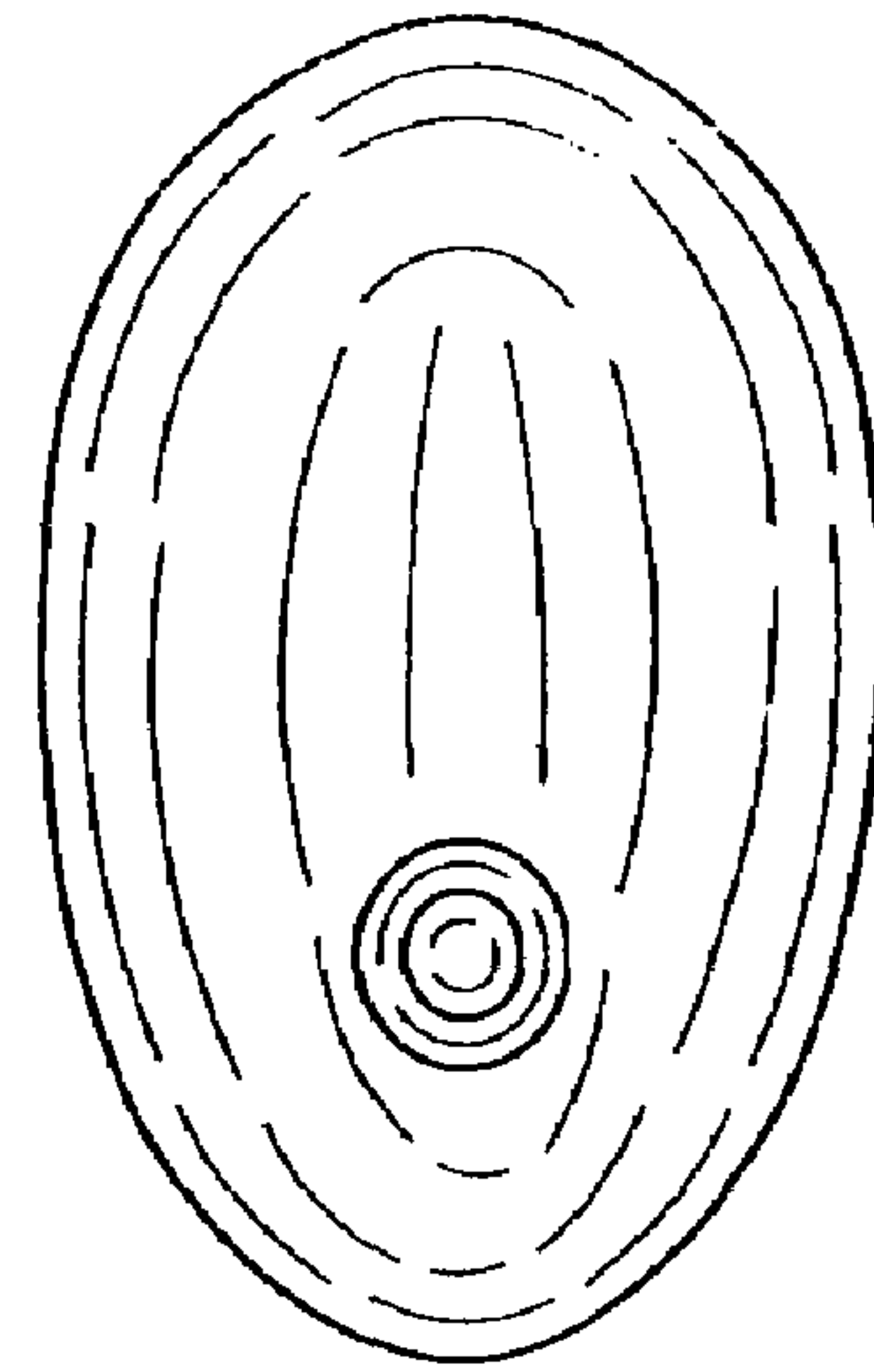


FIG. 2

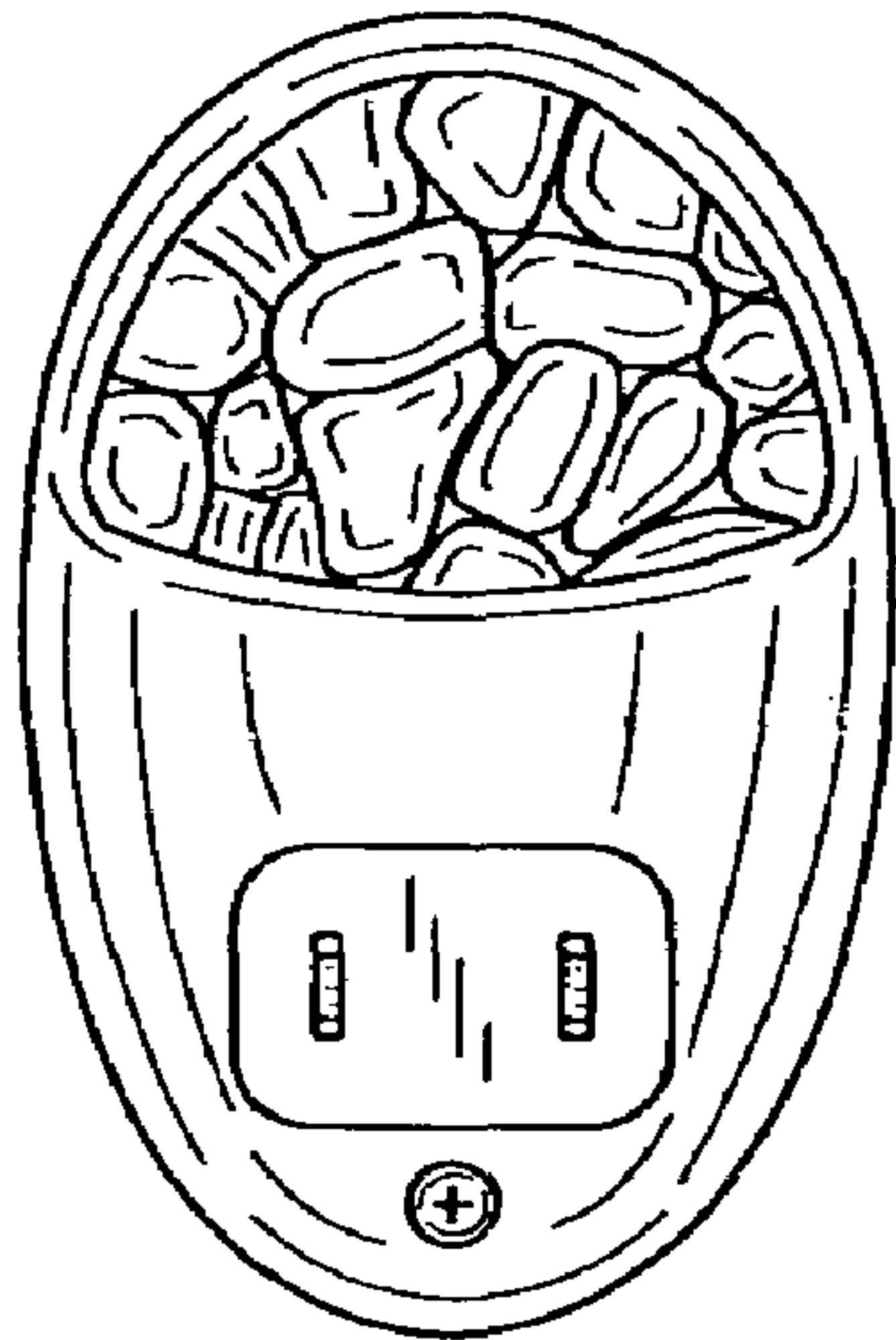


FIG. 3

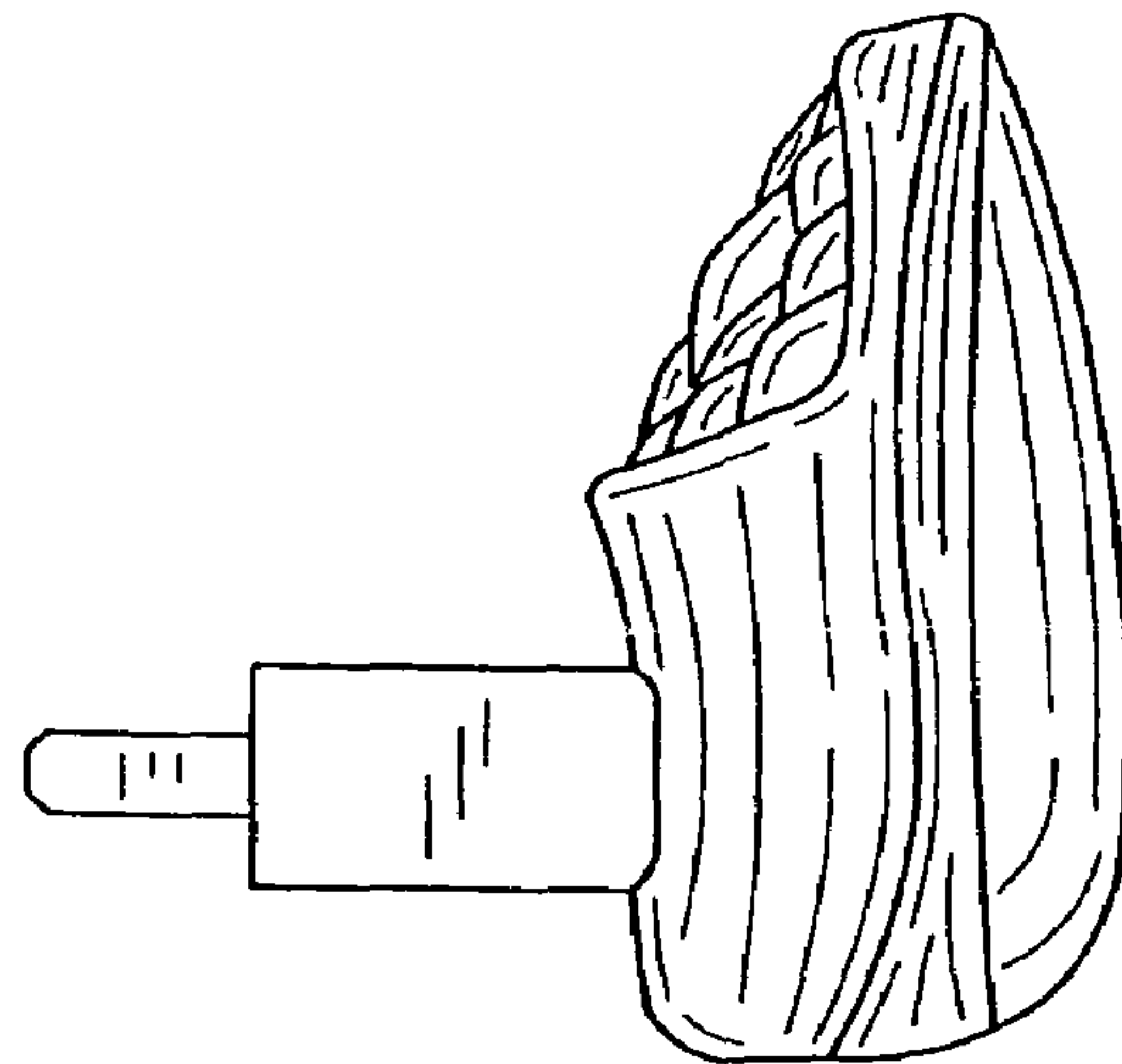


FIG. 4