



US00D612958S

(12) **United States Design Patent**
Uemoto et al.

(10) **Patent No.:** **US D612,958 S**
(45) **Date of Patent:** **** Mar. 30, 2010**

(54) **LIGHTING APPARATUS**
(75) Inventors: **Takaari Uemoto**, Kadoma (JP); **Keiji Nishimoto**, Kadoma (JP); **Yasuharu Ueno**, Kadoma (JP); **Satoshi Shida**, Kadoma (JP); **Yuji Omata**, Kadoma (JP)

D565,753 S 4/2008 Uemoto et al.
D565,754 S 4/2008 Uemoto et al.
D565,756 S 4/2008 Uemoto et al.
D568,500 S 5/2008 Uemoto et al.
D572,387 S 7/2008 Uemoto et al.
D572,388 S * 7/2008 Uemoto et al. D26/24

(73) Assignee: **Panasonic Corporation**, Osaka (JP)

(Continued)

(**) Term: **14 Years**

FOREIGN PATENT DOCUMENTS

(21) Appl. No.: **29/342,803**

JP 2003-124528 4/2003

(22) Filed: **Sep. 1, 2009**

OTHER PUBLICATIONS

Related U.S. Application Data

Uemoto et al., U.S. Design Application entitled "Lighting Apparatus," U.S. Appl. No. 29/270,316, filed Dec. 19, 2006.

(62) Division of application No. 29/270,341, filed on Dec. 19, 2006.

(Continued)

(30) **Foreign Application Priority Data**

Jun. 20, 2006 (JP) 2006-15918
Jun. 20, 2006 (JP) 2006-15919
Jun. 20, 2006 (JP) 2006-15920

Primary Examiner—Jennifer Rivard
Assistant Examiner—Angela J Lee
(74) *Attorney, Agent, or Firm*—Brinks Hofer Gilson & Lione

(51) **LOC (9) Cl.** **26-04**

(52) **U.S. Cl.** **D26/24; D26/1**

(58) **Field of Classification Search** D26/24,
D26/1, 2, 3, 113, 120; D13/180, 182; 362/612,
362/555, 257, 800; 313/500; 257/82, 83,
257/433

(57) **CLAIM**

We claim the ornamental design for a lighting apparatus, as shown and described.

See application file for complete search history.

DESCRIPTION

(56) **References Cited**

U.S. PATENT DOCUMENTS

5,218,663 A * 6/1993 Isono et al. 385/129
5,748,161 A * 5/1998 Leby et al. 345/84
6,150,187 A * 11/2000 Zyung et al. 438/26
6,621,213 B2 * 9/2003 Kawashima 313/506
7,101,061 B2 9/2006 Nagai et al.
D541,761 S * 5/2007 Saito et al. D13/180
D560,293 S 1/2008 Uemoto et al.
D565,207 S * 3/2008 Uemoto et al. D26/24
D565,208 S 3/2008 Uemoto et al.

FIG. 1 is a top perspective view of a lighting apparatus of the present invention;

FIG. 2 is a front view thereof, the rear view being a mirror image thereof;

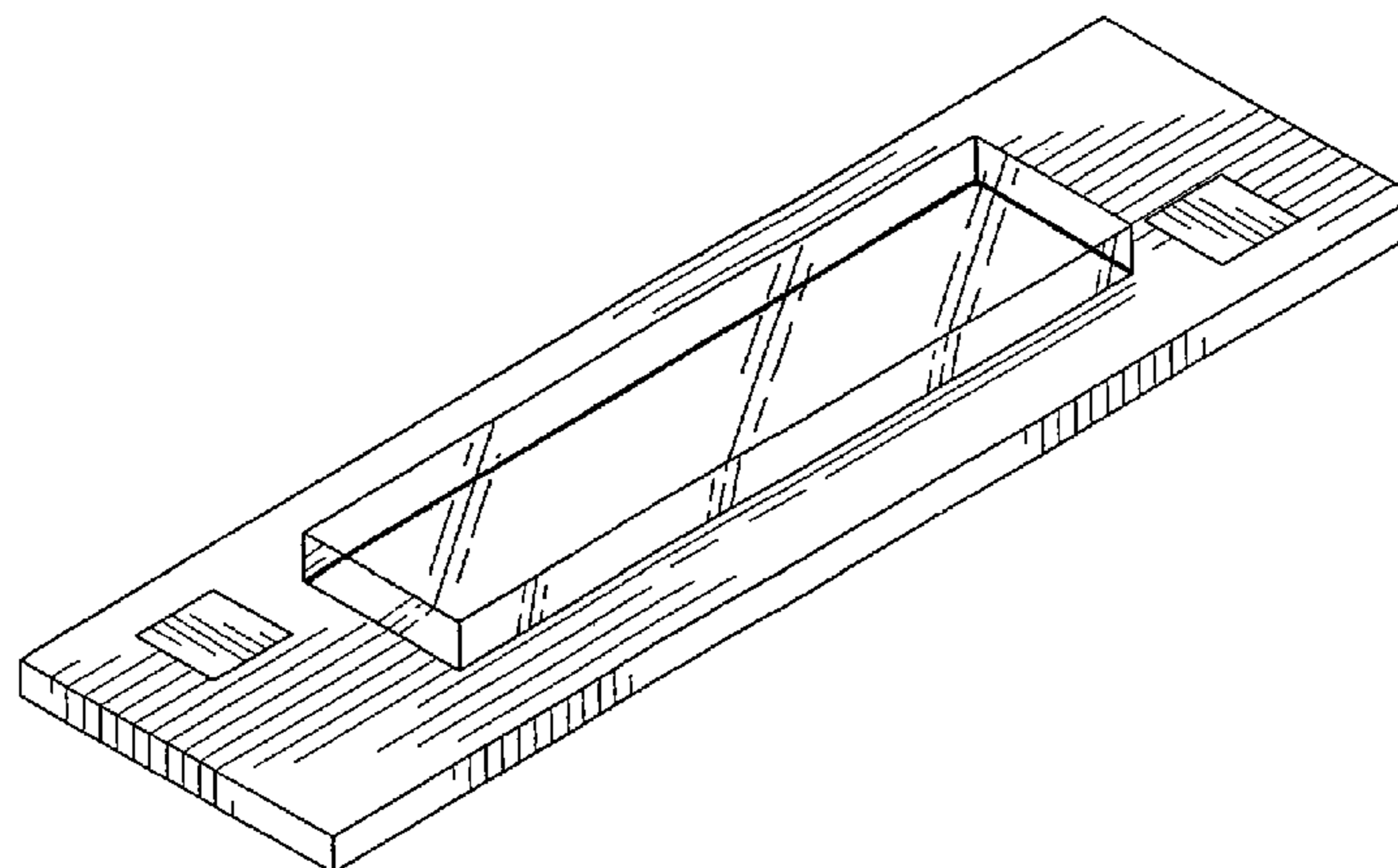
FIG. 3 is a left side view thereof, the right side view being a mirror image thereof;

FIG. 4 is a top view thereof; and,

FIG. 5 is a bottom view thereof.

A rectangular elevation on a substrate is transparent and thus light comes through. Two squares are electrodes.

1 Claim, 2 Drawing Sheets



US D612,958 S

Page 2

U.S. PATENT DOCUMENTS

D573,553 S 7/2008 Uemoto et al.
D573,730 S * 7/2008 Uemoto et al. D26/24
D573,731 S * 7/2008 Uemoto et al. D26/24
D582,575 S * 12/2008 Liao et al. D26/2
D586,764 S * 2/2009 Uemoto et al. D13/180
2004/0016932 A1 1/2004 Kondo
2004/0084741 A1* 5/2004 Boon et al. 257/433

2004/0223328 A1 11/2004 Lee et al.
2007/0023769 A1 2/2007 Nishimoto et al.

OTHER PUBLICATIONS

Uemoto et al., U.S. Design Application entitled "Lighting Apparatus," U.S. Appl. No. 29/270,326, filed Dec. 19, 2006.

* cited by examiner

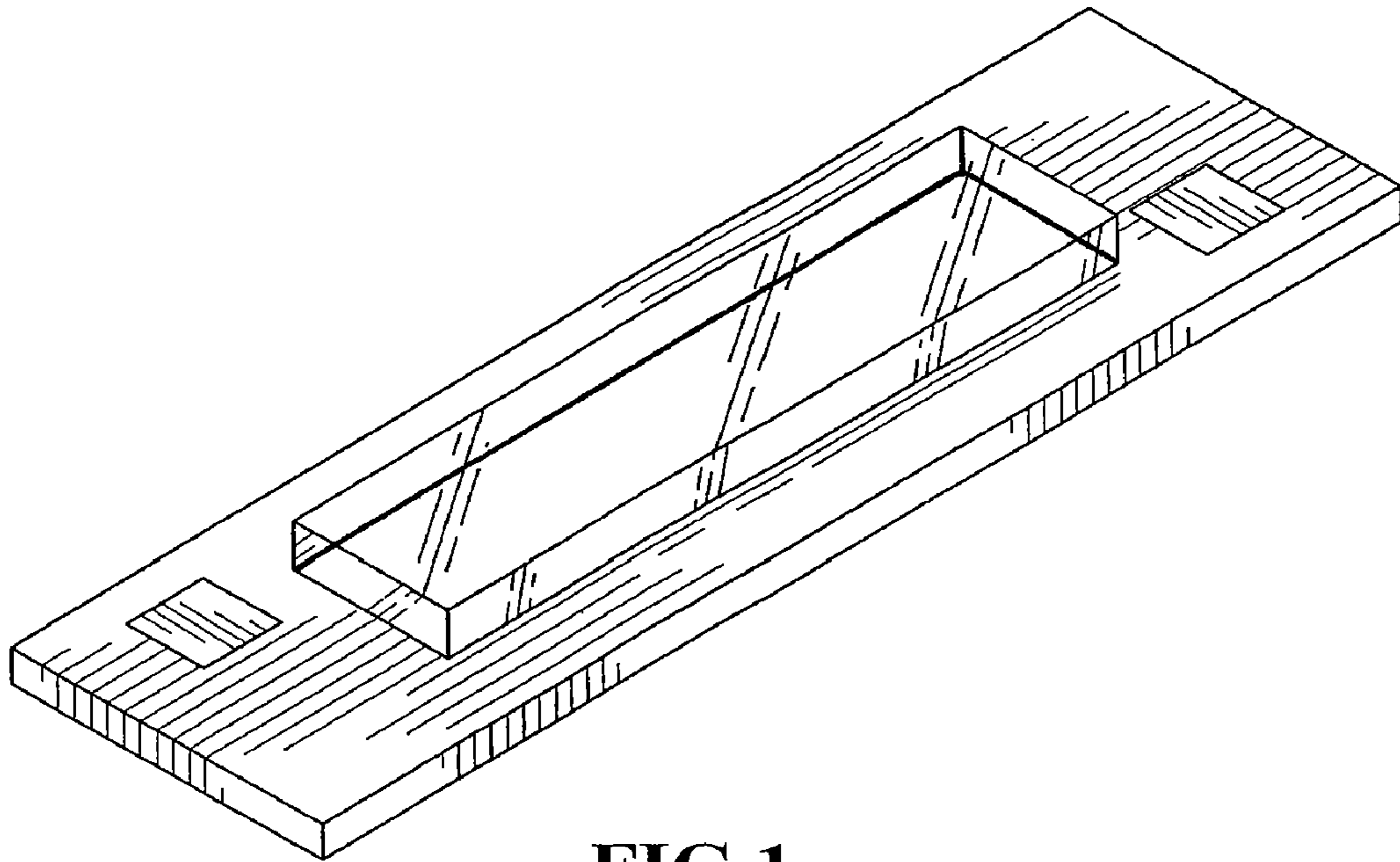


FIG. 1

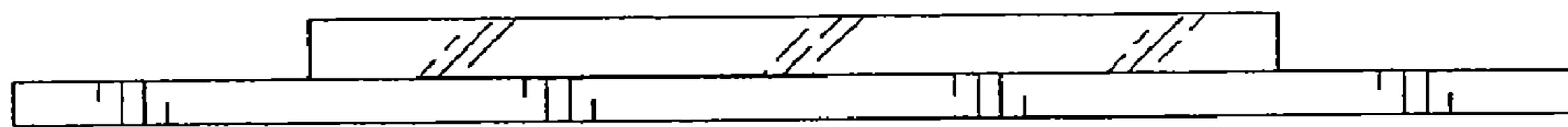


FIG. 2

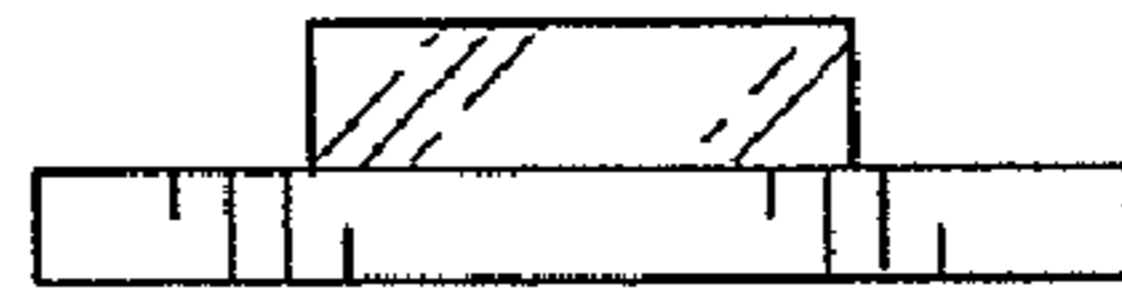


FIG. 3

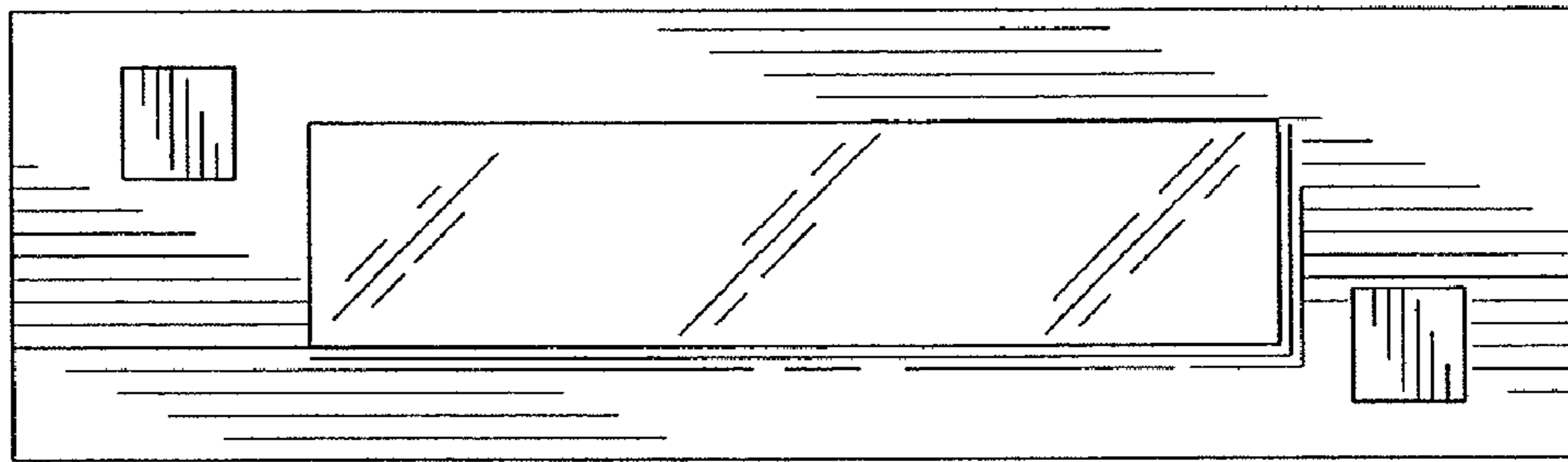


FIG. 4

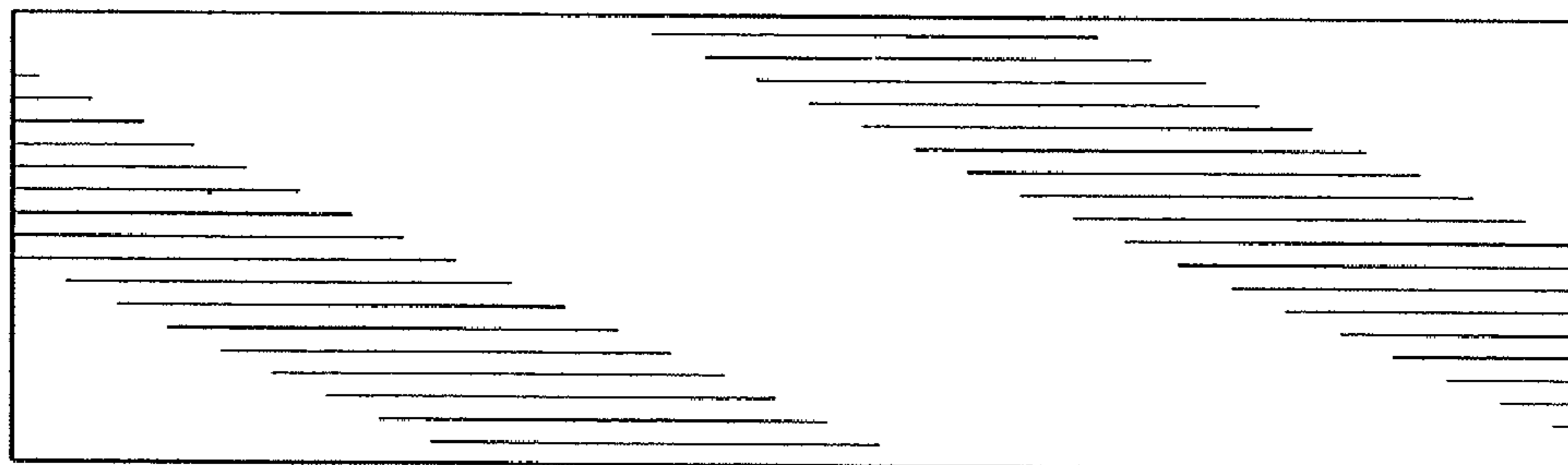


FIG. 5