



US00D612954S

(12) **United States Design Patent**  
**Perko**

(10) **Patent No.:** **US D612,954 S**  
(45) **Date of Patent:** **\*\* Mar. 30, 2010**

(54) **HELICAL PIER**

OTHER PUBLICATIONS

(75) Inventor: **Howard A. Perko**, Fort Collins, CO  
(US)

“Screw Anchor Designs and Configurations”, Almita Manufacturing Ltd. web page: www.almita.com/anchor.htm; printed Dec. 4, 2002 (1 page).

(73) Assignee: **Magnum Piering, Inc.**, West Chester, OH (US)

*Primary Examiner*—Doris Clark

(\*\*) Term: **14 Years**

(74) *Attorney, Agent, or Firm*—Wood, Herron & Evans, LLP

(21) Appl. No.: **29/326,895**

(57) **CLAIM**

(22) Filed: **Oct. 27, 2008**

The ornamental design for a helical pier, as shown and described.

(51) **LOC (9) Cl.** ..... **25-01**

(52) **U.S. Cl.** ..... **D25/122**

(58) **Field of Classification Search** ..... D25/121,  
D25/126; 405/231, 252.1, 253, 285

See application file for complete search history.

**DESCRIPTION**

(56) **References Cited**

U.S. PATENT DOCUMENTS

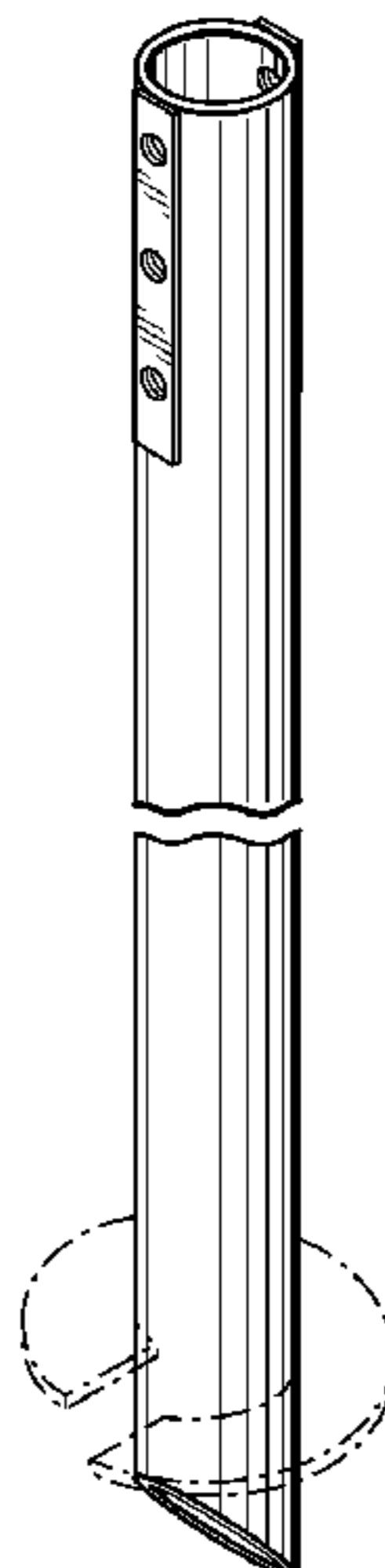
2,643,843	A	6/1953	Brown	
3,999,391	A	12/1976	Meredith	
4,339,899	A	7/1982	Klenk et al.	
4,695,203	A	9/1987	Gregory	
4,708,528	A	11/1987	Rippe	
4,925,345	A	5/1990	McCown, Jr. et al.	
5,011,336	A	4/1991	Hamilton et al.	
5,120,163	A	6/1992	Holdeman et al.	
5,171,107	A	12/1992	Hamilton et al.	
5,213,448	A	5/1993	Seider et al.	
5,234,287	A	8/1993	Rippe, Jr.	
5,575,593	A	11/1996	Raaf	
D408,560	S *	4/1999	Bruder	..... D25/122
5,904,447	A	5/1999	Sutton et al.	
6,058,662	A	5/2000	Perko	
6,074,133	A	6/2000	Kelsey	
6,183,167	B1	2/2001	Ruiz et al.	
6,352,391	B1 *	3/2002	Jones	..... 405/252.1
6,514,012	B2	2/2003	Gregory et al.	

FIG. 1 is a perspective view of an embodiment of my new, original and ornamental design;  
 FIG. 2 is a front view thereof;  
 FIG. 3 is a right side view thereof, the left side view being a mirror image;  
 FIG. 4 is a rear view thereof;  
 FIG. 5 is an enlarge top view thereof; and  
 FIG. 6 is an enlarged bottom view thereof;  
 FIG. 7 is perspective view of a further alternative embodiment of my new, original and ornamental design;  
 FIG. 8 is a front view of the embodiment of FIG. 7;  
 FIG. 9 is a right side view of the embodiment of FIG. 7, the left side view being a minor image;  
 FIG. 10 is a rear view of the embodiment of FIG. 7;  
 FIG. 11 is an enlarged top view of the embodiment of FIG. 7; and,  
 FIG. 12 is an enlarged bottom view of the embodiment of FIG. 7.

The structure shown in phantom is for illustrative purposes only and forms no part of the claimed design.

(Continued)

**1 Claim, 2 Drawing Sheets**



# US D612,954 S

Page 2

---

U.S. PATENT DOCUMENTS						
			2002/0176749	A1*	11/2002	Provost ..... 405/230
			2003/0159839	A1	8/2003	Perko
6,641,332	B1	11/2003	Alvarado			
7,090,437	B2	8/2006	Pinkleton			
7,220,081	B1	5/2007	Gantt, Jr.			
7,241,079	B2*	7/2007	Francis ..... 405/231			
						* cited by examiner

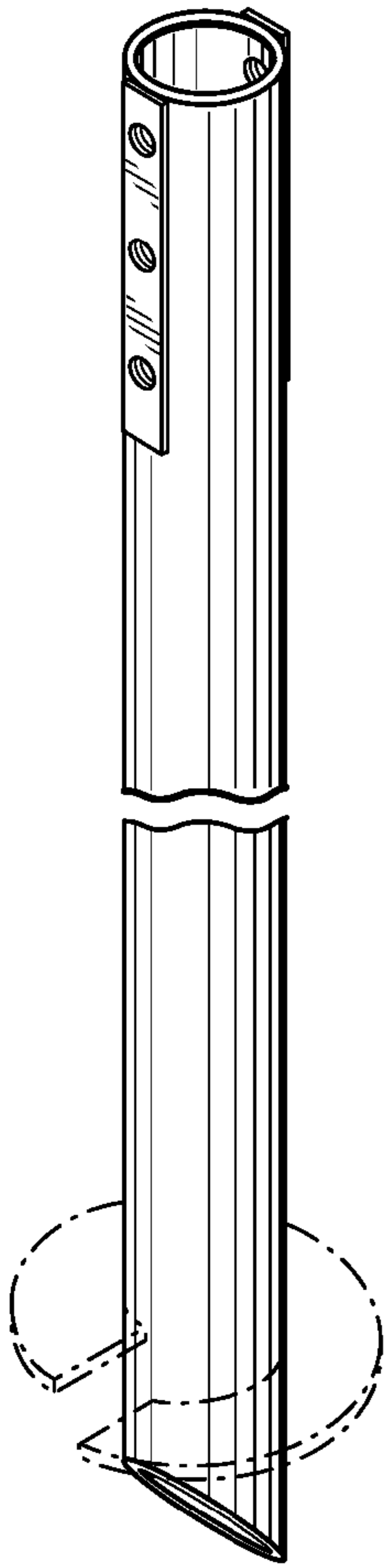


FIG. 1

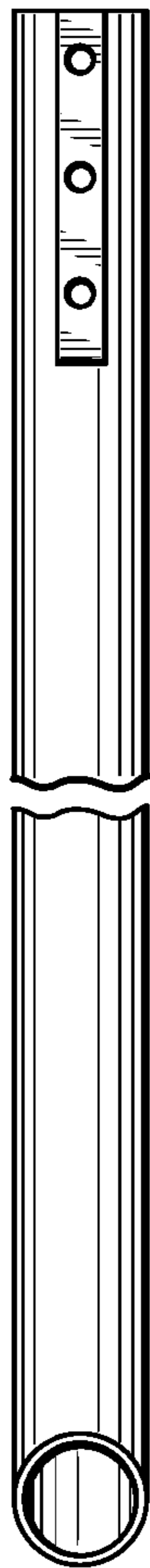


FIG. 2

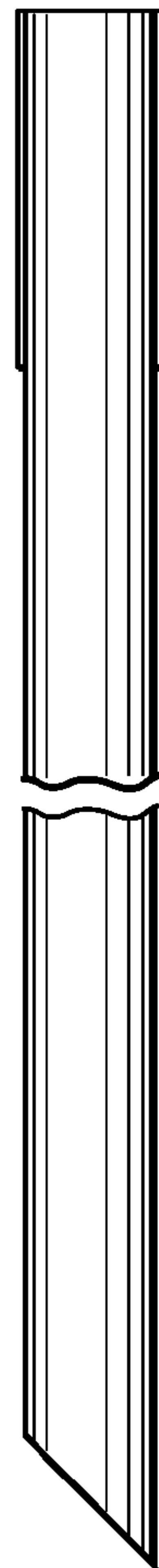


FIG. 3

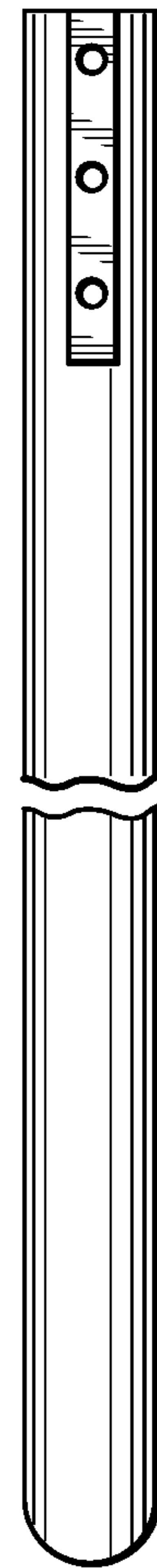


FIG. 4

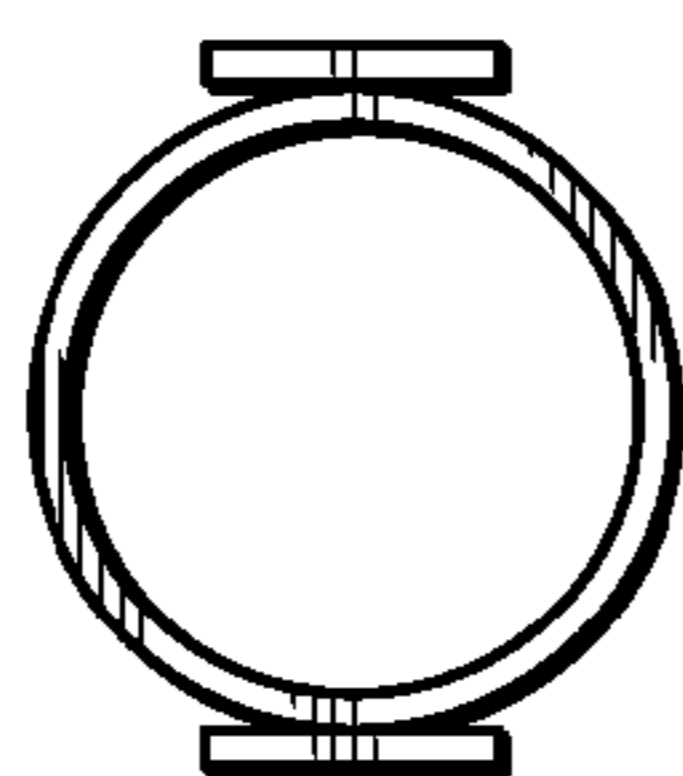


FIG. 5

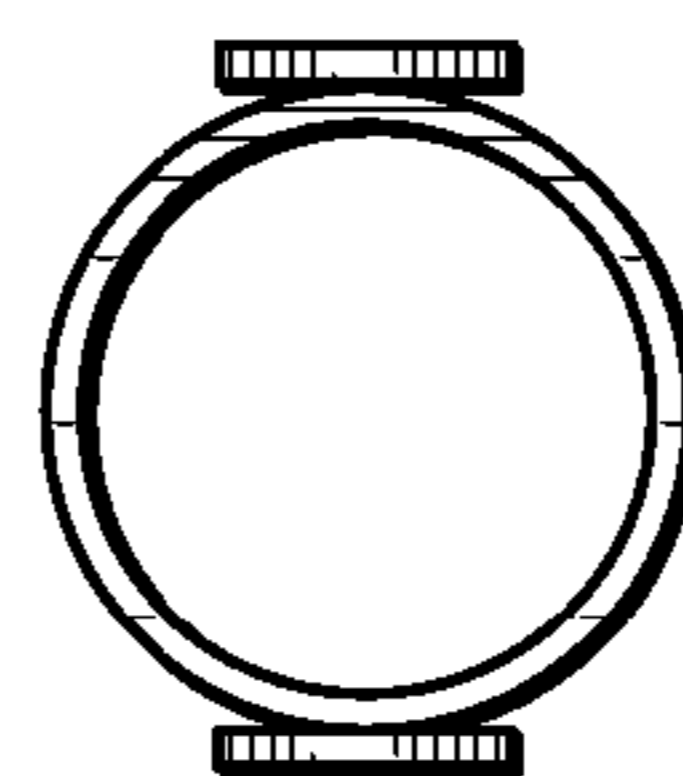


FIG. 6

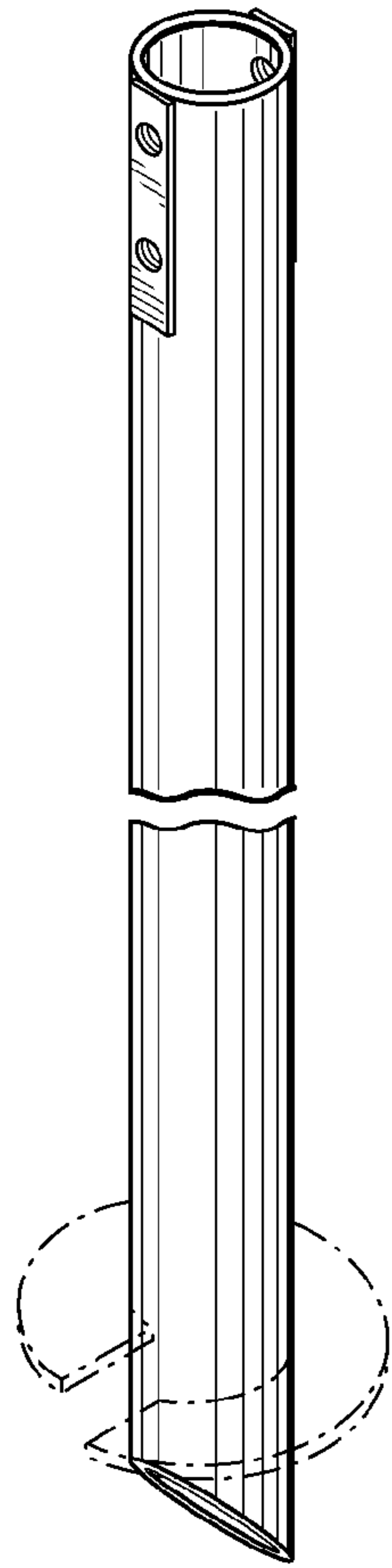


FIG. 7

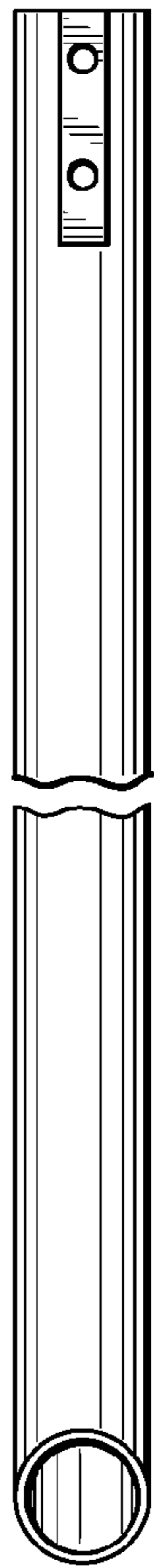


FIG. 8

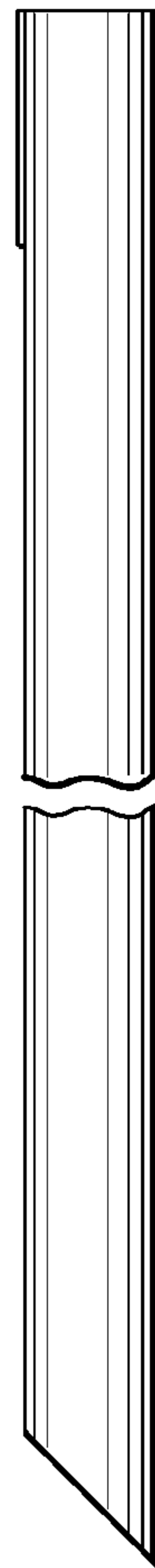


FIG. 9

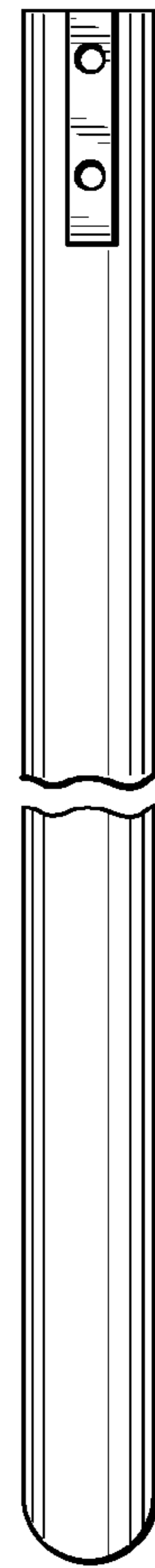


FIG. 10

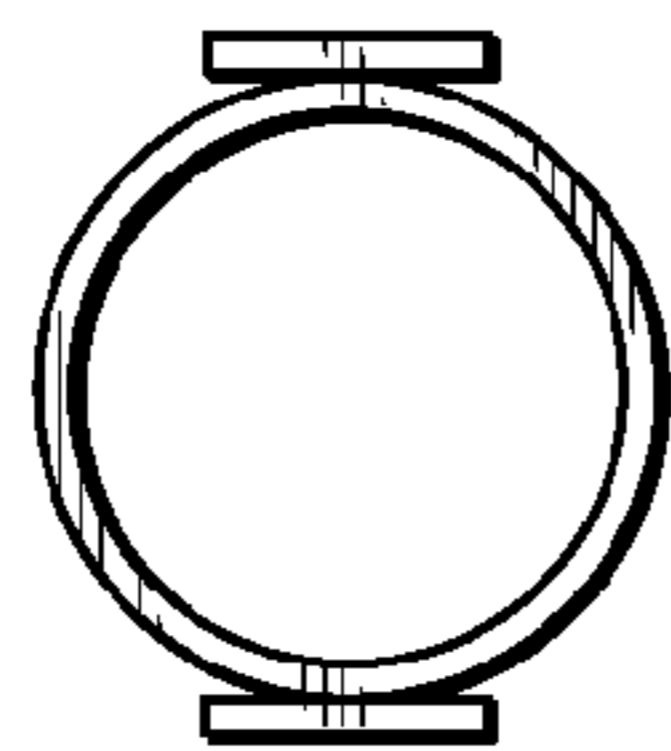


FIG. 11

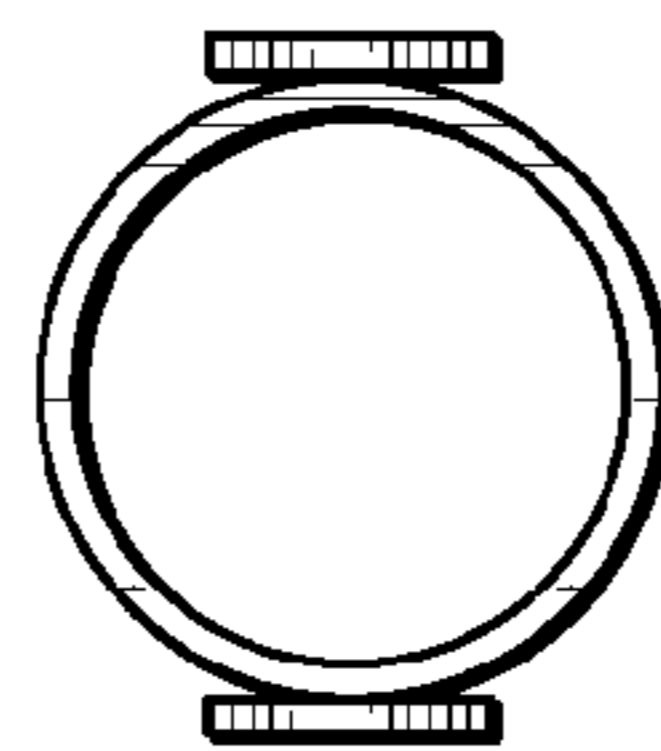


FIG. 12