



US00D612953S

(12) **United States Design Patent**
Brunelli

(10) **Patent No.:** **US D612,953 S**
(45) **Date of Patent:** **** Mar. 30, 2010**

(54) **PATTERN FOR GLASS**

(57) **CLAIM**

(75) **Inventor:** **Vera Lúcia Dias Brunelli**, São Paulo (BR)

The ornamental design for a pattern for glass, as shown and described.

(73) **Assignee:** **Uniao Brasileira de Vidros S.A.**, Sao Paulo (BR)

DESCRIPTION

(**) **Term:** **14 Years**

FIG. 1 is a perspective view of an embodiment of a pattern for glass according to my new design;

(21) **Appl. No.:** **29/326,506**

FIG. 2 is an enlarged perspective view of a portion thereof;

(22) **Filed:** **Oct. 20, 2008**

FIG. 3 is a top plan view thereof;

(30) **Foreign Application Priority Data**

FIG. 4 is an enlarged top plan view of a portion thereof;

Apr. 18, 2008 (BR) DI6802229

FIG. 5 is a rear plan view thereof;

(51) **LOC (9) Cl.** **25-01**

FIG. 6 is a front elevation view thereof, the rear elevation view being a mirror image thereof;

(52) **U.S. Cl.** **D25/111**

FIG. 7 is a right side elevation view thereof, the left side elevation view being a mirror image thereof;

(58) **Field of Classification Search** D25/103-111,
D25/48, 52, 138; D6/306, 470, 494; D26/122;
428/38, 49; 52/204.59; 362/330; 312/109,
312/138.1

FIG. 8 is an enlarged cross-section view thereof taken along line 8-8;

See application file for complete search history.

FIG. 9 is a perspective view of another embodiment of a pattern for glass according to my new design;

(56) **References Cited**

FIG. 10 is an enlarged perspective view of a portion thereof;

U.S. PATENT DOCUMENTS

FIG. 11 is a top plan view thereof;

D30,964 S *	6/1899	Schmitt	D25/103
D275,062 S *	8/1984	Sorko-Ram et al.	D25/106
D282,589 S *	2/1986	Horvath et al.	D25/103
D448,495 S *	9/2001	Lamberts	D25/121
D451,610 S *	12/2001	Saalburg	D25/106
D478,674 S *	8/2003	Lamberts	D25/110
D564,104 S *	3/2008	Savinell et al.	D25/103

FIG. 12 is an enlarged top plan view of a portion thereof;

FOREIGN PATENT DOCUMENTS

BR DI 5401776-9 3/1996

FIG. 13 is a rear plan view thereof;

* cited by examiner

FIG. 14 is a front elevation view thereof, the rear elevation view being a mirror image thereof;

Primary Examiner—T. Chase Nelson

Assistant Examiner—Anhdao Doan

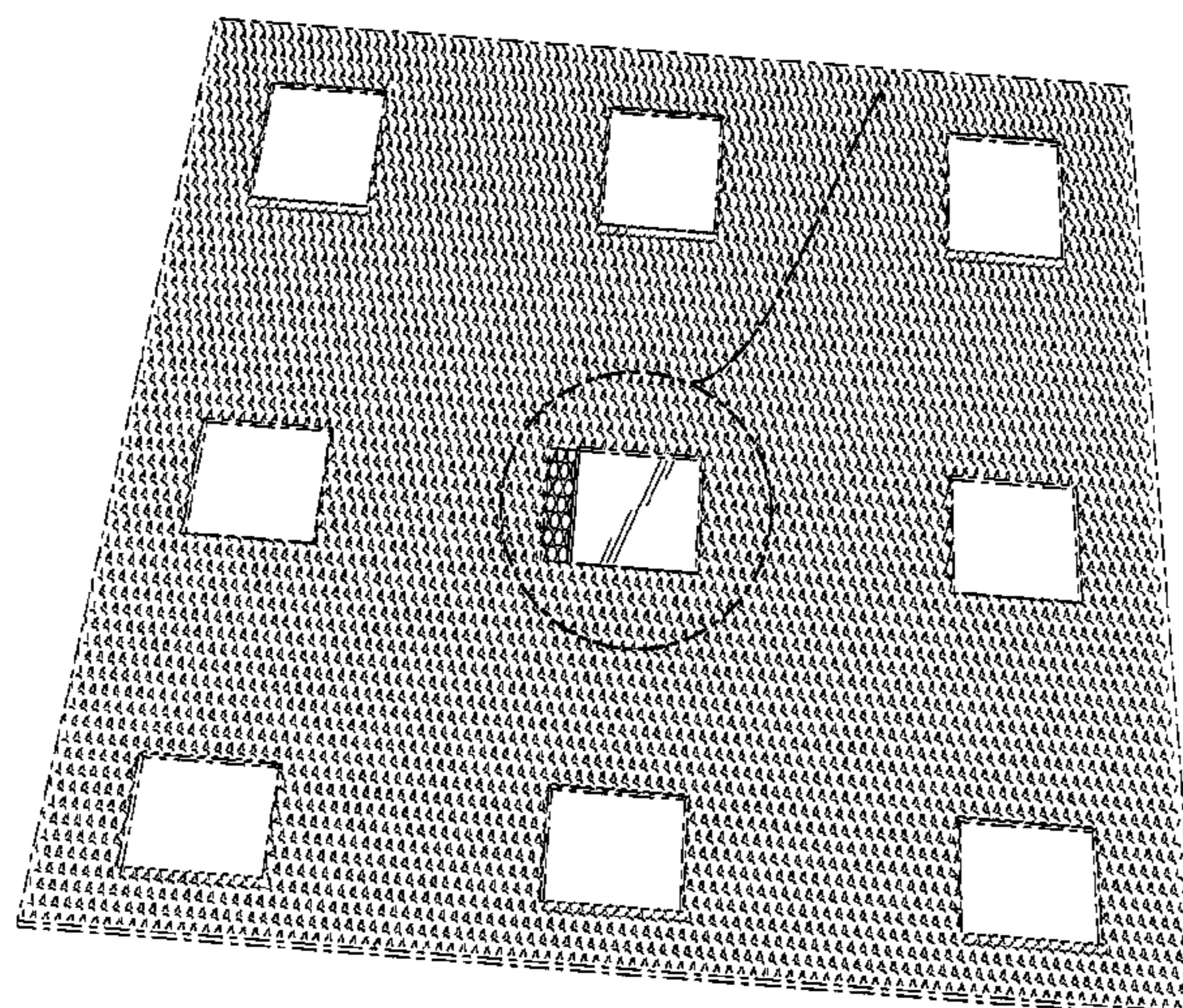
(74) *Attorney, Agent, or Firm*—Alston & Bird LLP

FIG. 15 is a right side elevation view thereof, the left side elevation view being a mirror image thereof; and,

FIG. 16 is an enlarged cross-section view thereof taken along line 16-16.

The broken lines immediately adjacent the shaded areas represent the bounds of the claim, and all other broken lines are included for the purpose of illustrating portions of the pattern for glass that form no part of the claimed design. None of the broken lines form a part of the claimed design.

1 Claim, 14 Drawing Sheets



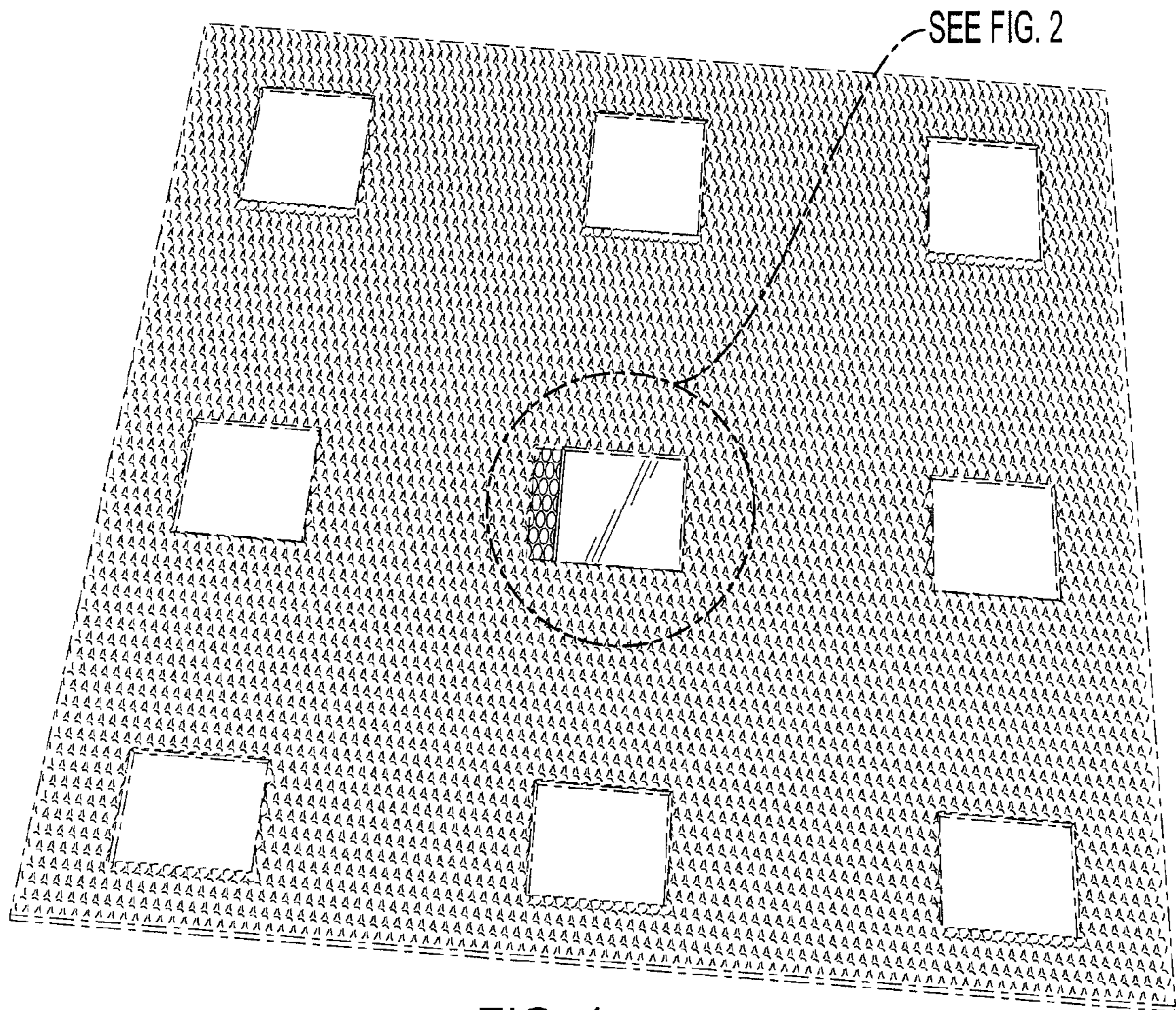


FIG. 1

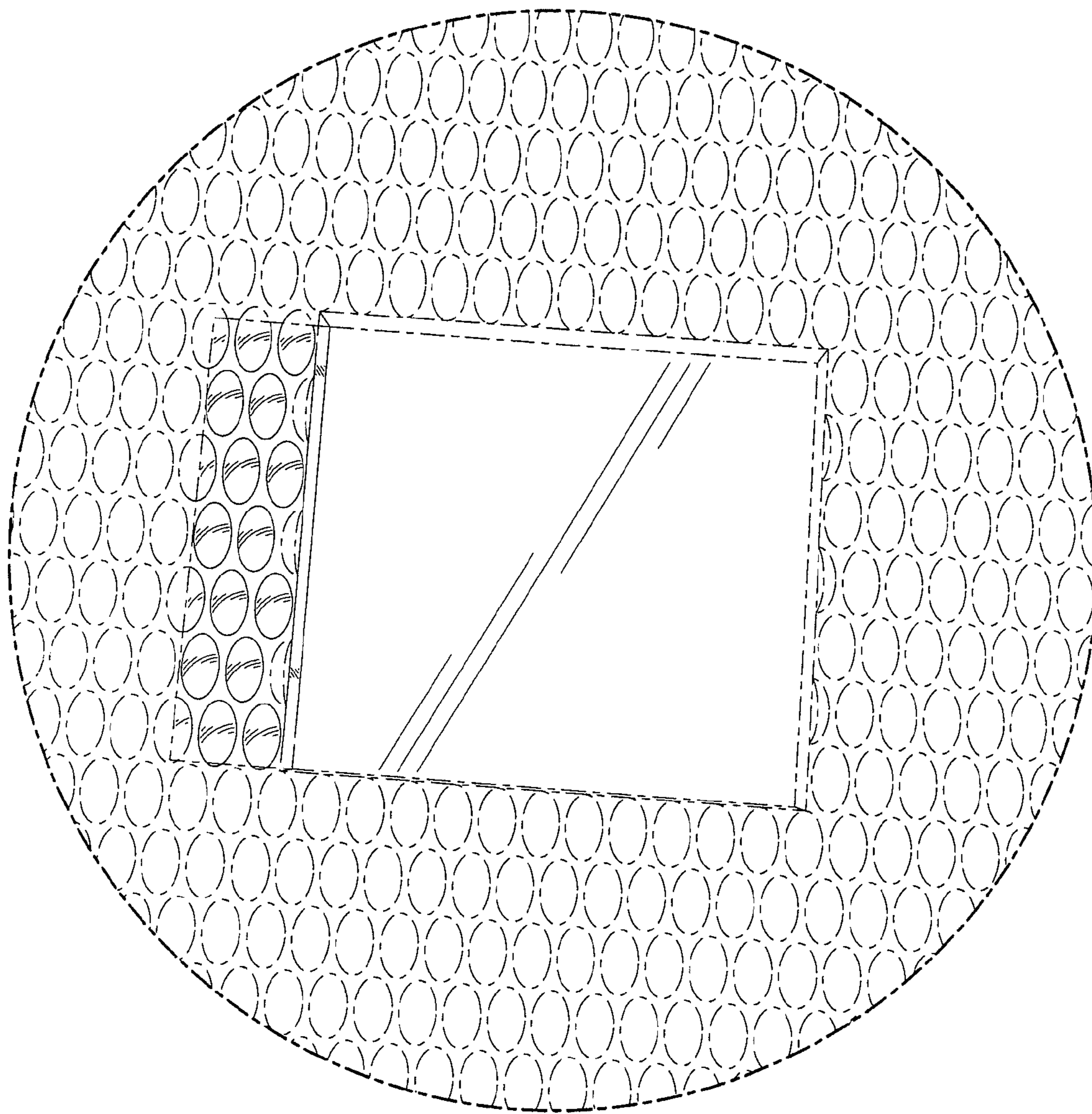


FIG. 2

SEE FIG. 4

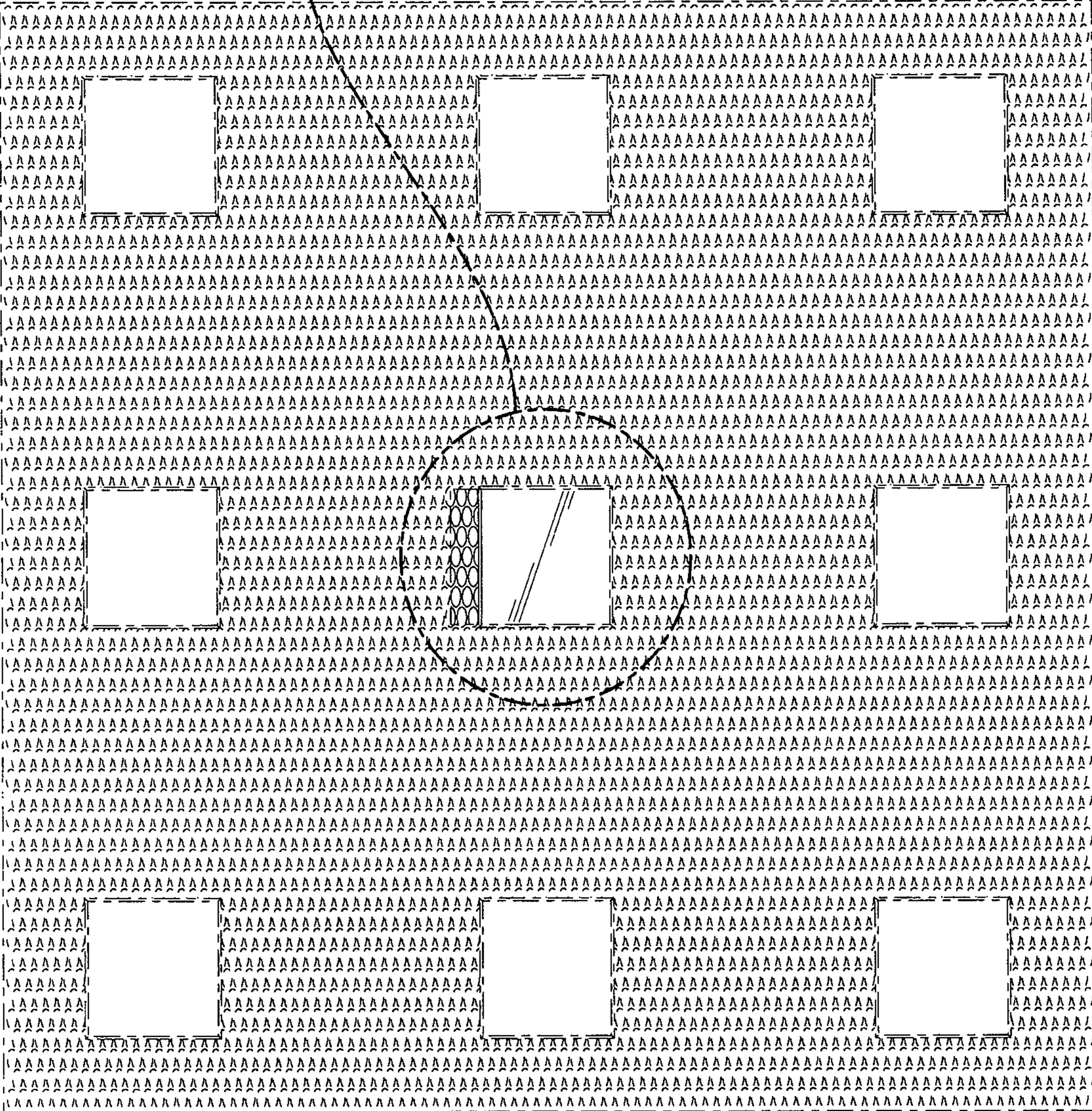


FIG. 3

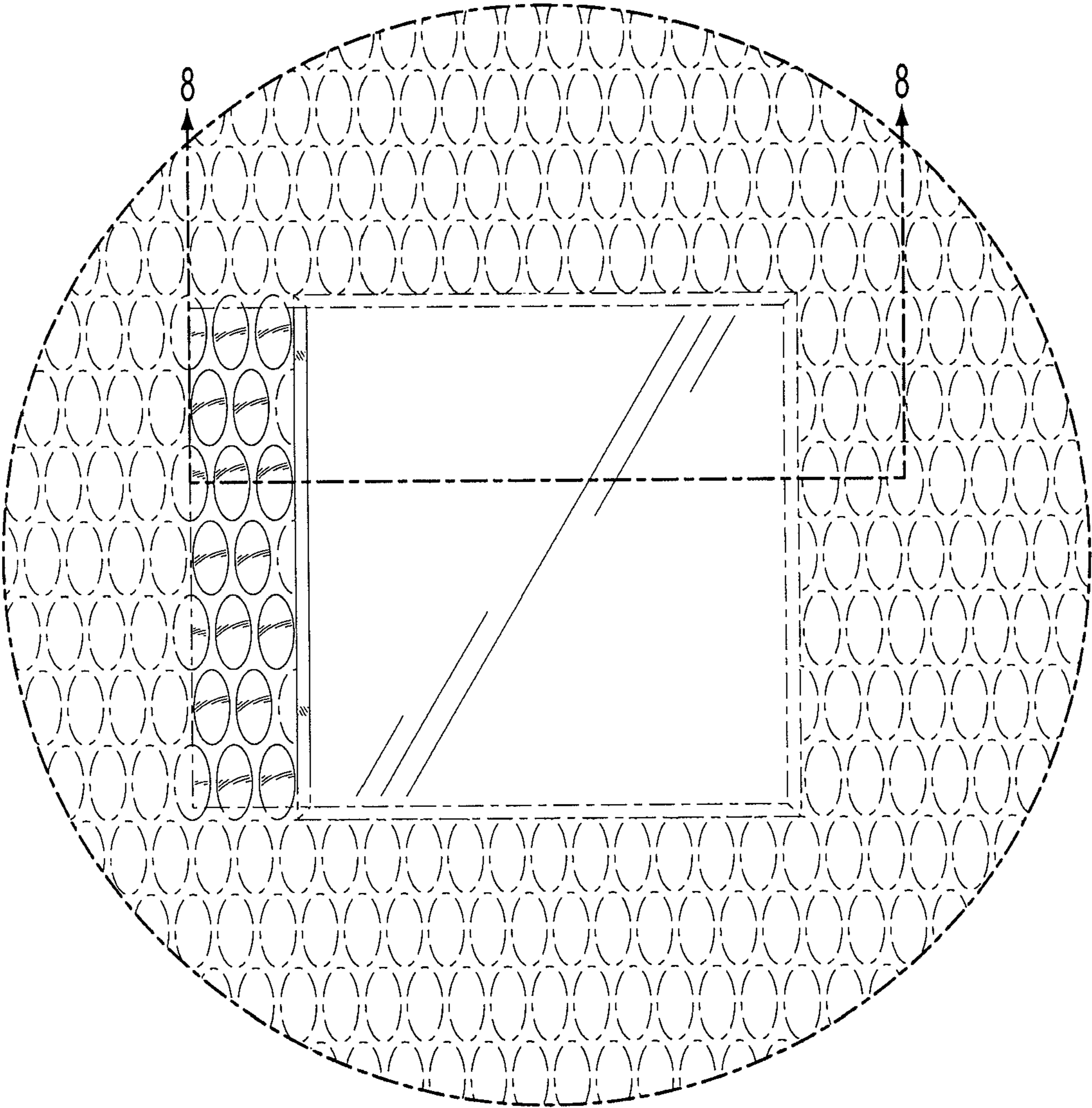


FIG. 4

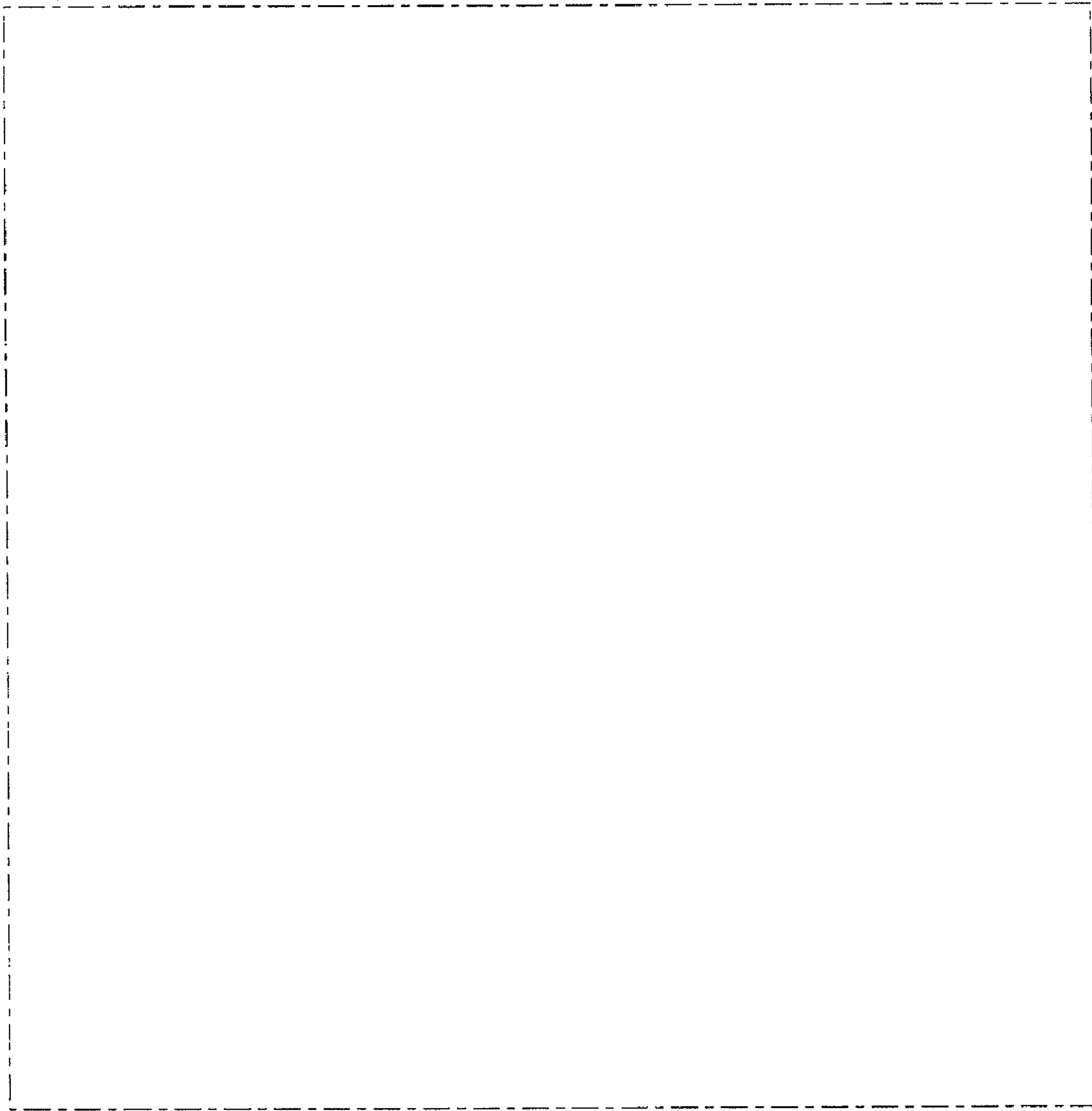


FIG. 5



FIG. 6

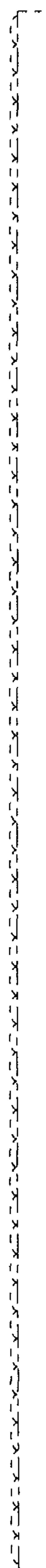


FIG. 7

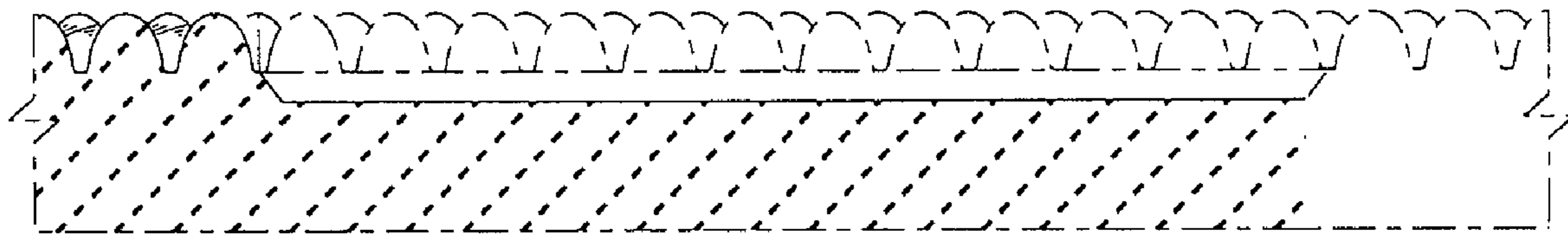
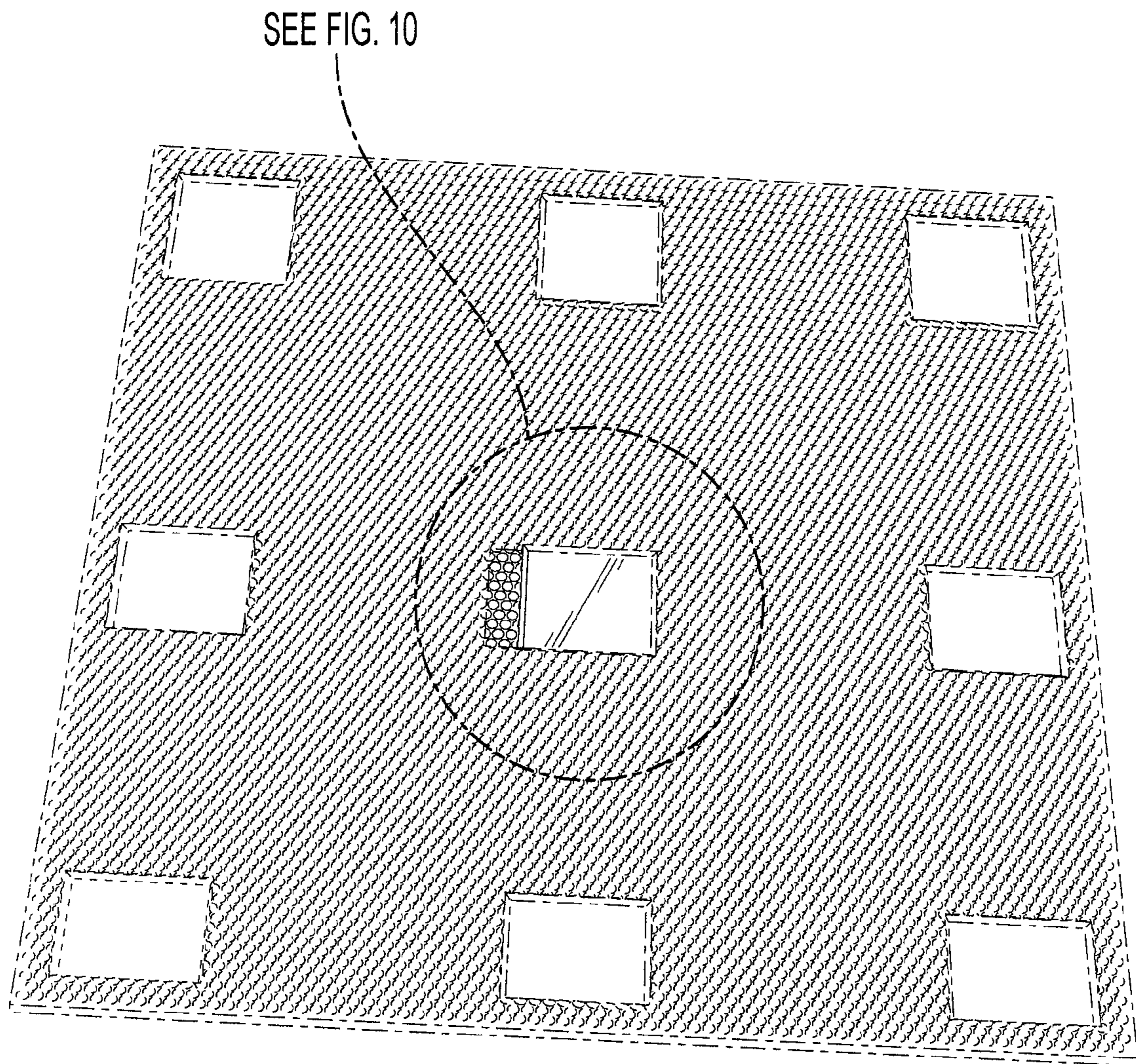


FIG. 8



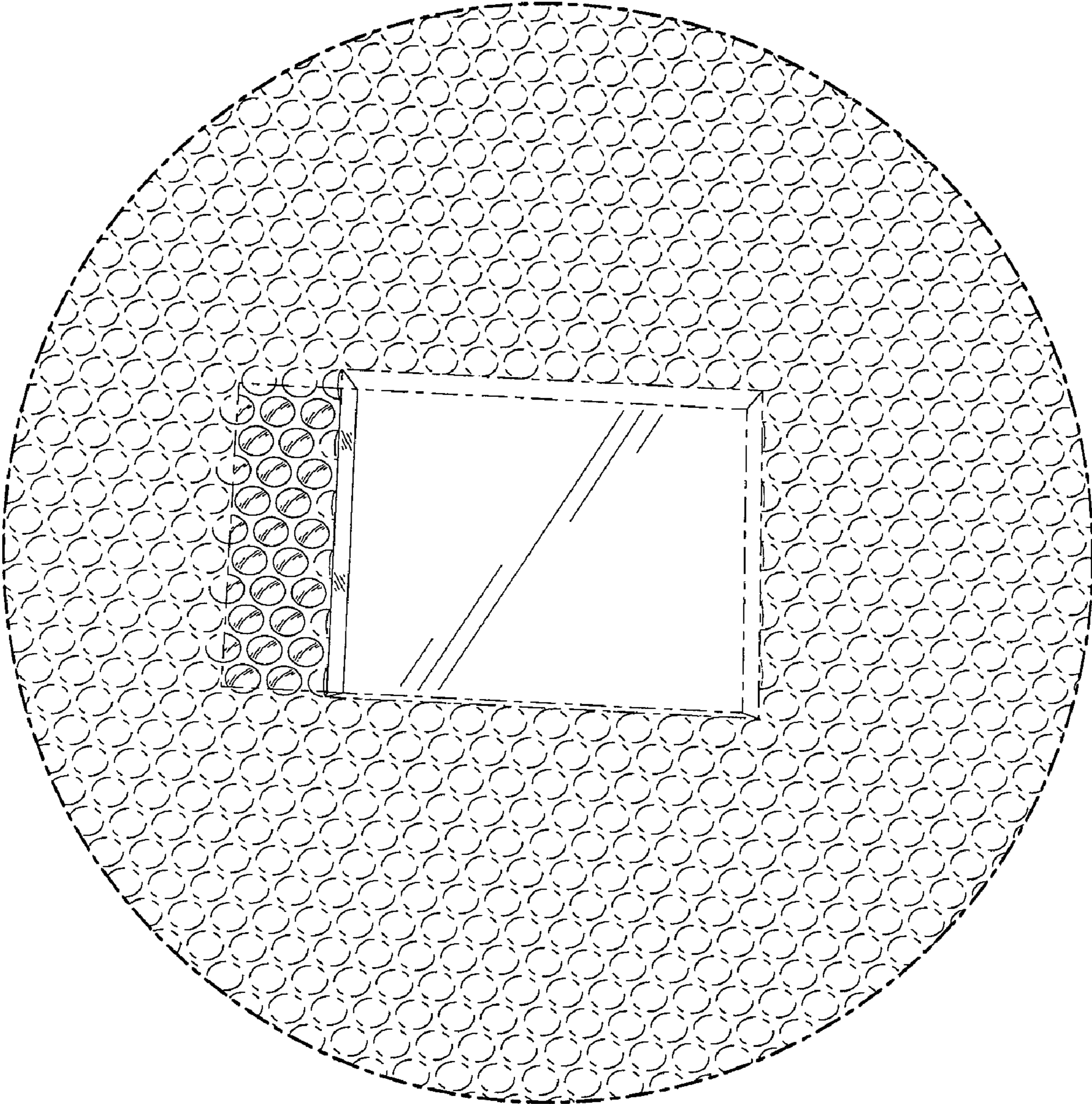


FIG. 10

SEE FIG. 12

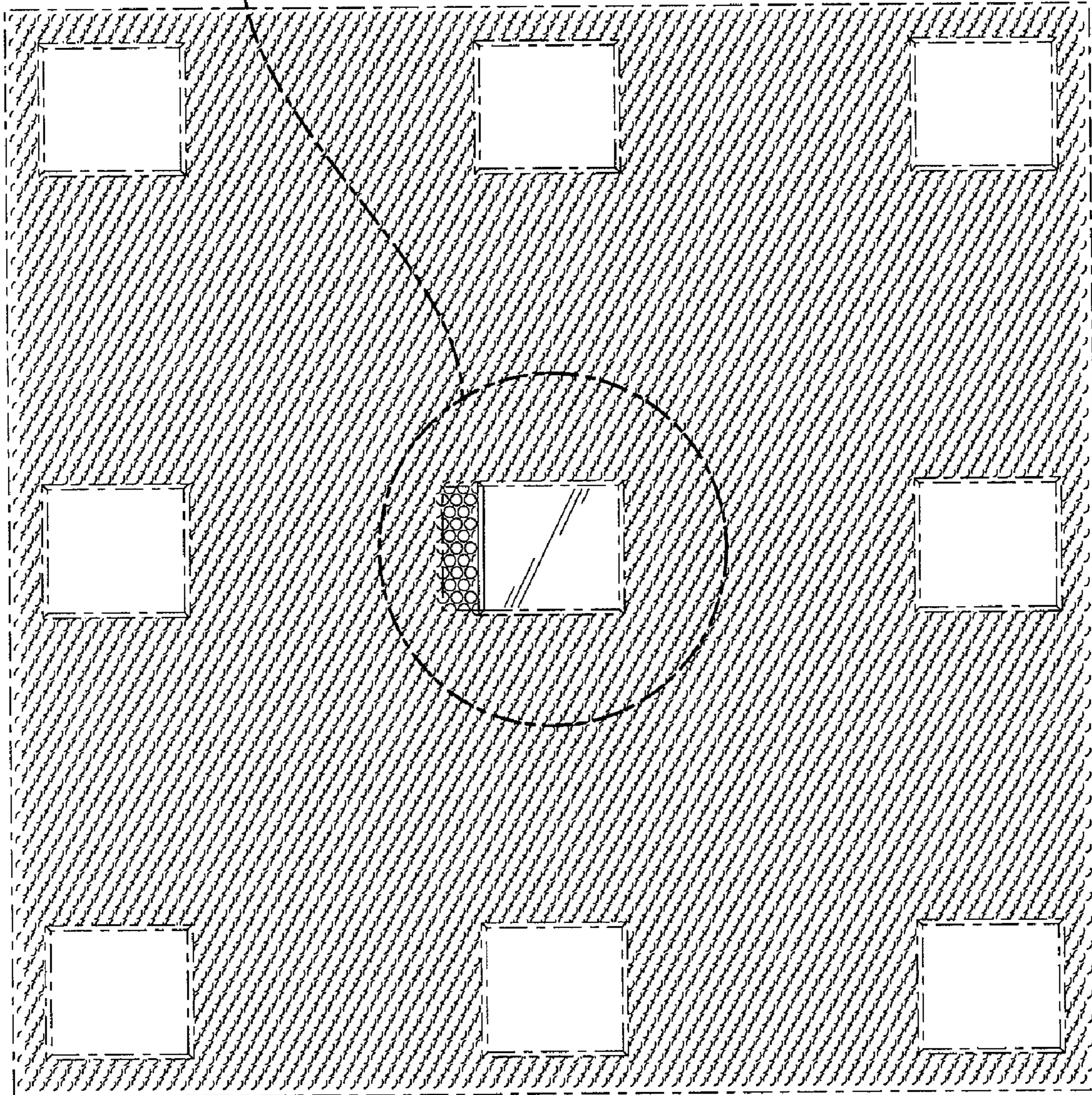


FIG. 11

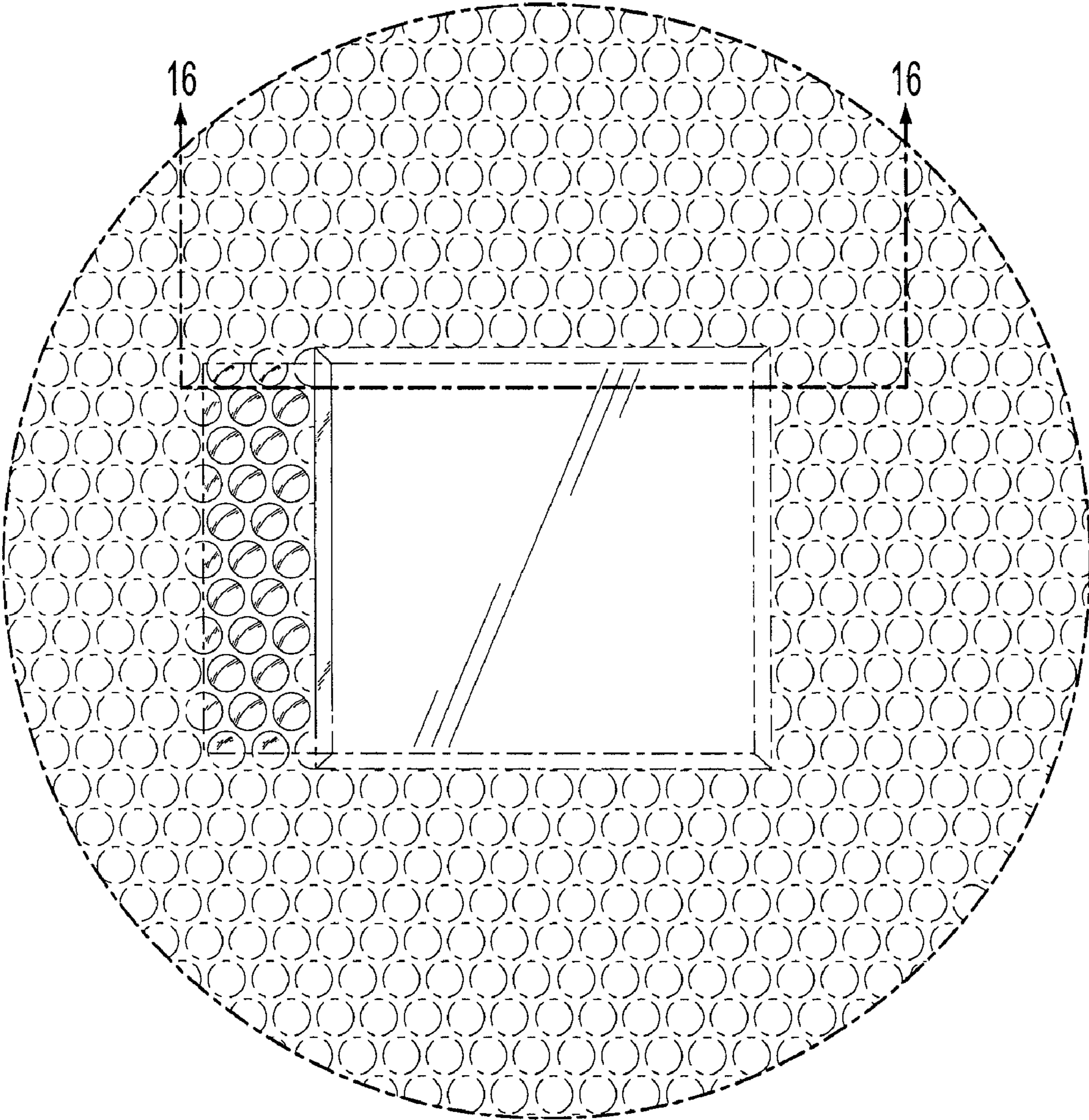


FIG. 12

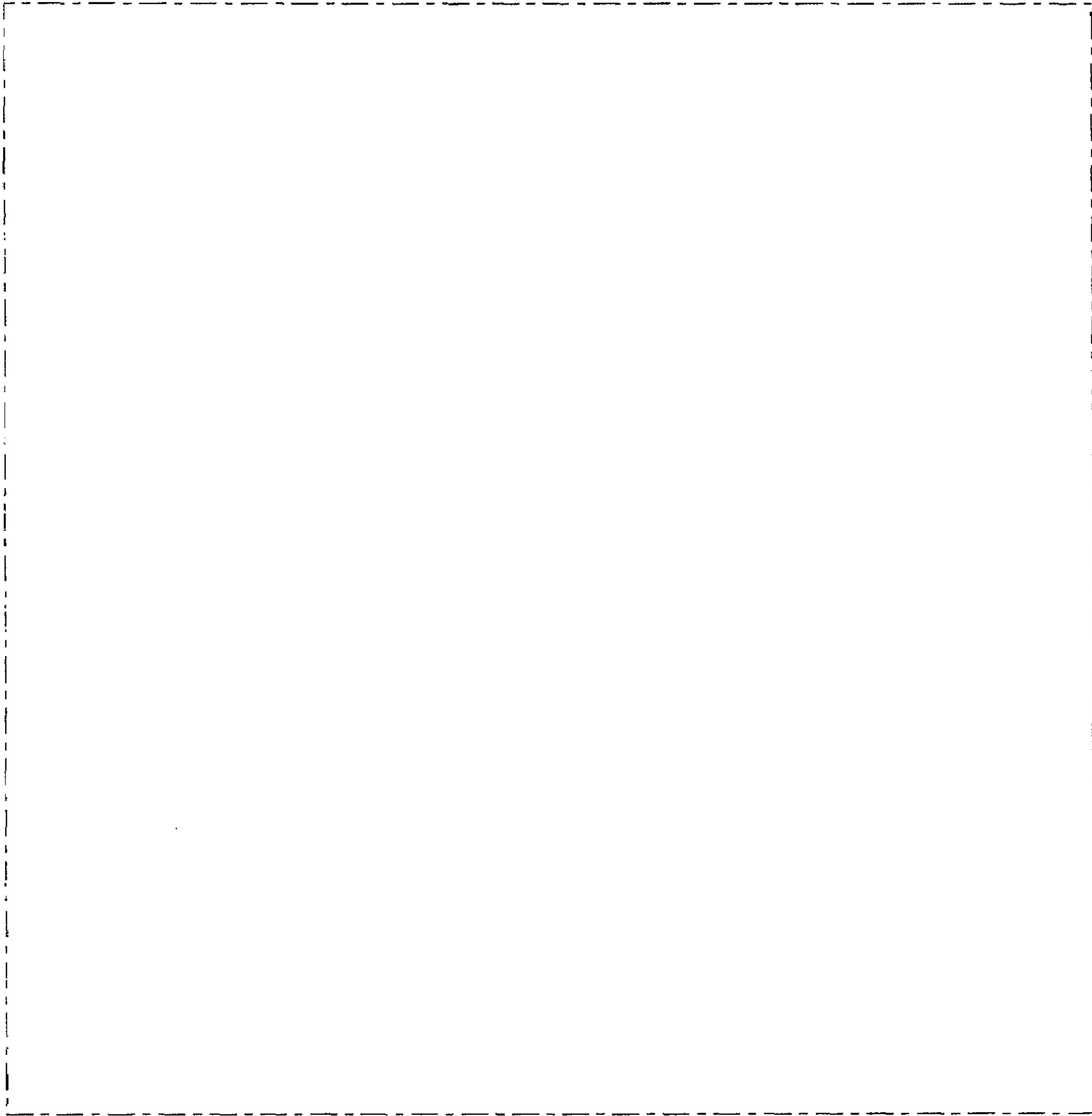


FIG. 13

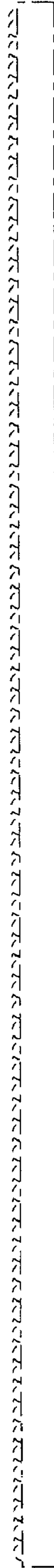


FIG. 14

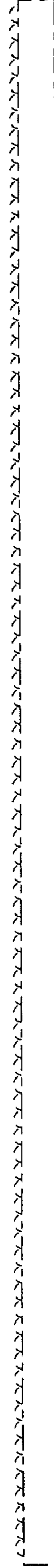


FIG. 15

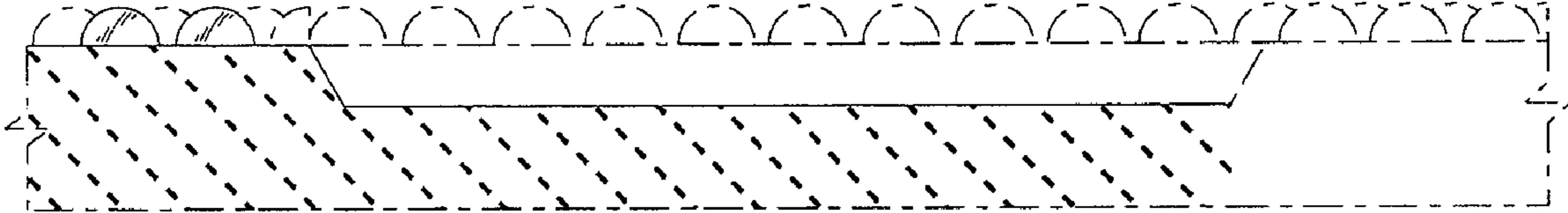


FIG. 16