



US00D612952S

(12) **United States Design Patent**
Balastik

(10) **Patent No.:** **US D612,952 S**
(45) **Date of Patent:** **** Mar. 30, 2010**

(54) **UNIVERSAL TURNSTILE FRAME**

D358,220 S * 5/1995 Detassis D25/51
5,430,974 A * 7/1995 Hering 49/47
6,185,867 B1 * 2/2001 McGuire 49/109

(75) Inventor: **George J. Balastik**, 6520 Temple View
La., Fuquay Varina, NC (US) 27526

* cited by examiner

(73) Assignee: **George J. Balastik**, Fuquay Varina, NC
(US)

Primary Examiner—Doris Clark

(**) Term: **14 Years**

(57) **CLAIM**

(21) Appl. No.: **29/313,556**

The ornamental design for a universal turnstile frame, as shown.

(22) Filed: **Mar. 5, 2009**

DESCRIPTION

(51) **LOC (9) Cl.** **25-02**

FIG. 1 is a perspective view of a universal turnstile showing my new design;

(52) **U.S. Cl.** **D25/51**

FIG. 2 is a front elevation view thereof,

(58) **Field of Classification Search** D25/51;
49/46, 47

FIG. 3 is a side elevation view thereof,

See application file for complete search history.

FIG. 4 is a top plan view thereof; and,

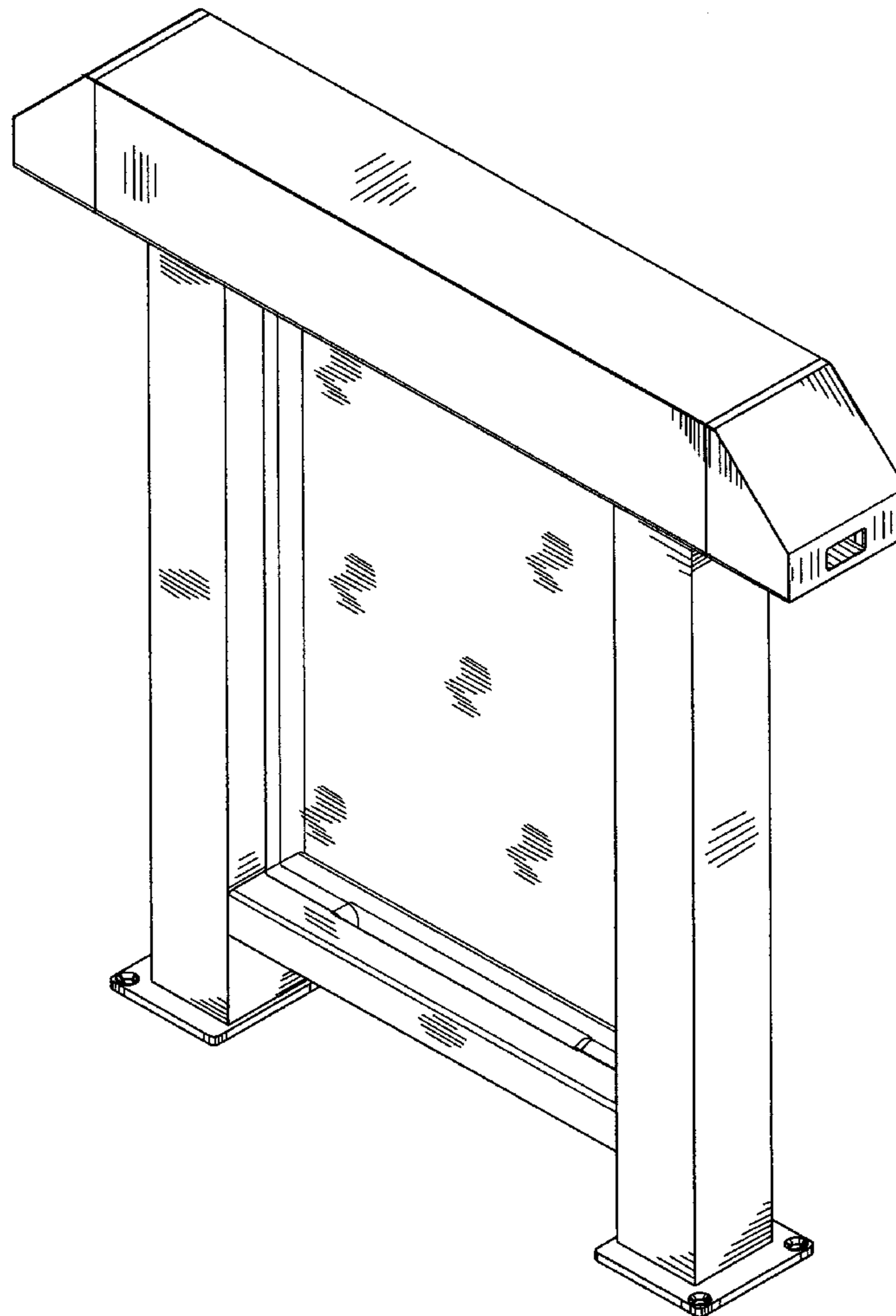
FIG. 5 is a bottom plan view thereof.

(56) **References Cited**

U.S. PATENT DOCUMENTS

D275,796 S * 10/1984 Nishida D25/50

1 Claim, 4 Drawing Sheets



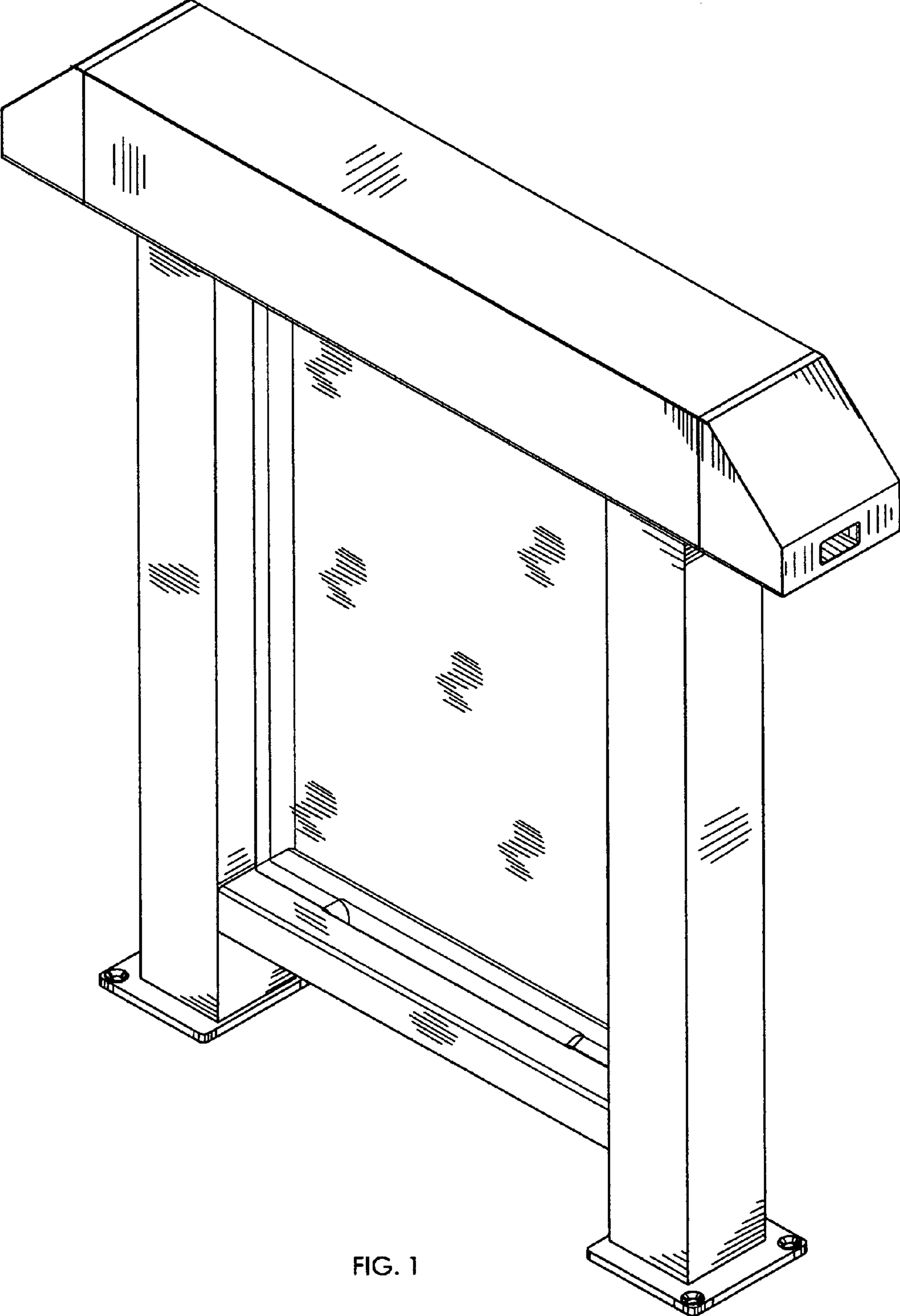


FIG. 1

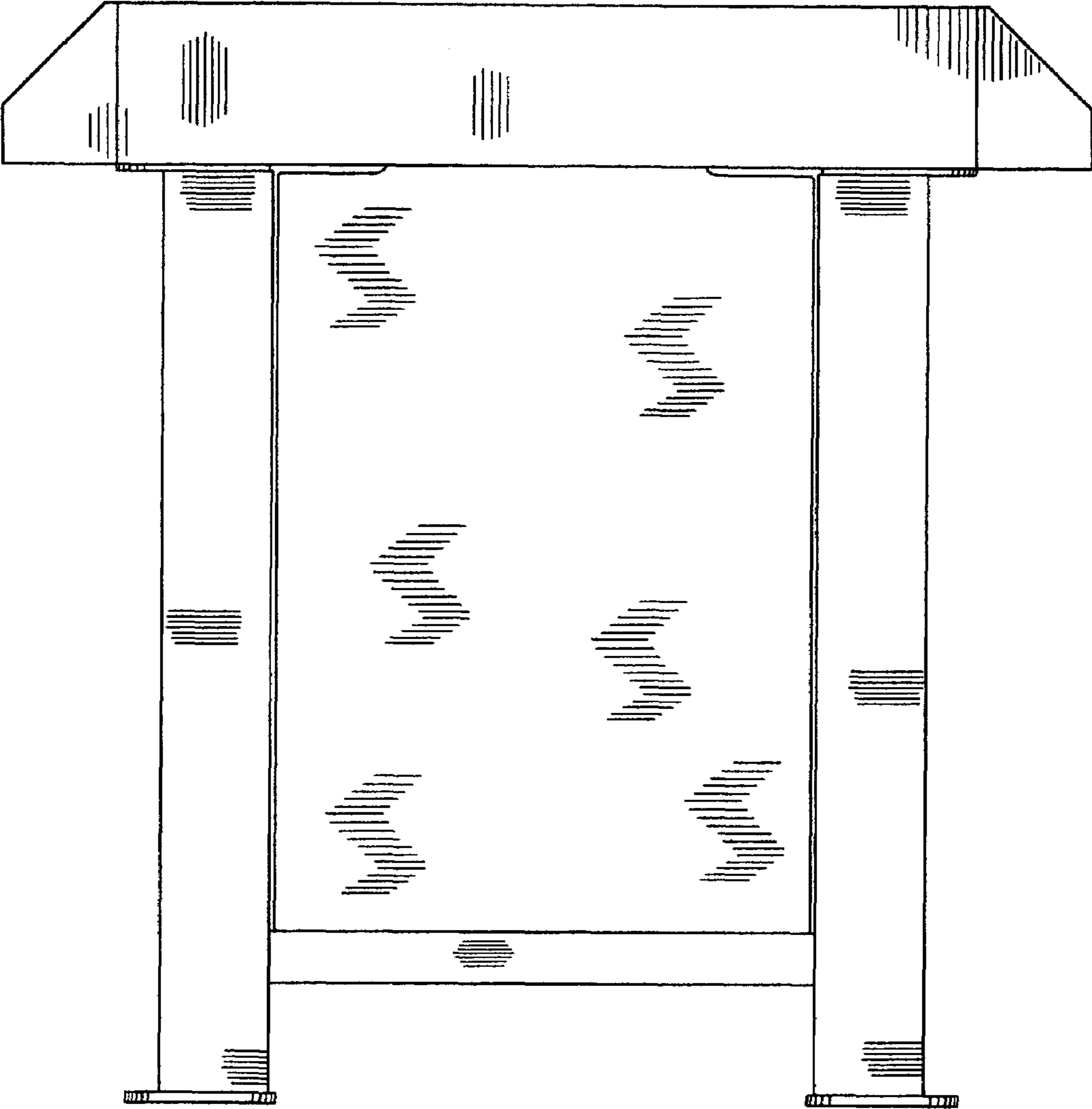


FIG. 2

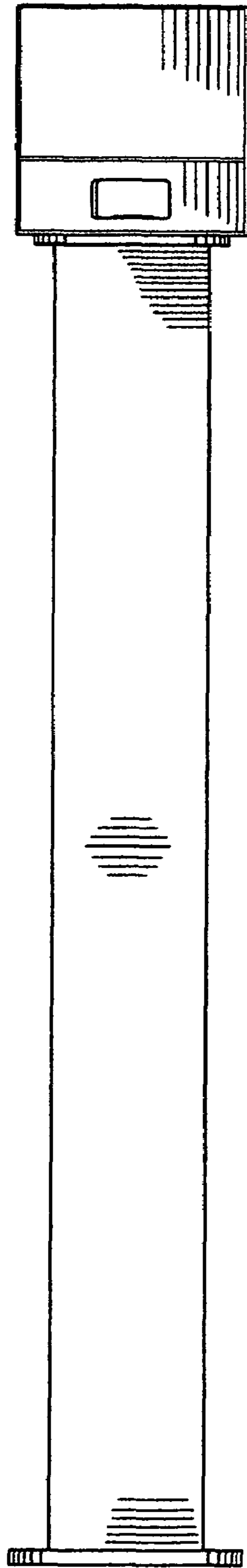


FIG. 3

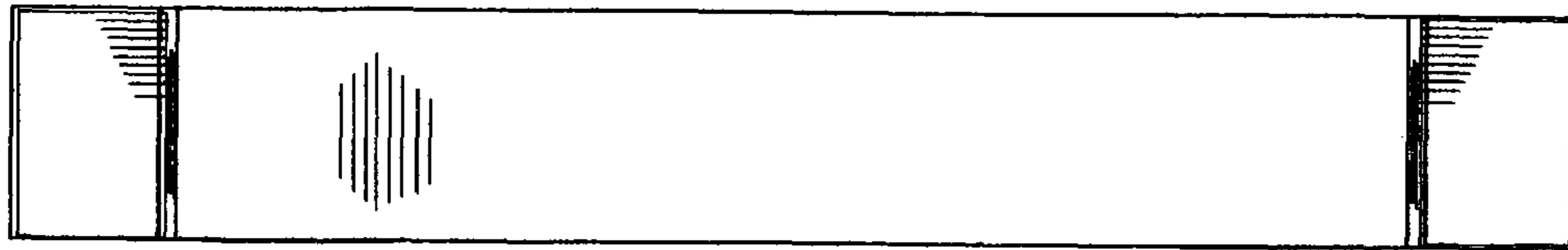


FIG. 4

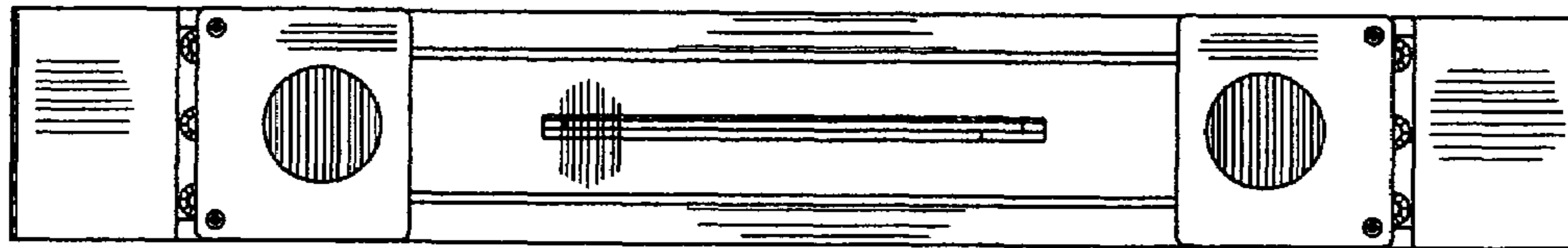


FIG. 5