



US00D612948S

(12) **United States Design Patent**
Fleury et al.

(10) **Patent No.:** **US D612,948 S**
(45) **Date of Patent:** **** Mar. 30, 2010**

(54) **LABORATORY APPARATUS**

(75) Inventors: **Antoine Fleury**, Paris (FR); **Nicolas Regentete**, Paris (FR); **Fabien Deboves**, Rueil Malmaison (FR); **Axel Lehovetzki**, Paris (FR); **Emmanuel Nardin**, Vanves (FR)

(73) Assignee: **Diagnostica Stago**, Asnieres (FR)

(**) Term: **14 Years**

(21) Appl. No.: **29/307,369**

(22) Filed: **Apr. 15, 2008**

(30) **Foreign Application Priority Data**

Oct. 15, 2007 (EM) 000807763

(51) **LOC (9) Cl.** **24-01**

(52) **U.S. Cl.** **D24/216; D24/232**

(58) **Field of Classification Search** D24/107, D24/169, 186, 216, 231-234; 600/300, 301, 600/368, 372, 481, 529, 544, 554, 561; 607/4, 607/5, 9, 30; D10/70, 81; D13/162
See application file for complete search history.

(56) **References Cited**

U.S. PATENT DOCUMENTS

D307,321 S * 4/1990 Bransky et al. D24/186
D378,782 S * 4/1997 LaBarbera et al. D24/231
D399,959 S * 10/1998 Prokop et al. D24/169
D410,080 S * 5/1999 Heidsiek et al. D24/107
D421,653 S * 3/2000 Purcell D24/216
D424,956 S * 5/2000 von Buelow et al. D10/81
D437,795 S * 2/2001 Fischer D10/70
D489,816 S * 5/2004 Ross D24/107

D515,707 S * 2/2006 Shinohara et al. D24/232
D537,951 S * 3/2007 Okamoto et al. D24/233
D549,827 S * 8/2007 Maeno et al. D24/169
D554,070 S * 10/2007 Bolotin et al. D13/162
D556,914 S * 12/2007 Okamoto et al. D24/233
D560,131 S * 1/2008 Hu D10/81
D569,526 S * 5/2008 Duffy et al. D24/232
D571,474 S * 6/2008 Sjo-Gaber et al. D24/186
D590,507 S * 4/2009 Krishnan D24/186
D598,129 S * 8/2009 Tsukuda et al. D24/234
D598,567 S * 8/2009 Tsukuda et al. D24/234
D599,234 S * 9/2009 Ito D10/81

* cited by examiner

Primary Examiner—T. Chase Nelson

Assistant Examiner—Mark Cavanna

(74) *Attorney, Agent, or Firm*—Abelman, Frayne & Schwab

(57) **CLAIM**

The ornamental design of a laboratory apparatus, as shown and described.

DESCRIPTION

FIG. 1 is a front, left and top side perspective view of an embodiment of the laboratory apparatus showing the new design;

FIG. 2 is a top plan view thereof;

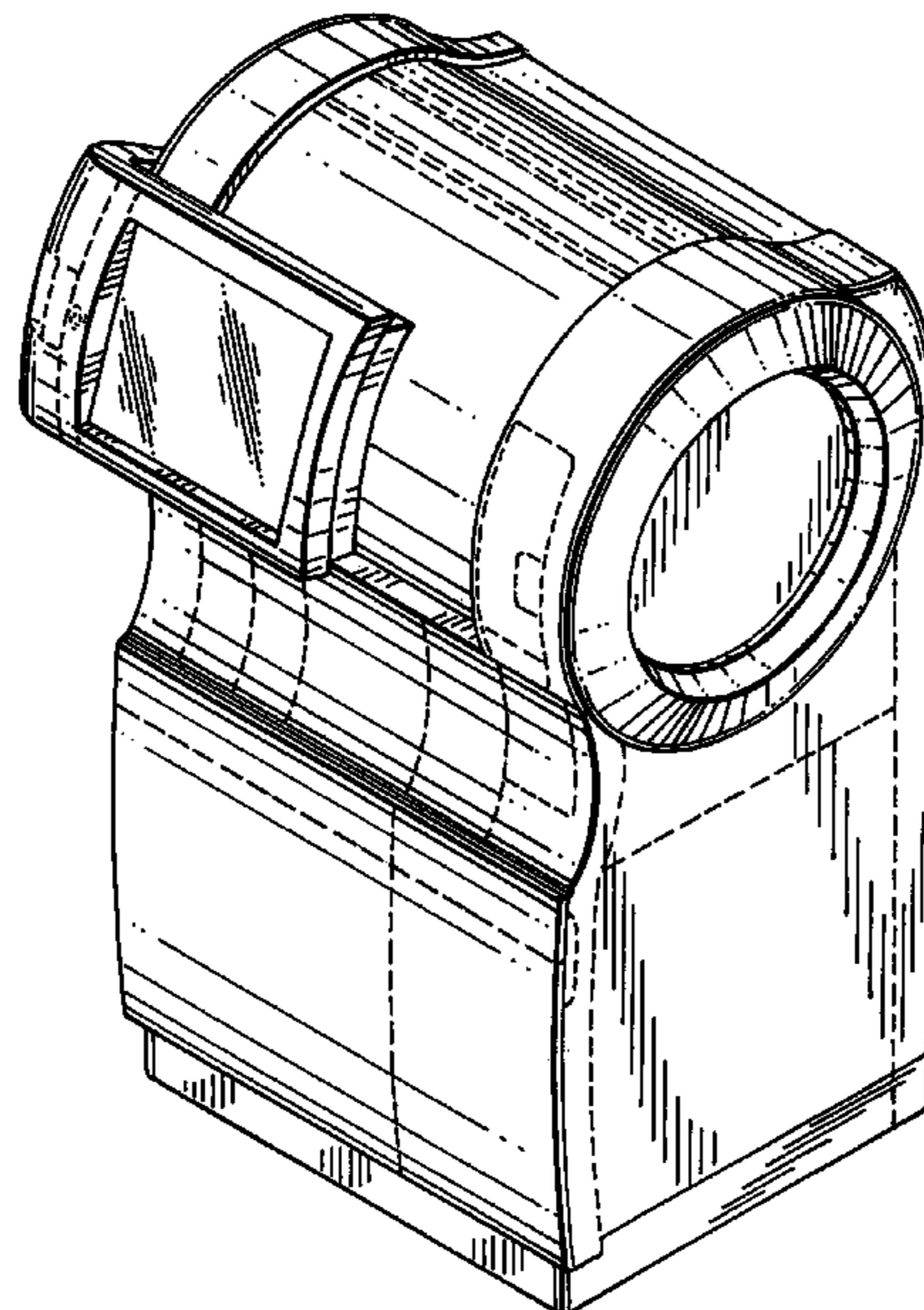
FIG. 3 is a front elevational view thereof;

FIG. 4 is a right side elevational view thereof; and,

FIG. 5 is a left side elevational view thereof.

The broken lines are included for the purpose of illustrating portions of the laboratory apparatus that form no part of the claimed design.

1 Claim, 5 Drawing Sheets



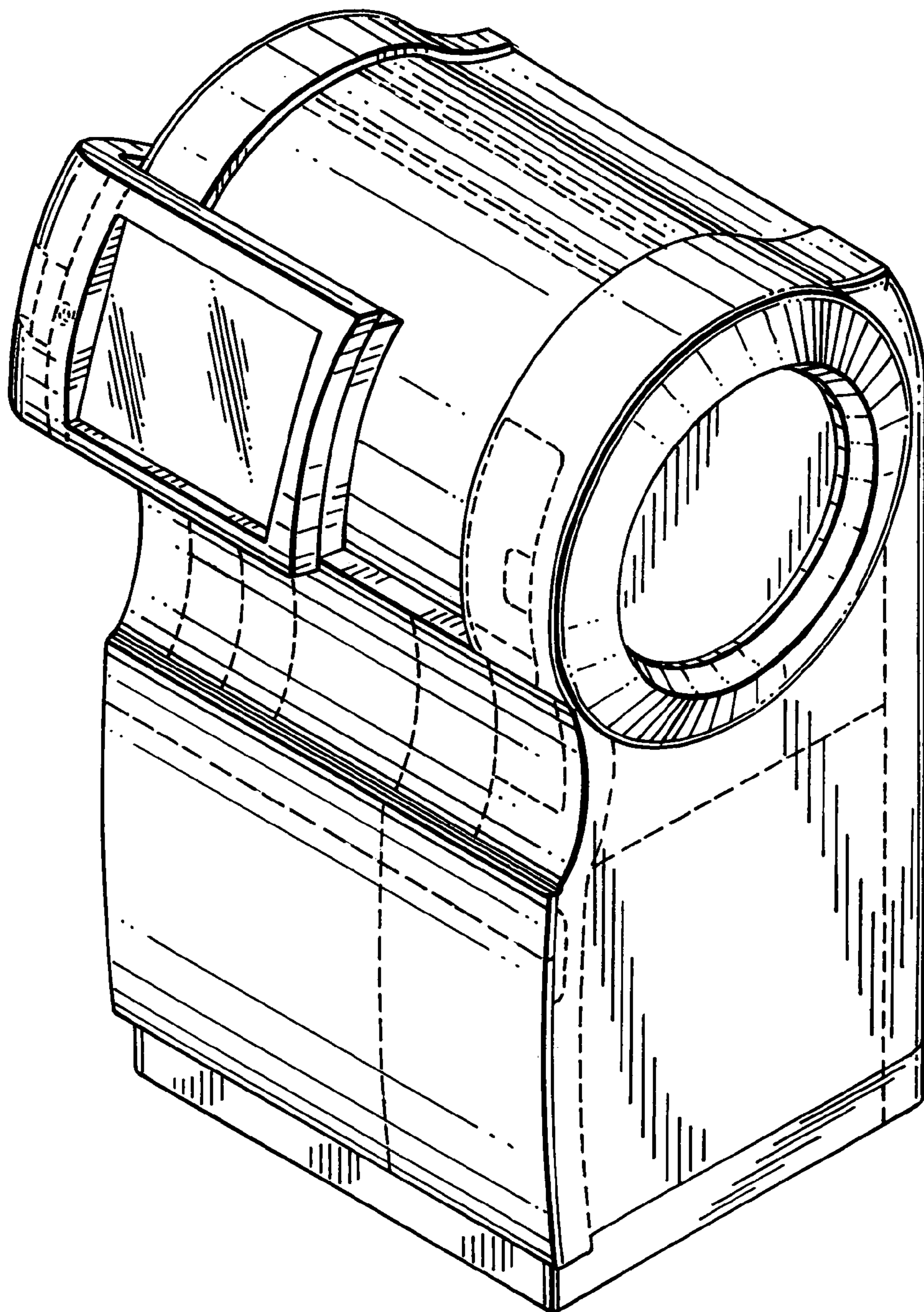


FIG. 1

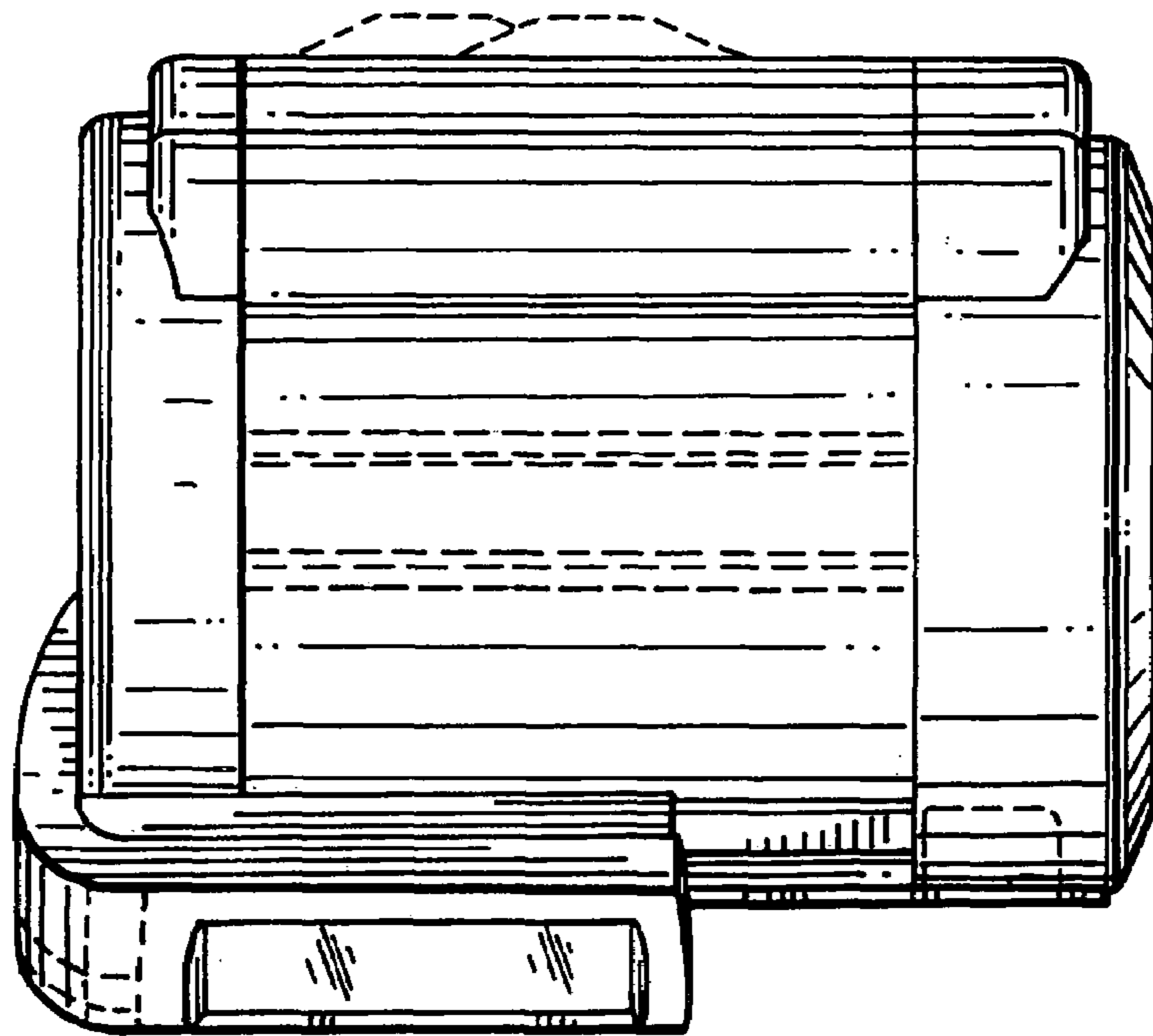


FIG. 2

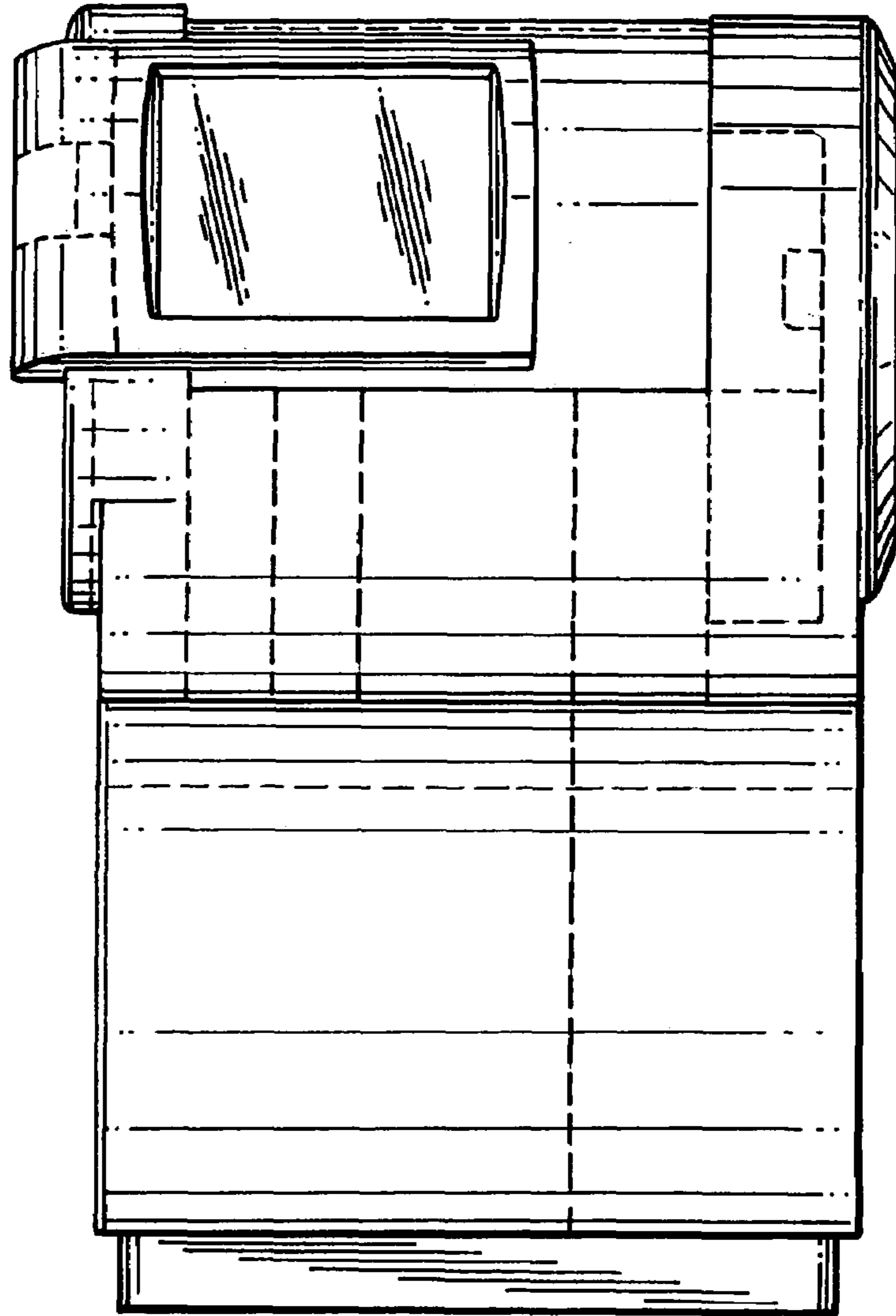


FIG. 3

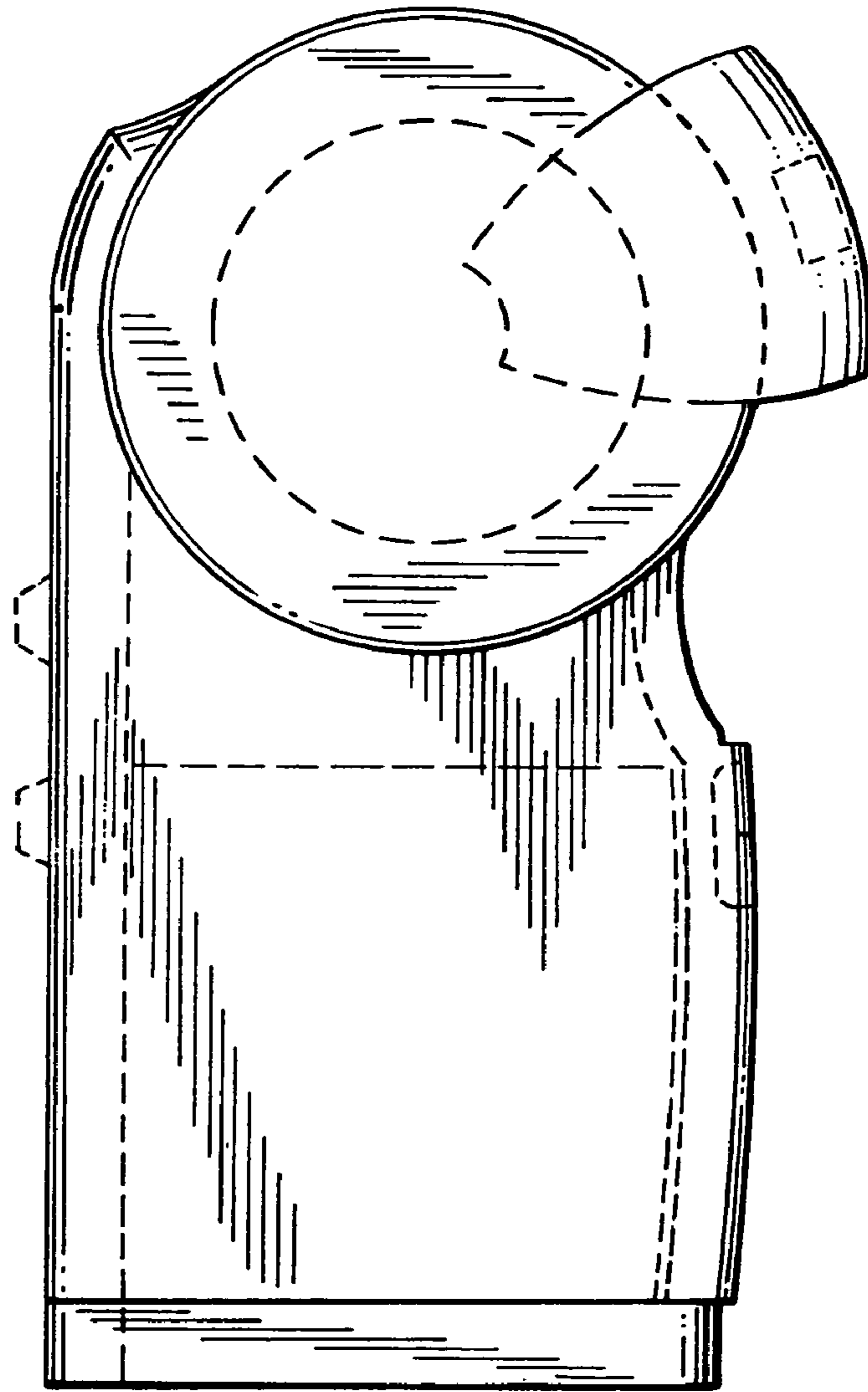


FIG. 4

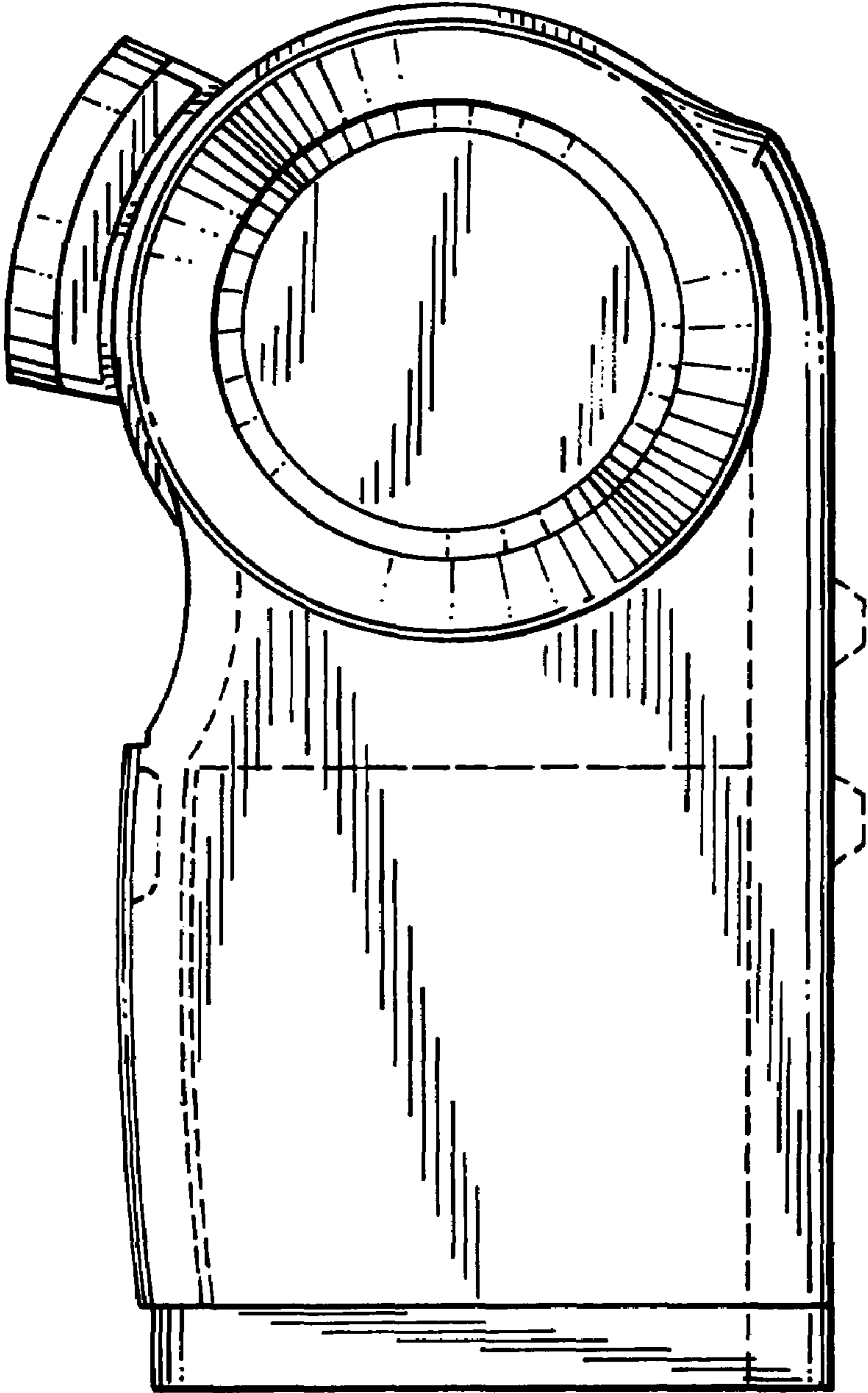


FIG. 5