



US00D612947S

(12) **United States Design Patent**
Turtzo et al.

(10) **Patent No.:** **US D612,947 S**
(45) **Date of Patent:** **** Mar. 30, 2010**

(54) **DEVICE FOR TREATMENT OF LEG AND FOOT PAIN**

7,044,924 B1 * 5/2006 Roth et al. 601/151
D578,652 S * 10/2008 Tabron et al. D24/192
2002/0019657 A1 * 2/2002 Elkins 607/111

(75) Inventors: **Craig Turtzo**, Tarpon Springs, FL (US);
Thomas Leuci, Palm Harbor, FL (US)

* cited by examiner

(73) Assignee: **Anodyne Therapy, L.L.C.**, Tampa, FL (US)

Primary Examiner—Cathron C Brooks

Assistant Examiner—Melanie Levy

(**) Term: **14 Years**

(74) *Attorney, Agent, or Firm*—Larson & Larson, P.A.; Frank Liebenow

(21) Appl. No.: **29/350,723**

(57) **CLAIM**

(22) Filed: **Nov. 23, 2009**

I claim the ornamental design for a device for treatment of leg and foot pain, as shown and described.

(51) **LOC (9) Cl.** **28-03**

(52) **U.S. Cl.** **D24/206; D24/215**

(58) **Field of Classification Search** D24/206,
D24/207, 190, 192, 200, 211–215; 607/108,
607/111, 109, 114, 98, 110; 602/14, 61,
602/62

DESCRIPTION

See application file for complete search history.

FIG. 1 is a front elevation view of the device for treatment of leg and foot pain showing my novel design;

FIG. 2 is a rear elevation view thereof;

FIG. 3 is a left side view thereof;

FIG. 4 is a right side view thereof;

FIG. 5 is a top plan view thereof;

FIG. 6 is a bottom plan view thereof; and,

FIG. 7 is a perspective view thereof.

The broken lines shown in FIG. 7 are an illustration of typical body parts onto which the device for treatment of leg and foot pain is applied and form no part of the claimed design.

(56) **References Cited**

U.S. PATENT DOCUMENTS

4,624,244 A * 11/1986 Taheri 601/152
5,577,998 A * 11/1996 Johnson et al. 602/5
6,203,510 B1 * 3/2001 Takeuchi et al. 601/152
D477,413 S * 7/2003 Schirmacher D24/206
6,589,194 B1 * 7/2003 Calderon et al. 601/151
D500,855 S * 1/2005 Pick et al. D24/192
D505,727 S * 5/2005 Krahner et al. D24/206

1 Claim, 5 Drawing Sheets

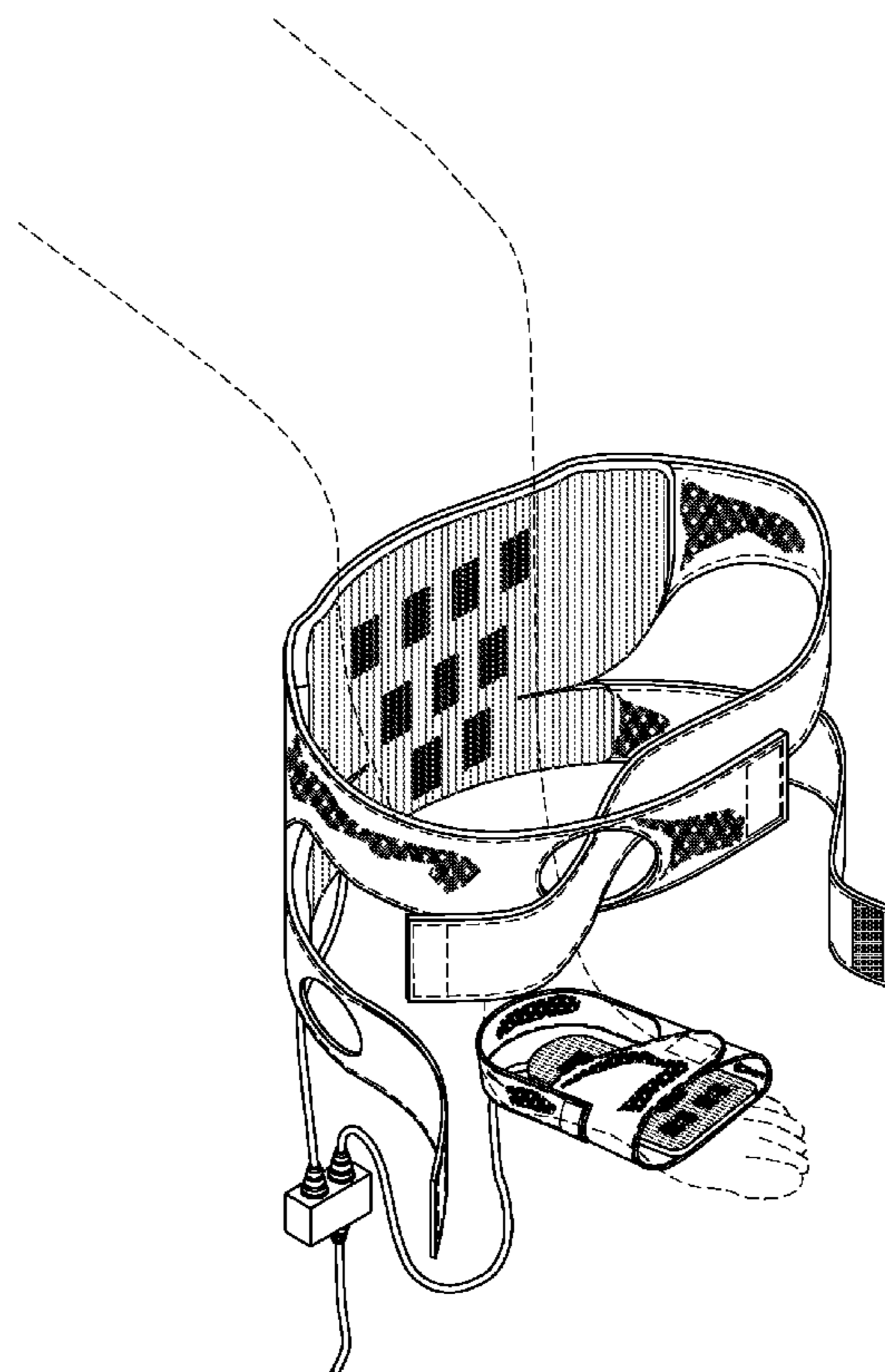


FIG. 1

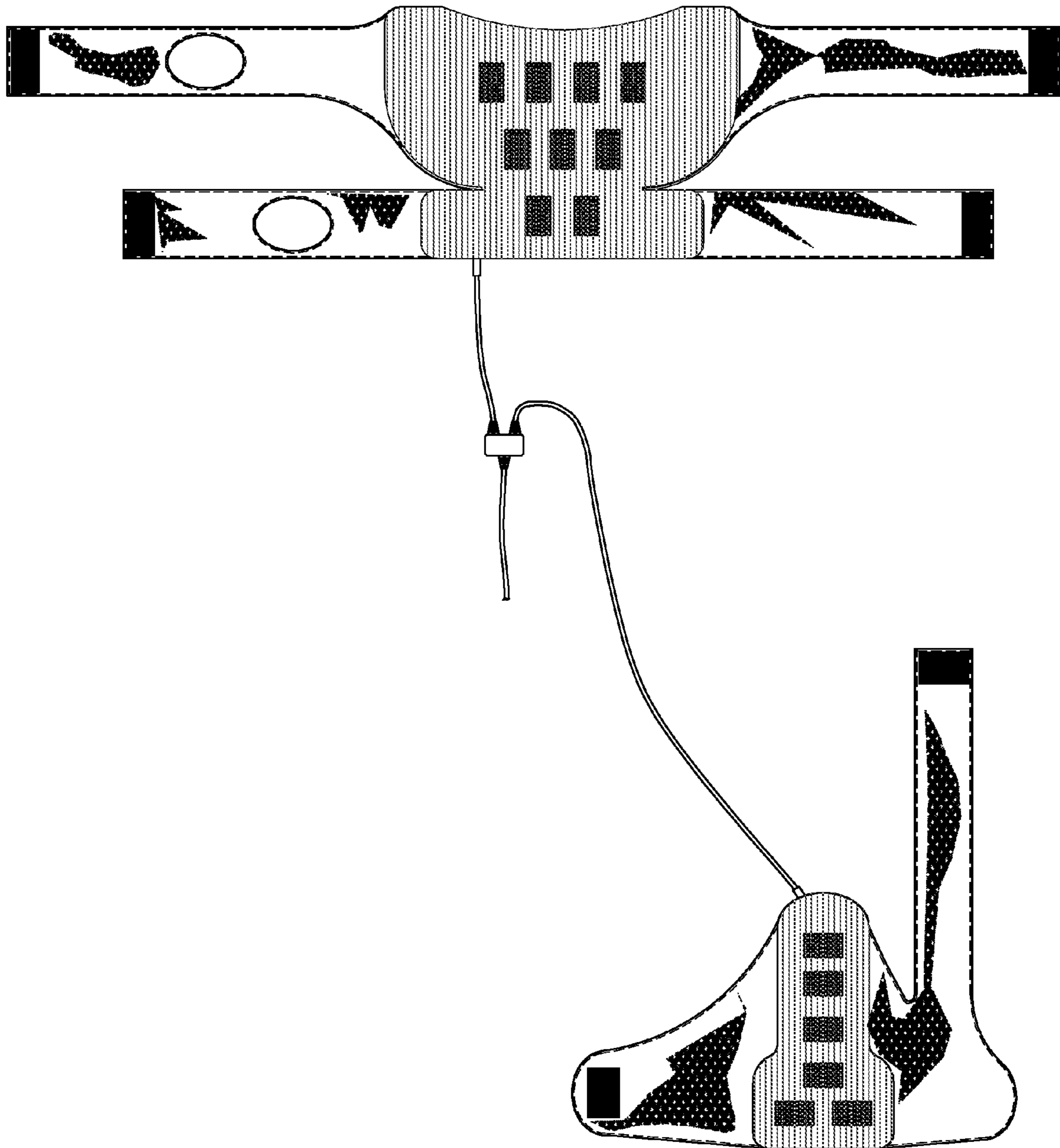
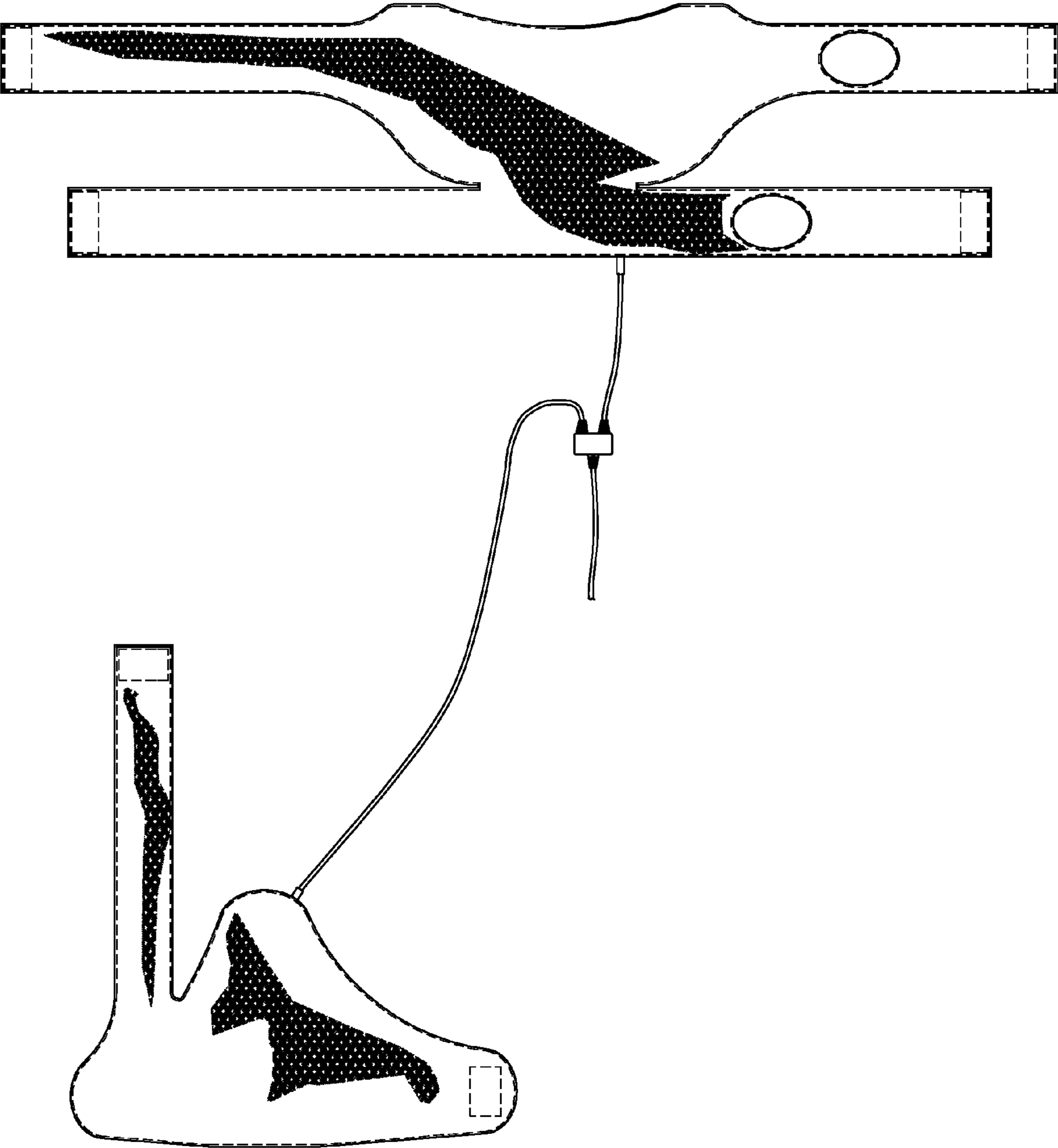


FIG. 2



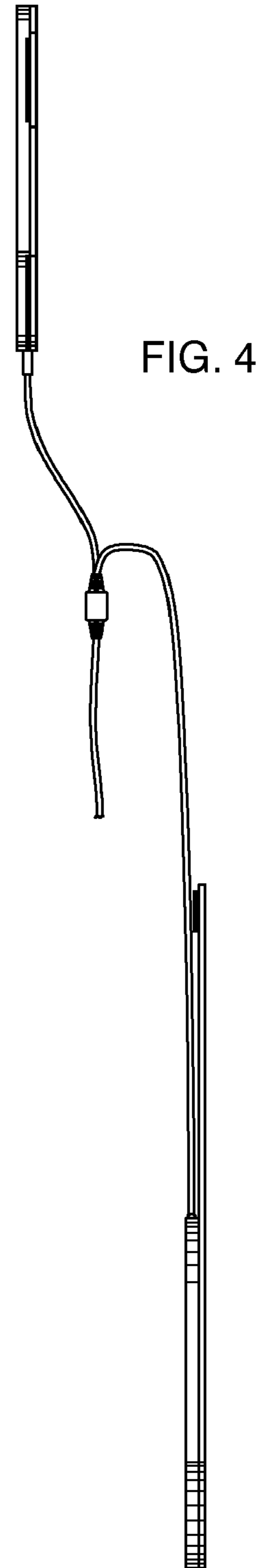
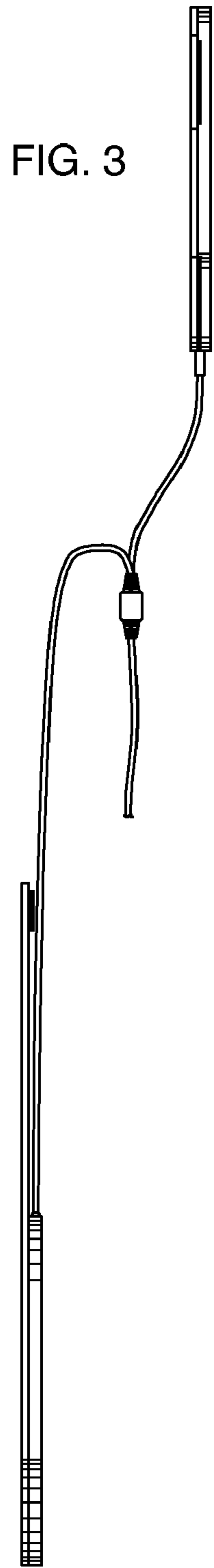


FIG. 5

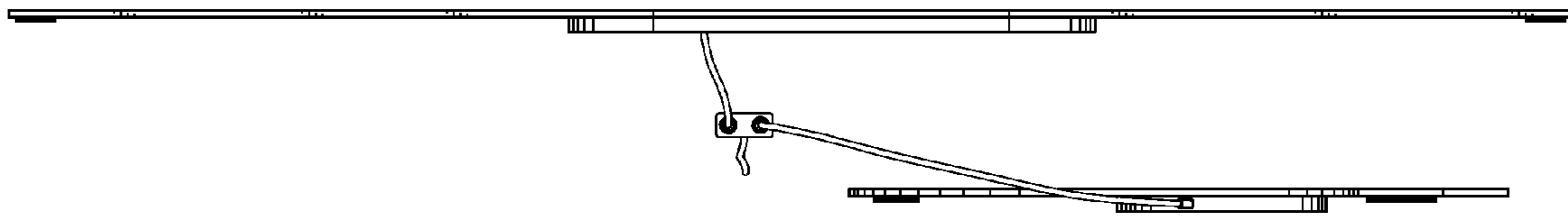


FIG. 6

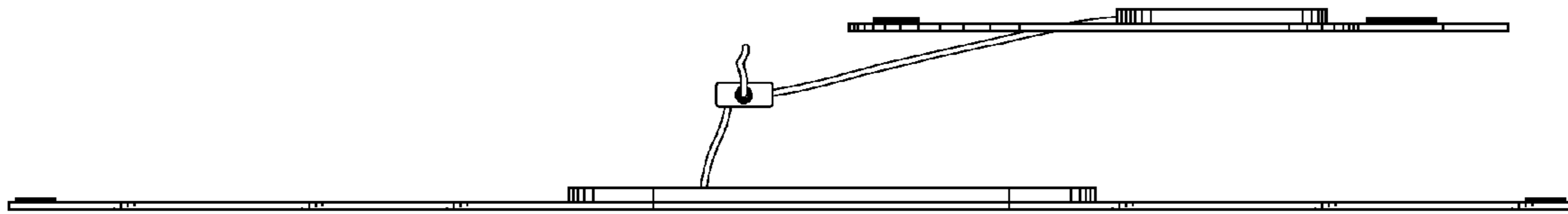


FIG. 7

