



US00D612943S

(12) **United States Design Patent**
Bailey et al.

(10) **Patent No.:** **US D612,943 S**

(45) **Date of Patent:** **** *Mar. 30, 2010**

(54) **HEARING AID FOR A RIGHT EAR**

(75) Inventors: **John Bailey**, Crawley (GB); **Mo Choong Marie Chan**, Singapore (SG); **Ju Lin Teo**, Singapore (SG)

(73) Assignee: **Siemens Medical Instruments Pte. Ltd.**, Singapore (SG)

(*) Notice: This patent is subject to a terminal disclaimer.

(**) Term: **14 Years**

(21) Appl. No.: **29/310,202**

(22) Filed: **Jul. 31, 2008**

(51) **LOC (9) Cl.** **24-99**

(52) **U.S. Cl.** **D24/174**

(58) **Field of Classification Search** D24/173-175,
D24/182, 106; D14/205, 223, 224, 249;
381/23.1, 312, 322, 323, 324, 328, 329, 330,
381/380, 381; 181/129, 130, 134, 135, 137
See application file for complete search history.

(56) **References Cited**

U.S. PATENT DOCUMENTS

D411,885 S * 7/1999 Mavrakis et al. D24/174

D506,258 S * 6/2005 Nielsen D24/174
D532,110 S * 11/2006 Bailey et al. D24/174
D532,111 S * 11/2006 Espersen D24/174
D541,420 S * 4/2007 Darbut et al. D24/174
D558,880 S * 1/2008 Le D24/174
D568,480 S * 5/2008 Lockenwitz D24/174
D579,567 S * 10/2008 Pedersen D24/174

* cited by examiner

Primary Examiner—T. Chase Nelson
Assistant Examiner—Anhdao Doan

(57) **CLAIM**

We claim the ornamental design for a hearing aid for a right ear, as shown and described.

DESCRIPTION

FIG. 1 is a front view of the hearing aid for a right ear;
FIG. 2 is a rear view of the hearing aid for a right ear;
FIG. 3 is a left side view of the hearing aid for a right ear;
FIG. 4 is a right side view of the hearing aid for a right ear;
FIG. 5 is a top view of the hearing aid for a right ear;
FIG. 6 is a bottom view of the hearing aid for a right ear; and,
FIG. 7 is a perspective view of the hearing aid for a right ear.

1 Claim, 7 Drawing Sheets

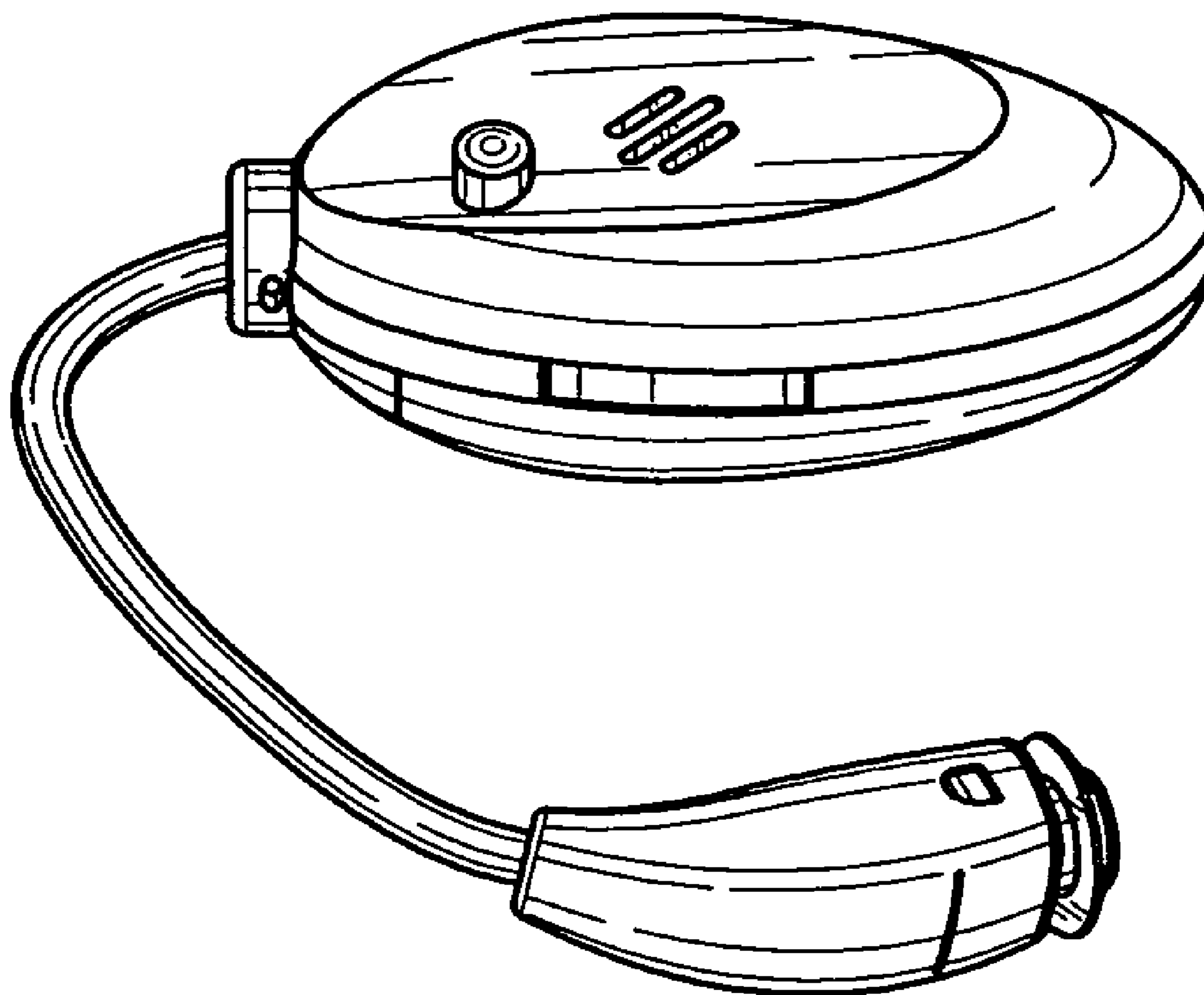


FIG 1

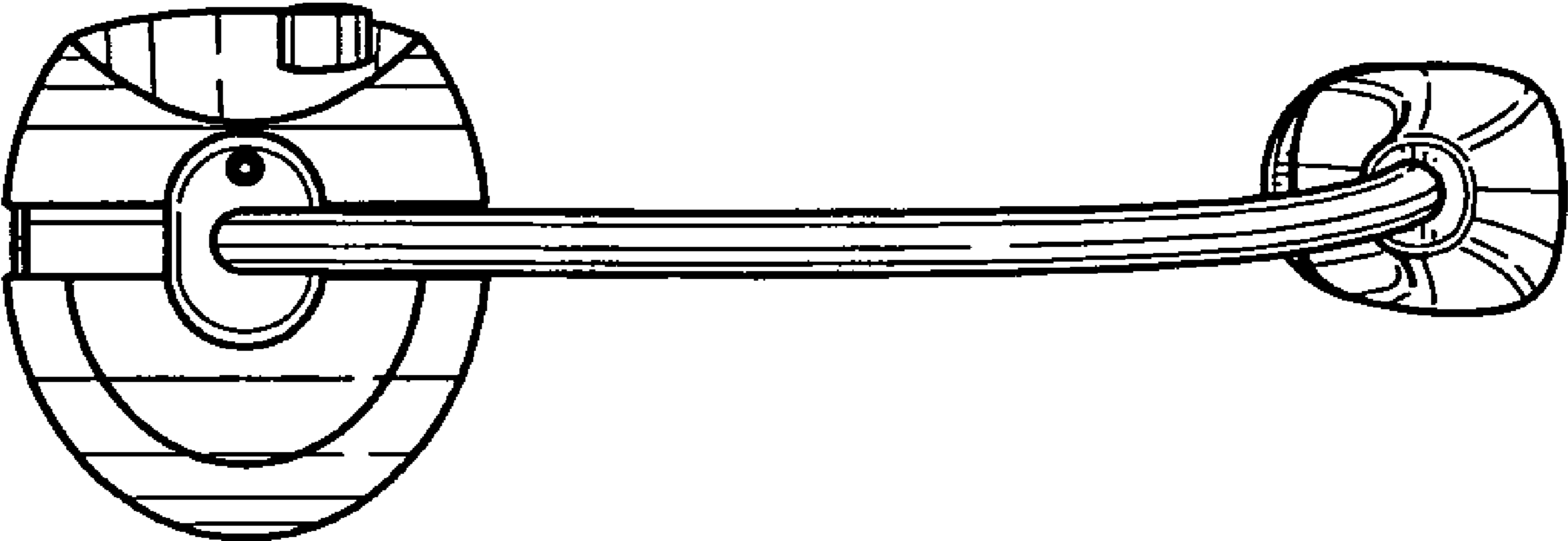


FIG 2

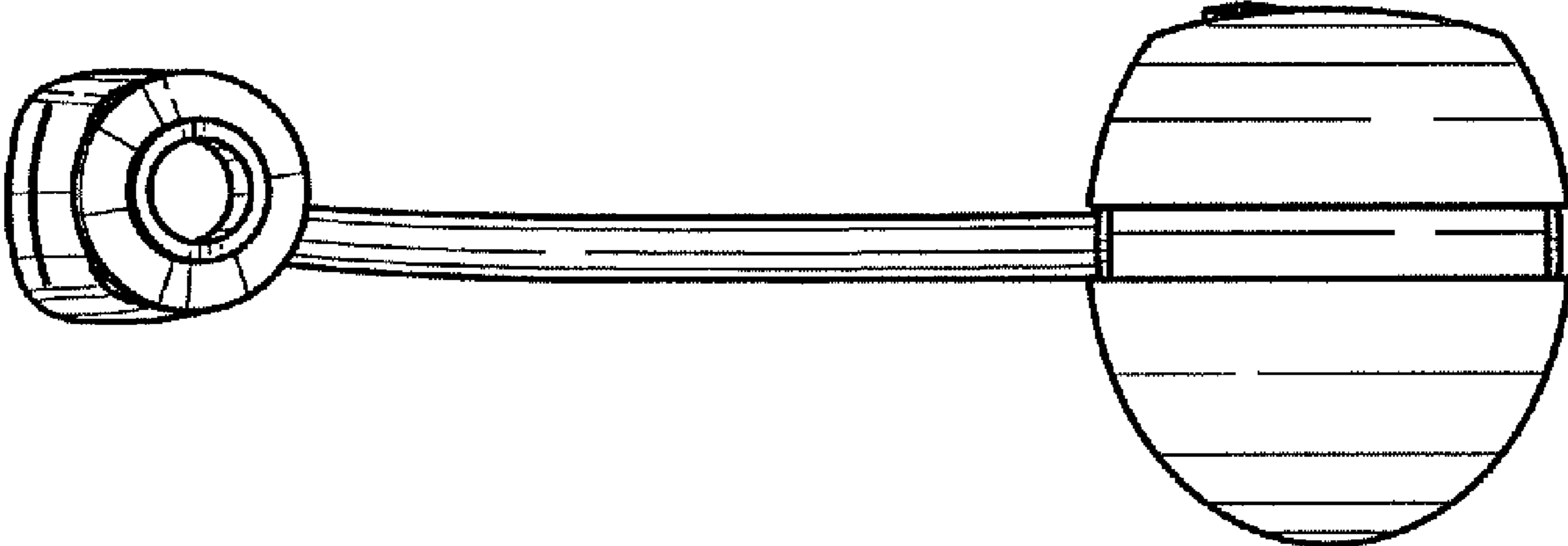


FIG 3

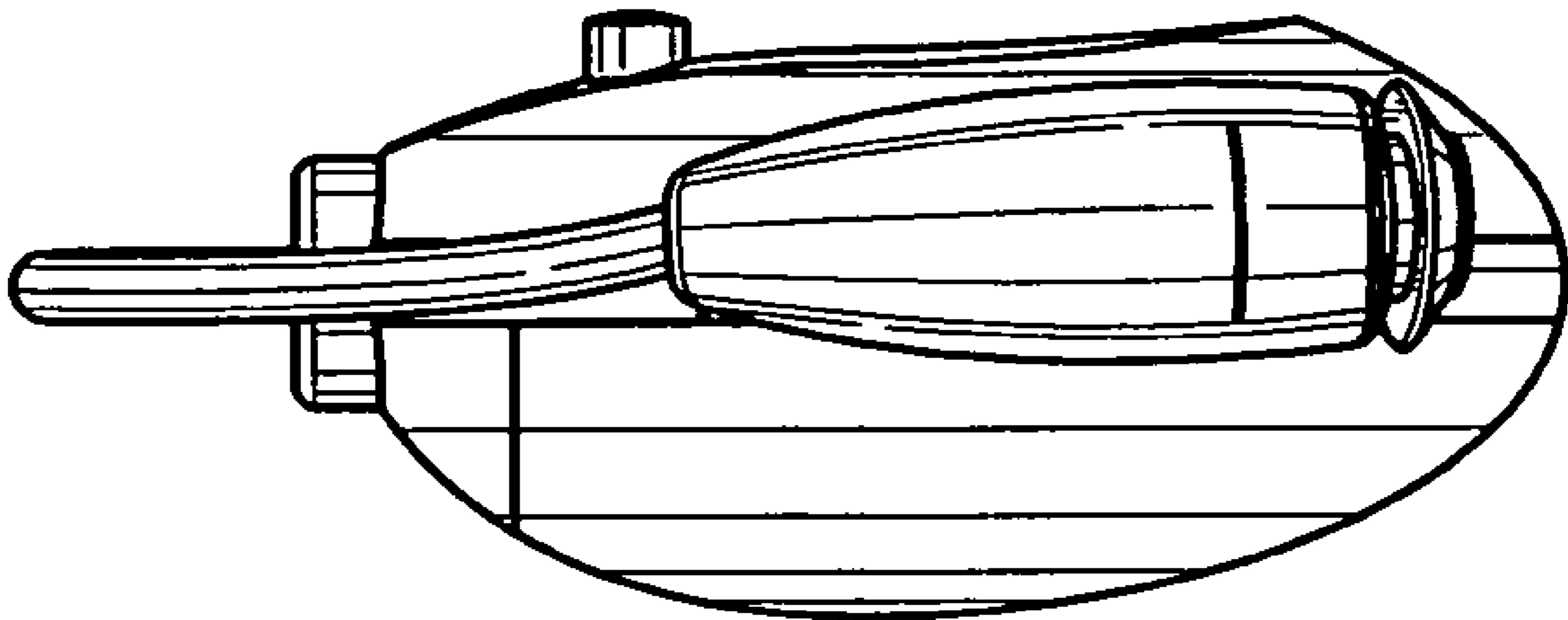


FIG 4

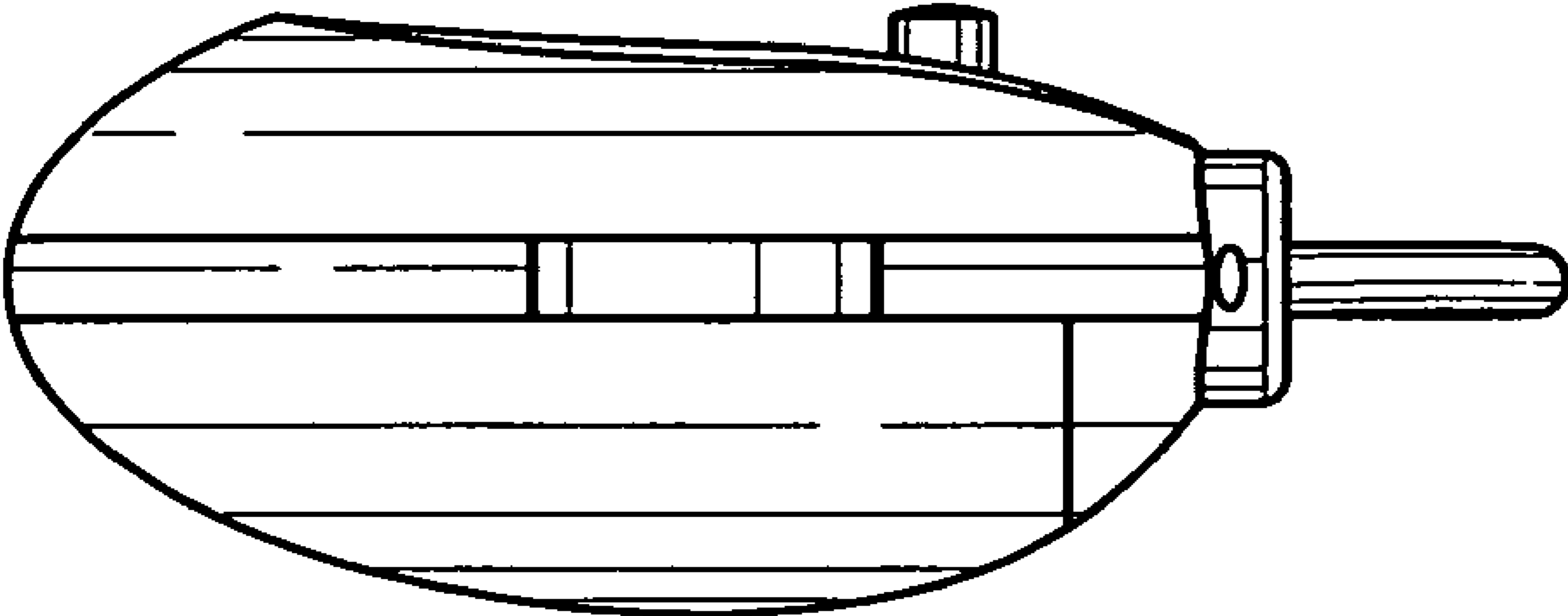


FIG 5

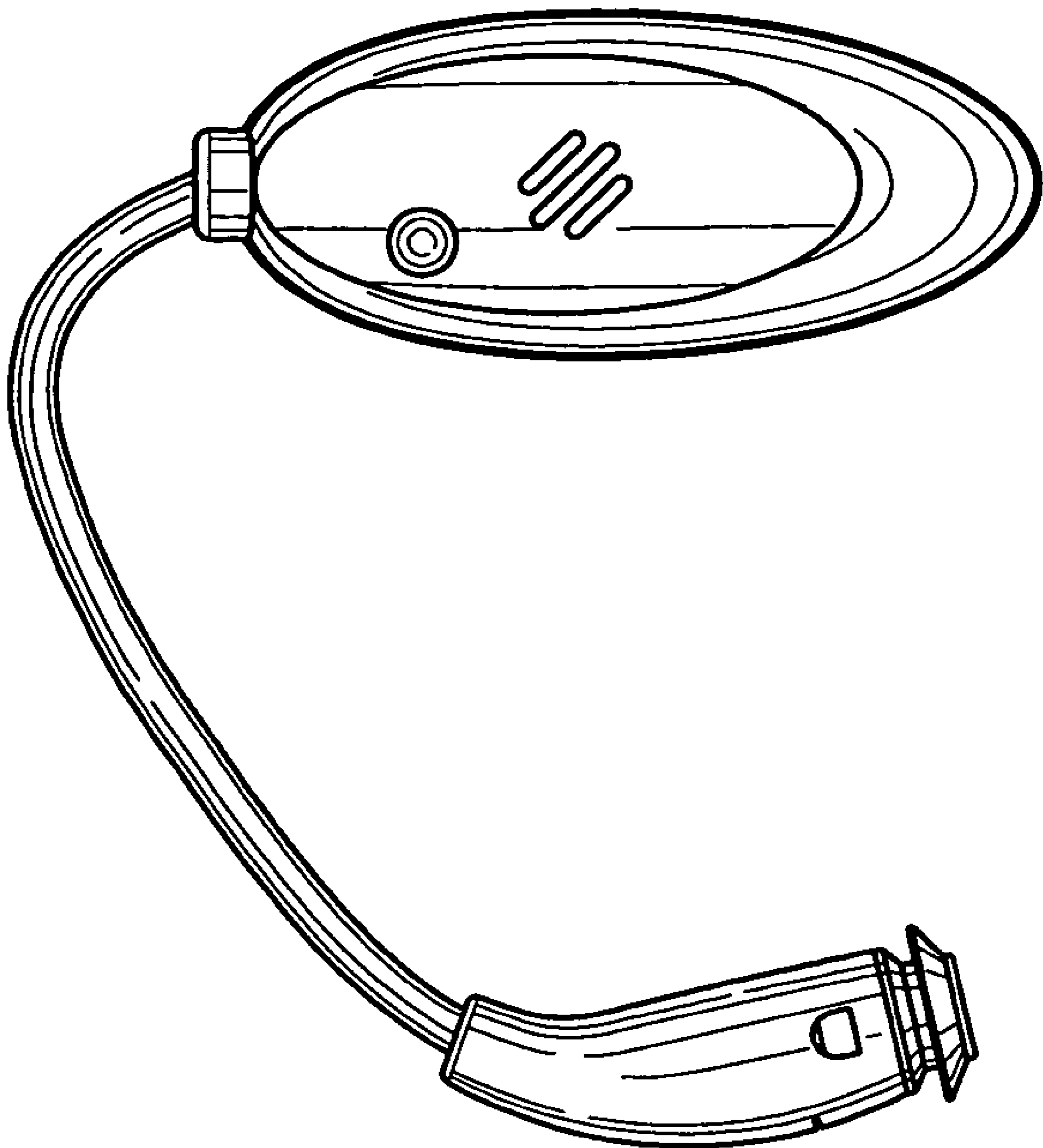


FIG 6

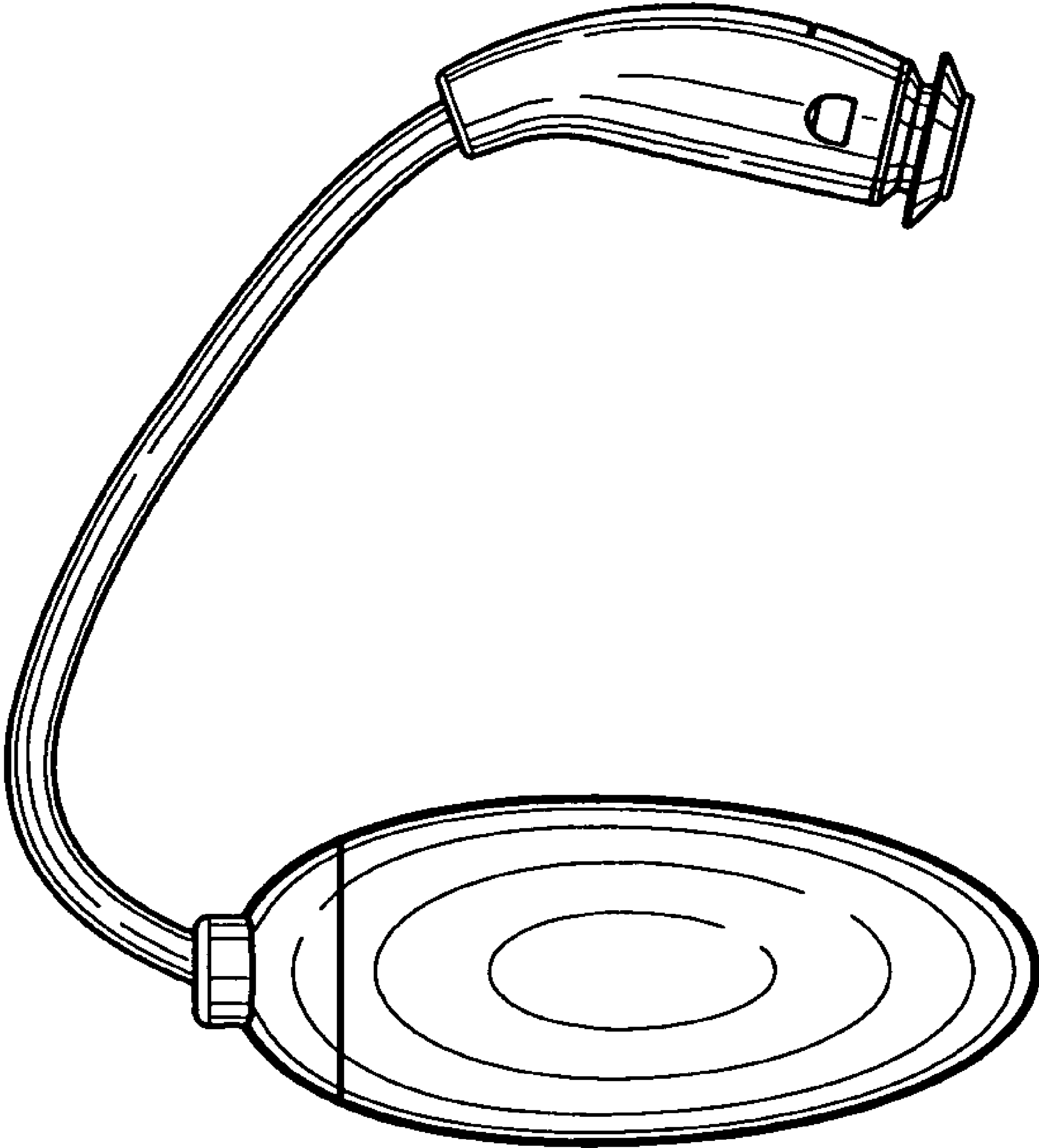


FIG 7

