



US00D612942S

(12) **United States Design Patent**  
**Verdon-Roe**

(10) **Patent No.:** **US D612,942 S**  
(45) **Date of Patent:** **\*\* Mar. 30, 2010**

(54) **HEAD STABILIZING SUPPORT**

6,981,946 B2 \* 1/2006 Davidson ..... 600/398  
2008/0021298 A1 \* 1/2008 Cohan et al. .... 600/399

(76) Inventor: **Gay Mary Verdon-Roe**, 44 Edwards  
Square, London (GB) W8 6HH

\* cited by examiner

(\*\*) Term: **14 Years**

*Primary Examiner*—T. Chase Nelson  
*Assistant Examiner*—Anhdao Doan  
(74) *Attorney, Agent, or Firm*—Holland & Knight LLP;  
Richard E. Lyon, Jr.

(21) Appl. No.: **29/320,150**

(22) Filed: **Jun. 20, 2008**

(57) **CLAIM**

(30) **Foreign Application Priority Data**

May 28, 2008 (GB) ..... 4007114

The ornamental design for a head stabilizing support, as  
shown and described.

(51) **LOC (9) Cl.** ..... **24-01**

(52) **U.S. Cl.** ..... **D24/172**

(58) **Field of Classification Search** ..... D24/172,  
D24/183, 184, 186; 351/209–212, 206, 245;  
600/398–400, 402

See application file for complete search history.

**DESCRIPTION**

FIG. 1 is a perspective view of the head stabilizing support of  
my design shown secured to a support surface illustrated in  
broken lines;

FIG. 2 is a front view thereof;

FIG. 3 is a rear view thereof;

FIG. 4 is a right side view thereof;

FIG. 5 is a left side view thereof;

FIG. 6 is a top plan view thereof; and,

FIG. 7 is a bottom plan view thereof.

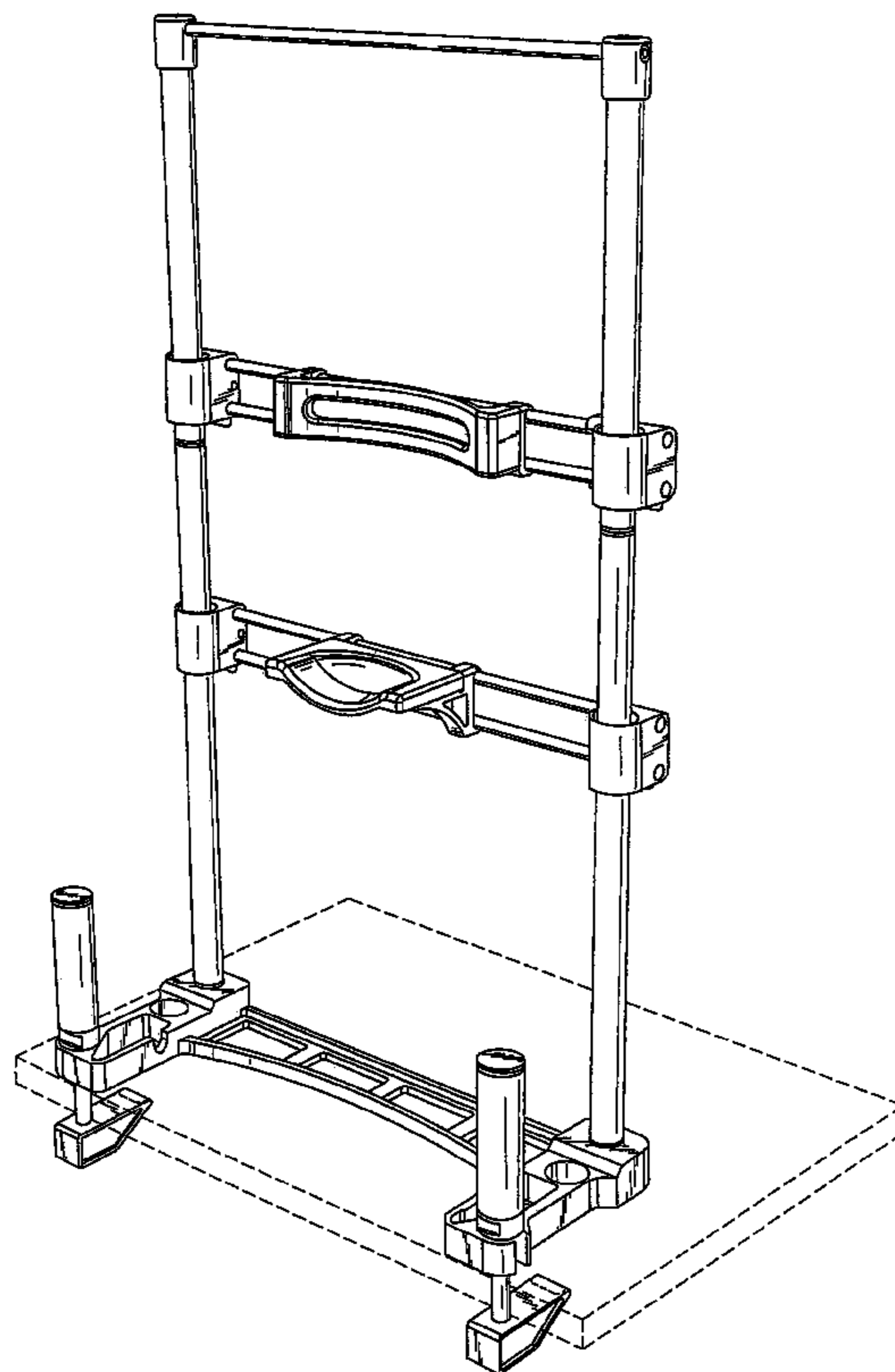
The broken lines in FIG. 1 are included for the purpose of  
illustrating environment subject matter that forms no part of  
the claimed design.

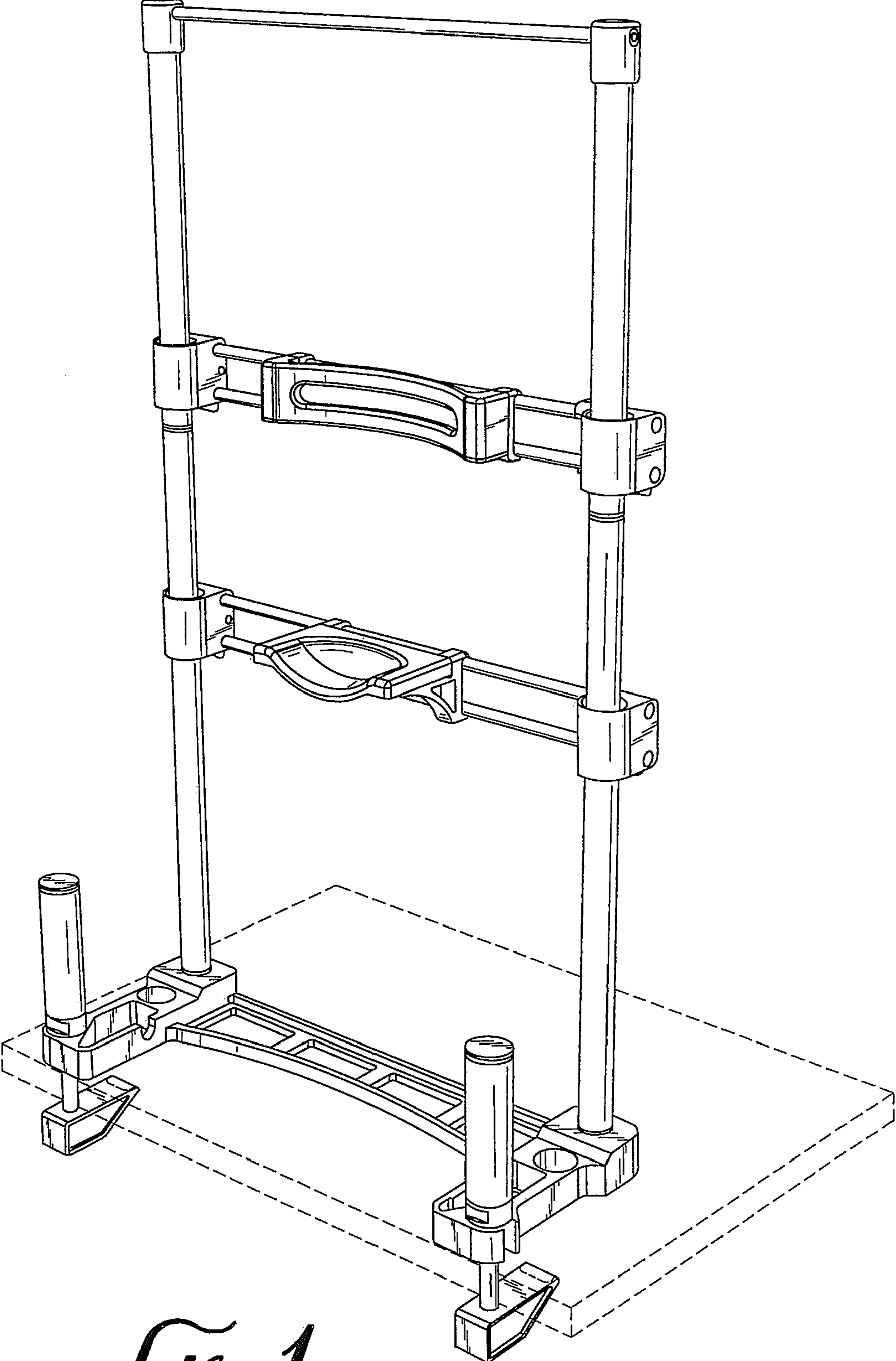
(56) **References Cited**

**U.S. PATENT DOCUMENTS**

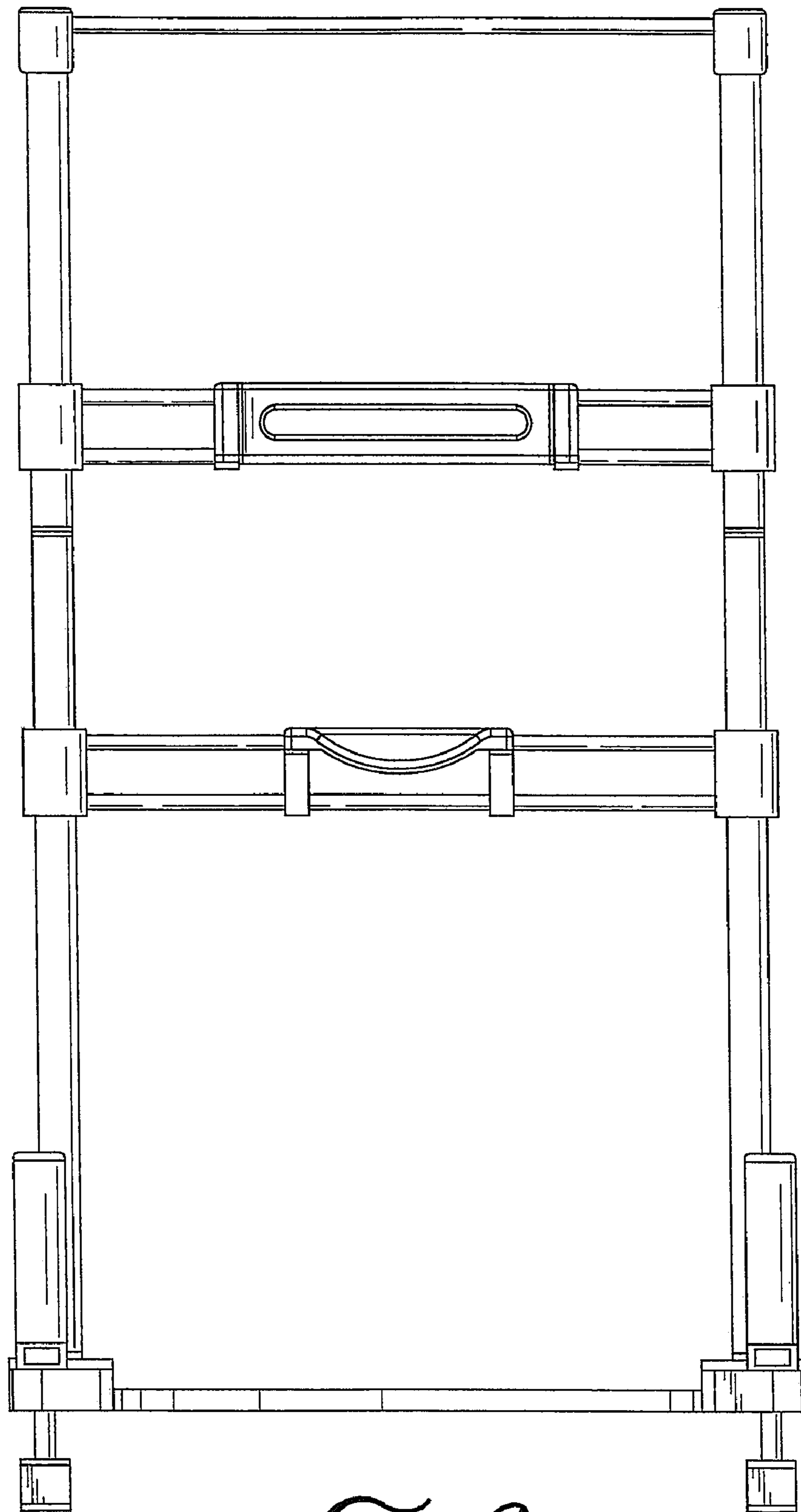
4,128,317	A *	12/1978	LeCover	.....	351/245
D292,526	S *	10/1987	Nakayama	.....	D24/172
D295,556	S *	5/1988	Speaker	.....	D24/172
D320,077	S *	9/1991	Koizumi	.....	D24/172
D330,769	S *	11/1992	Blaha et al.	.....	D24/172
5,488,443	A *	1/1996	Ota et al.	.....	351/245
6,045,503	A *	4/2000	Grabner et al.	.....	351/212
D436,665	S *	1/2001	Becker	.....	D24/172
6,286,960	B1 *	9/2001	Tomita	.....	351/245

**1 Claim, 6 Drawing Sheets**

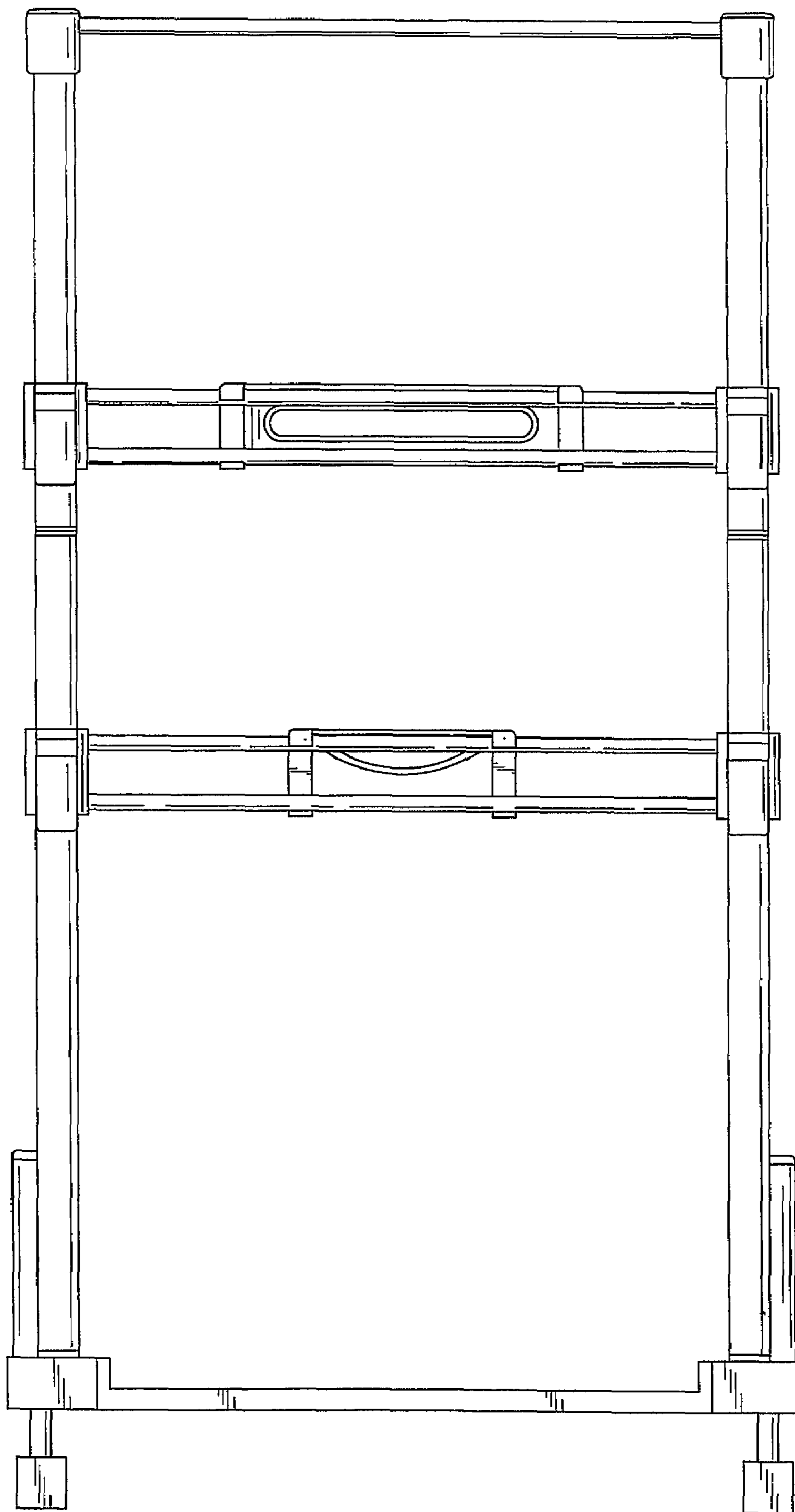




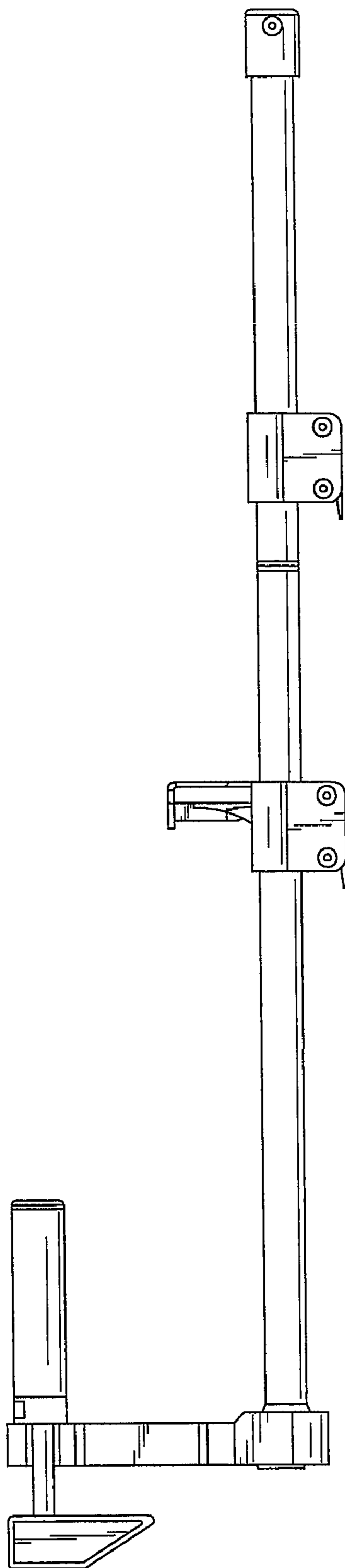
*FIG. 1*



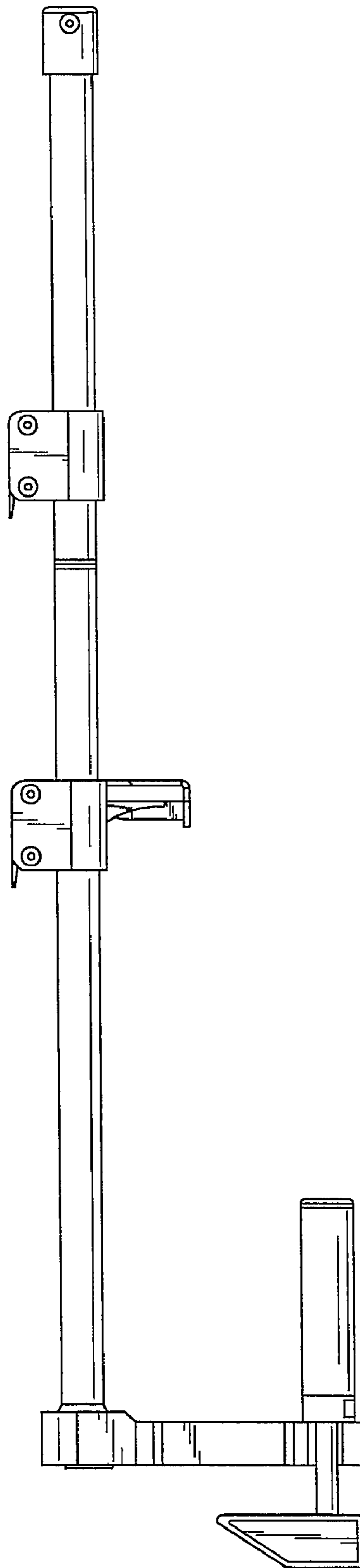
*FIG. 2*



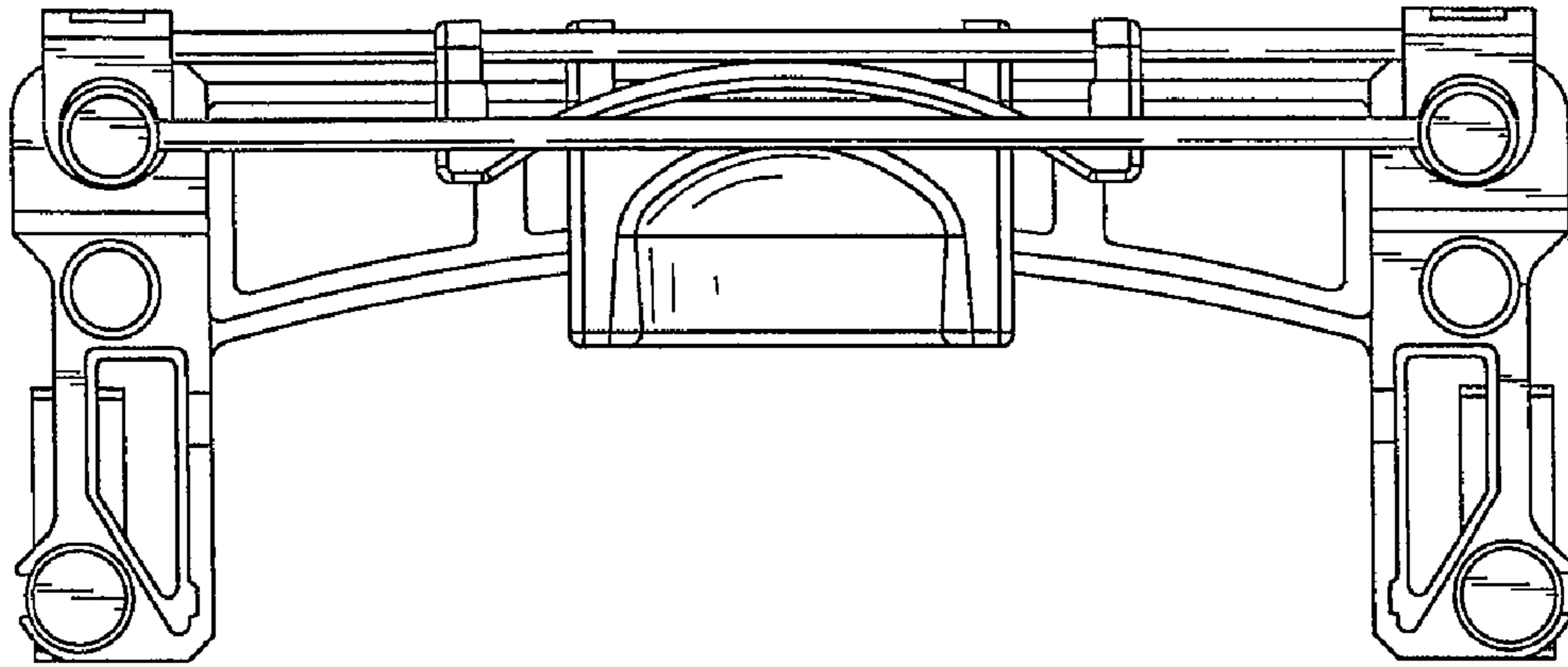
*FIG. 3*



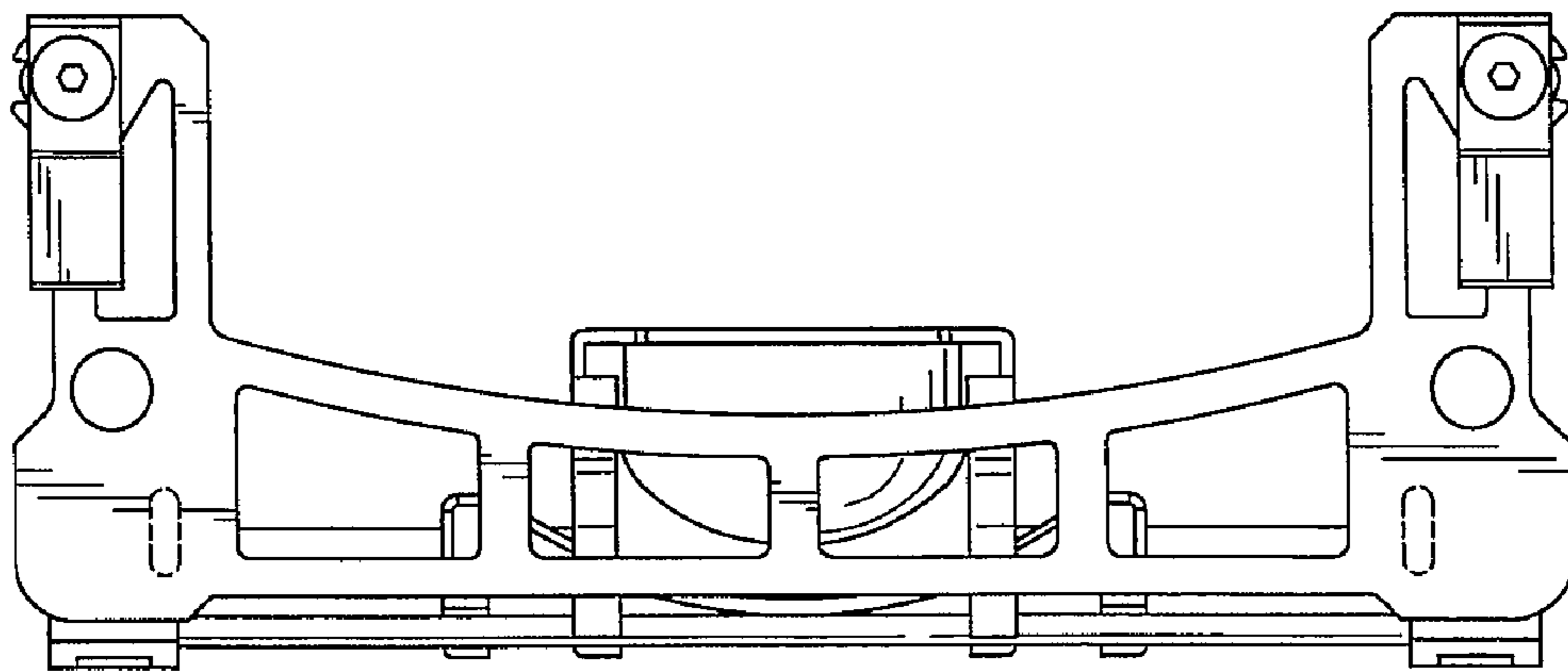
*FIG. 4*



*Fig. 5*



*FIG. 6*



*FIG. 7*