



US00D612941S

(12) **United States Design Patent**
Youngquist et al.

(10) **Patent No.:** **US D612,941 S**
(45) **Date of Patent:** **** Mar. 30, 2010**

(54) **DERMATOLOGICAL OPTICAL DELIVERY SYSTEM**

D467,001 S * 12/2002 Buczek et al. D24/172

(75) Inventors: **David W. Youngquist**, San Jose, CA (US); **Ralph E. Saunders**, San Ramon, CA (US); **Vinh N. Luong**, San Jose, CA (US)

* cited by examiner

Primary Examiner—T. Chase Nelson
Assistant Examiner—Anhdao Doan
(74) *Attorney, Agent, or Firm*—Wood, Herron & Evans, LLP

(73) Assignee: **Reliant Technologies, Inc.**, Mountain View, CA (US)

(57) **CLAIM**

The ornamental design for a dermatological optical delivery system, as shown and described.

(**) Term: **14 Years**

(21) Appl. No.: **29/305,888**

DESCRIPTION

(22) Filed: **Mar. 28, 2008**

FIG. 1 is a perspective view showing the top, front side, and right side of a dermatological optical delivery system according to our new design;

(51) **LOC (9) Cl.** **24-01**

(52) **U.S. Cl.** **D24/172**

FIG. 2 is a perspective view showing the top, rear side, and left side thereof;

(58) **Field of Classification Search** D24/108,

D24/133, 172, 186; 351/209–212, 206; 600/398–400, 600/402

FIG. 3 is a front view thereof;

FIG. 4 is a rear view thereof;

See application file for complete search history.

FIG. 5 is a left side view thereof;

FIG. 6 is a right side view thereof;

(56) **References Cited**

U.S. PATENT DOCUMENTS

D325,086 S * 3/1992 Charles et al. D24/172

D352,106 S * 11/1994 Fanney et al. D24/185

D378,315 S * 3/1997 Schwaegerle et al. D24/172

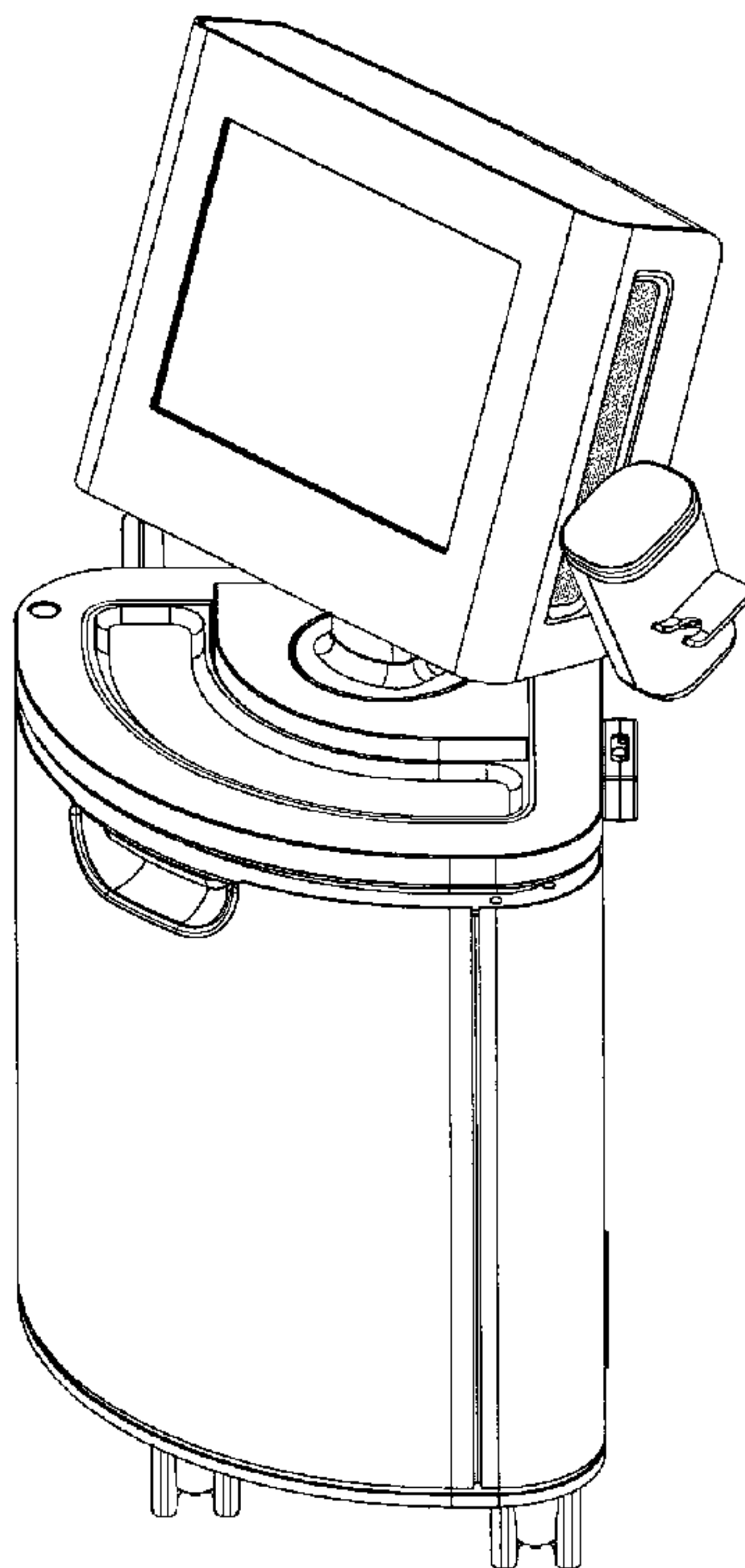
D410,544 S * 6/1999 Metzler et al. D24/172

FIG. 7 is a top view thereof; and,

FIG. 8 is a bottom view thereof.

The broken lines in the drawing views are included for the purpose of illustrating portions of the dermatological optical delivery system that form no part of the claimed design

1 Claim, 4 Drawing Sheets



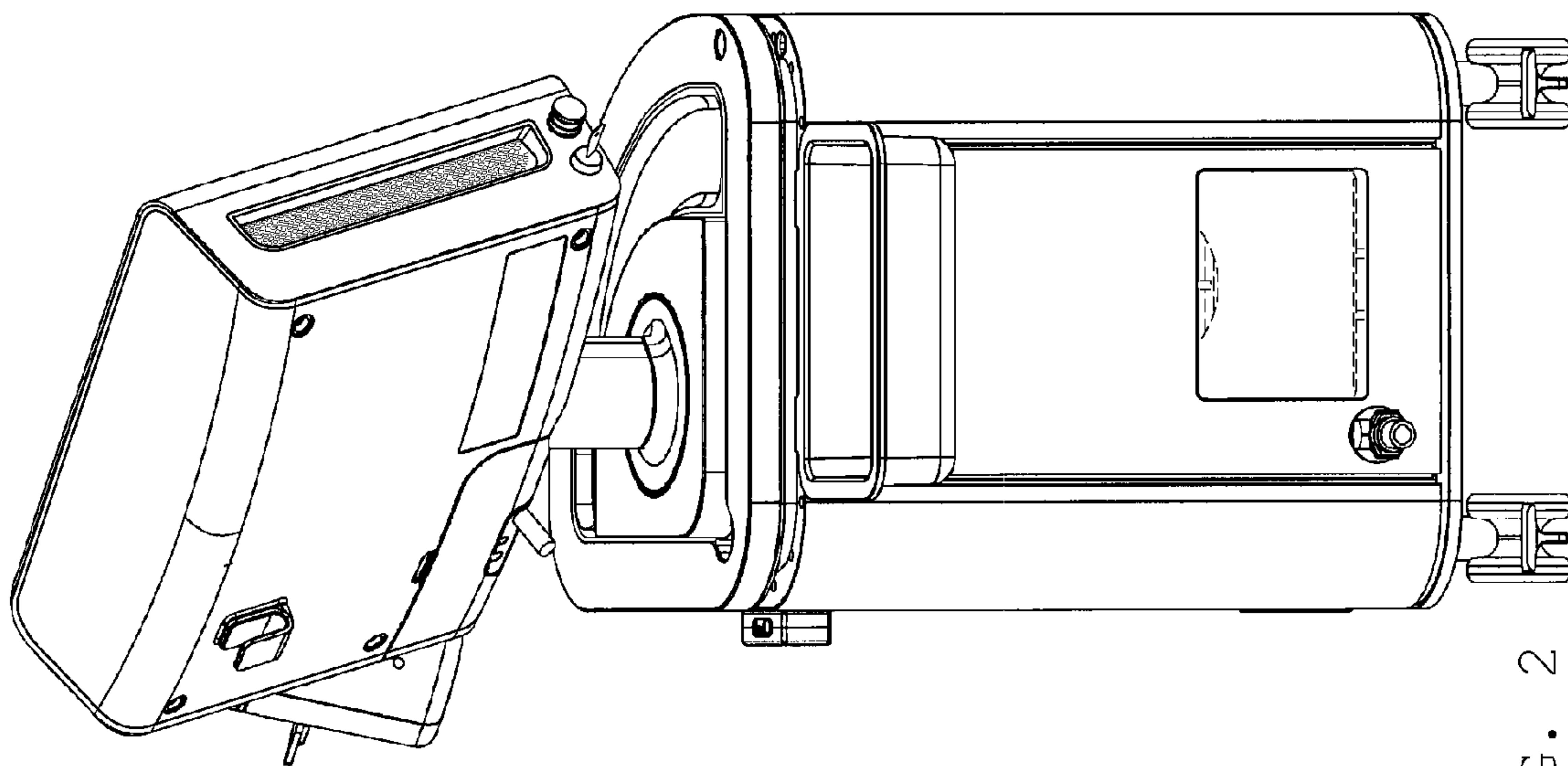


FIG. 2

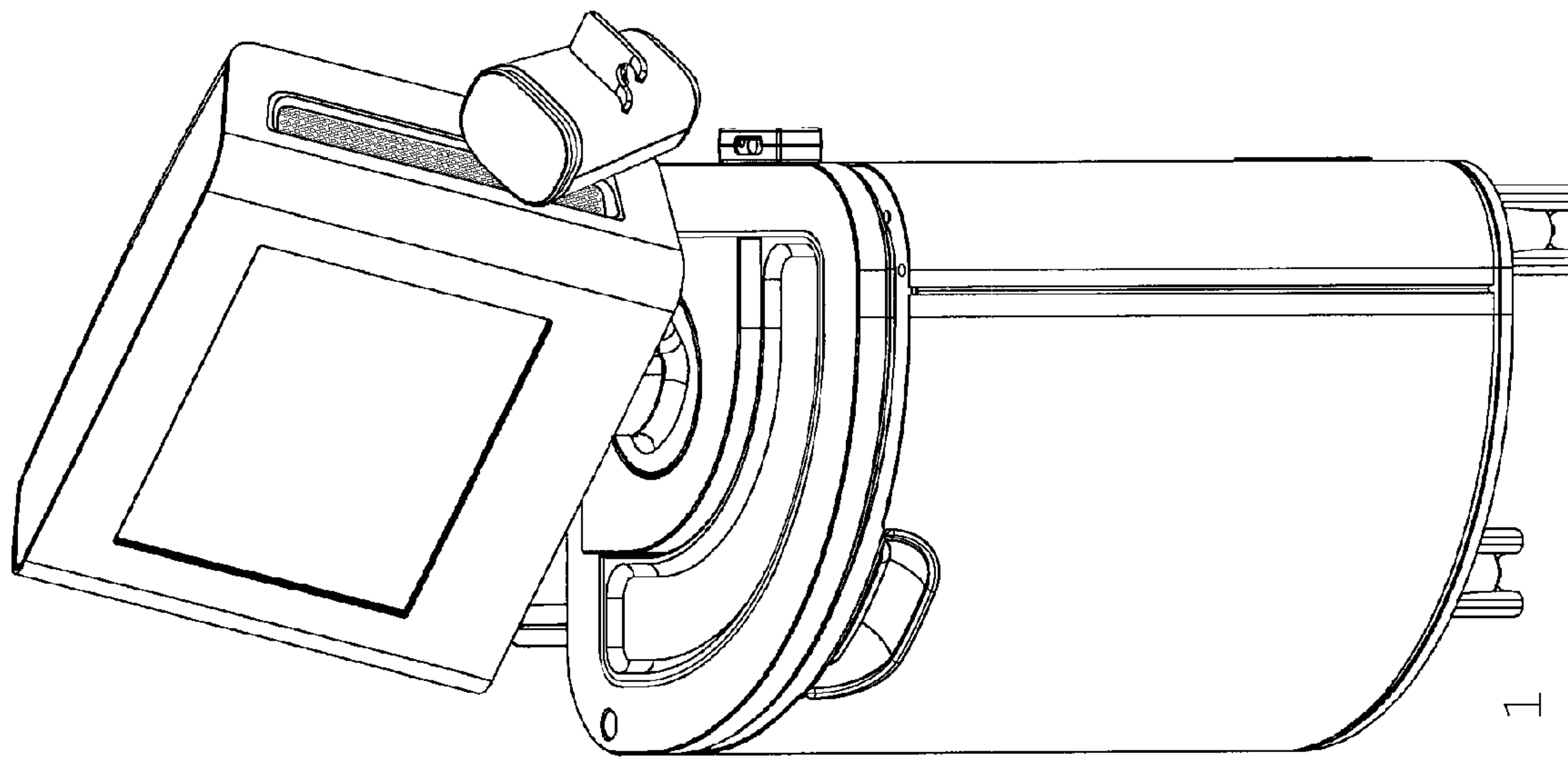


FIG. 1

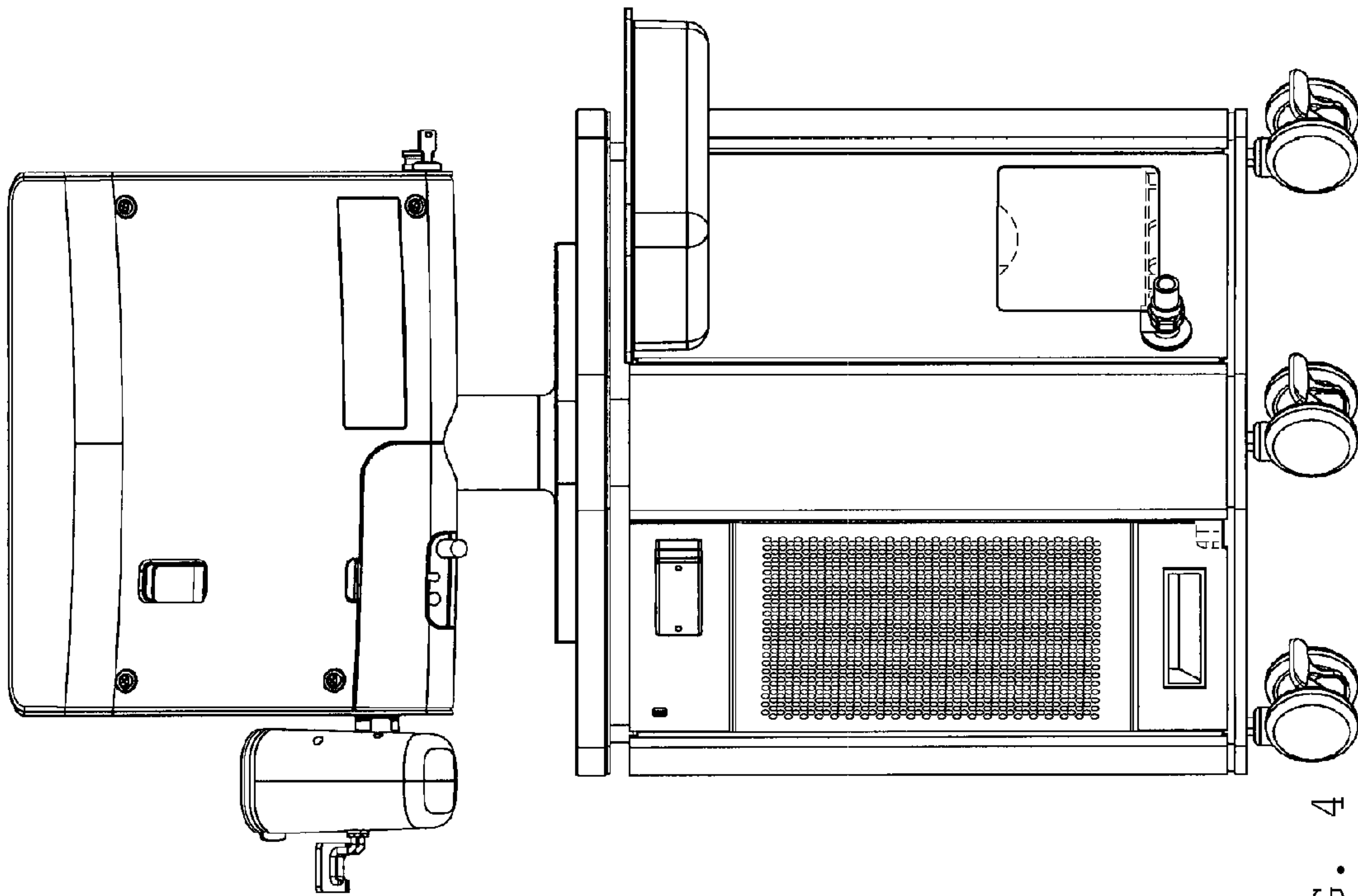


FIG. 4

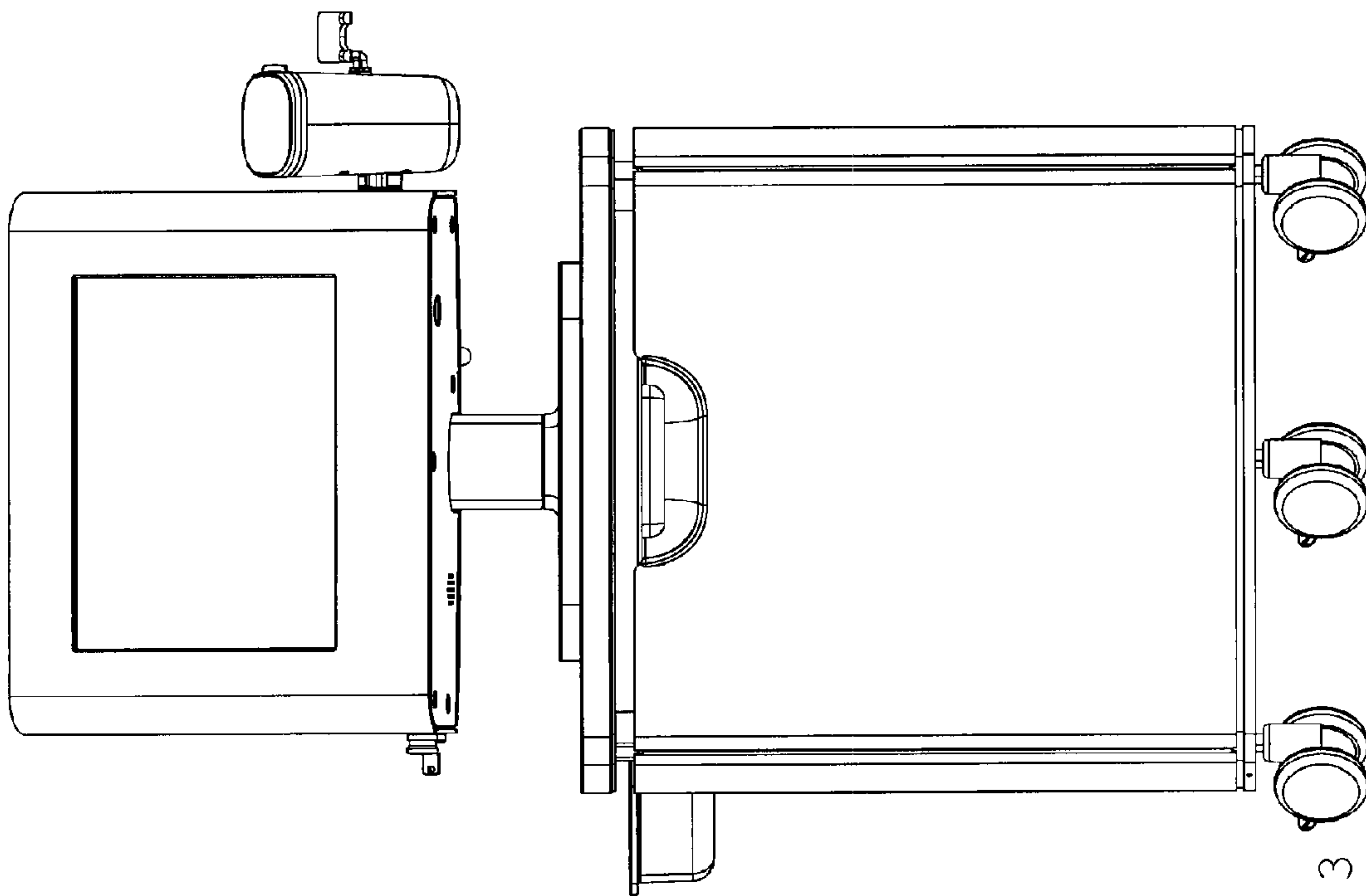


FIG. 3

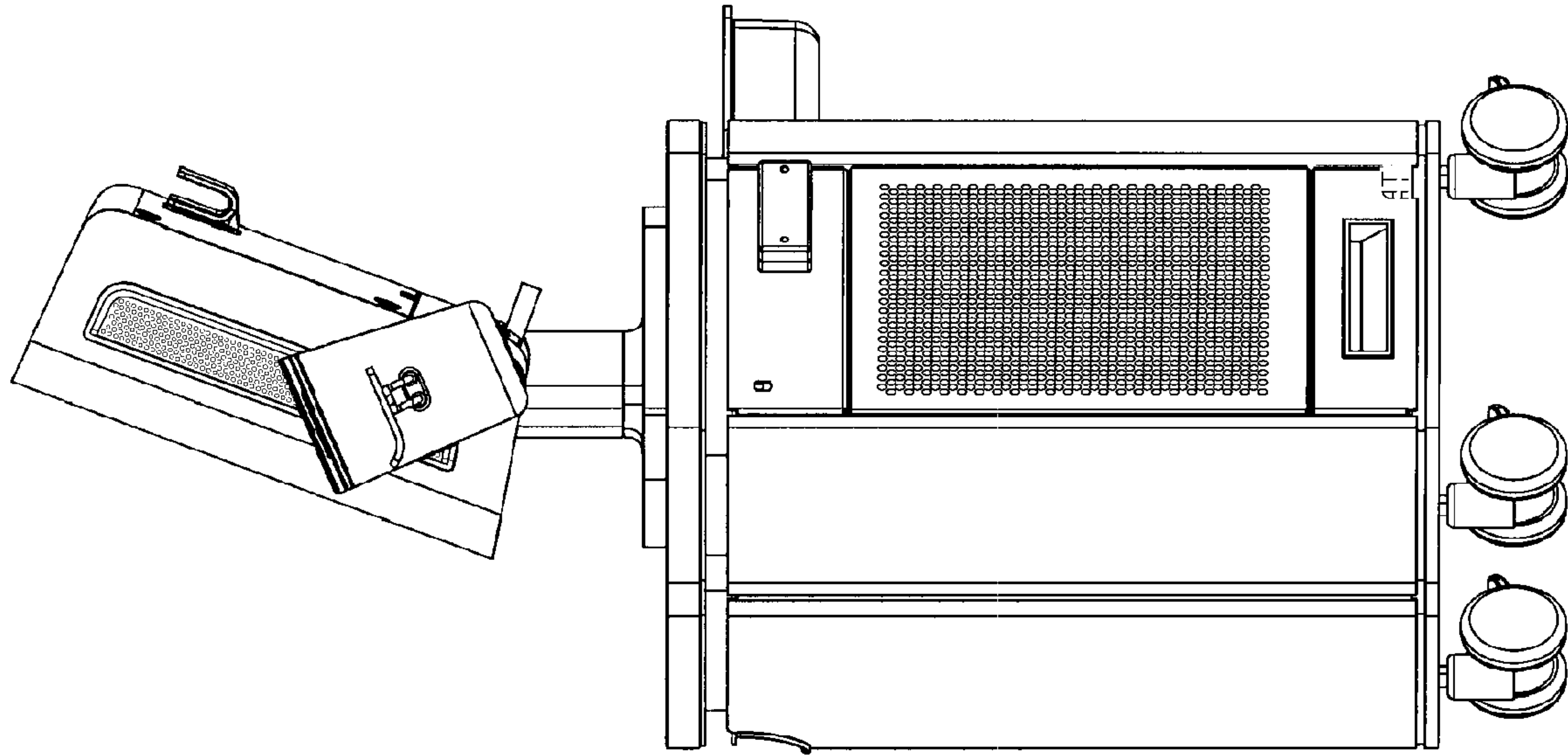


FIG. 6

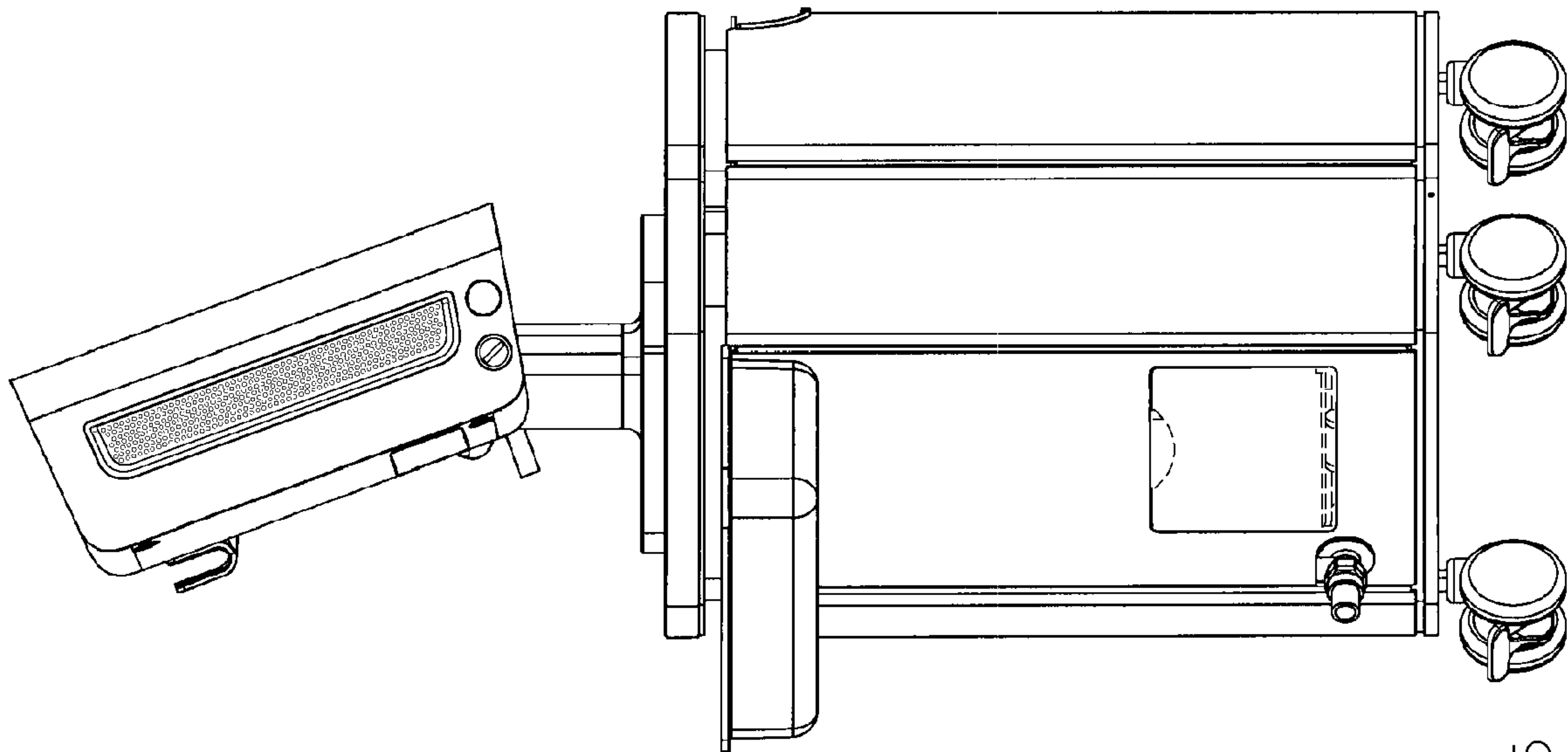


FIG. 5

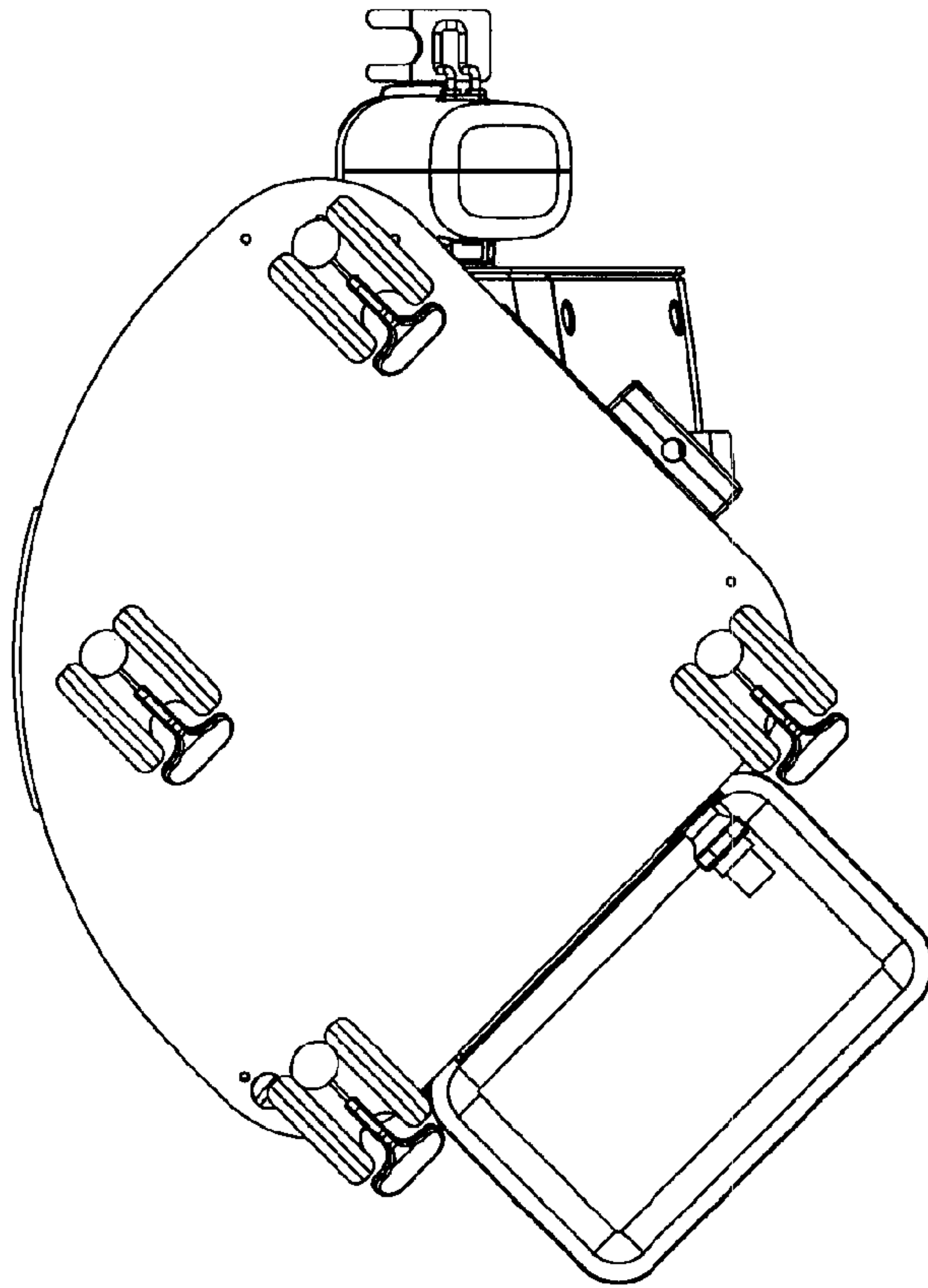


FIG. 8

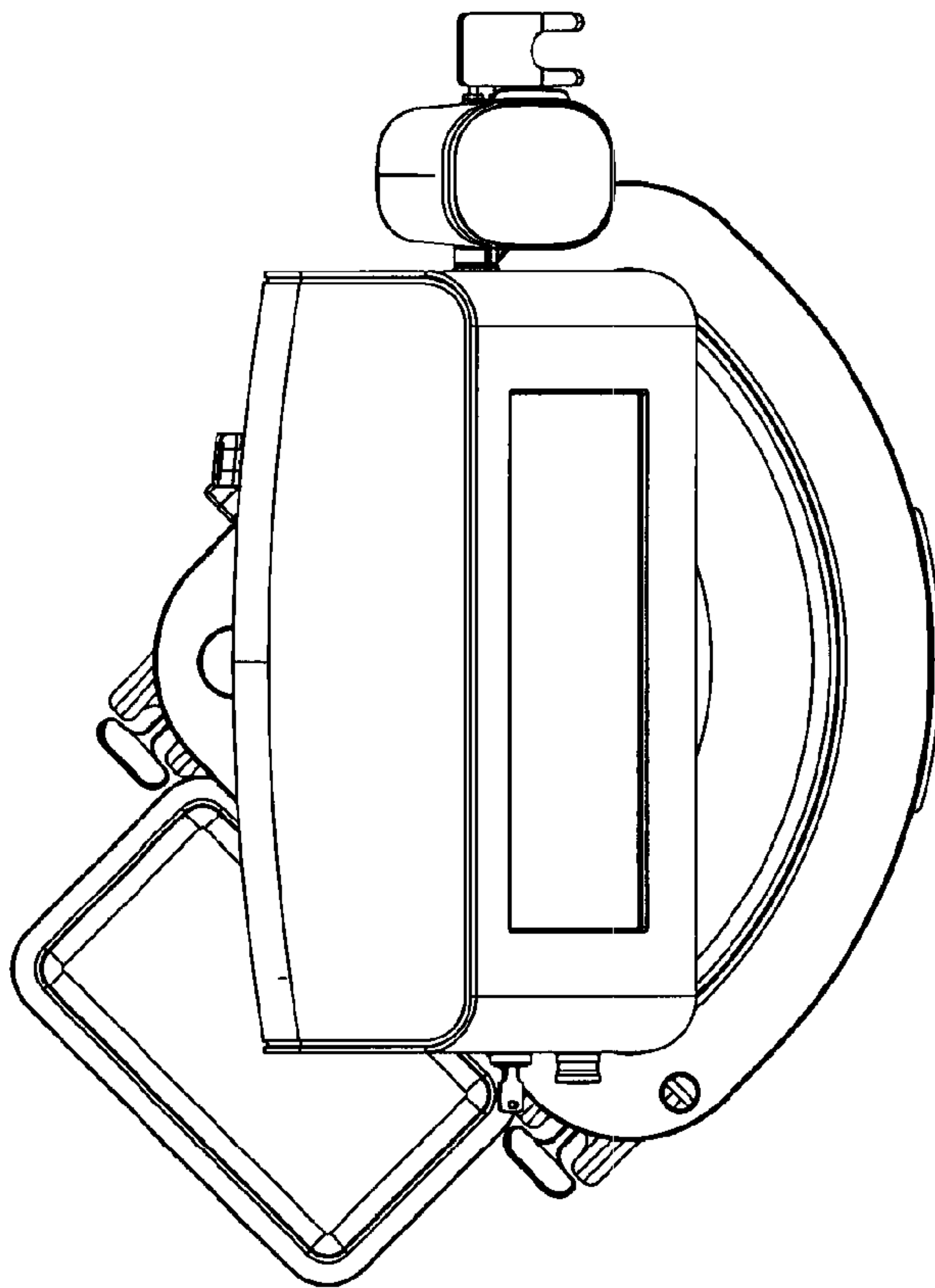


FIG. 7