



US00D612934S

(12) **United States Design Patent**
Prentice et al.

(10) **Patent No.:** **US D612,934 S**
(45) **Date of Patent:** **** Mar. 30, 2010**

(54) **BODY OF A NASAL PILLOW**

2007/0089749 A1 4/2007 Ho et al.
2008/0172936 A1 7/2008 Boon et al.

(75) Inventors: **Craig Robert Prentice**, Mangere Bridge (NZ); **Alastair Edwin McAuley**, Remuera (NZ); **Rory Alexander Monro**, Glendowie (NZ); **Nadjean Maurice Gabriel Geslain**, Panmure (NZ); **Isaac Tristram Tane Mason**, Ellerslie (NZ)

FOREIGN PATENT DOCUMENTS

WO 2007/1041786 4/2007

* cited by examiner

(73) Assignee: **Fisher & Paykel Healthcare Limited**, Auckland (NZ)

Primary Examiner—Ian Simmons
Assistant Examiner—Christopher Lee

(74) *Attorney, Agent, or Firm*—Trexler, Bushnell, Giangiorgi, Blackstone & Marr, Ltd.

(**) Term: **14 Years**

(57) **CLAIM**

(21) Appl. No.: **29/326,073**

The ornamental design for a body of a nasal pillow, as shown and described.

(22) Filed: **Oct. 10, 2008**

DESCRIPTION

(51) **LOC (9) Cl.** **29-02**

FIG. 1 is a top perspective view of the body of a nasal pillow of our design;

(52) **U.S. Cl.** **D24/110.1; D24/110.4; D24/110.5**

FIG. 2 is a bottom perspective view of the body of a nasal pillow;

(58) **Field of Classification Search** D24/110.1, D24/110.4, 110.5, 110.6; 128/207.18, 207.11, 128/206.11, 206.21, 205.25

FIG. 3 is a front elevational view of the body of a nasal pillow; FIG. 4 is a rear elevational view of the body of a nasal pillow;

See application file for complete search history.

FIG. 5 is a right side elevational view of the body of a nasal pillow;

(56) **References Cited**

U.S. PATENT DOCUMENTS

4,782,832	A *	11/1988	Trimble et al.	128/207.18
6,119,694	A	9/2000	Correa et al.		
6,595,215	B2 *	7/2003	Wood	128/207.18
6,907,882	B2	6/2005	Ging et al.		
D533,269	S *	12/2006	McAuley et al.	D24/110.6
D551,340	S *	9/2007	Wood et al.	D24/110.6
D586,911	S *	2/2009	McAuley et al.	D24/110.5
D589,140	S *	3/2009	Guney et al.	D24/110.1
D591,419	S *	4/2009	Chandran et al.	D24/110.1
2003/0172936	A1	9/2003	Wilkie et al.		
2004/0226566	A1	11/2004	Gunaratnam et al.		
2005/0028821	A1 *	2/2005	Wood et al.	128/207.18
2005/0235999	A1 *	10/2005	Wood et al.	128/207.18
2006/0060200	A1	3/2006	Ho et al.		
2006/0196511	A1	9/2006	Lau et al.		

FIG. 6 is a left side elevational view of the body of a nasal pillow;

FIG. 7 is a left side perspective view of the body of a nasal pillow;

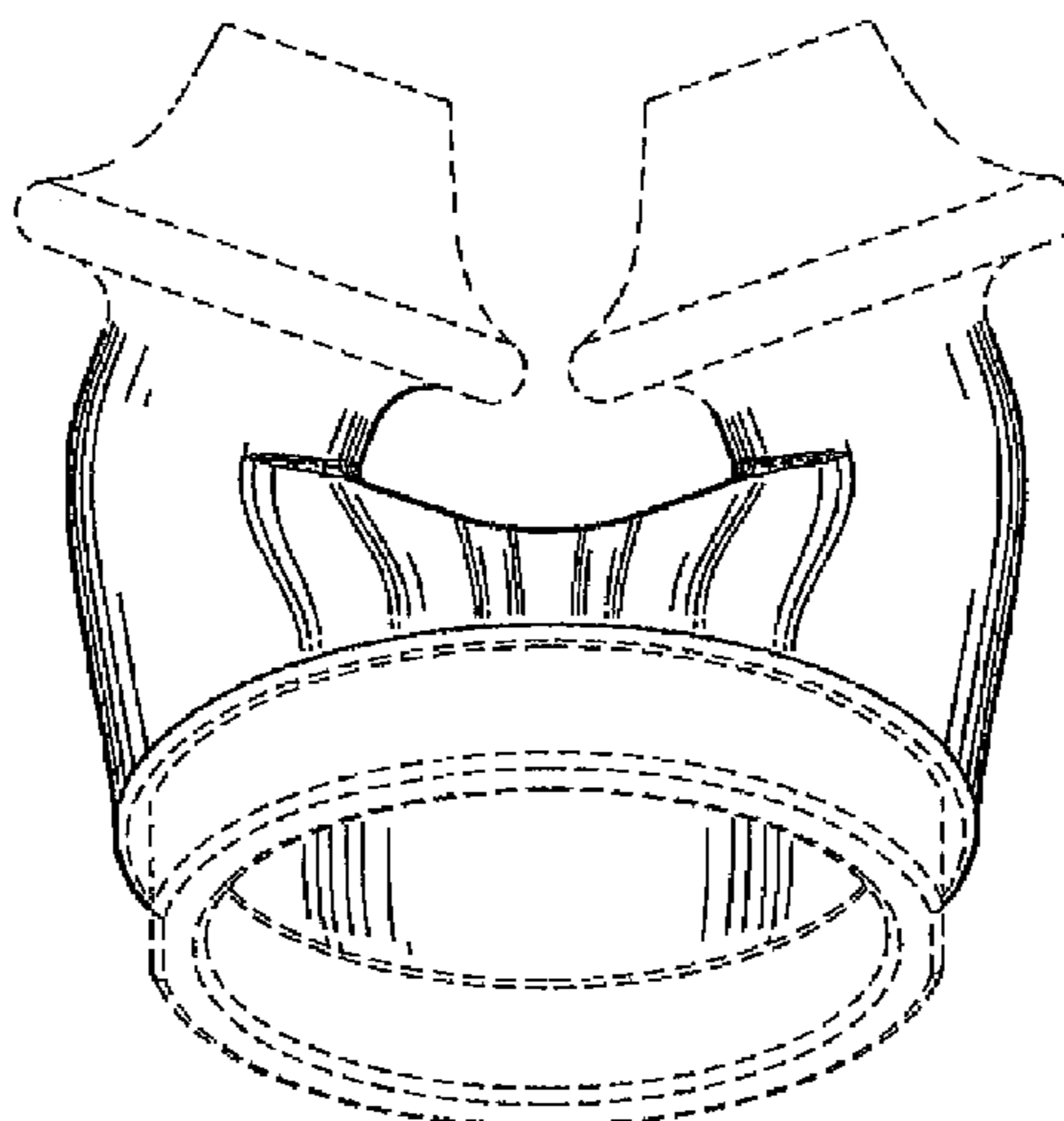
FIG. 8 is a rear perspective view of the body of a nasal pillow;

FIG. 9 is a right side perspective view of the body of a nasal pillow; and,

FIG. 10 is a front perspective view of the body of a nasal pillow.

The broken lines in the drawings show environmental structure that form no part of the design to be patented.

1 Claim, 10 Drawing Sheets



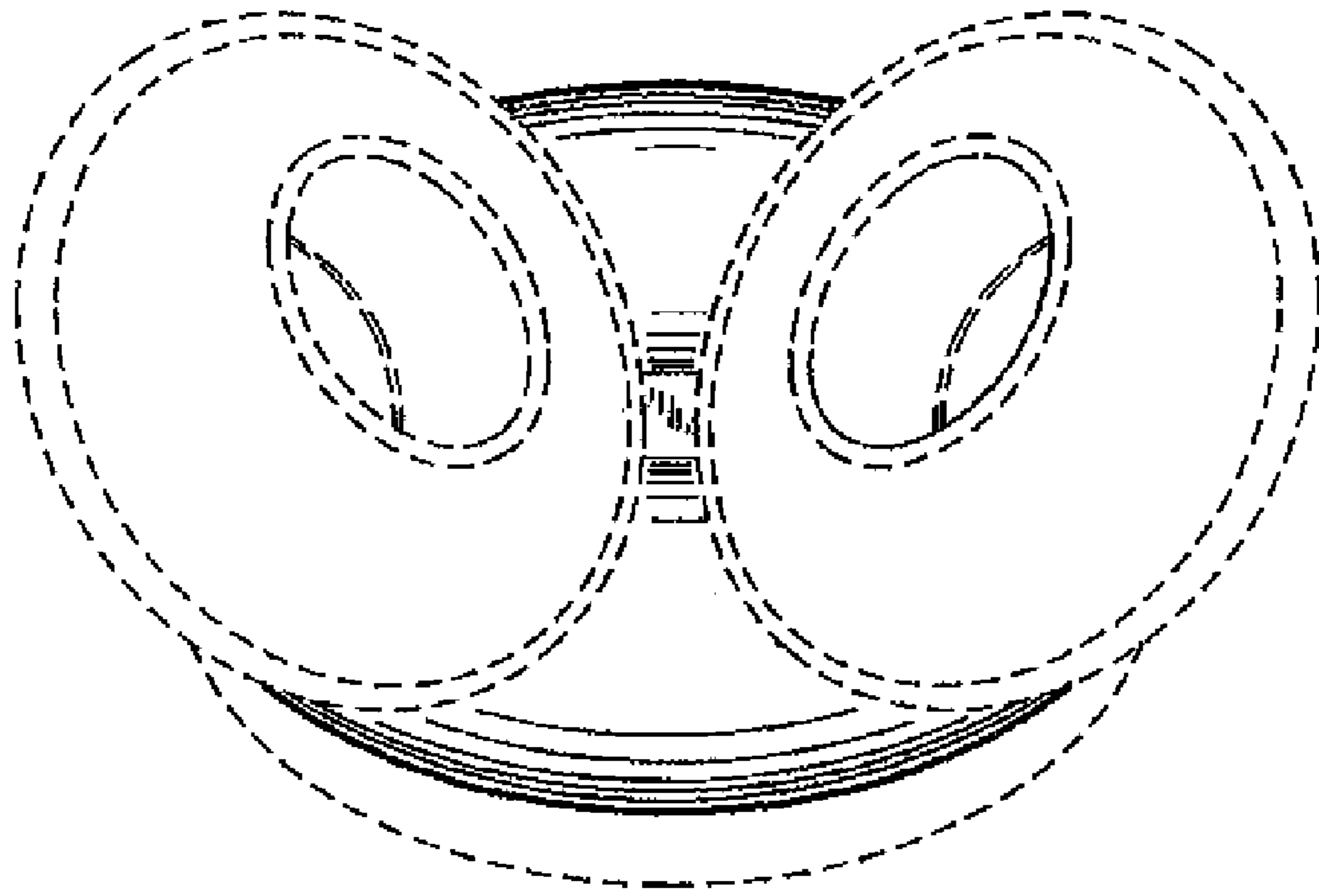


Figure 1

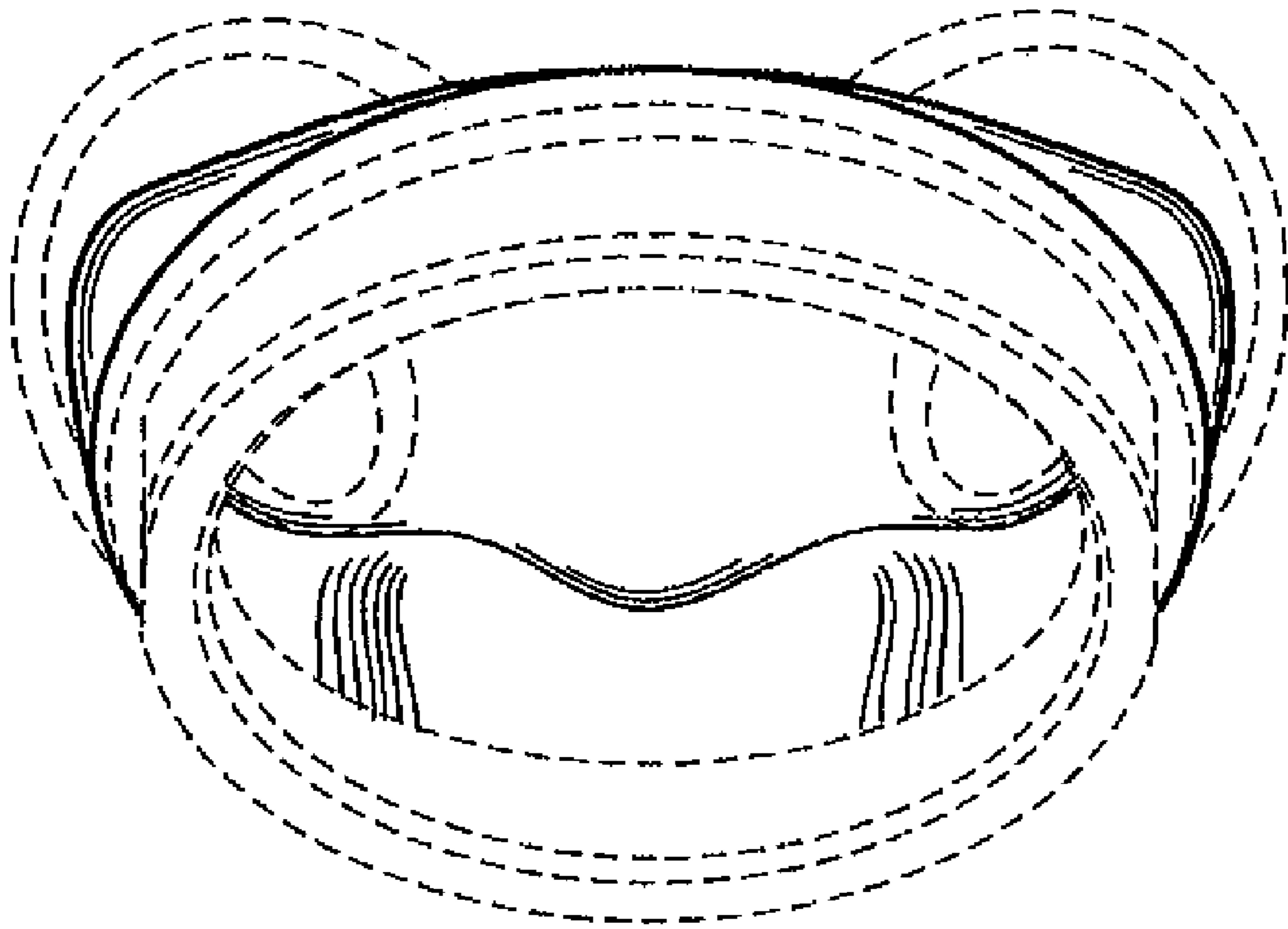


Figure 2

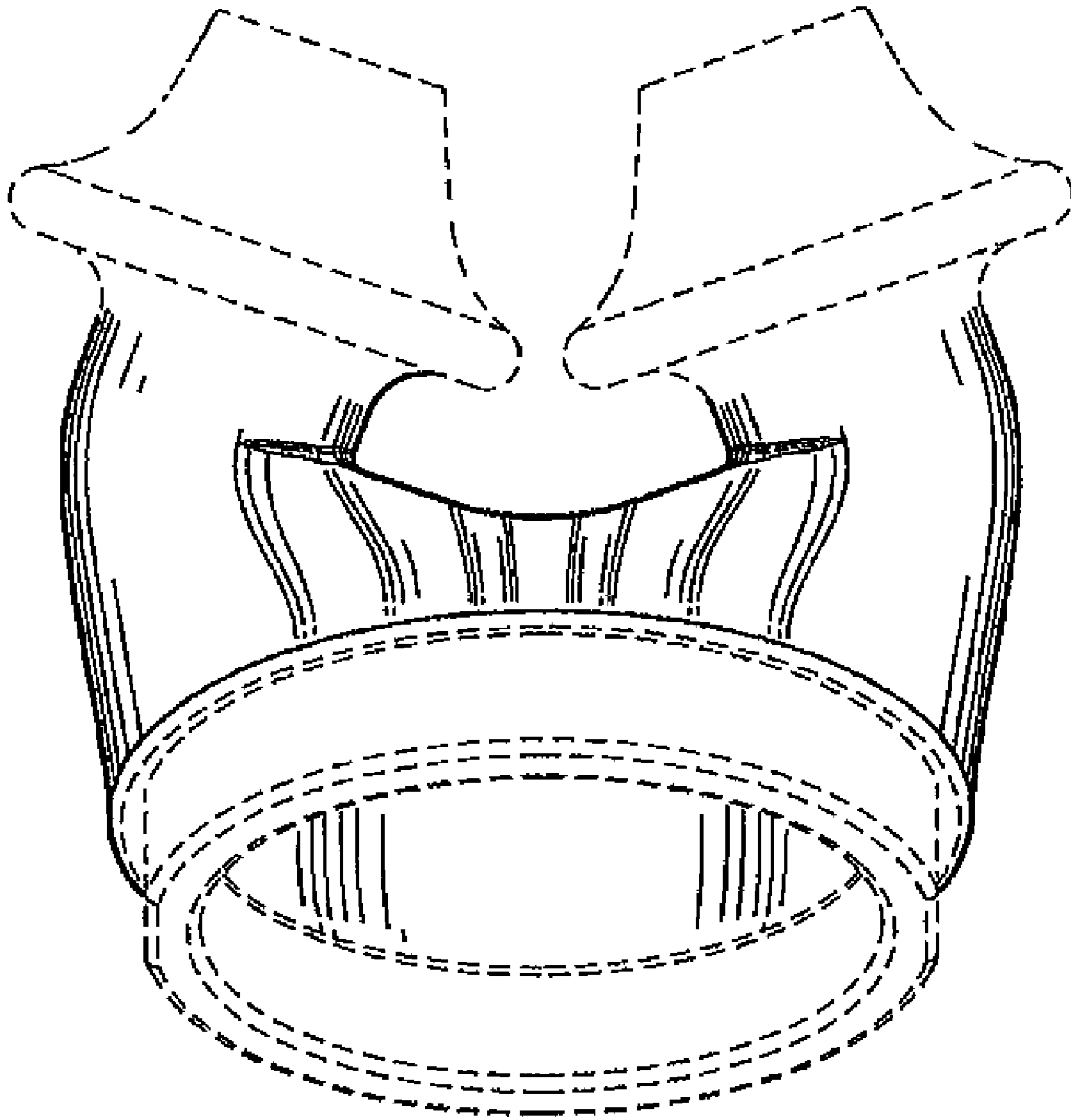


Figure 3

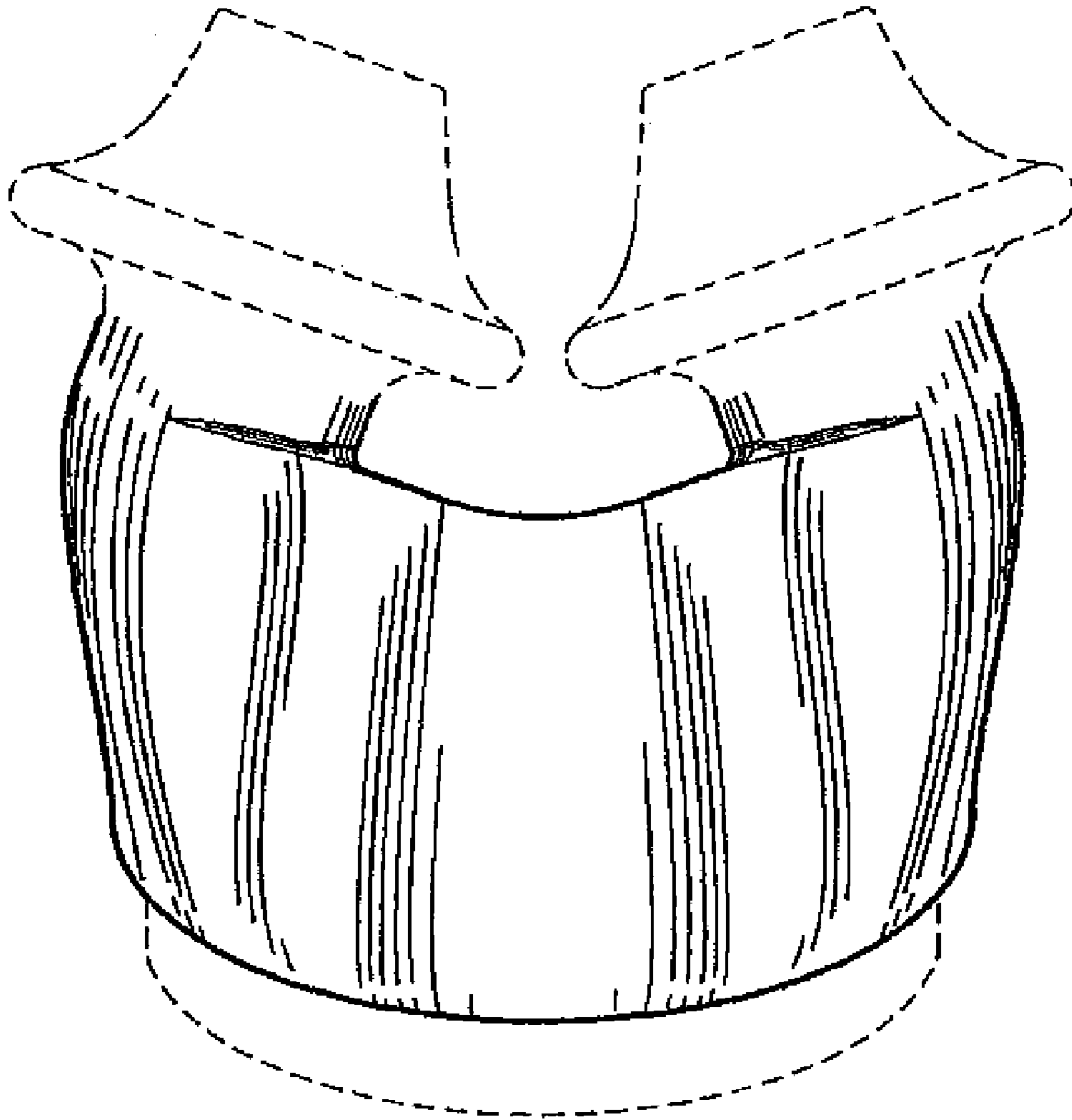


Figure 4

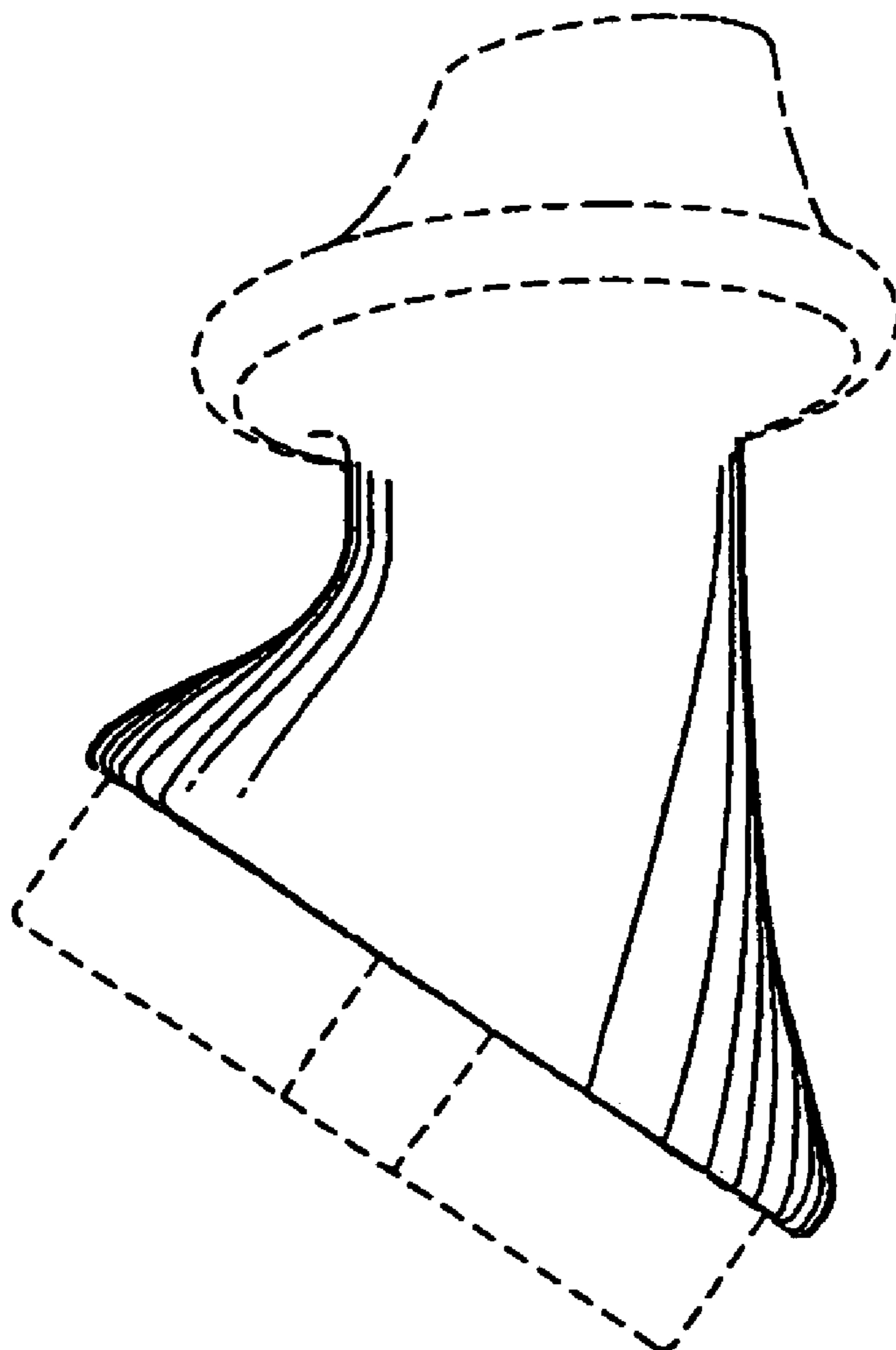


Figure 5

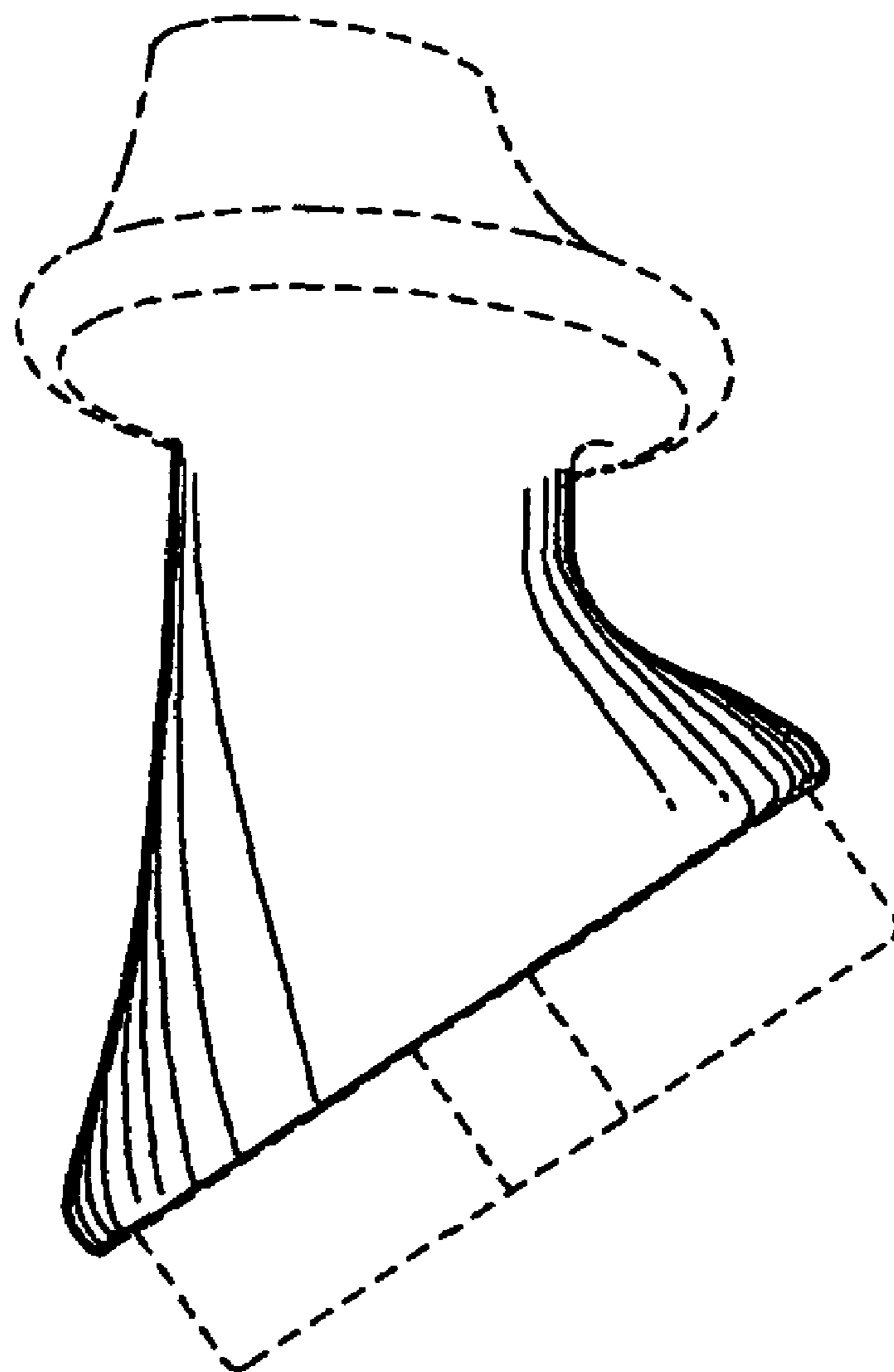


Figure 6

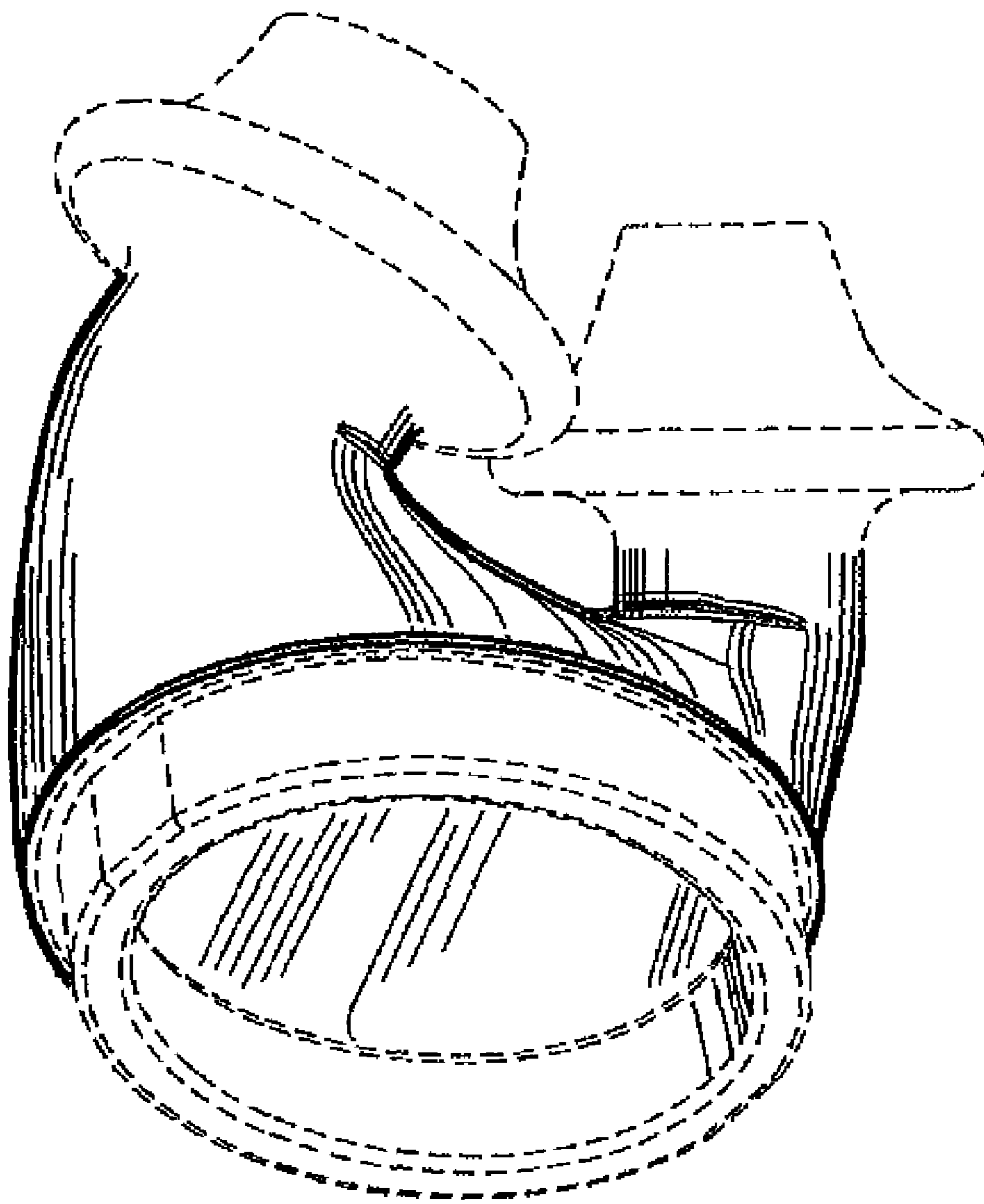


Figure 7

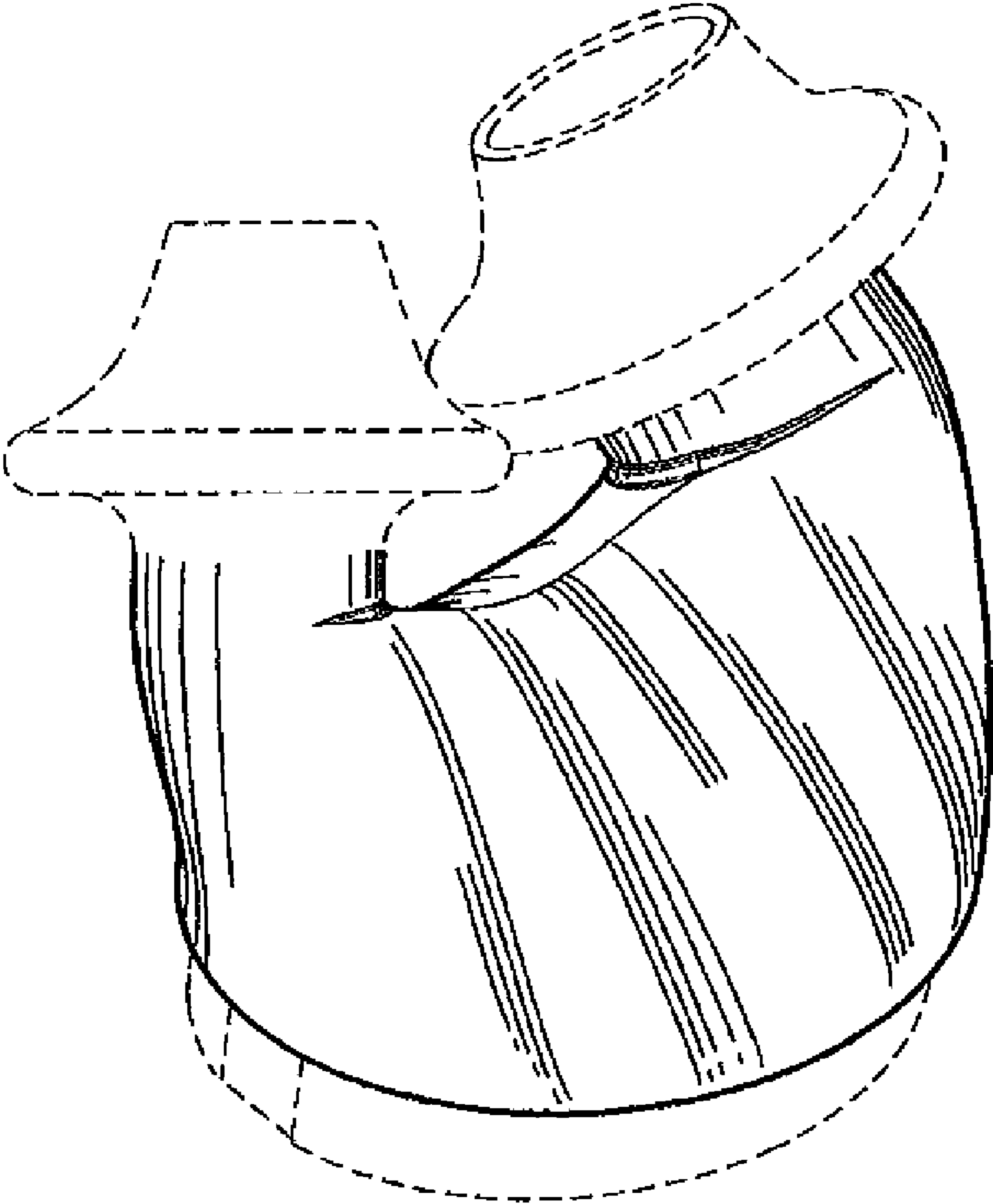


Figure 8

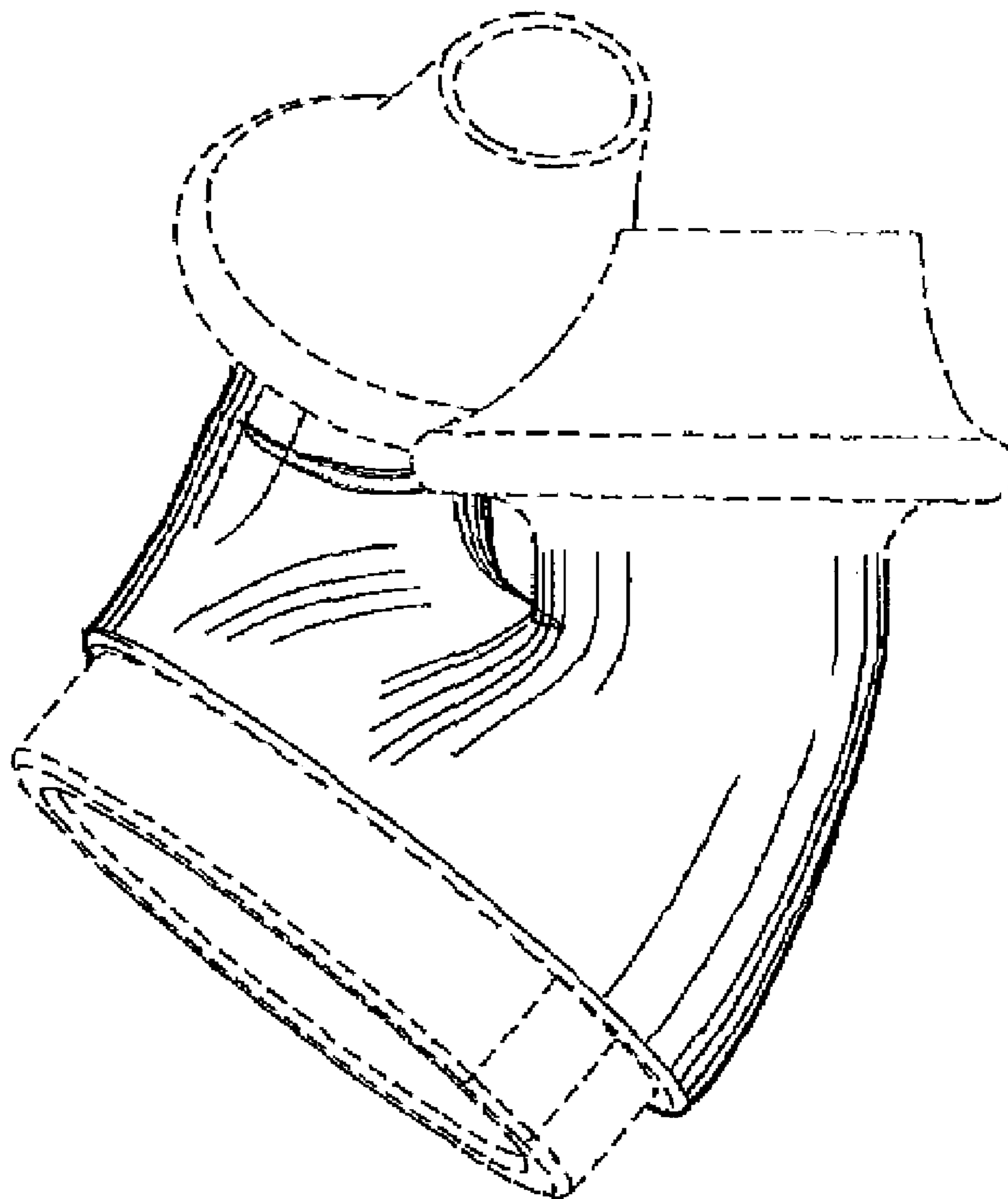


Figure 9

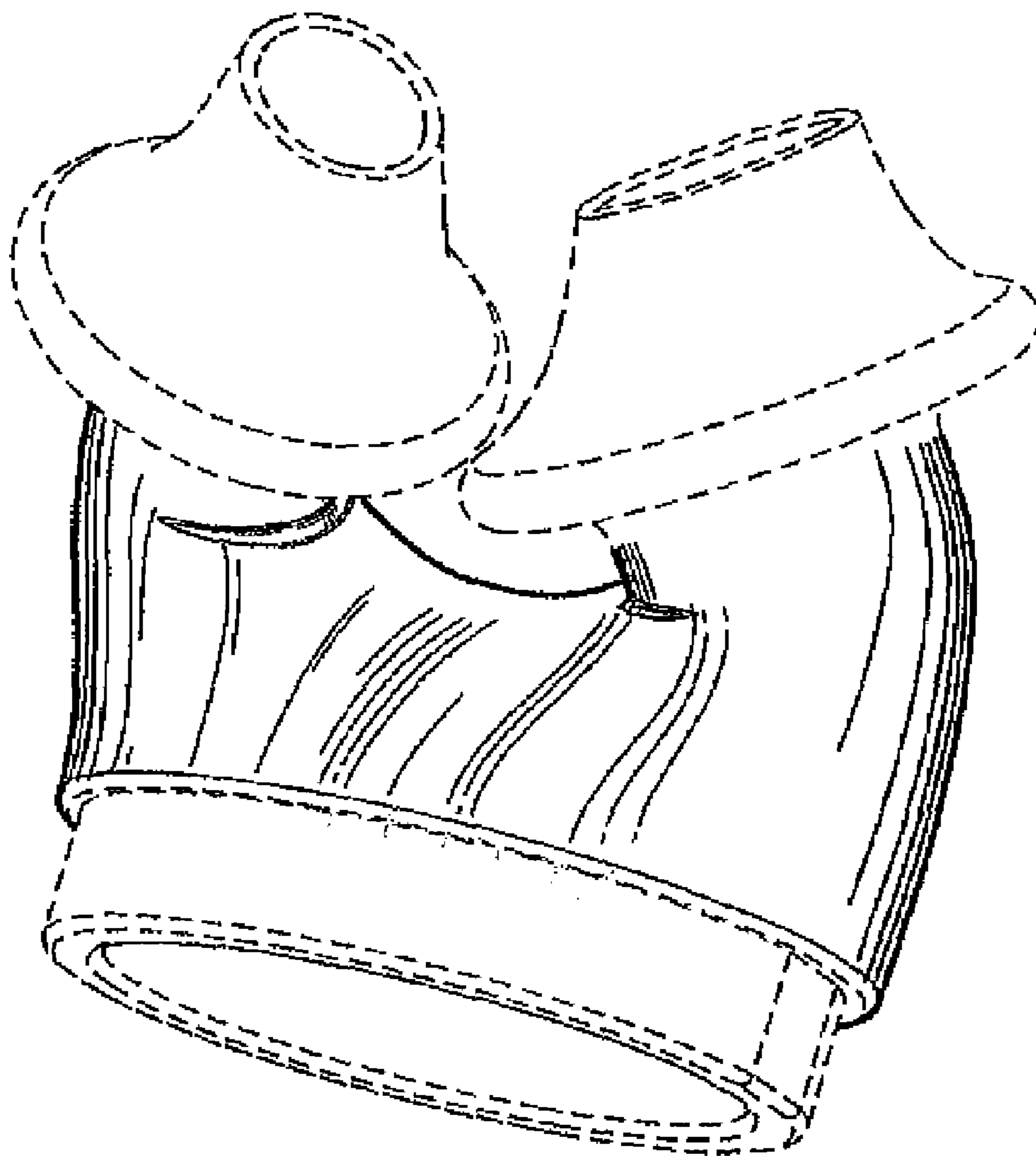


Figure 10