



US00D612927S

(12) **United States Design Patent**
Kortesuo et al.

(10) **Patent No.:** **US D612,927 S**
(45) **Date of Patent:** **** Mar. 30, 2010**

(54) **INTRAUTERINE DEVICE**

(75) Inventors: **Pirjo Kortesuo**, Parainen (FI); **Ulla Calvo Alonso**, Piispanristi (FI); **Pirjo Inki**, Kaarina (FI); **Harri Jukarainen**, Kuusisto (FI); **Ilkka Jutila**, Littoinen (FI); **Juha Lehtinen**, Turku (FI); **Eeva Lukkari-Lax**, Espoo (FI); **Heikki Lyytikainen**, Naantali (FI); **Joachim Moede**, Turku (FI); **Hannu Nikander**, Paattinen (FI); **Pirjo Sallinen**, Berlin (DE); **Taina Tjader**, Littoinen (FI); **Andrew MacLeod**, Harston (GB); **Michael Nobel**, London (GB); **David Whitaker**, London (GB)

(73) Assignee: **Bayer Schering Pharma Oy**, Turku (FI)

(**) Term: **14 Years**

(21) Appl. No.: **29/343,353**

(22) Filed: **Sep. 11, 2009**

Related U.S. Application Data

(62) Division of application No. 29/309,745, filed on Oct. 1, 2008, now Pat. No. Des. 603,038.

(30) **Foreign Application Priority Data**

Apr. 2, 2008 (EP) 000907548-0001
Apr. 2, 2008 (EP) 000907548-0032

(51) **LOC (9) Cl.** **28-01**

(52) **U.S. Cl.** **D24/105**

(58) **Field of Classification Search** D24/105;
128/833, 830, 832, 831, 839; 604/515

See application file for complete search history.

(56) **References Cited**

U.S. PATENT DOCUMENTS

3,407,806 A	10/1968	Hulka et al.
3,431,906 A	3/1969	Taylor
3,442,266 A	5/1969	Krejci
D216,522 S	1/1970	Hunt
D241,078 S	8/1976	Okamoto et al.
4,578,076 A *	3/1986	Luukkainen et al. 128/833
4,841,991 A *	6/1989	Gainutdinova et al. 128/833
D525,705 S	7/2006	Luukkainen
D526,408 S	8/2006	Luukkainen

* cited by examiner

Primary Examiner—Ian Simmons

Assistant Examiner—Christopher Lee

(74) *Attorney, Agent, or Firm*—Birch, Stewart, Kolasch & Birch, LLP

(57) **CLAIM**

The ornamental design for an intrauterine device, as shown and described.

DESCRIPTION

FIG. 1 is a perspective view of an intrauterine device showing our new design;

FIG. 2 is a front view thereof;

FIG. 3 is a rear view thereof;

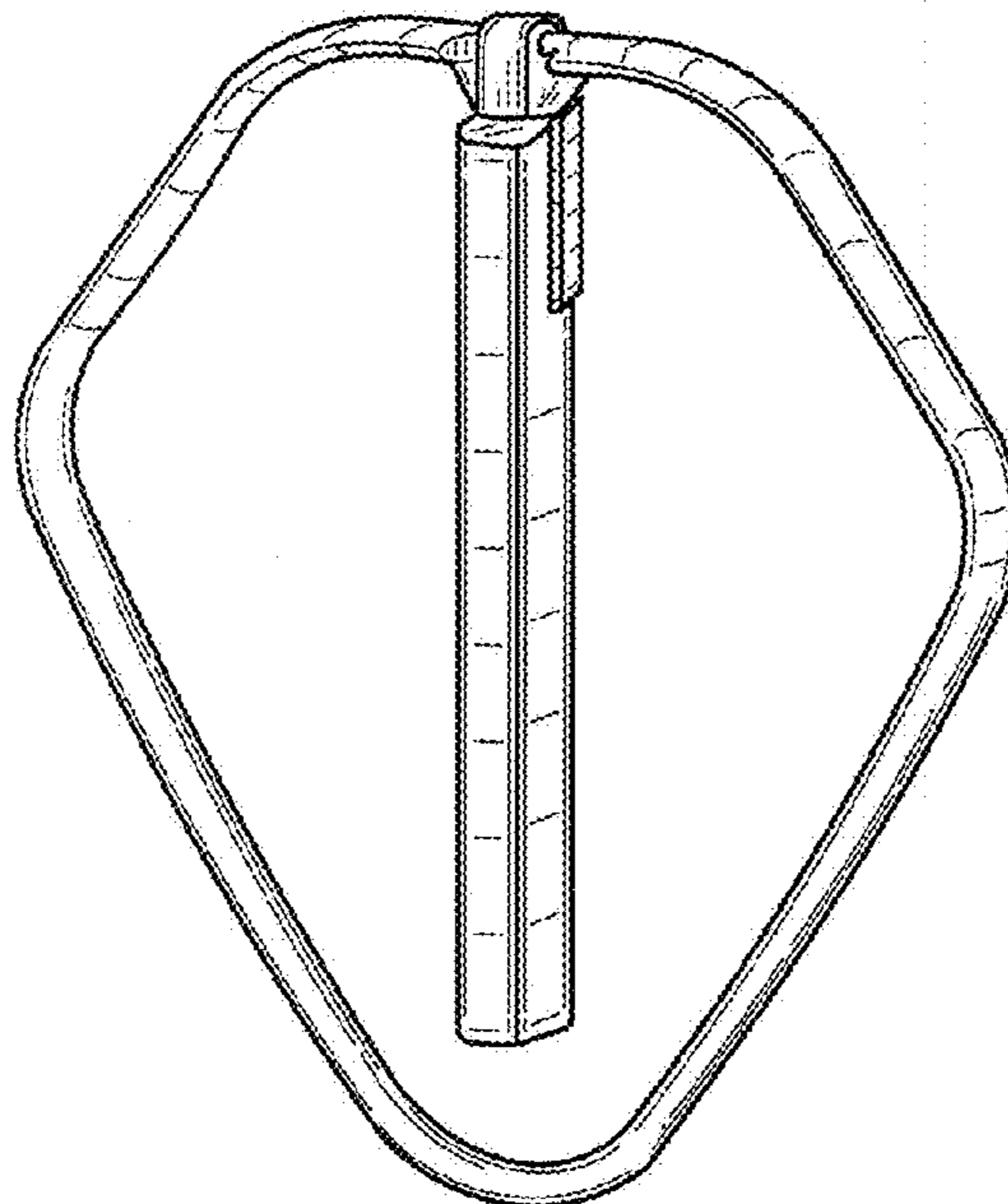
FIG. 4 is a left view thereof;

FIG. 5 is a right side view thereof,

FIG. 6 is a top side view thereof; and,

FIG. 7 is a bottom view thereof.

1 Claim, 2 Drawing Sheets



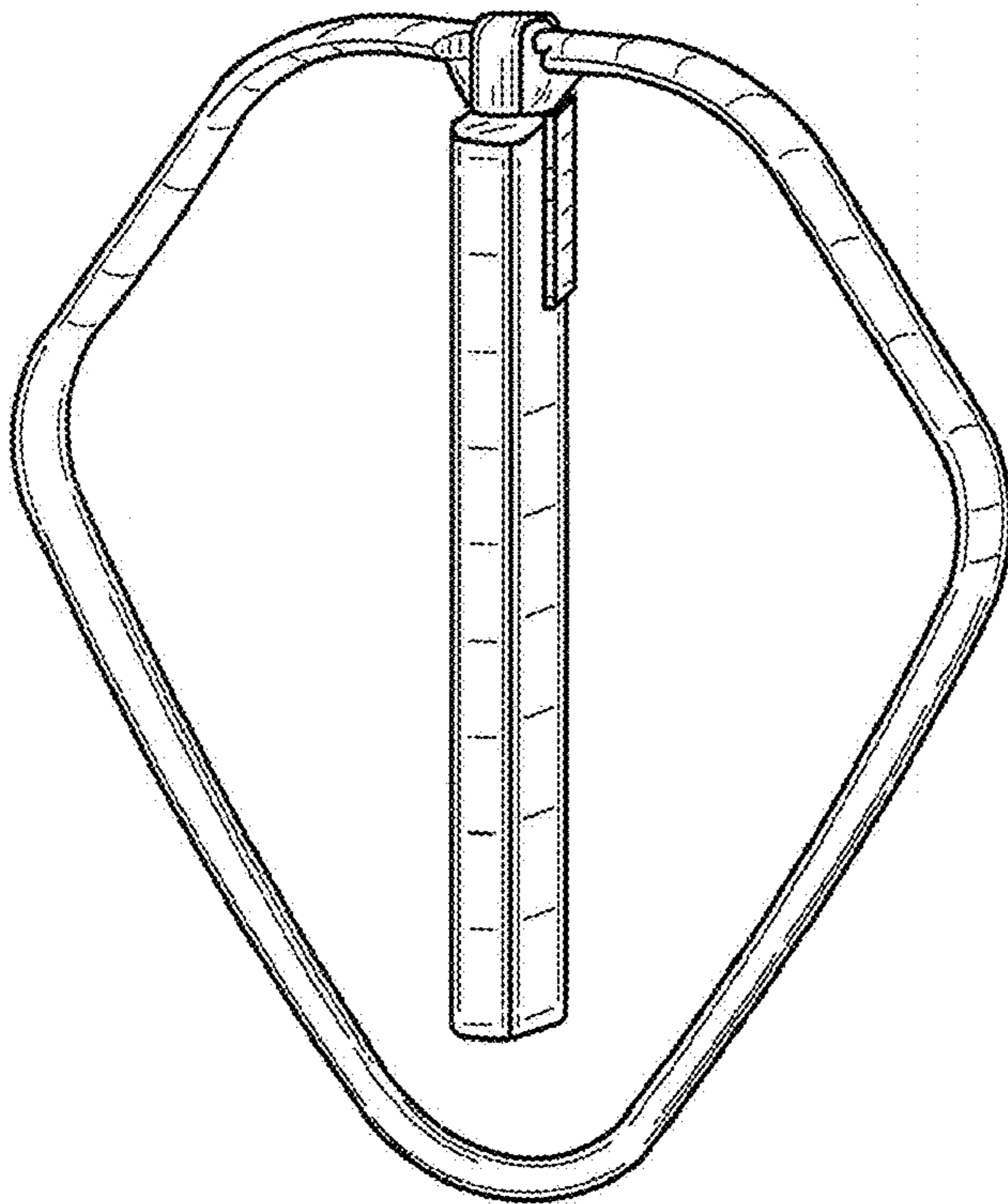


FIG. 1

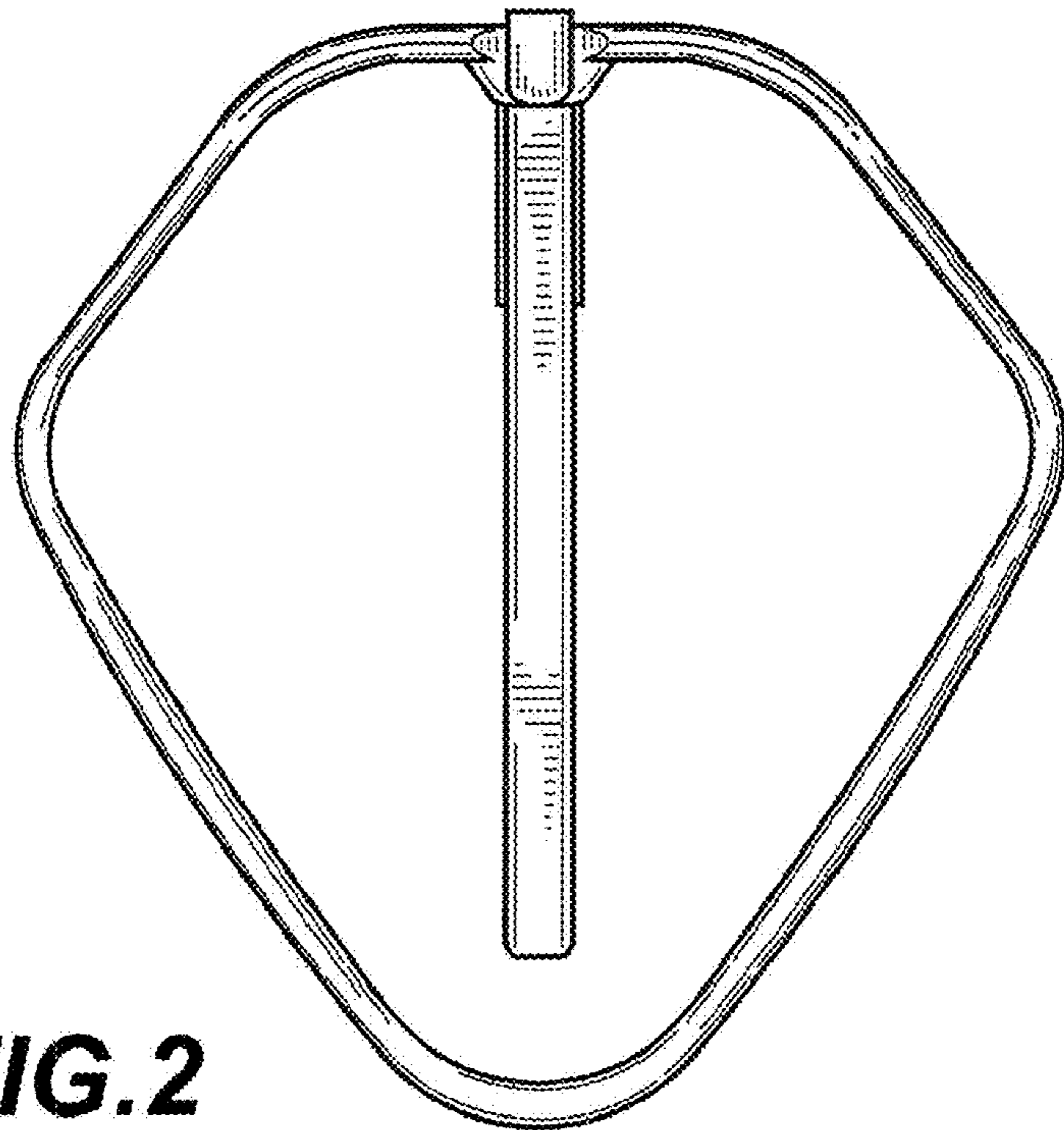


FIG. 2

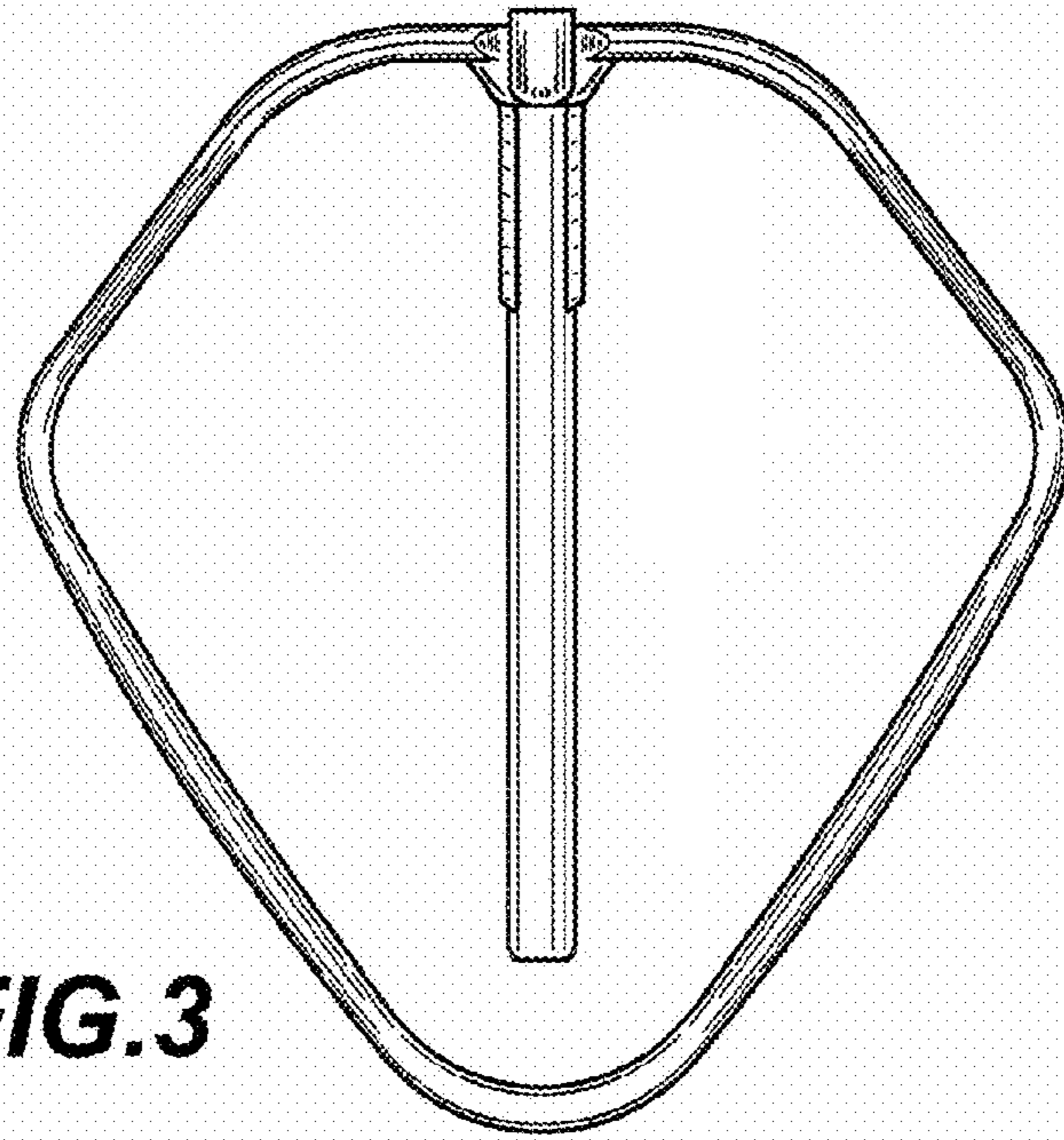


FIG. 3

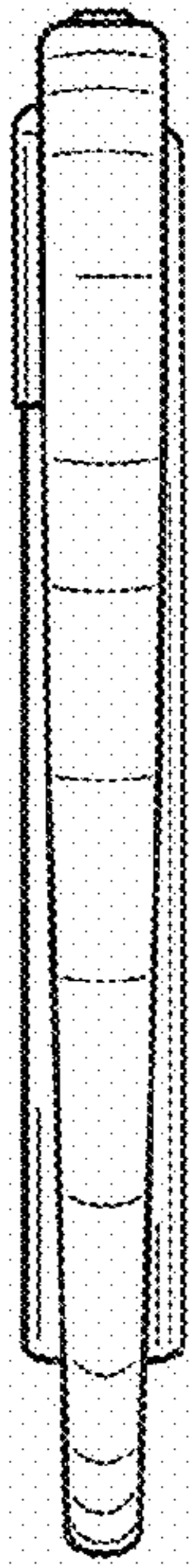


FIG. 4

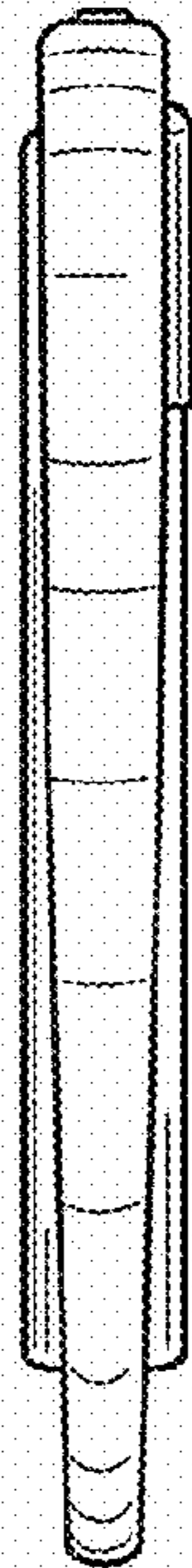


FIG. 5

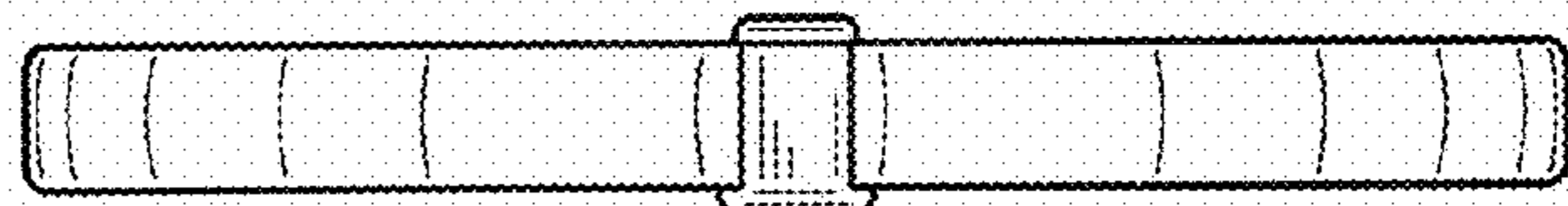


FIG. 6

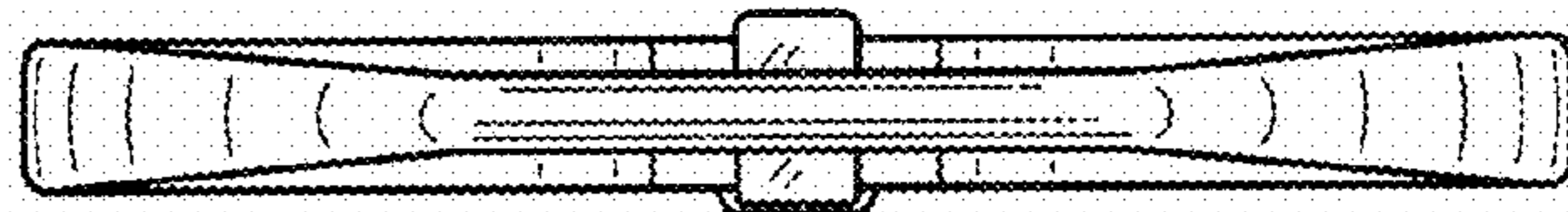


FIG. 7