



US00D612926S

(12) **United States Design Patent**
Kortesuo et al.

(10) **Patent No.:** **US D612,926 S**
(45) **Date of Patent:** **** Mar. 30, 2010**

(54) **INTRAUTERINE DEVICE**

(75) Inventors: **Pirjo Kortesuo**, Parainen (FI); **Ulla Calvo Alonso**, Piispanristi (FI); **Pirjo Inki**, Kaarina (FI); **Harri Jukarainen**, Kuusisto (FI); **Ilkka Jutila**, Littoinen (FI); **Juha Lehtinen**, Turku (FI); **Eeva Lukkari-Lax**, Espoo (FI); **Heikki Lyytikainen**, Naantali (FI); **Joachim Moede**, Turku (FI); **Hannu Nikander**, Paattinen (FI); **Pirjo Sallinen**, Berlin (DE); **Taina Tjader**, Littoinen (FI); **Andrew MacLeod**, Harston (GB); **Michael Nobel**, London (GB); **David Whitaker**, London (GB)

3,407,806 A	10/1968	Hulka et al.	
3,431,906 A	3/1969	Taylor	
3,442,266 A	5/1969	Krejci	
D216,522 S	1/1970	Hunt	
3,923,051 A *	12/1975	Soichet	128/836
D241,078 S	8/1976	Okamoto et al.	
4,005,707 A *	2/1977	Moulding, Jr.	128/839
4,841,991 A *	6/1989	Gainutdinova et al.	128/833
5,494,047 A *	2/1996	Van Os	128/832
D525,705 S	7/2006	Luukkainen	
7,080,647 B2 *	7/2006	Wildemeersch	128/833
D526,408 S	8/2006	Luukkainen	

(73) Assignee: **Bayer Schering Pharma Oy**, Turku (FI)

* cited by examiner

(**) Term: **14 Years**

Primary Examiner—Ian Simmons

Assistant Examiner—Christopher Lee

(21) Appl. No.: **29/343,351**

(74) *Attorney, Agent, or Firm*—Birch, Stewart, Kolasch & Birch, LLP

(22) Filed: **Sep. 11, 2009**

(57) **CLAIM**

Related U.S. Application Data

The ornamental design for an intrauterine device, as shown and described.

(62) Division of application No. 29/309,745, filed on Oct. 1, 2008, now Pat. No. Des. 603,038.

(30) **Foreign Application Priority Data**

DESCRIPTION

Apr. 2, 2008 (EM) 000907548-0001
Apr. 2, 2008 (EM) 000907548-0032

FIG. 1 is a perspective view of an intrauterine device showing our new design;

(51) **LOC (9) Cl.** **28-01**

(52) **U.S. Cl.** **D24/105**

FIG. 2 is a front view thereof, a rear view being identical thereto;

(58) **Field of Classification Search** D24/105;
128/833, 830, 832, 831, 839; 604/515
See application file for complete search history.

FIG. 3 is a right side view thereof, a left side view being identical thereto,

(56) **References Cited**

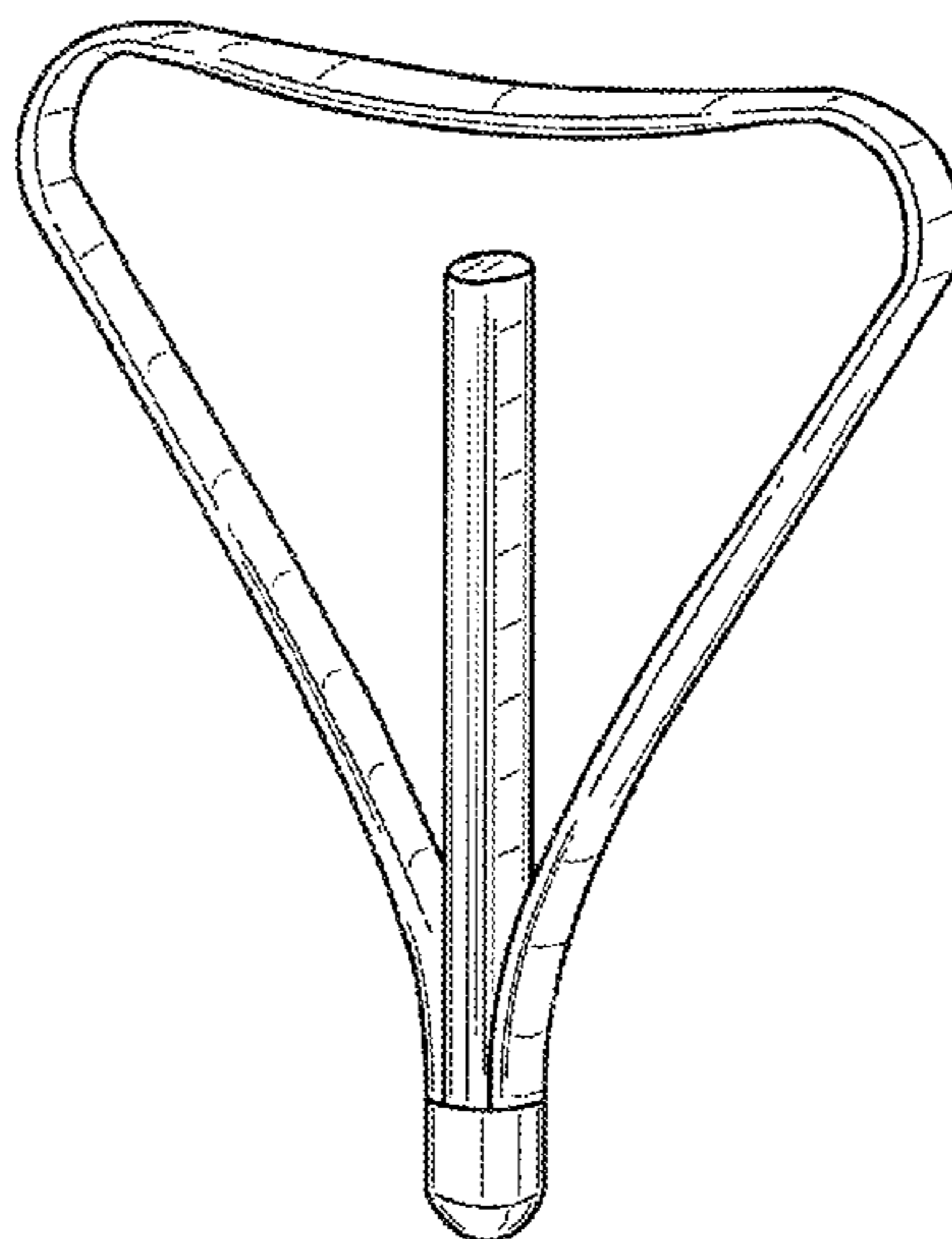
FIG. 4 is a top view thereof; and,

U.S. PATENT DOCUMENTS

FIG. 5 is a bottom view thereof.

3,397,690 A * 8/1968 Majzlin 128/839

1 Claim, 2 Drawing Sheets



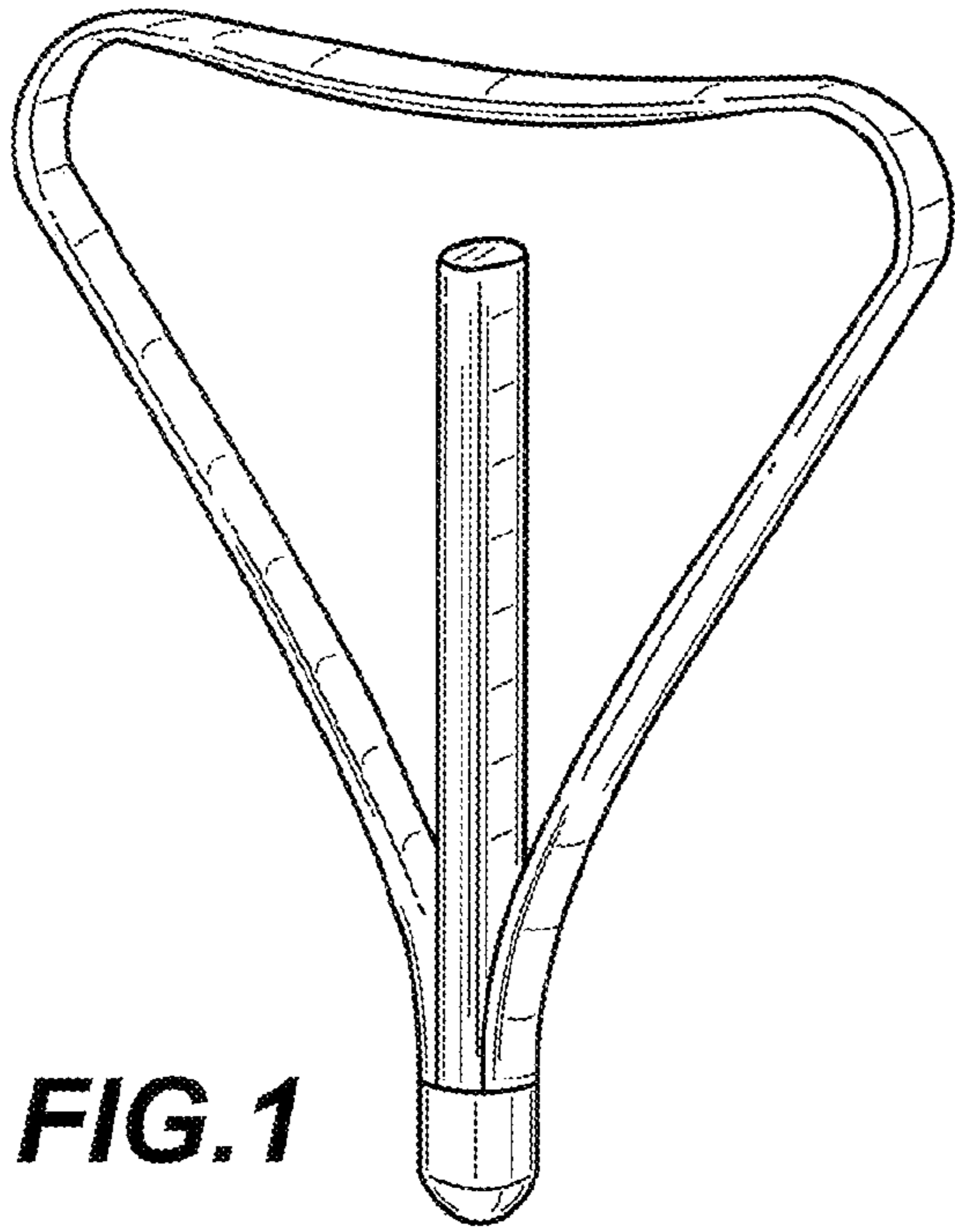


FIG.1

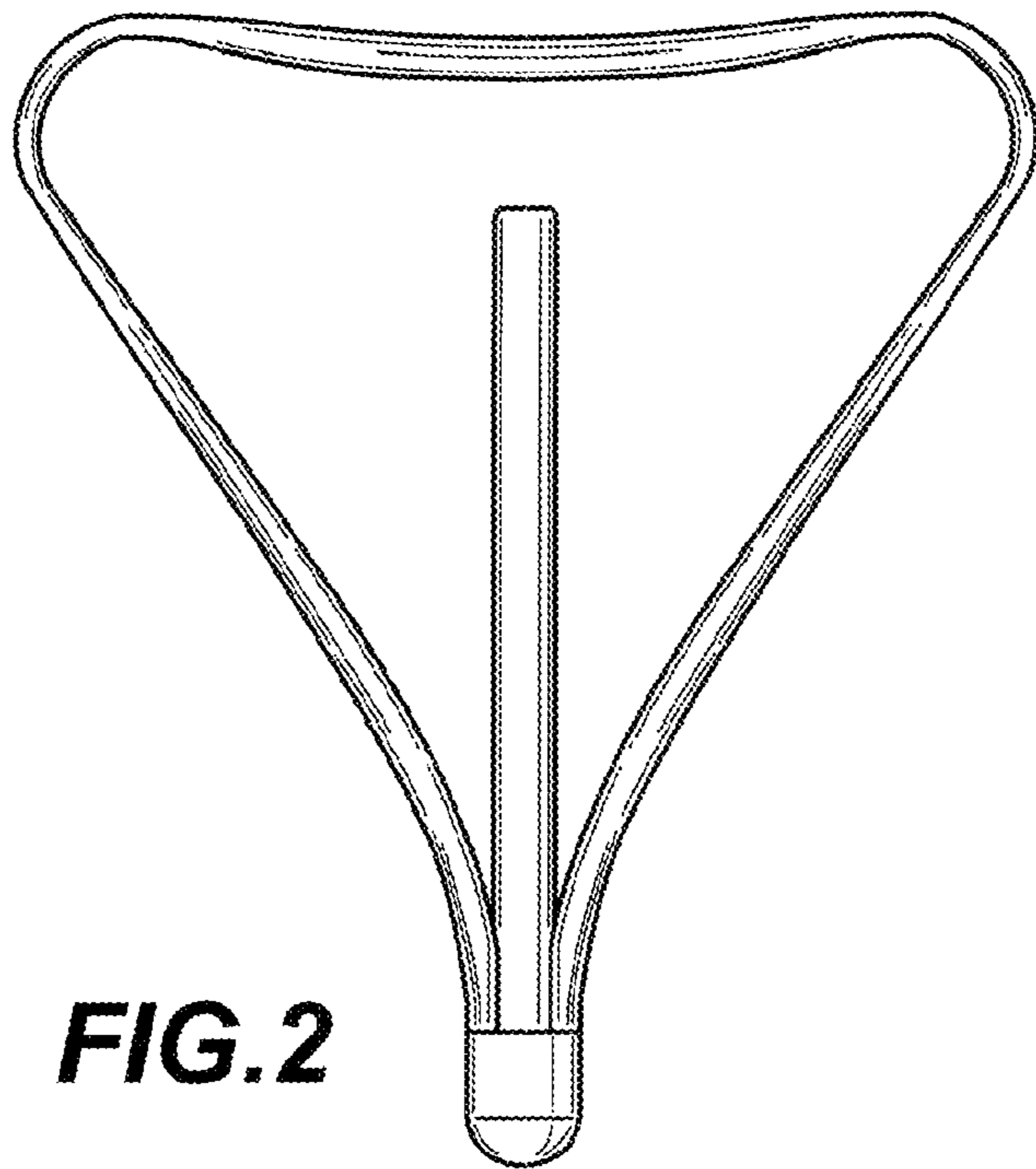


FIG.2

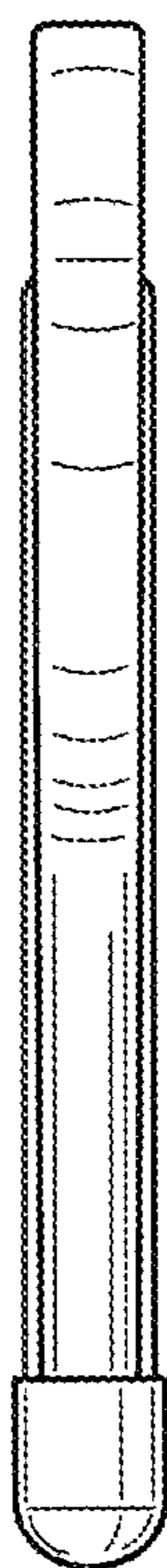


FIG. 3



FIG. 4



FIG. 5