



US00D612925S

(12) **United States Design Patent**
Kameyama et al.

(10) **Patent No.:** **US D612,925 S**
(45) **Date of Patent:** **** Mar. 30, 2010**

(54) **DUCT JOINT**

(75) Inventors: **Shuji Kameyama**, Hyogo (JP); **Masato Doyama**, Hyogo (JP)

(73) Assignee: **Noritz Corporation**, Hyogo (JP)

(**) Term: **14 Years**

(21) Appl. No.: **29/347,078**

(22) Filed: **Sep. 17, 2009**

(30) **Foreign Application Priority Data**

May 22, 2009 (JP) D2009-011430

(51) **LOC (9) Cl.** **23-04**

(52) **U.S. Cl.** **D23/393**

(58) **Field of Classification Search** D23/393,
D23/373, 374, 387, 386, 394, 499, 262; 52/219,
52/199, 58, 19; 454/242, 250, 3, 5, 275,
454/12; 285/42-44, 236

See application file for complete search history.

(56) **References Cited**

U.S. PATENT DOCUMENTS

- 4,461,066 A * 7/1984 Peterson 52/199
- D386,577 S * 11/1997 Haydock et al. D23/374
- D417,497 S * 12/1999 Schroeter et al. D23/393
- D427,668 S * 7/2000 Stout, Jr. D23/262
- D495,404 S * 8/2004 Wilk et al. D23/262
- D517,666 S * 3/2006 Wilk et al. D23/262
- D523,123 S * 6/2006 Wilk et al. D23/262

- D524,427 S * 7/2006 Wilk et al. D23/262
- D537,934 S * 3/2007 Crook D23/393
- D551,336 S * 9/2007 Haggkvist D23/386
- D558,325 S * 12/2007 Karnes D23/393
- D583,026 S * 12/2008 Dirneder D23/262
- D599,894 S * 9/2009 Price et al. D23/262

* cited by examiner

Primary Examiner—T. Chase Nelson

Assistant Examiner—David G Muller

(74) *Attorney, Agent, or Firm*—Rader, Fishman & Grauer, PLLC

(57) **CLAIM**

The ornamental design for a duct joint, as shown and described.

DESCRIPTION

FIG. 1 is a top perspective view of a duct joint showing our new design;

FIG. 2 is a bottom perspective view thereof;

FIG. 3 is a front elevational view thereof, a rear elevational view thereof being a mirror image;

FIG. 4 is a right side elevational view thereof, a left side elevational view thereof being a mirror image;

FIG. 5 is a top plan view thereof;

FIG. 6 is a bottom plan view thereof; and,

FIG. 7 is a cross sectional view thereof, taken along a line 7-7 of FIG. 5.

1 Claim, 7 Drawing Sheets

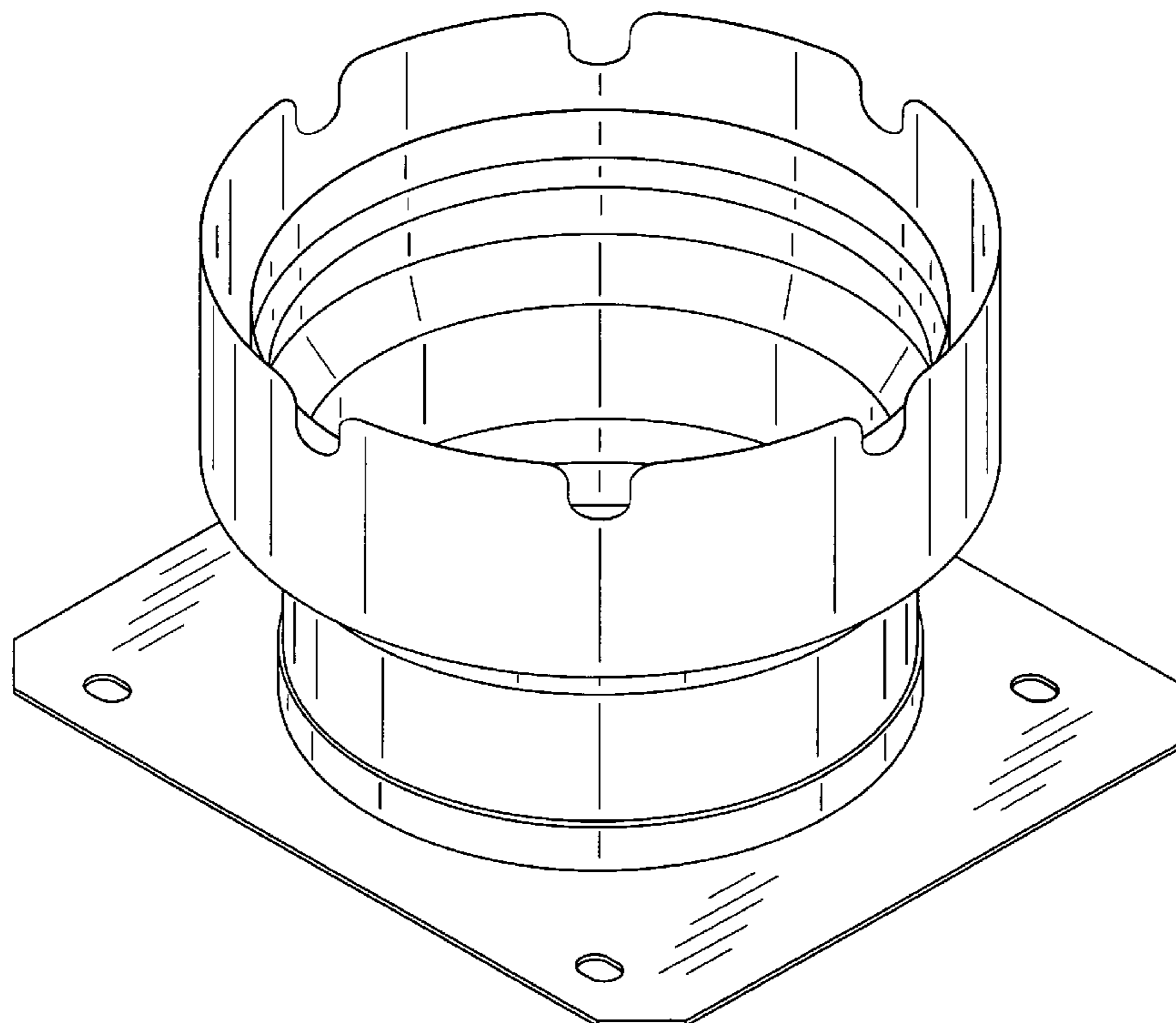


FIG. 1

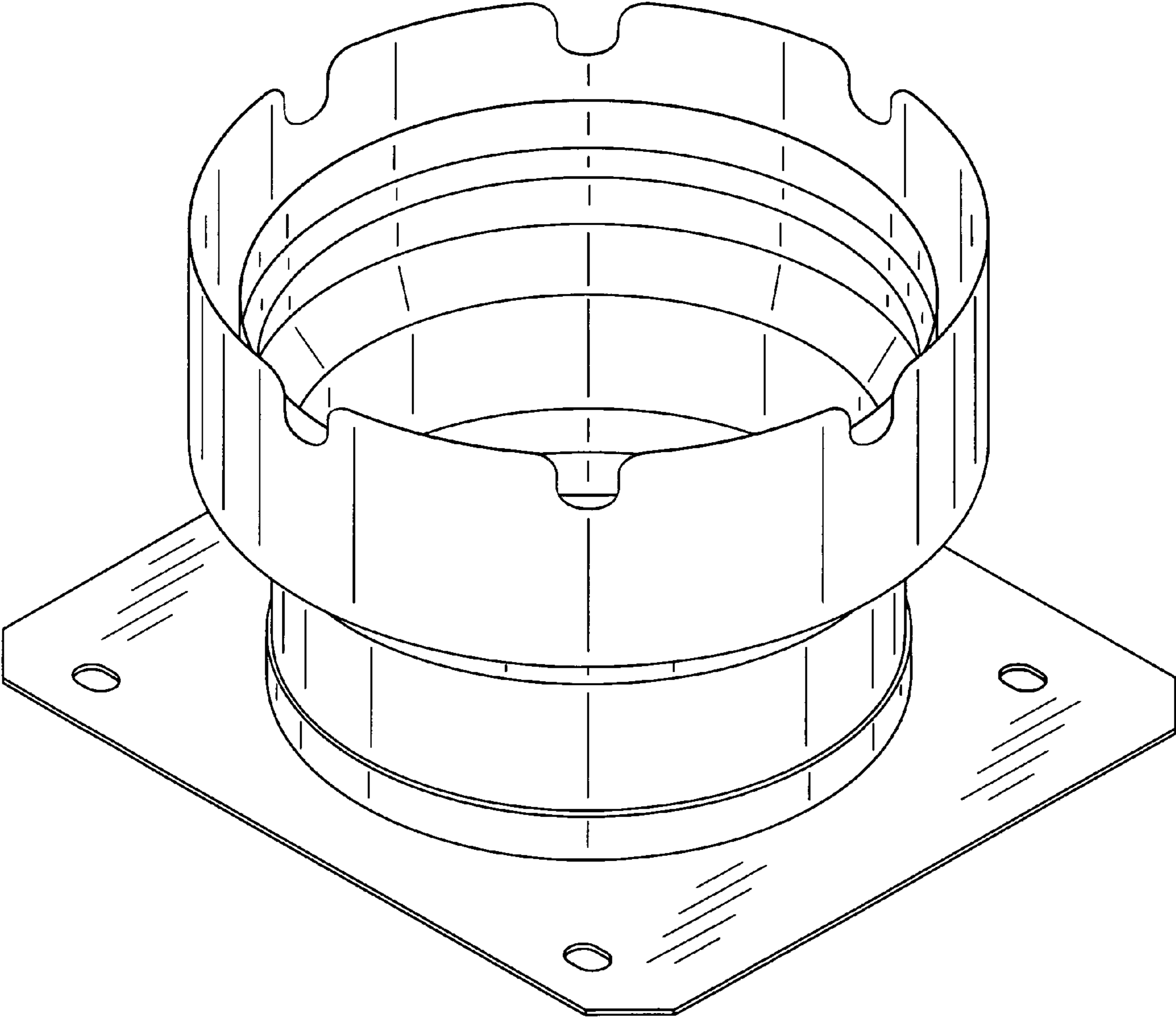


FIG. 2

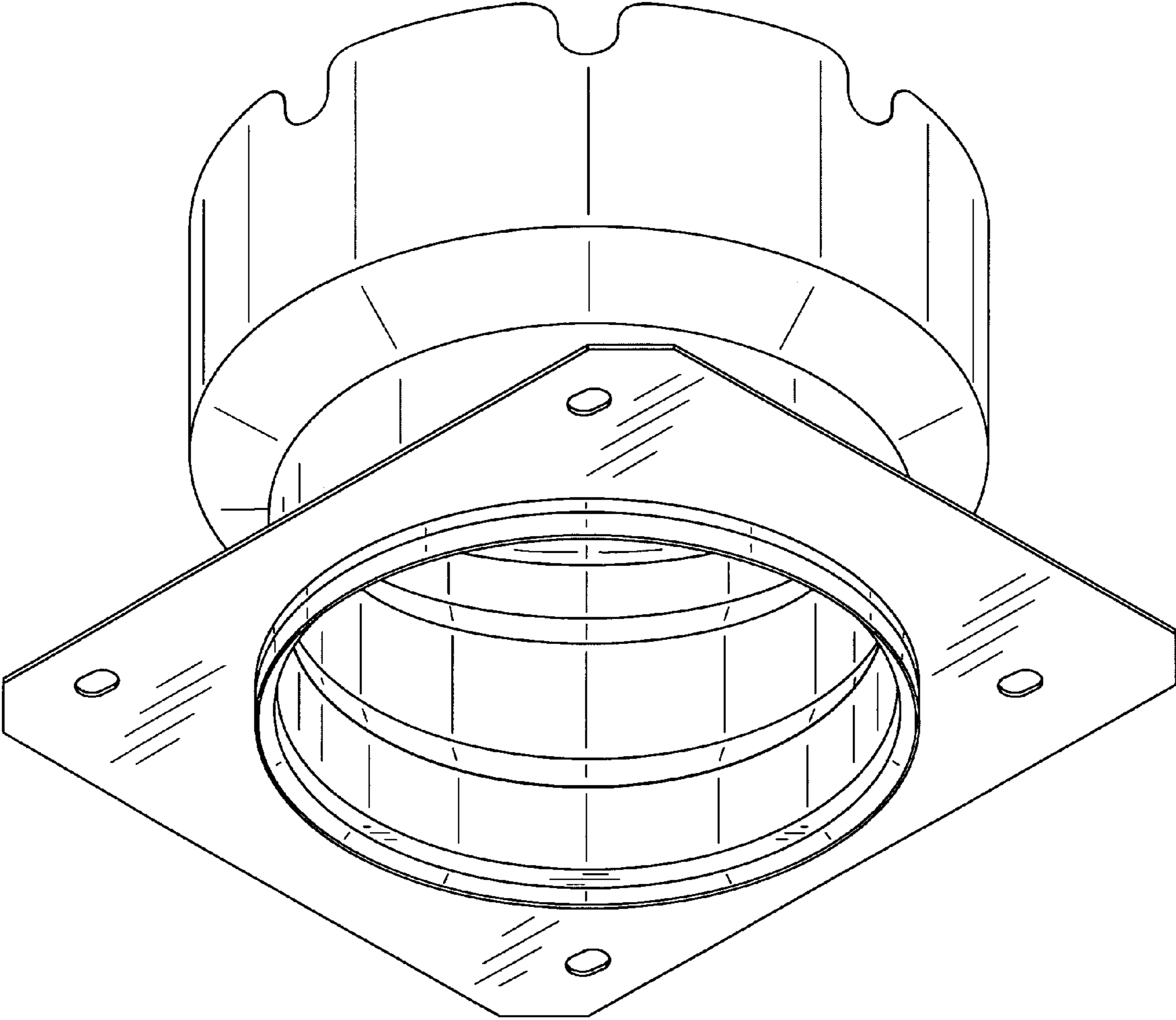


FIG. 3

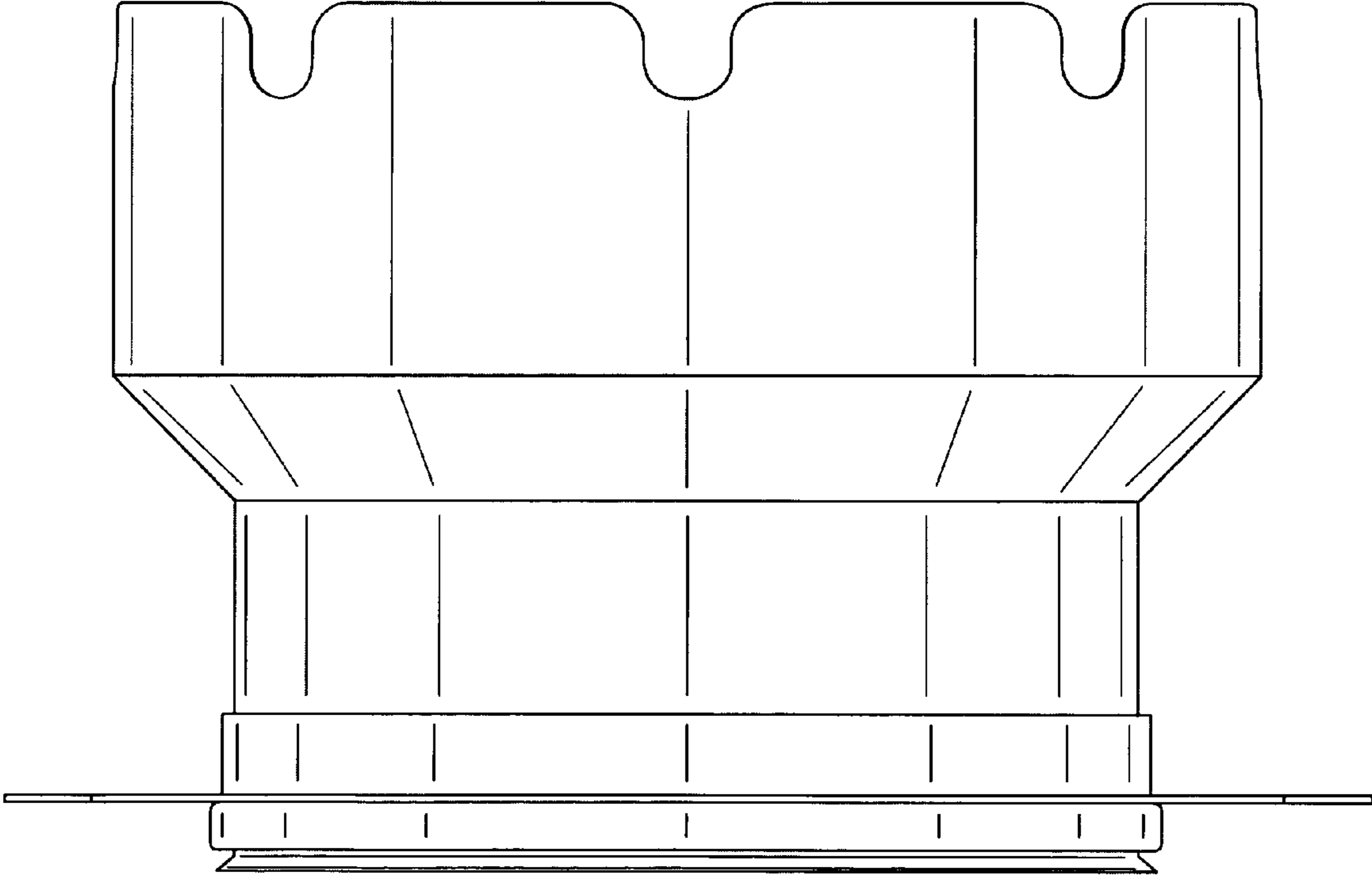


FIG. 4

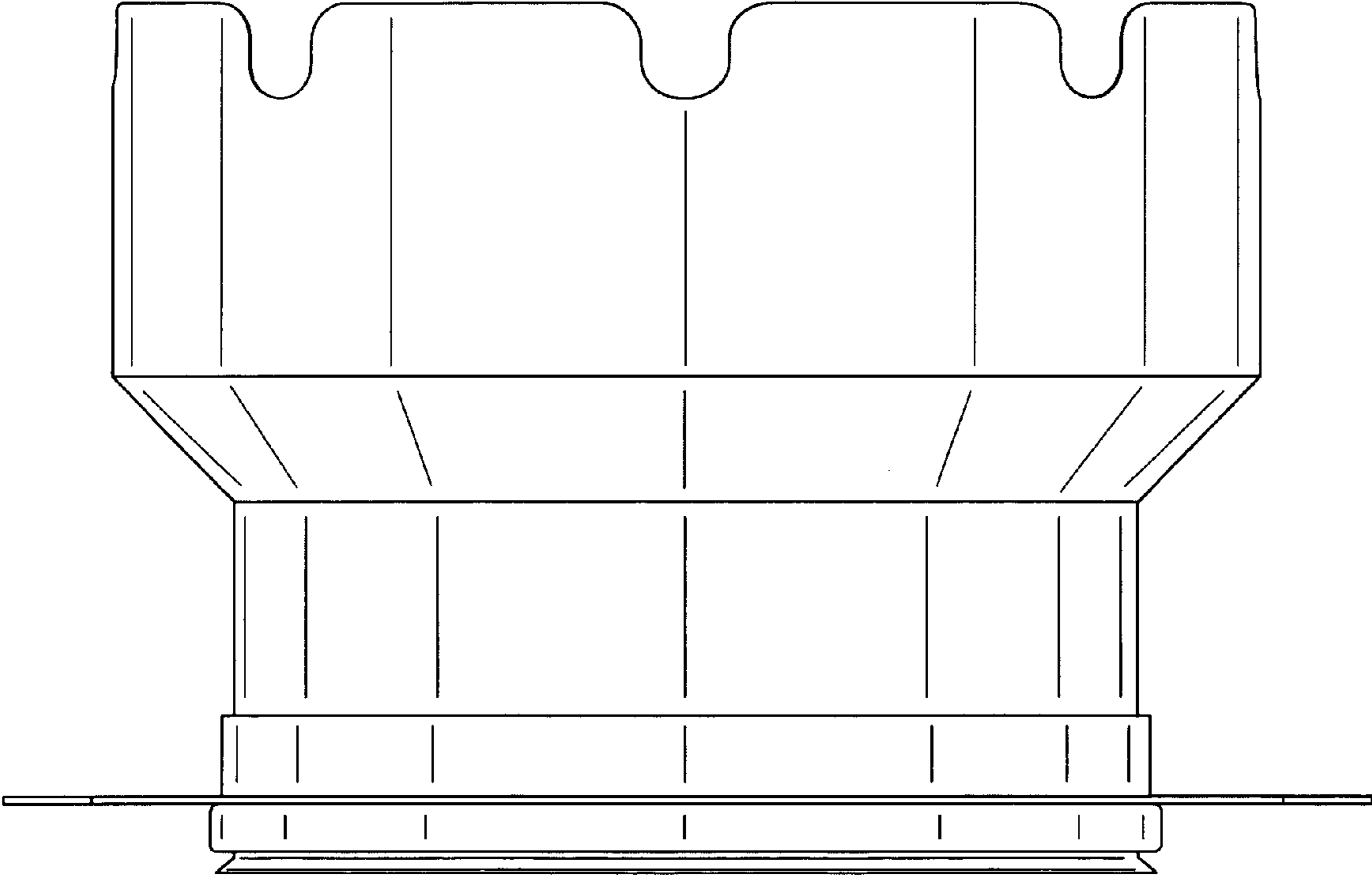


FIG. 5

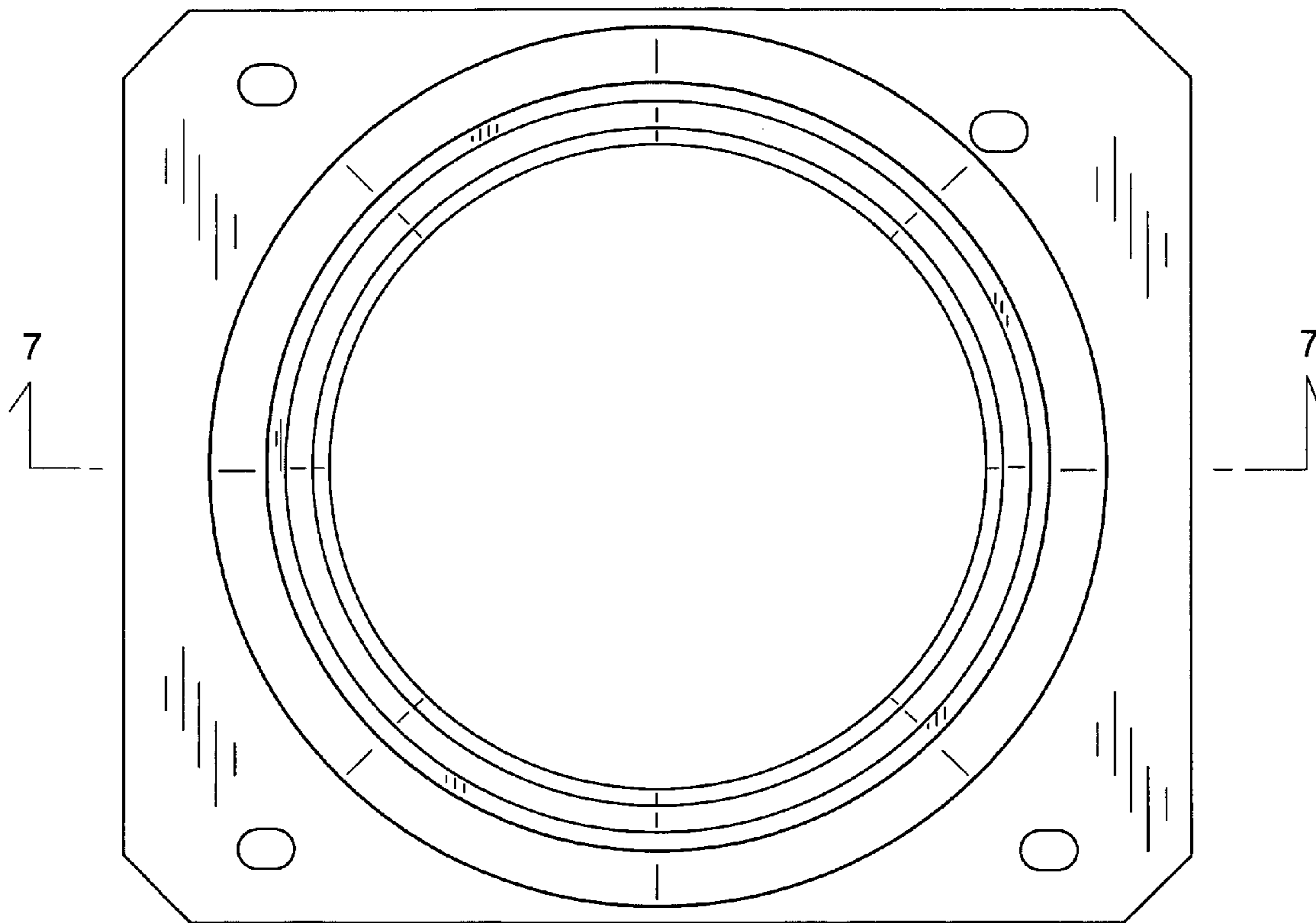


FIG. 6

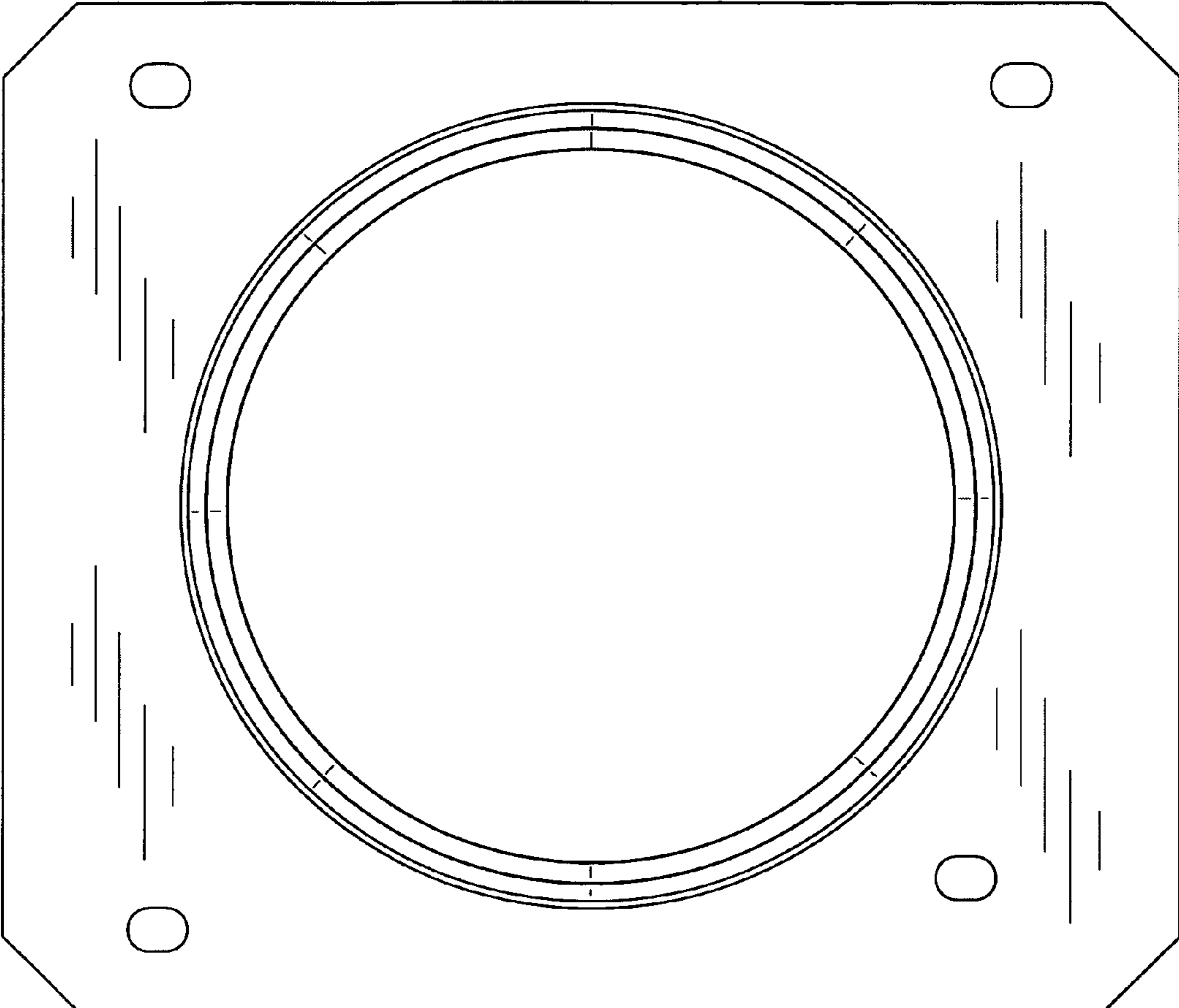


FIG. 7

