



US00D612924S

(12) **United States Design Patent**  
**Jörgensen**

(10) **Patent No.:** **US D612,924 S**  
(45) **Date of Patent:** **\*\* Mar. 30, 2010**

(54) **LANTERN-SHAPED AROMA DIFFUSER**

(75) Inventor: **Carsten Jörgensen**, Kastanienbaum  
(CH)

(73) Assignee: **Ming Jen Hsiao**, Miaoli County (TW)

(\*\*) Term: **14 Years**

(21) Appl. No.: **29/336,449**

(22) Filed: **May 4, 2009**

(51) **LOC (9) Cl.** ..... **28-99**

(52) **U.S. Cl.** ..... **D23/366**

(58) **Field of Classification Search** ..... D23/355-369;  
D28/5, 6; 261/DIG. 17, DIG. 42, DIG. 65,  
261/DIG. 88, DIG. 89; 239/34, 35, 36, 44,  
239/45, 48, 52, 53, 55, 56, 57, 60, 302, 303,  
239/326, 380; 392/336, 390, 392, 394, 395;  
D26/49; D10/104, 111, 114, 120, 10  
See application file for complete search history.

(56) **References Cited**

**U.S. PATENT DOCUMENTS**

- D272,086 S \* 1/1984 Gehlke ..... D23/364
- 4,889,286 A \* 12/1989 Spector ..... 239/47
- 5,110,636 A \* 5/1992 Hou ..... 428/11
- D330,757 S \* 11/1992 DeLaney et al. .... D23/364
- D345,788 S \* 4/1994 Green ..... D23/366
- D384,909 S \* 10/1997 Lenhard ..... D11/157
- 5,851,442 A \* 12/1998 Spector ..... 261/30
- D422,692 S \* 4/2000 Quinones ..... D23/367
- D438,297 S \* 2/2001 Audebourg ..... D23/366
- D449,677 S \* 10/2001 Denham et al. .... D23/364

- D450,110 S \* 11/2001 Montagnino et al. .... D23/356
- 6,449,887 B1 \* 9/2002 Song ..... 40/406
- 6,644,834 B2 \* 11/2003 Christen ..... 362/311.09
- 6,938,833 B2 \* 9/2005 Chen ..... 239/44
- D522,641 S \* 6/2006 Matsuda et al. .... D23/366
- D522,642 S \* 6/2006 Matsuda et al. .... D23/366
- D531,294 S \* 10/2006 Kazakevicius et al. .... D23/366
- D588,252 S \* 3/2009 Conway et al. .... D23/366
- 2003/0196357 A1 \* 10/2003 Knapp et al. .... 40/410

\* cited by examiner

*Primary Examiner*—Sandra Snapp

(74) *Attorney, Agent, or Firm*—Ming Chow; Sinorica, LLC

(57) **CLAIM**

The ornamental design for a lantern-shaped aroma diffuser, as shown and described.

**DESCRIPTION**

FIG. 1 is a perspective view of the design for a lantern-shaped aroma diffuser;

FIG. 2 is a front view of the design;

FIG. 3 is a rear view of the design;

FIG. 4 is a left side view of the design;

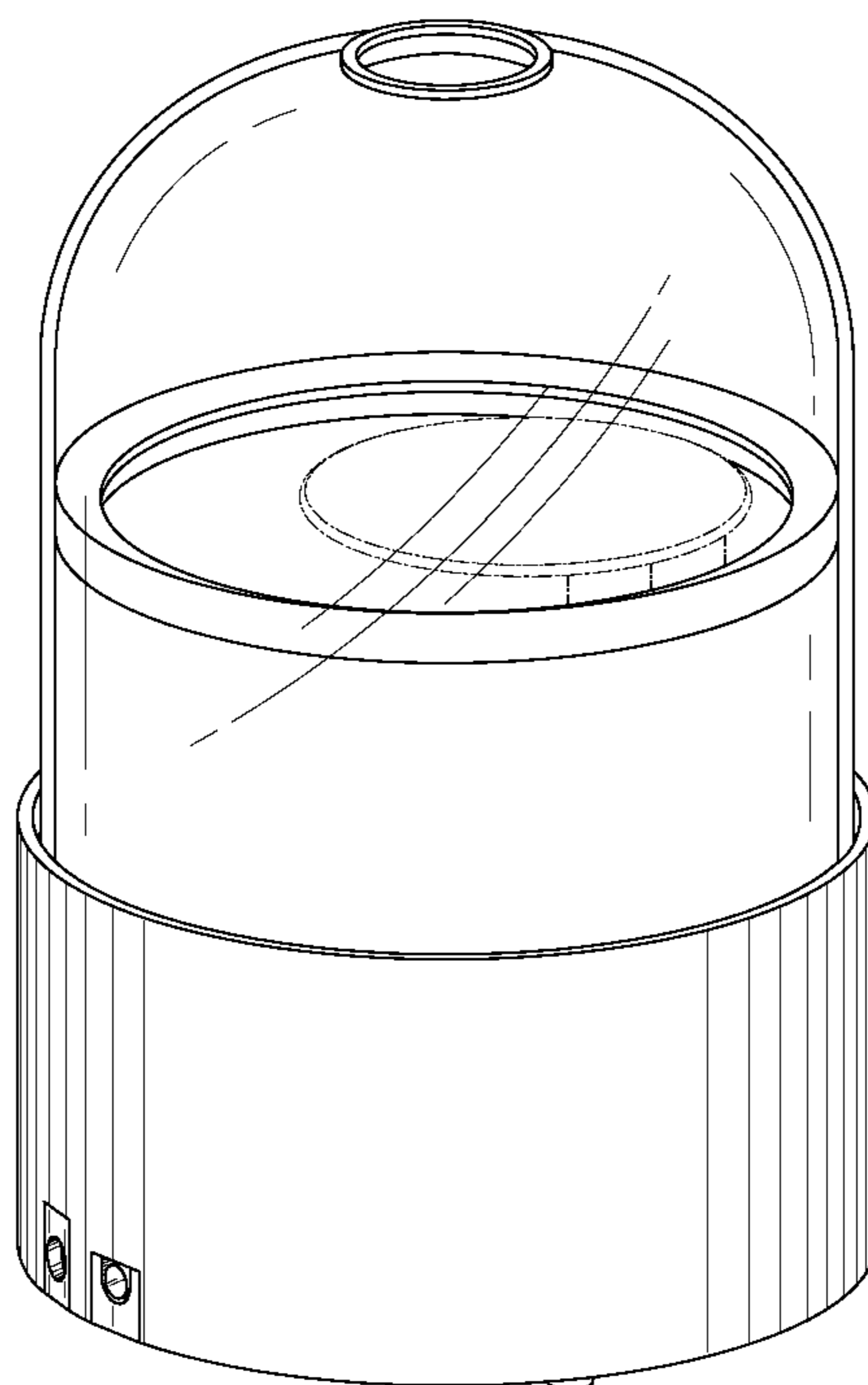
FIG. 5 is a right side view of the design;

FIG. 6 is a top view of the design; and,

FIG. 7 is a bottom view of the design.

The broken lines shown in the drawings are for illustrative purposes only and form no part of the claimed design.

**1 Claim, 7 Drawing Sheets**



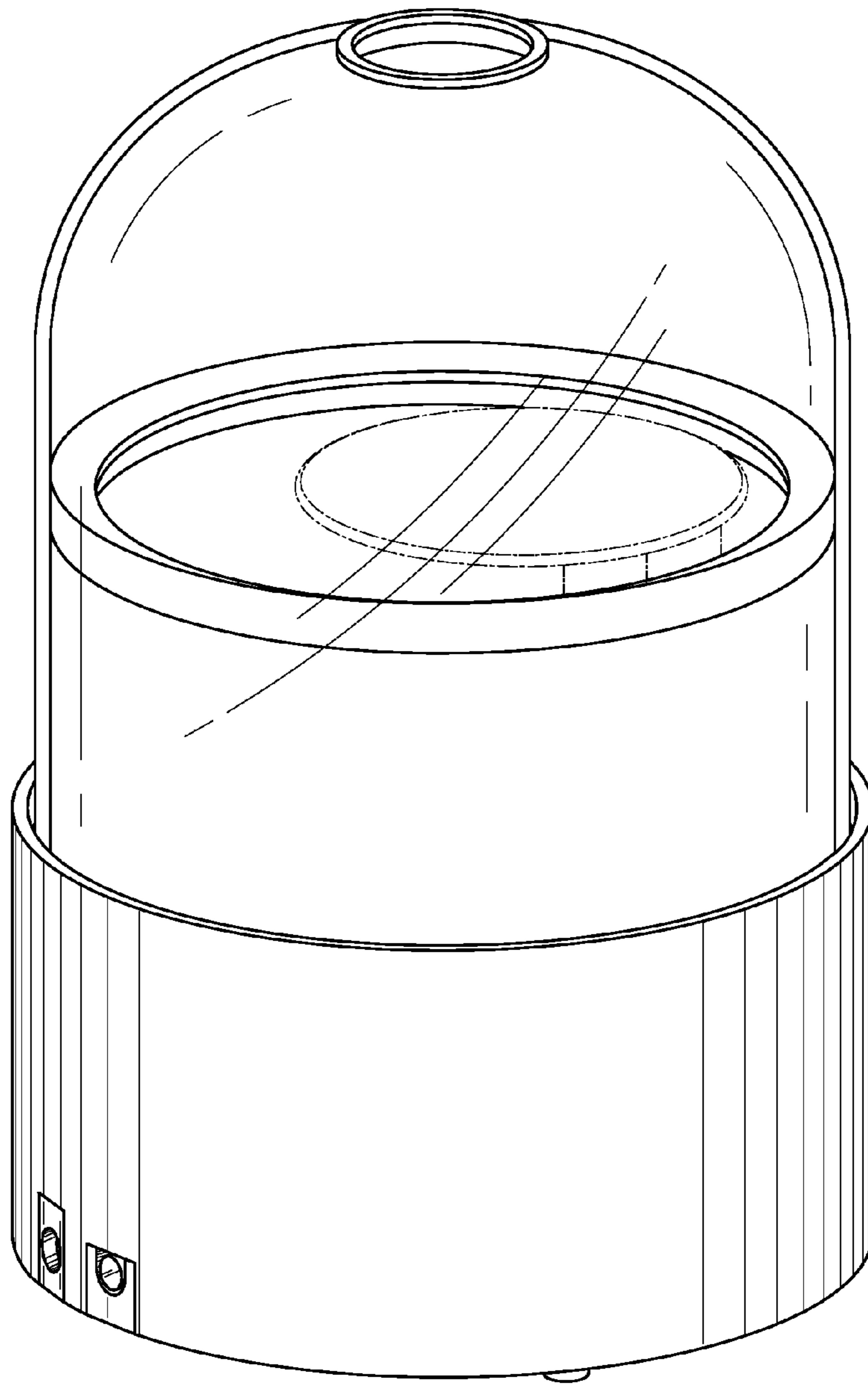


Fig. 1

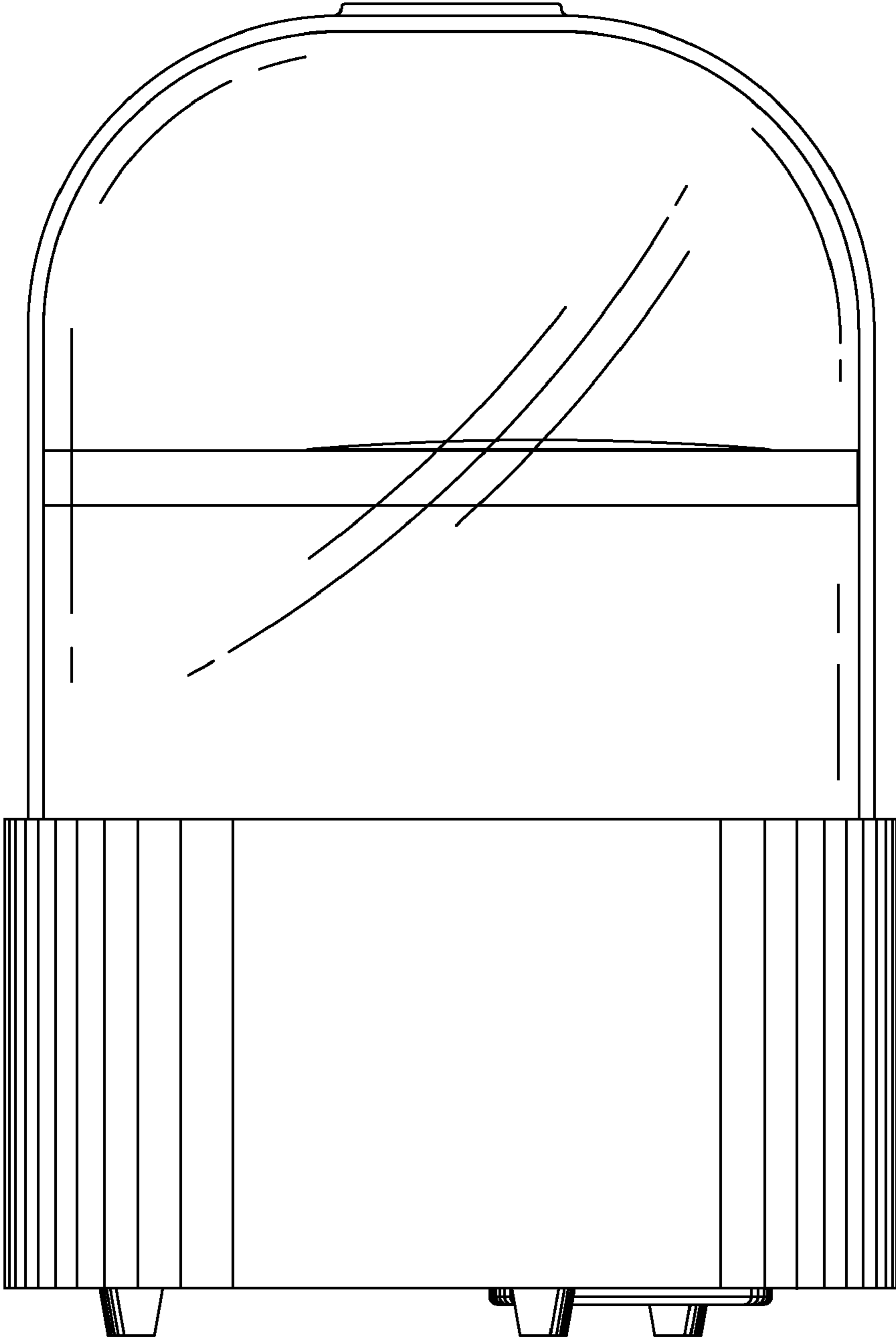


Fig. 2

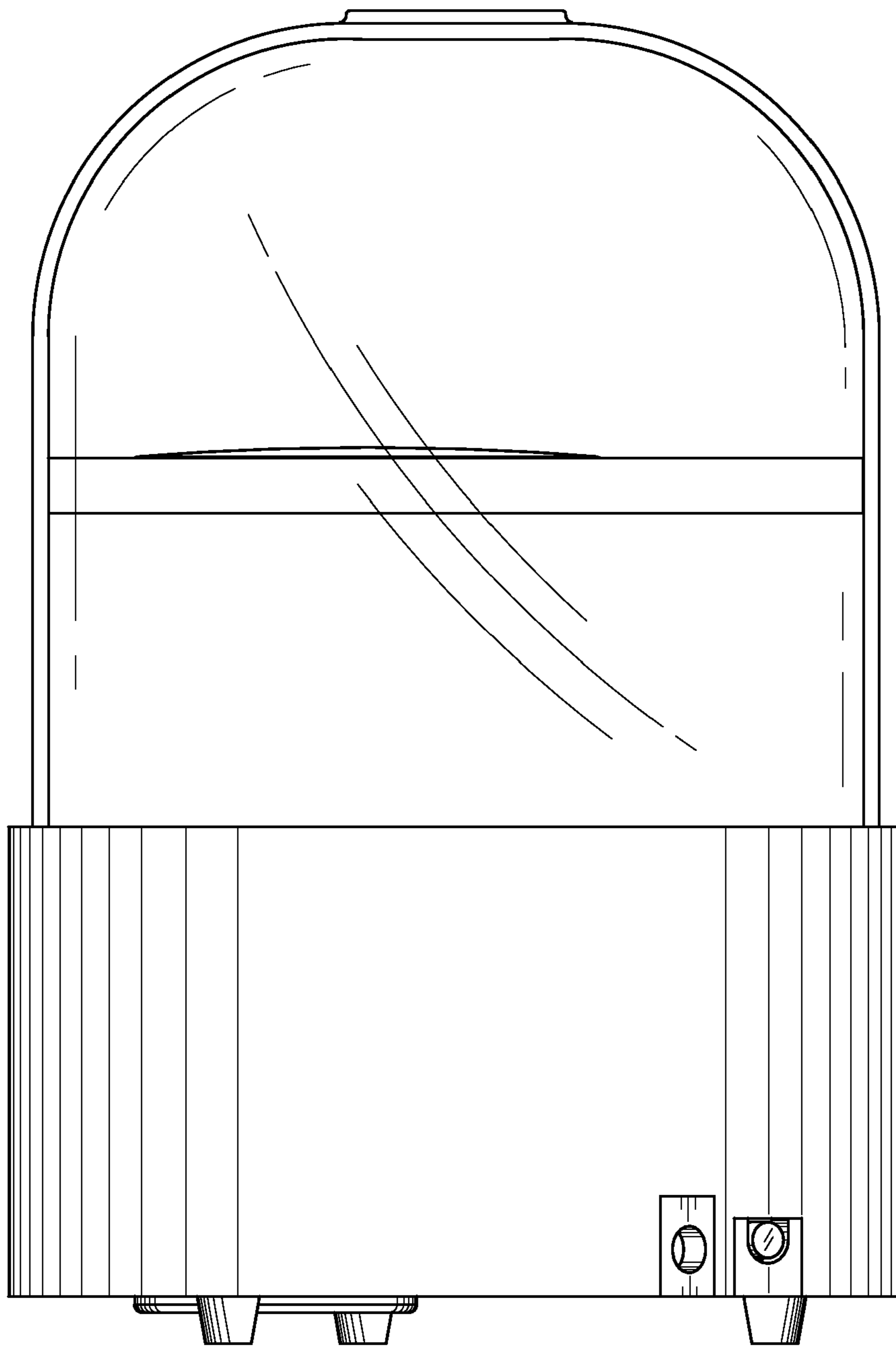


Fig. 3

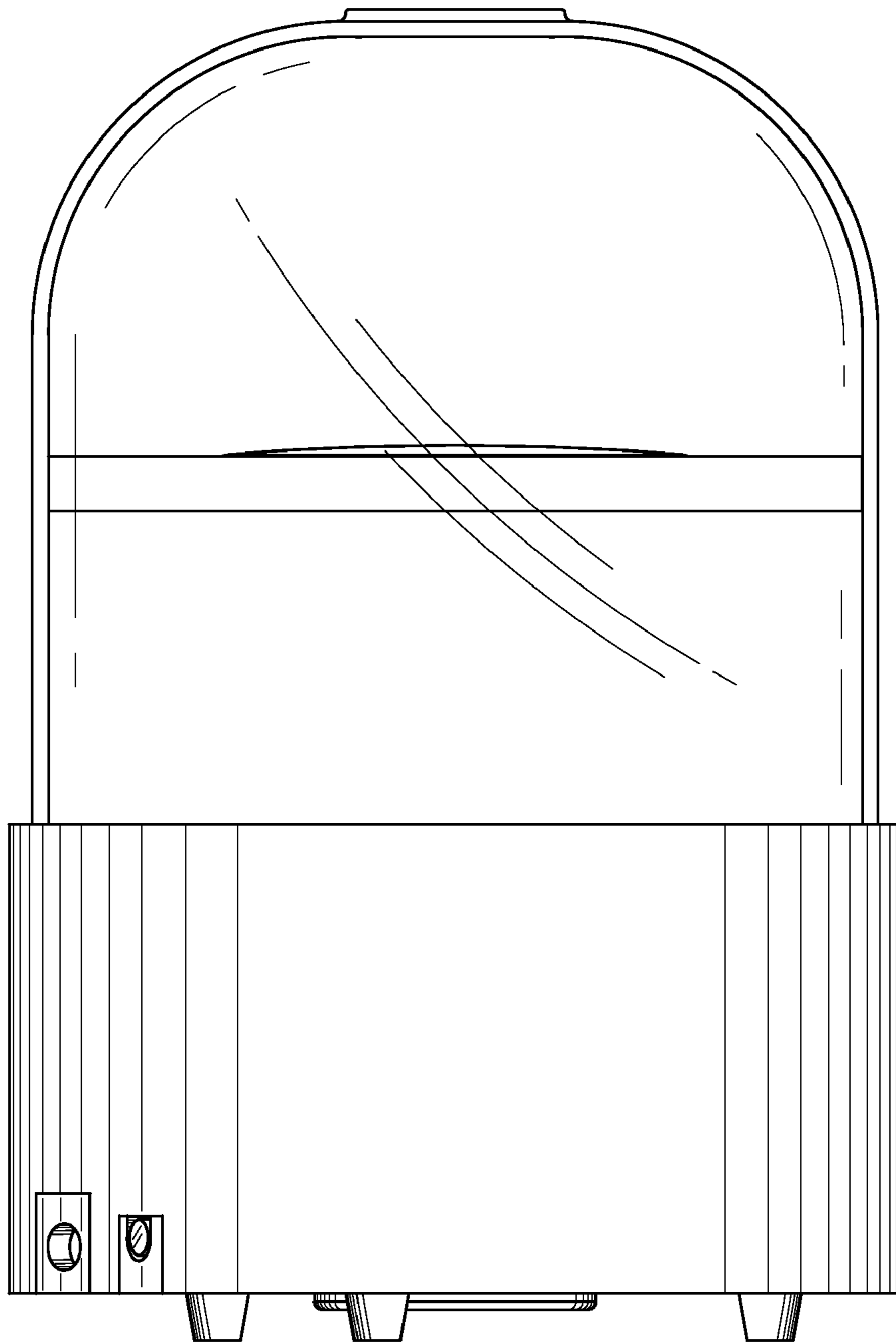


Fig. 4

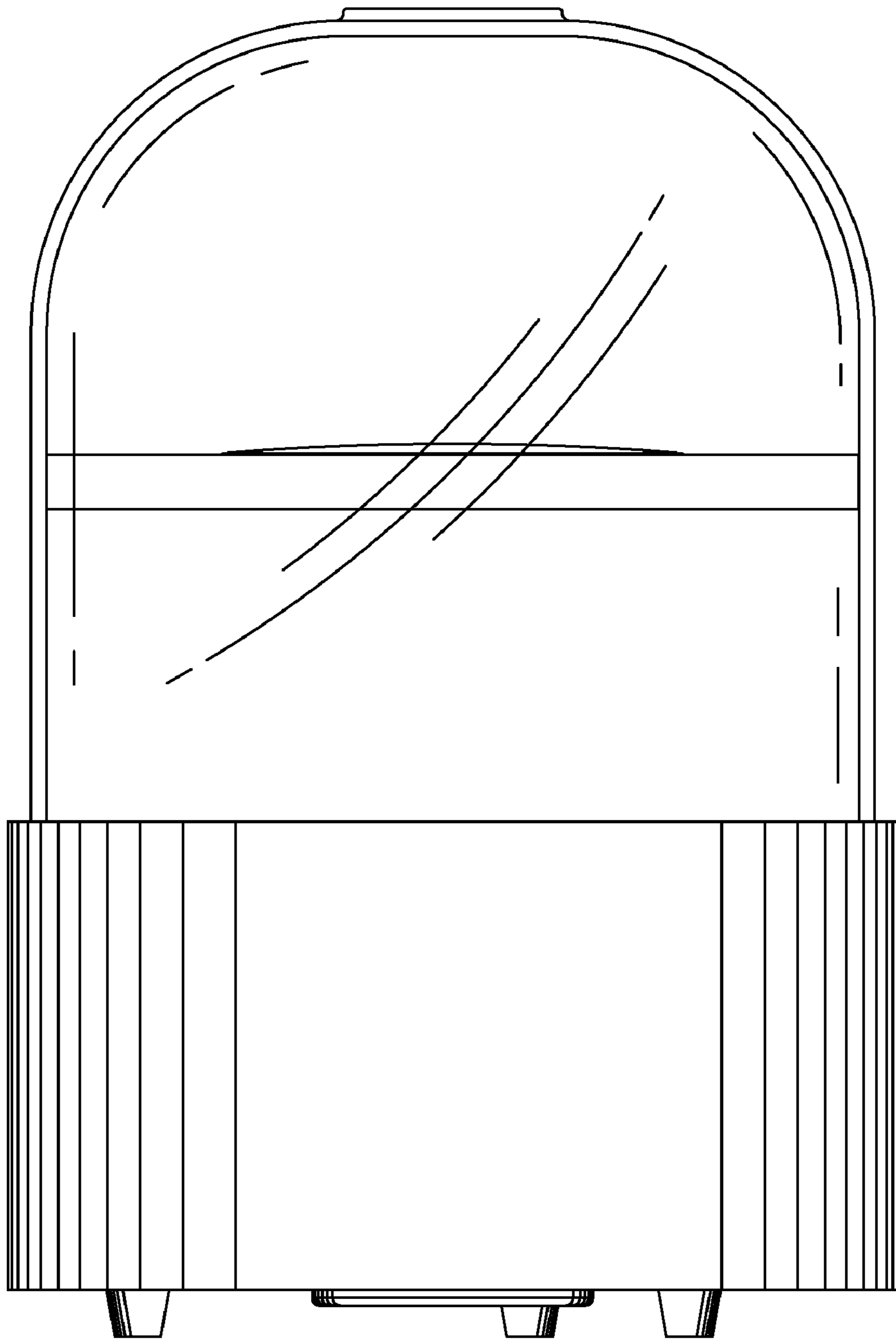


Fig. 5

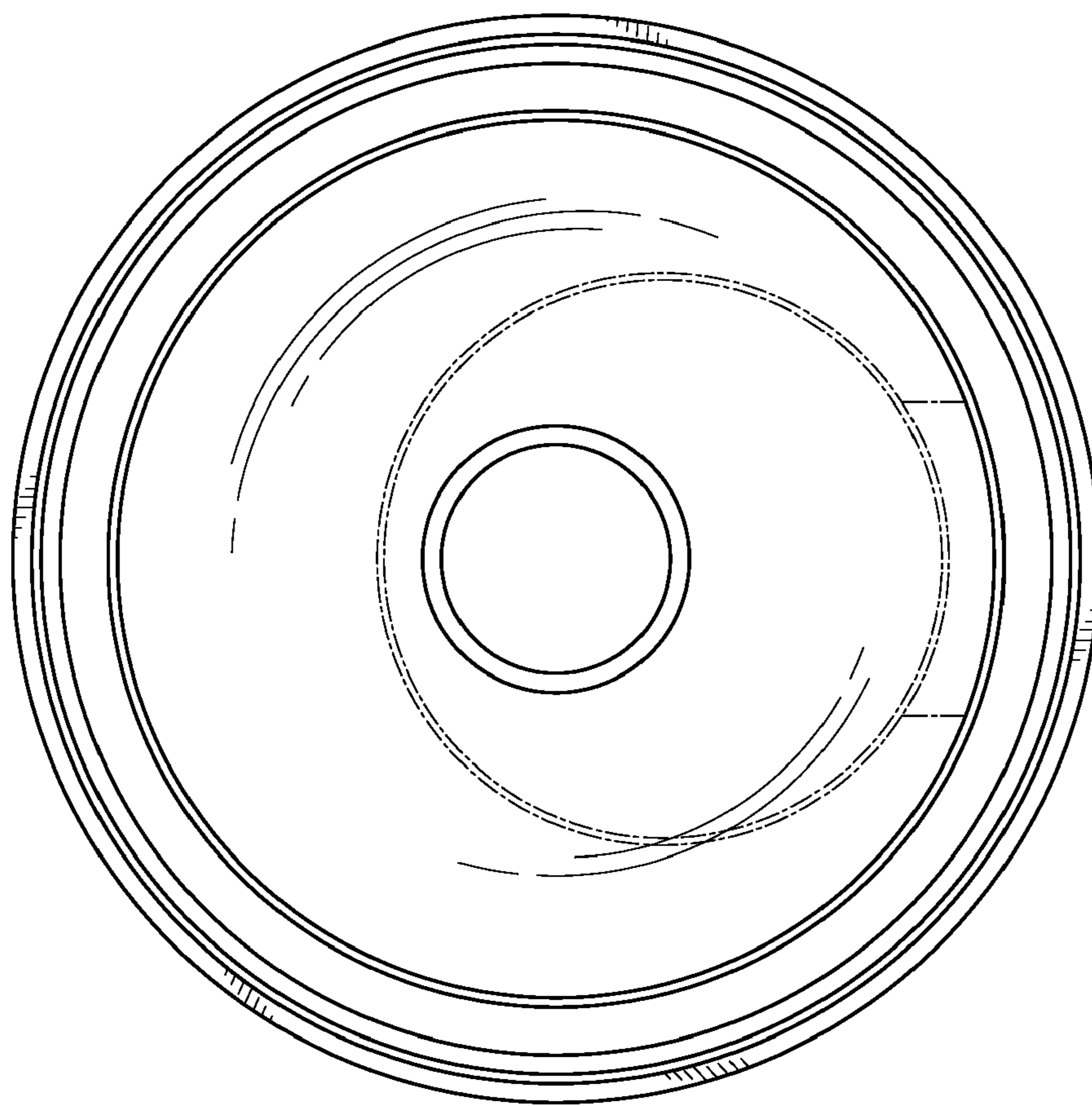


Fig. 6

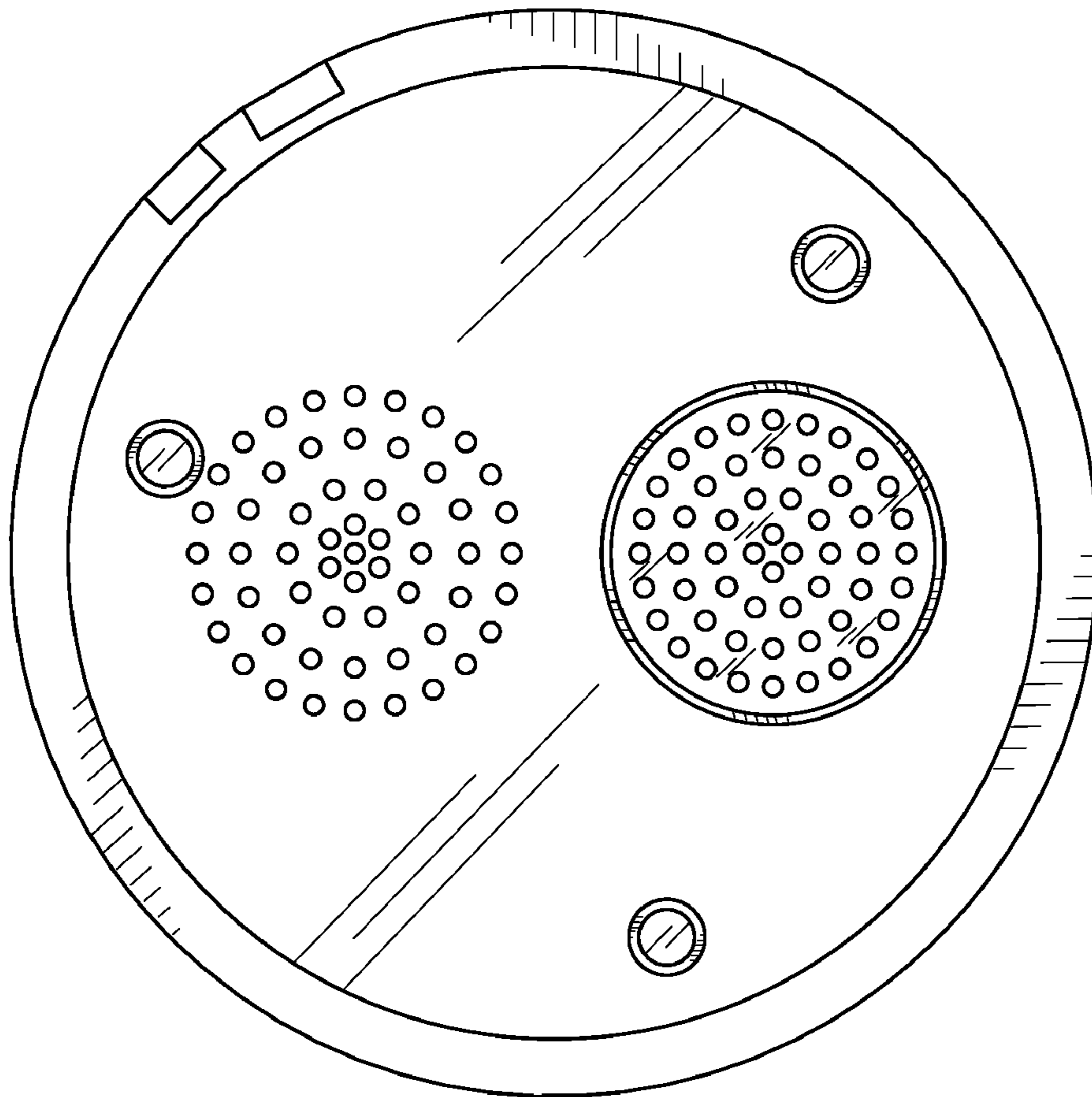


Fig. 7