



US00D612923S

(12) **United States Design Patent**  
**Wu**

(10) **Patent No.:** **US D612,923 S**  
(45) **Date of Patent:** **\*\* Mar. 30, 2010**

(54) **COMBINATION ROOM FRESHENER AND NIGHT LIGHT ASSEMBLY**

(75) Inventor: **Henry Wu, Shing-Tien (TW)**

(73) Assignee: **Aromate Industries Co., Ltd. (TW)**

(\*\*) Term: **14 Years**

(21) Appl. No.: **29/315,679**

(22) Filed: **Jul. 15, 2009**

(51) **LOC (9) Cl.** ..... **28-99**

(52) **U.S. Cl.** ..... **D23/366**

(58) **Field of Classification Search** ..... D23/355-369;  
D28/5, 6; 261/DIG. 17, DIG. 42, DIG. 65,  
261/DIG. 88, DIG. 89; 392/386, 390, 391,  
392/392, 394, 395; 239/34, 35, 43-45, 53,  
239/56, 57, 60, 326

See application file for complete search history.

(56) **References Cited**

**U.S. PATENT DOCUMENTS**

D438,607	S	*	3/2001	Edwards et al.	.....	D23/366
D447,551	S	*	9/2001	A'Court	.....	D23/366
D459,459	S	*	6/2002	Yamada et al.	.....	D23/366
D468,033	S	*	12/2002	Warren et al.	.....	D26/26
D509,890	S	*	9/2005	Stavale et al.	.....	D23/366
D518,159	S	*	3/2006	Chen	.....	D23/366
D541,922	S	*	5/2007	Wefler et al.	.....	D23/366
D542,400	S	*	5/2007	Wefler	.....	D23/366
D546,931	S	*	7/2007	Wefler	.....	D23/366
D551,750	S	*	9/2007	Wefler	.....	D23/366

7,318,659	B2	*	1/2008	Demarest et al.	.....	362/253
D585,129	S	*	1/2009	Huang	.....	D23/366
7,476,002	B2	*	1/2009	Wofl et al.	.....	362/231
7,484,860	B2	*	2/2009	Demarest et al.	.....	362/253
7,503,675	B2	*	3/2009	Demarest et al.	.....	362/253

\* cited by examiner

*Primary Examiner*—Sandra Snapp

(74) *Attorney, Agent, or Firm*—Ira S. Dorman

(57) **CLAIM**

The ornamental design for a combination room freshener and night light assembly, as shown and described.

**DESCRIPTION**

FIG. 1 is a front perspective view of a combination room freshener and night light assembly embodying the present invention;

FIG. 2 is a front view of the assembly of FIG. 1;

FIG. 3 is a side view of the assembly;

FIG. 4 is an opposite side view of the assembly;

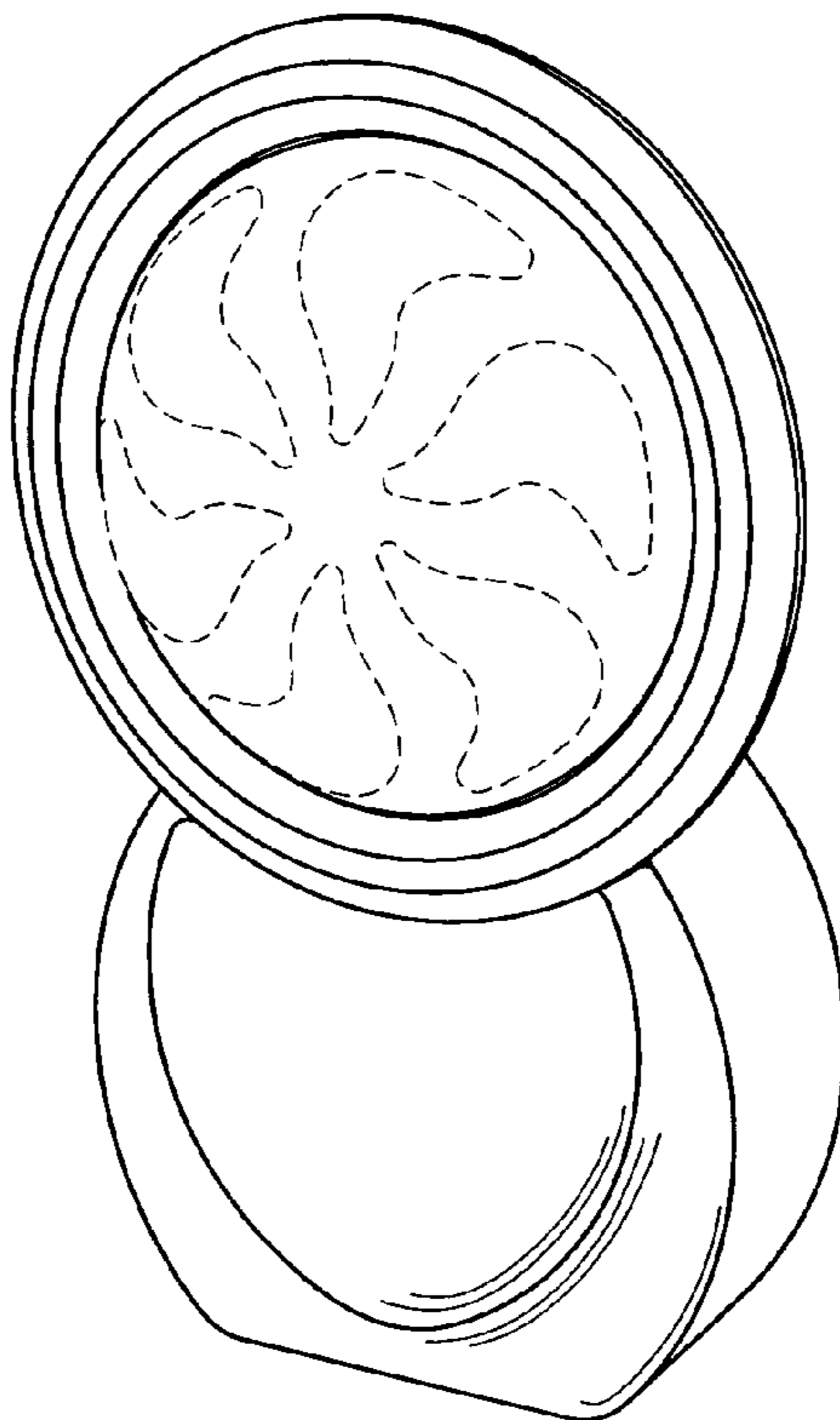
FIG. 5 is a rear view of the assembly;

FIG. 6 is a top plan view of the assembly; and,

FIG. 7 is a bottom view of the assembly, rotated 180° about a vertical axis from the orientation shown in FIG. 6.

The broken line showing of the dome of a fragrance capsule and an electric plug are for illustrative purposes only and form no part of the claimed design.

**1 Claim, 7 Drawing Sheets**



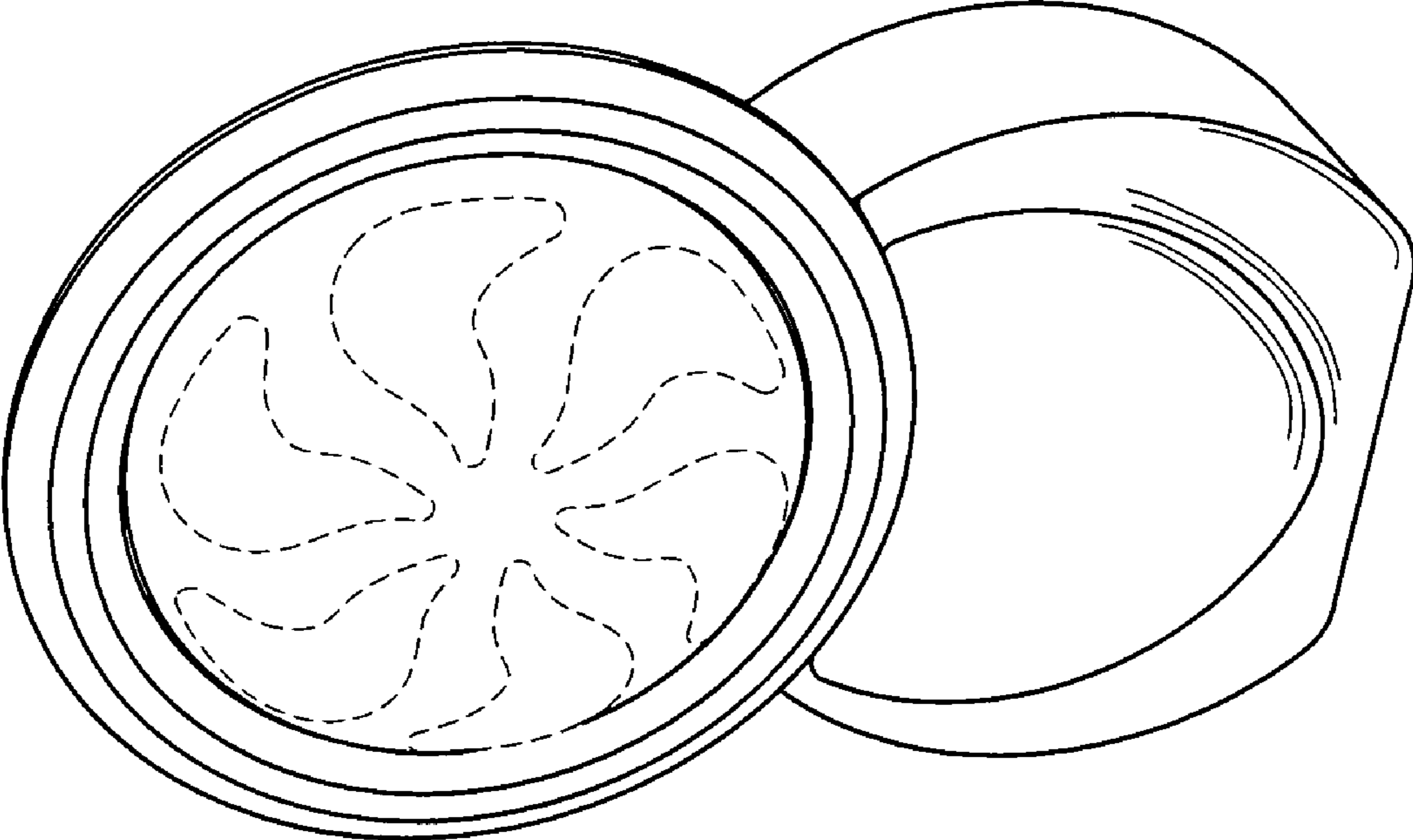


FIG.1

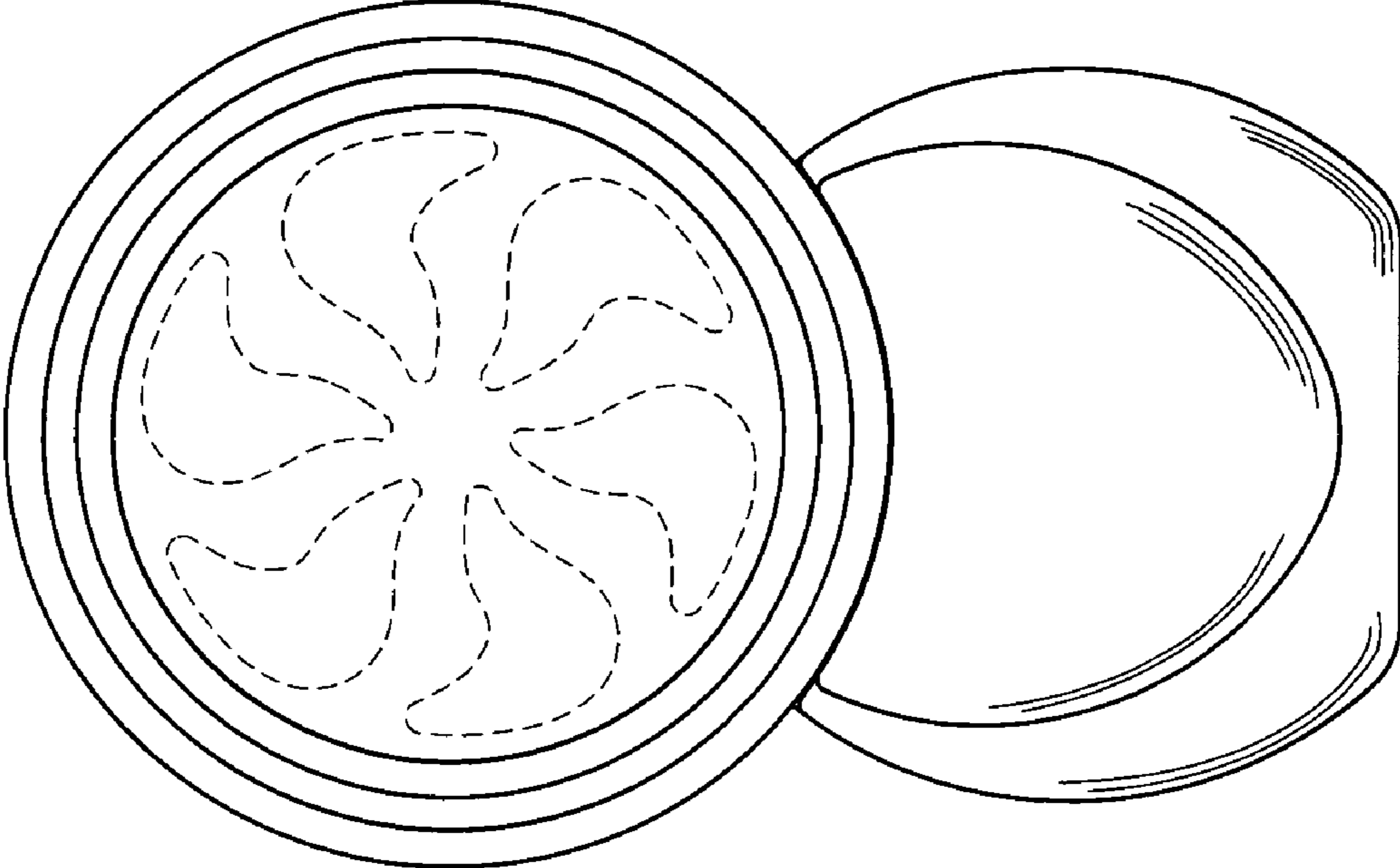


FIG. 2

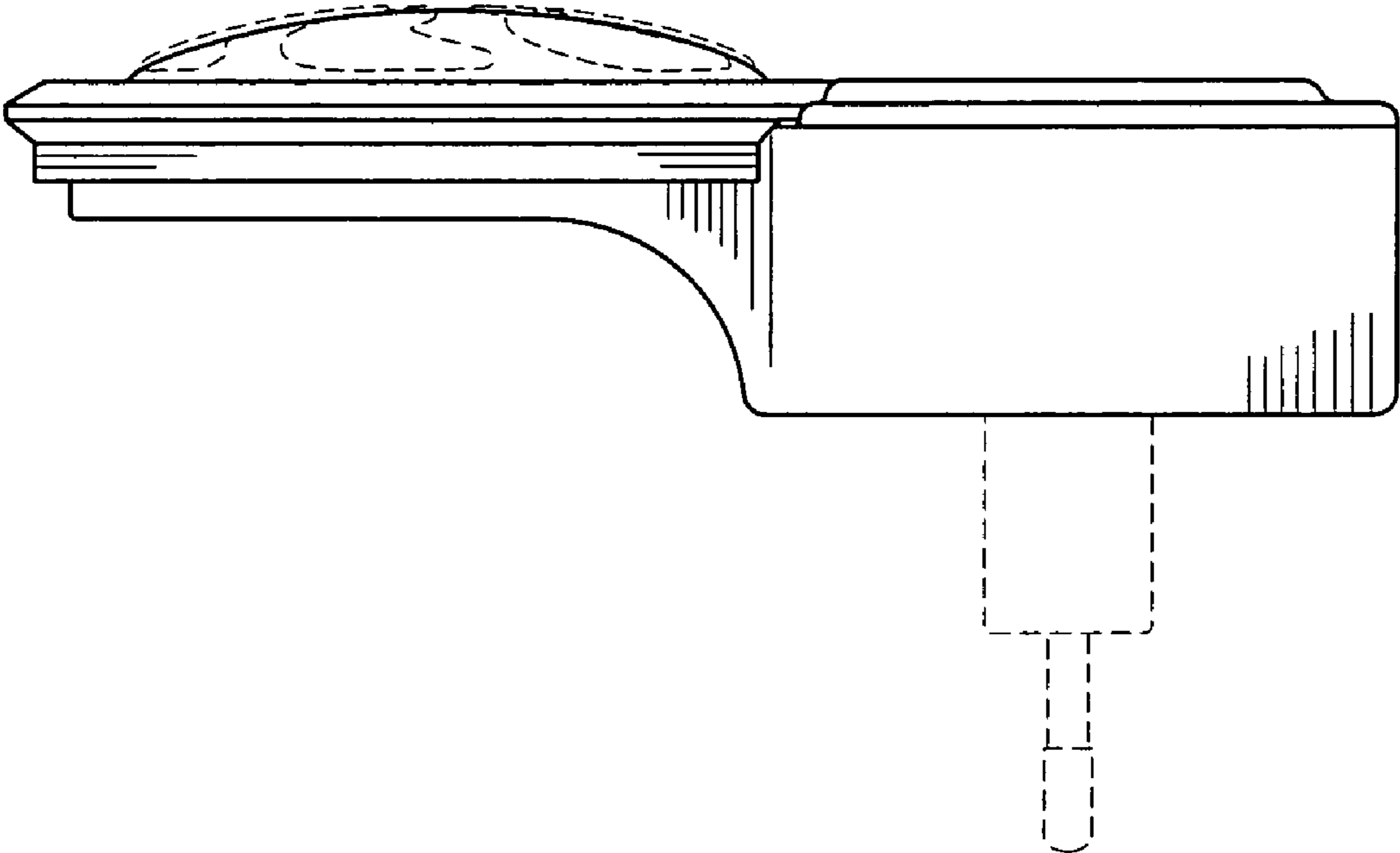


FIG. 3

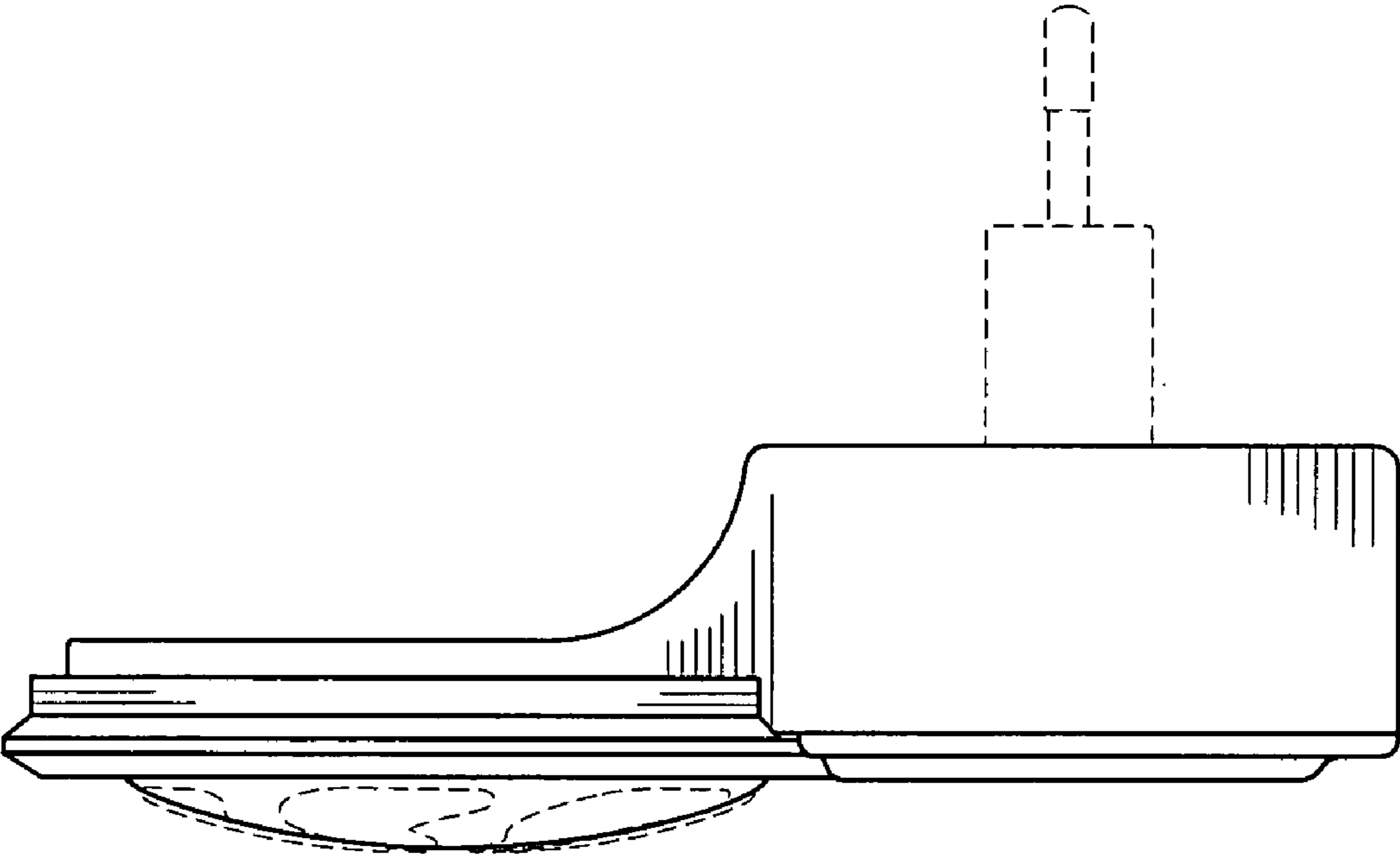


FIG.4

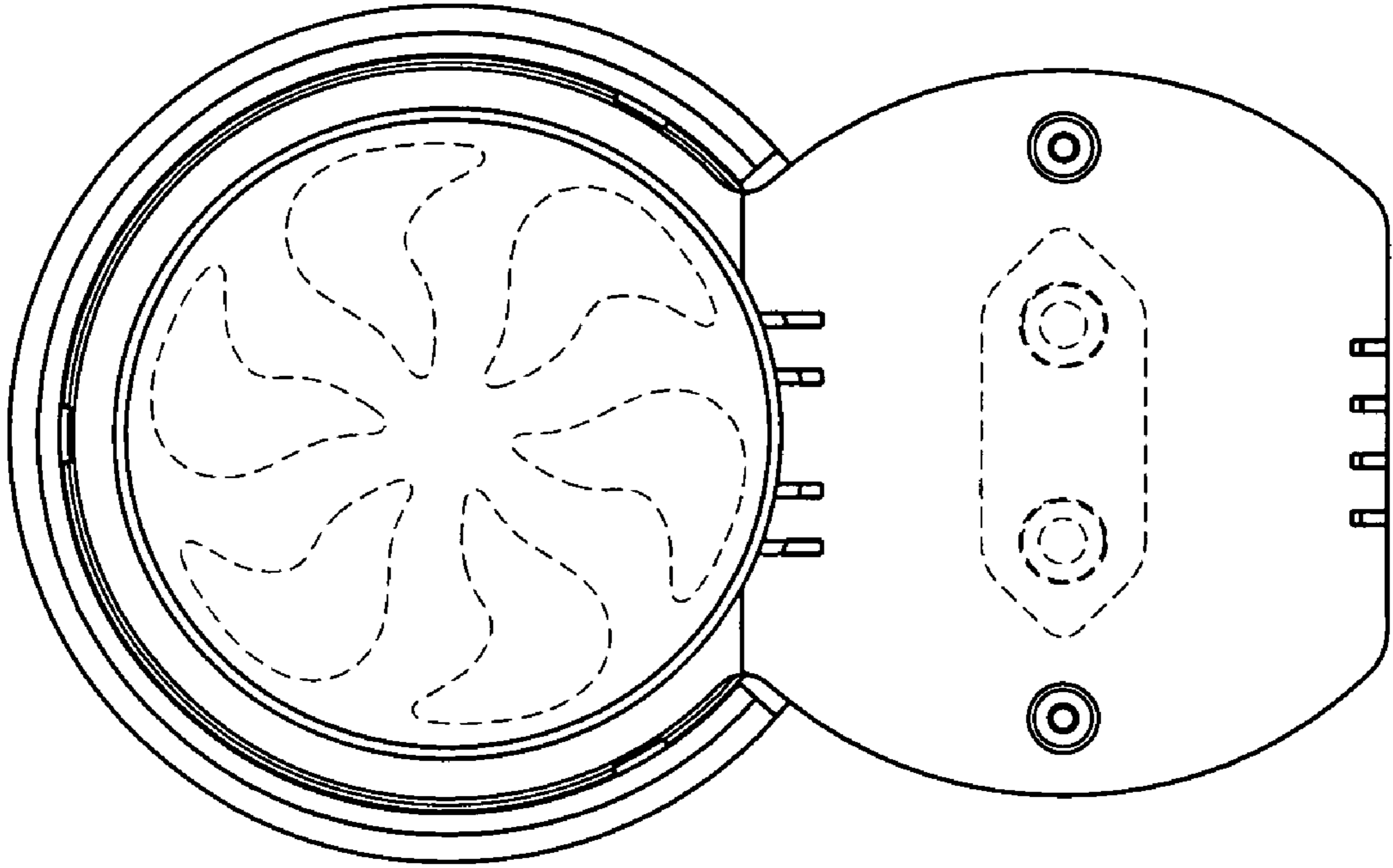


FIG. 5

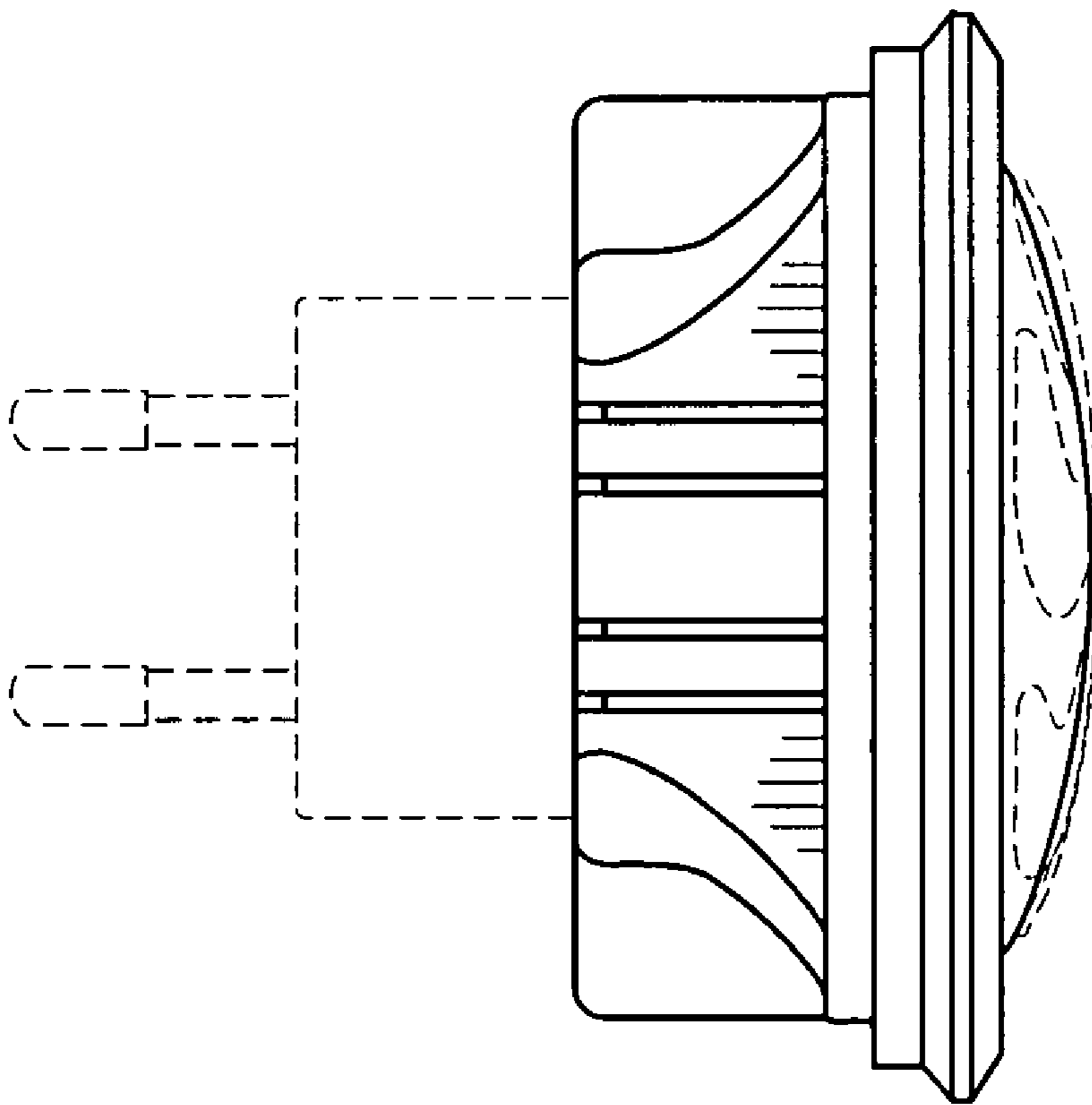


FIG.6

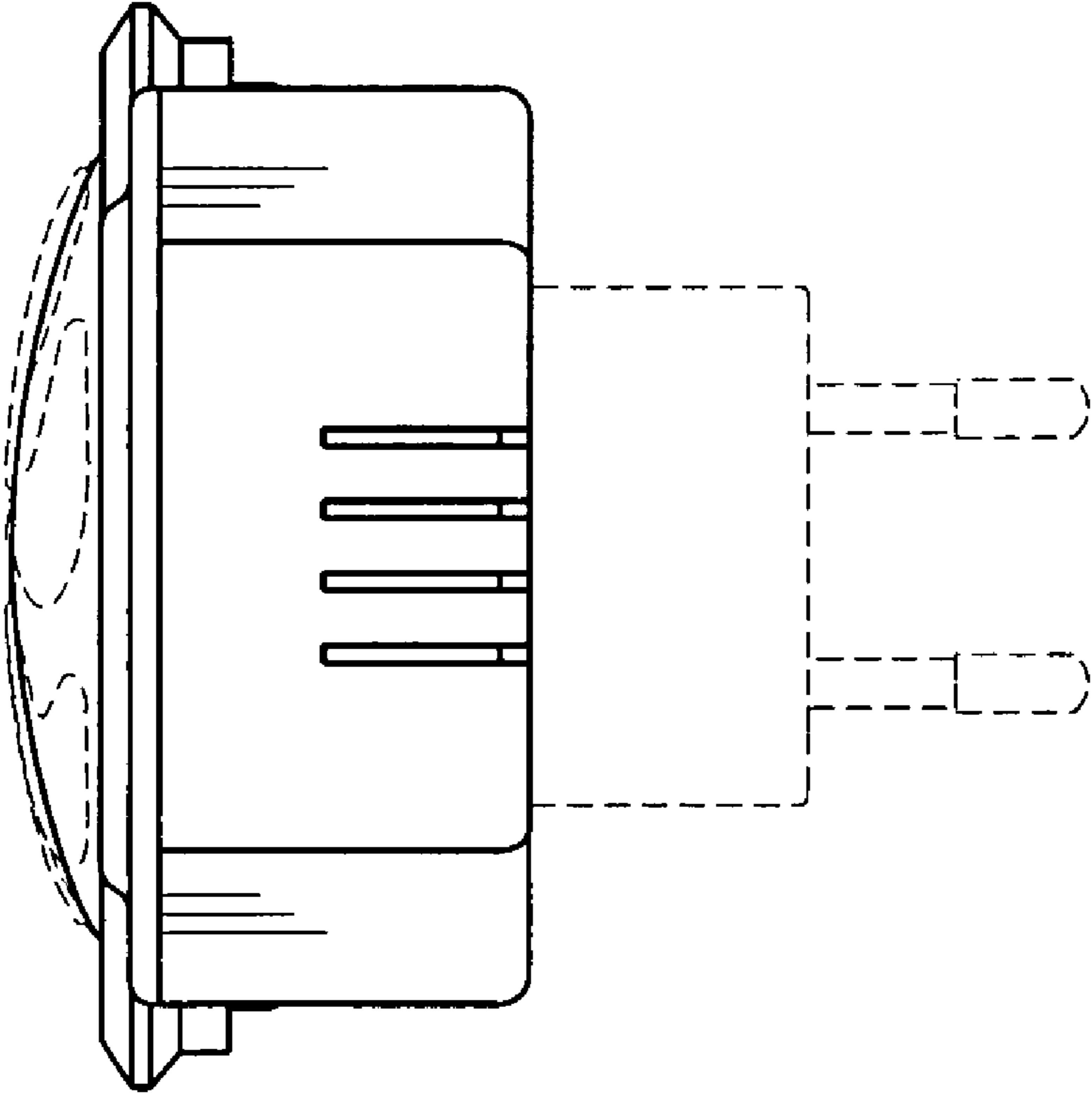


FIG.7