



US00D612922S

(12) **United States Design Patent**
Foerster

(10) **Patent No.:** **US D612,922 S**
(45) **Date of Patent:** **** Mar. 30, 2010**

(54) **FRONT FACE OF FILTER CARTRIDGE HOUSING**

(75) Inventor: **Lee Foerster**, Medford, OR (US)

(73) Assignee: **TF Industries, LLC**, Medford, OR (US)

(**) Term: **14 Years**

(21) Appl. No.: **29/340,135**

(22) Filed: **Jul. 14, 2009**

Related U.S. Application Data

(63) Continuation of application No. 29/330,301, filed on Jan. 5, 2009, now Pat. No. Des. 598,088.

(51) **LOC (9) Cl.** **23-05**

(52) **U.S. Cl.** **D23/365**

(58) **Field of Classification Search** D23/363-366, D23/388-393, 342, 354, 356, 385, 370, 371, D23/351, 386, 335; 454/309, 275-277, 284, 454/287-289; 55/385.3, 502, 497, 506, 505, 55/521, 495, 422, 493, DIG. 30; D11/143
See application file for complete search history.

(56) **References Cited**

U.S. PATENT DOCUMENTS

4,693,337 A	9/1987	Timmermeister	
D349,338 S	8/1994	Crinion	
D377,390 S	1/1997	Ketcham	
D382,549 S	8/1997	Yoshimoto	
D384,140 S *	9/1997	Jane' et al.	D23/356
D401,318 S *	11/1998	Rakocy	D23/364
5,997,674 A	12/1999	Rakocy et al.	
D428,645 S *	7/2000	Rossman et al.	D23/341
D444,218 S	6/2001	Mittelstadt et al.	
D452,302 S	12/2001	Hagen	
6,344,065 B1	2/2002	Boulva	
D455,826 S	4/2002	Gillingham et al.	
D456,499 S *	4/2002	Ching	D23/335
D459,454 S *	6/2002	Shapiro	D23/335
D467,325 S *	12/2002	Ching	D23/335
D480,127 S	9/2003	Cox et al.	

D487,927 S *	3/2004	Toro	D23/335
D505,487 S *	5/2005	Blateri	D23/335
D506,248 S *	6/2005	Blateri	D23/335
D507,824 S *	7/2005	Blateri	D23/335
D509,292 S *	9/2005	Gatchell et al.	D23/364
D511,377 S	11/2005	Erwan et al.	
D522,116 S *	5/2006	Zhixiang	D23/364

(Continued)

Primary Examiner—T. Chase Nelson

Assistant Examiner—David G Muller

(74) *Attorney, Agent, or Firm*—Berenato & White, LLC

(57) **CLAIM**

The ornamental design for a front face of a filter cartridge housing, as shown and described.

DESCRIPTION

FIG. 1 is an upper front perspective view of a front face of a filter cartridge housing according to an embodiment of the invention.

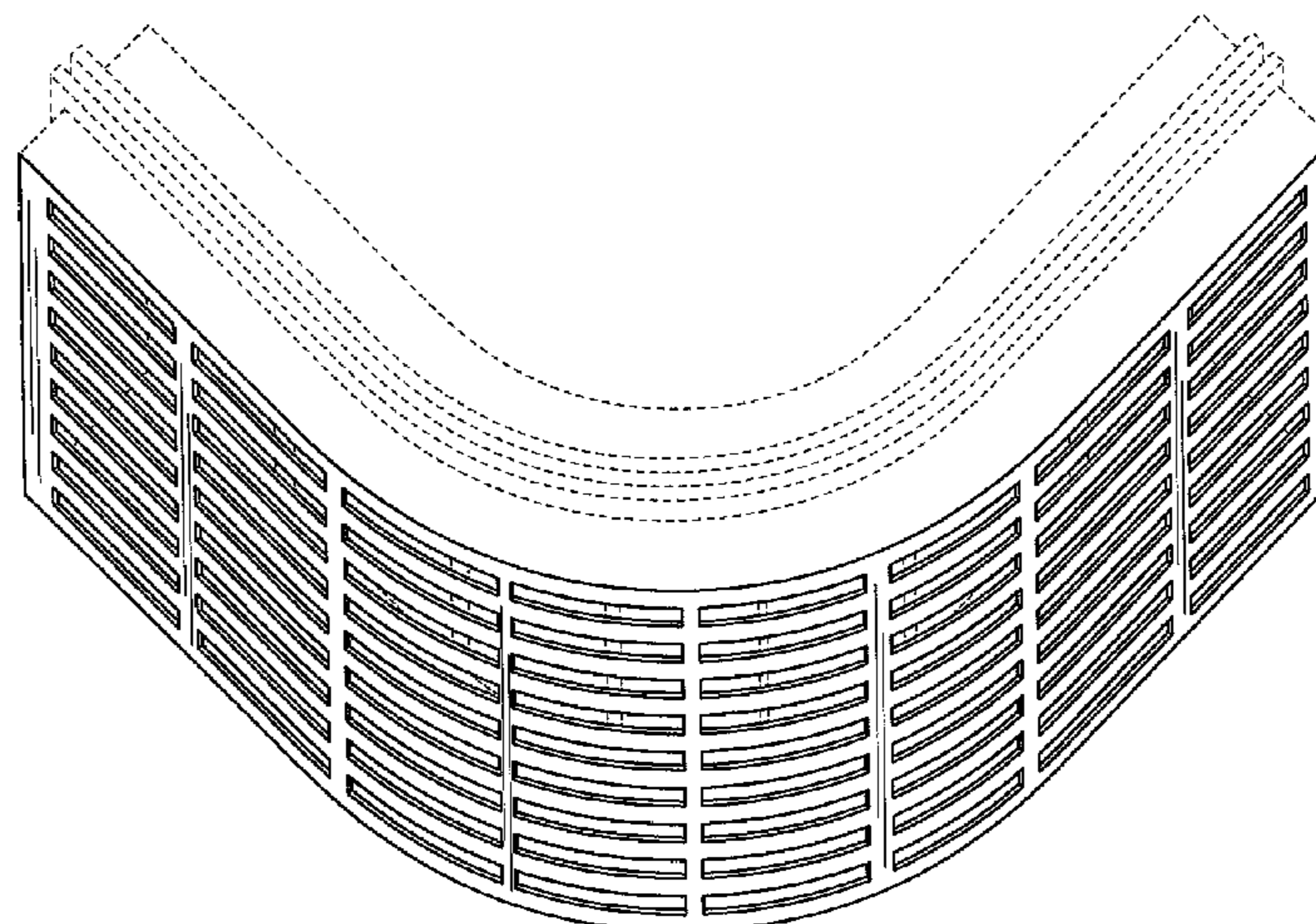
FIG. 2 is a front view of the front face of the filter cartridge housing of FIG. 1.

FIG. 3 is a right side view of the front face of the filter cartridge housing of FIG. 1; the left side view of the front face of the filter cartridge housing is the mirror image of FIG. 3; and,

FIG. 4 is a top view of the front face of the filter cartridge housing of FIG. 1; the bottom view of the front face of the filter cartridge housing is identical to FIG. 4.

The structural elements shown in broken lines form no part of the claimed design.

1 Claim, 3 Drawing Sheets



US D612,922 S

Page 2

U.S. PATENT DOCUMENTS

D588,257 S 3/2009 Reedy et al.

D558,870 S 1/2008 Triplett et al.

D583,279 S * 12/2008 Lee et al. D11/143 * cited by examiner

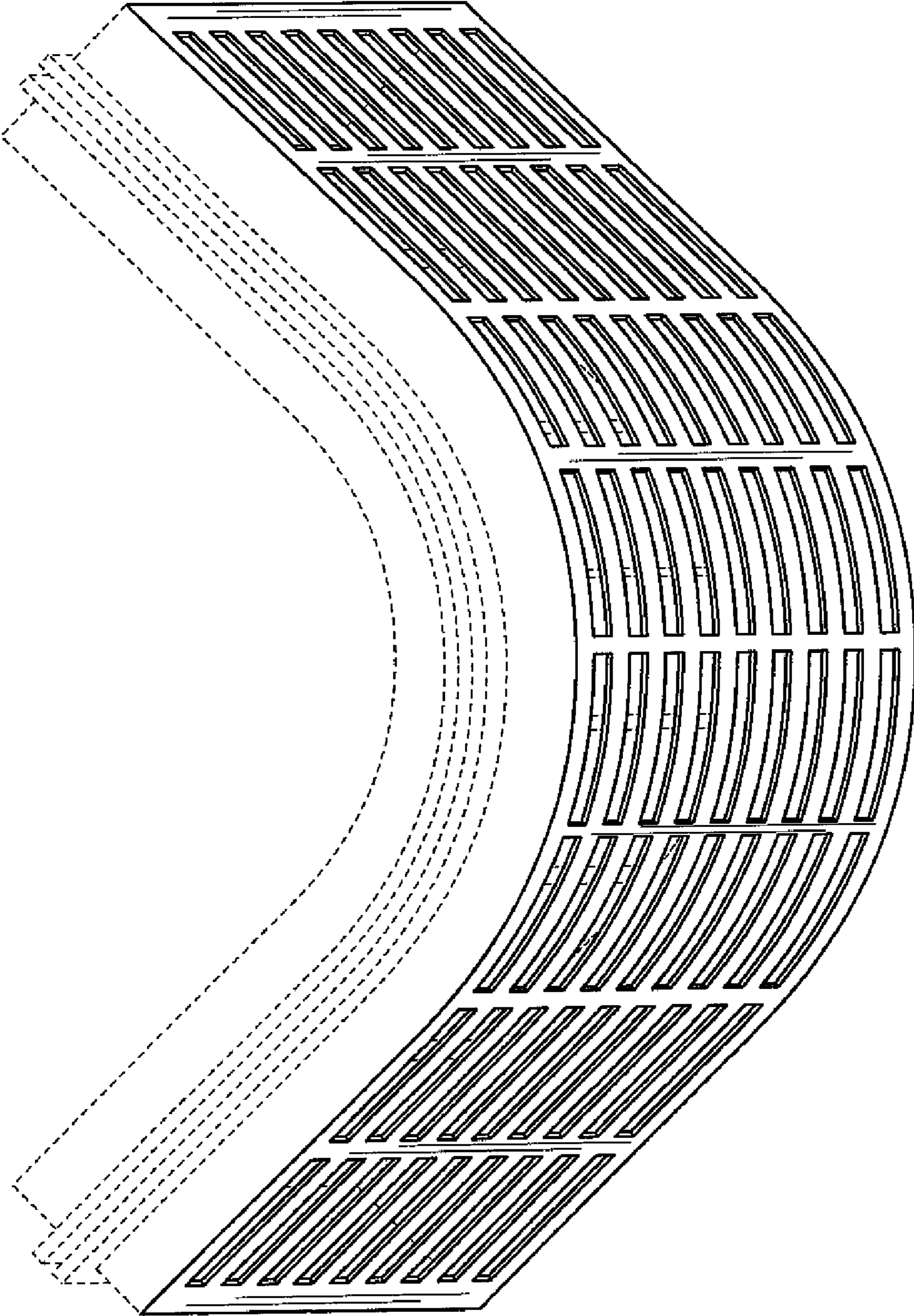


FIG. 1

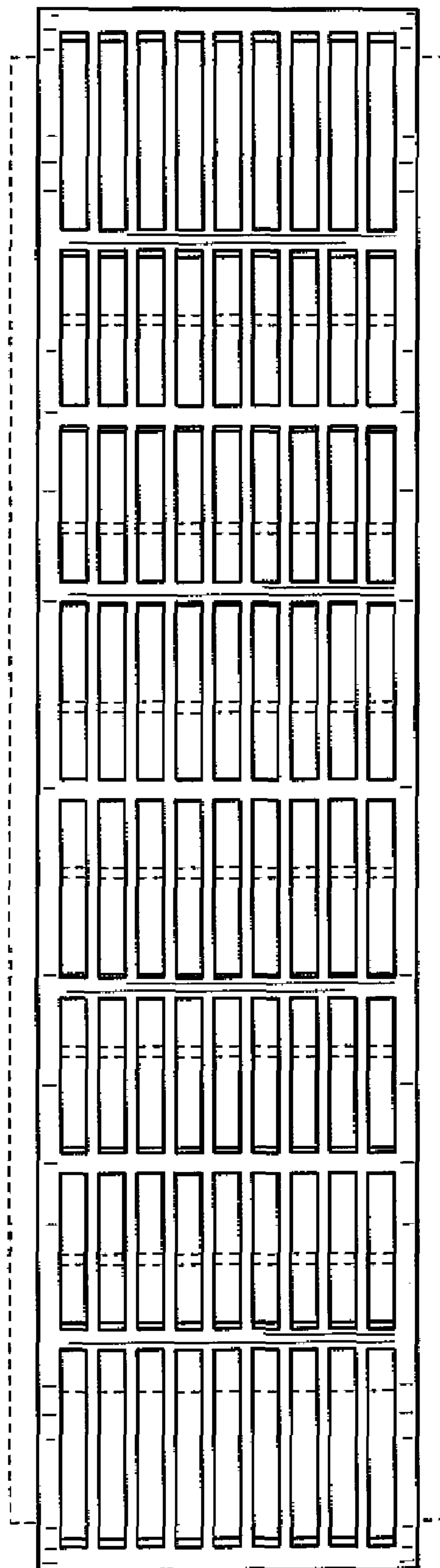


FIG. 2

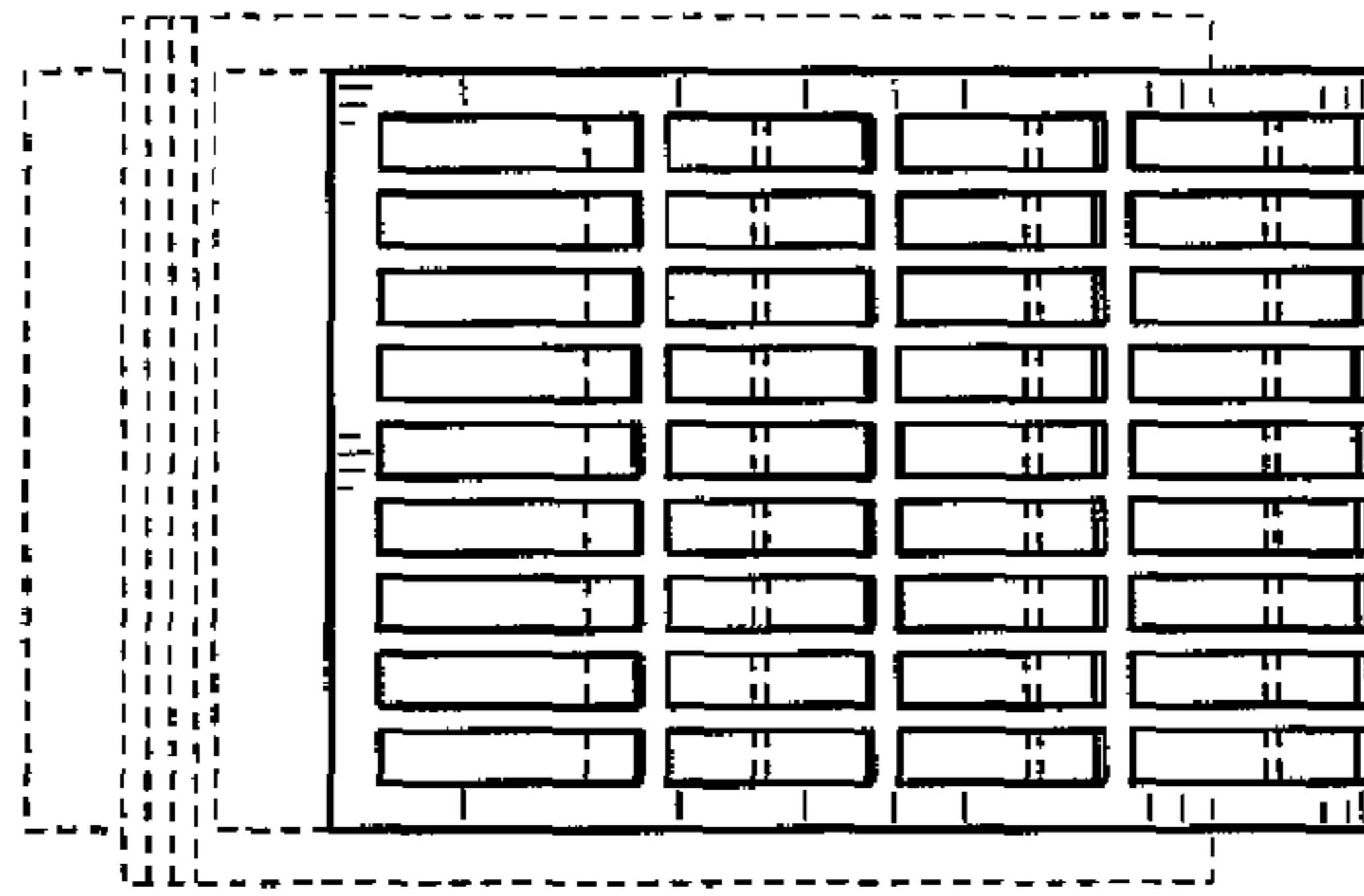


FIG. 3

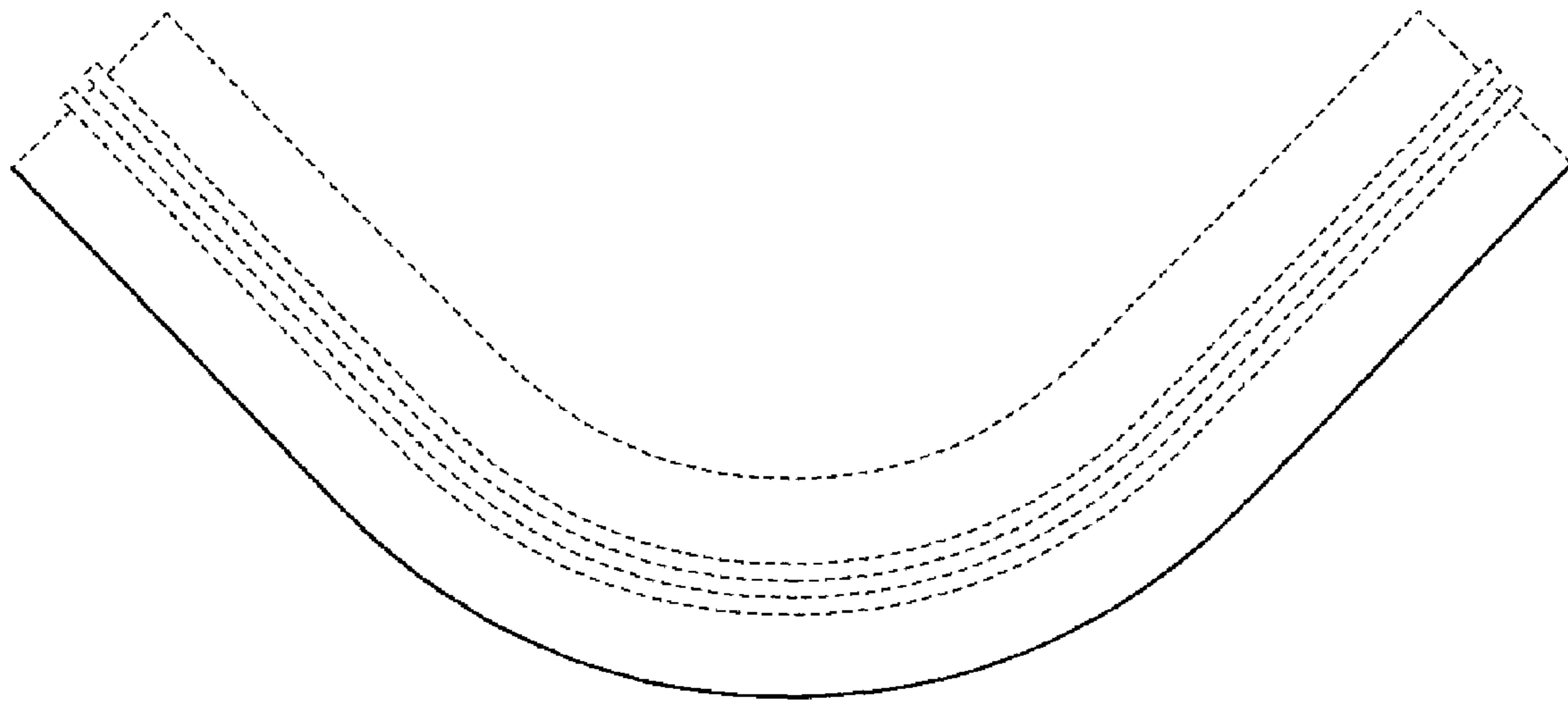


FIG. 4