



US00D612921S

(12) **United States Design Patent**
Rosenbohm

(10) **Patent No.:** **US D612,921 S**

(45) **Date of Patent:** **** Mar. 30, 2010**

(54) **AIR VENT FOR AN AUTOMOBILE**

D504,372 S * 4/2005 Juraschek D12/192
D512,670 S * 12/2005 Pfeiffer et al. D12/192

(75) Inventor: **Oliver Rosenbohm**, Stuttgart (DE)

* cited by examiner

(73) Assignee: **Dr. Ing. h.c. F. Porsche**
Aktiengesellschaft, Stuttgart (DE)

Primary Examiner—T. Chase Nelson
Assistant Examiner—Ania K Dworzecka

(**) Term: **14 Years**

(57) **CLAIM**

(21) Appl. No.: **29/281,411**

The ornamental design for the air vent assembly for an automobile, as shown and described.

(22) Filed: **Jun. 22, 2007**

(30) **Foreign Application Priority Data**

DESCRIPTION

Dec. 27, 2006 (DE) 4 06 06 486

(51) **LOC (9) Cl.** **12-16**

(52) **U.S. Cl.** **D23/327**

(58) **Field of Classification Search** D12/192,
D12/196, 415, 400; D23/327, 390, 411,
D23/412, 393; 16/110.1; 454/155

See application file for complete search history.

FIG. 1 is a front left-side perspective view of the air vent assembly showing my new design, a vent connection piece is illustrated to the left of the air vent to illustrate the fact that the vent assembly of the figure is a right-side vent structure;

FIG. 2 is a front elevation view thereof;

FIG. 3 is right-side perspective view thereof, illustrating the vent assembly of FIGS. 1–2 with additional vents and connectors in a vent array;

FIG. 4 is a bottom plan view thereof, and indicating a connection piece; and,

FIG. 5 is a left-side elevation view thereof, also indicating a connection piece.

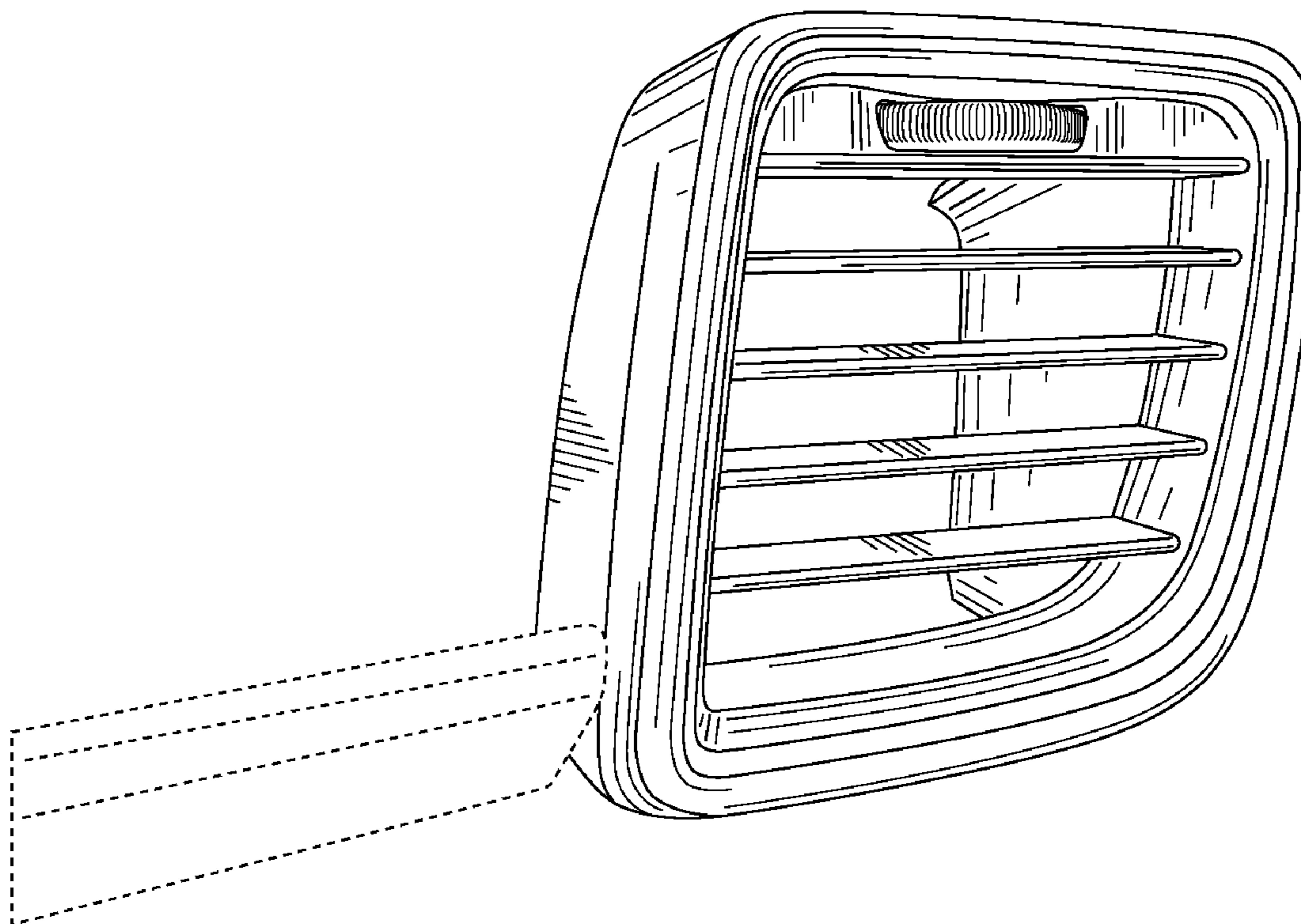
In the drawings, the broken lines shown in the Figures depict environmental subject matter only and form no part of the claimed design.

(56) **References Cited**

U.S. PATENT DOCUMENTS

D214,791 S * 7/1969 Dixon D23/325
D215,095 S * 9/1969 Dixon D23/325
D216,023 S * 11/1969 Dixon D23/325
D221,550 S * 8/1971 Dixon D23/325
D221,551 S * 8/1971 Dixon D23/325
D417,267 S * 11/1999 Sacco et al. D23/327
D493,396 S * 7/2004 Pfeiffer et al. D12/192

1 Claim, 3 Drawing Sheets



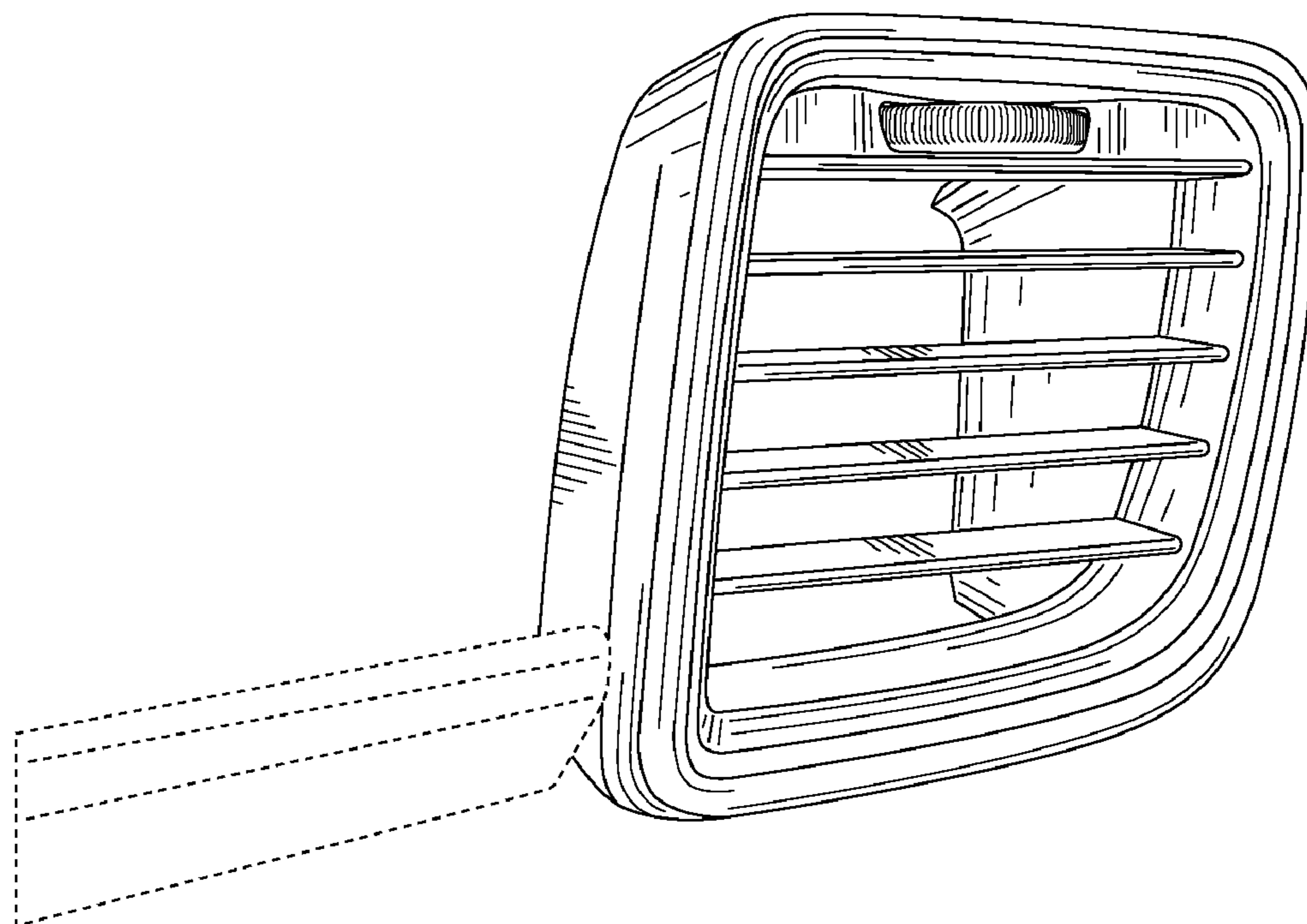


FIG. 1

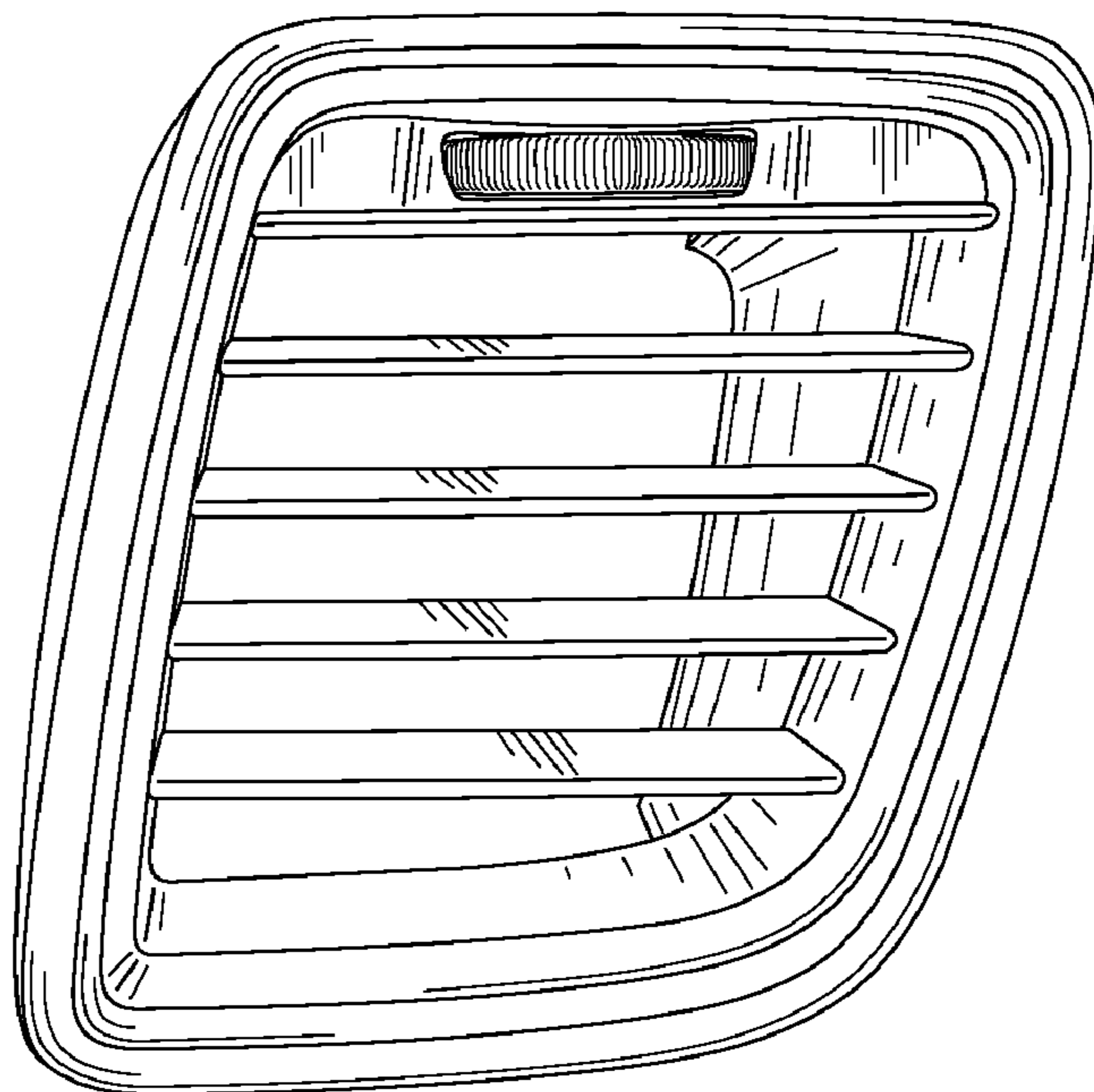


FIG. 2

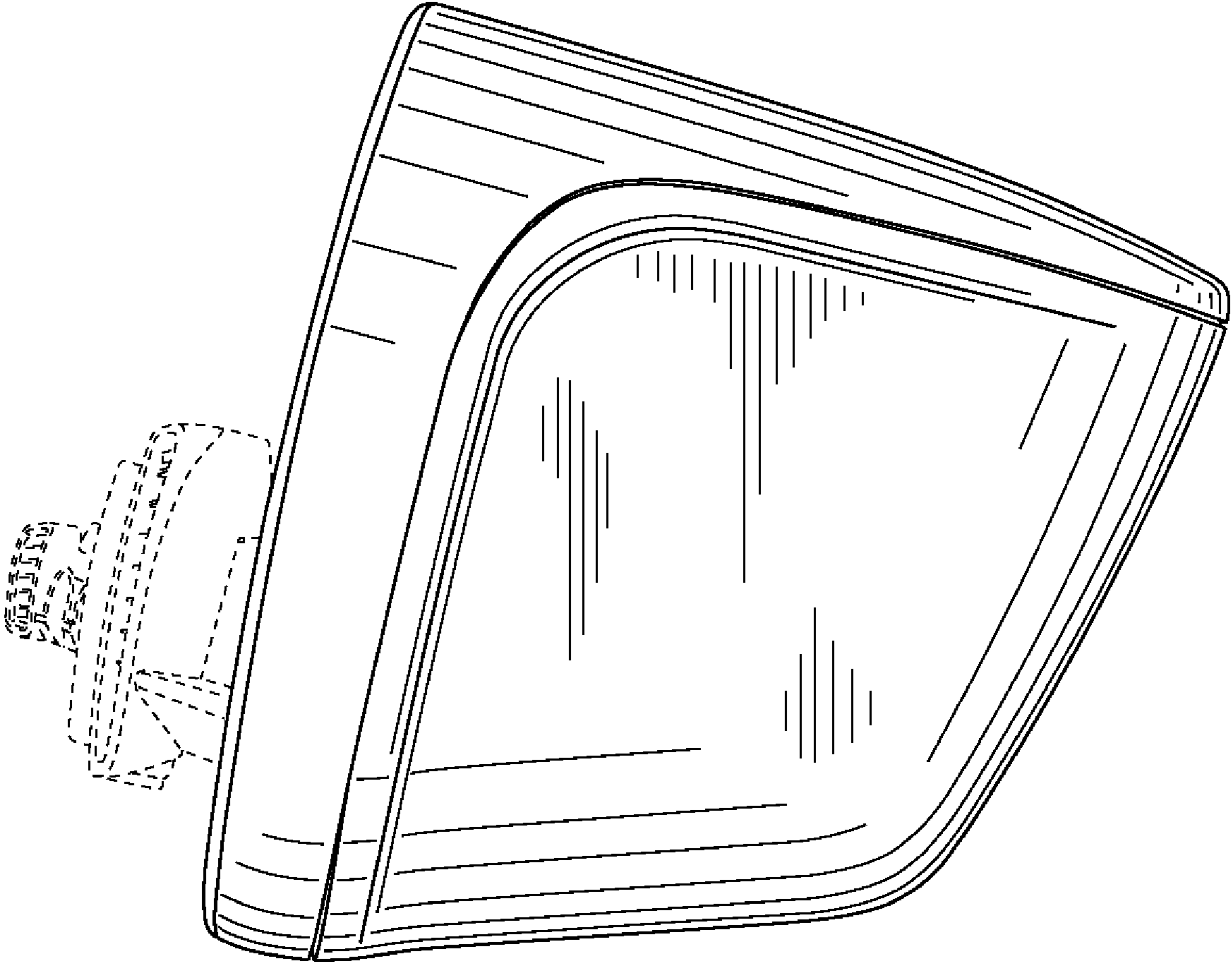


FIG. 3

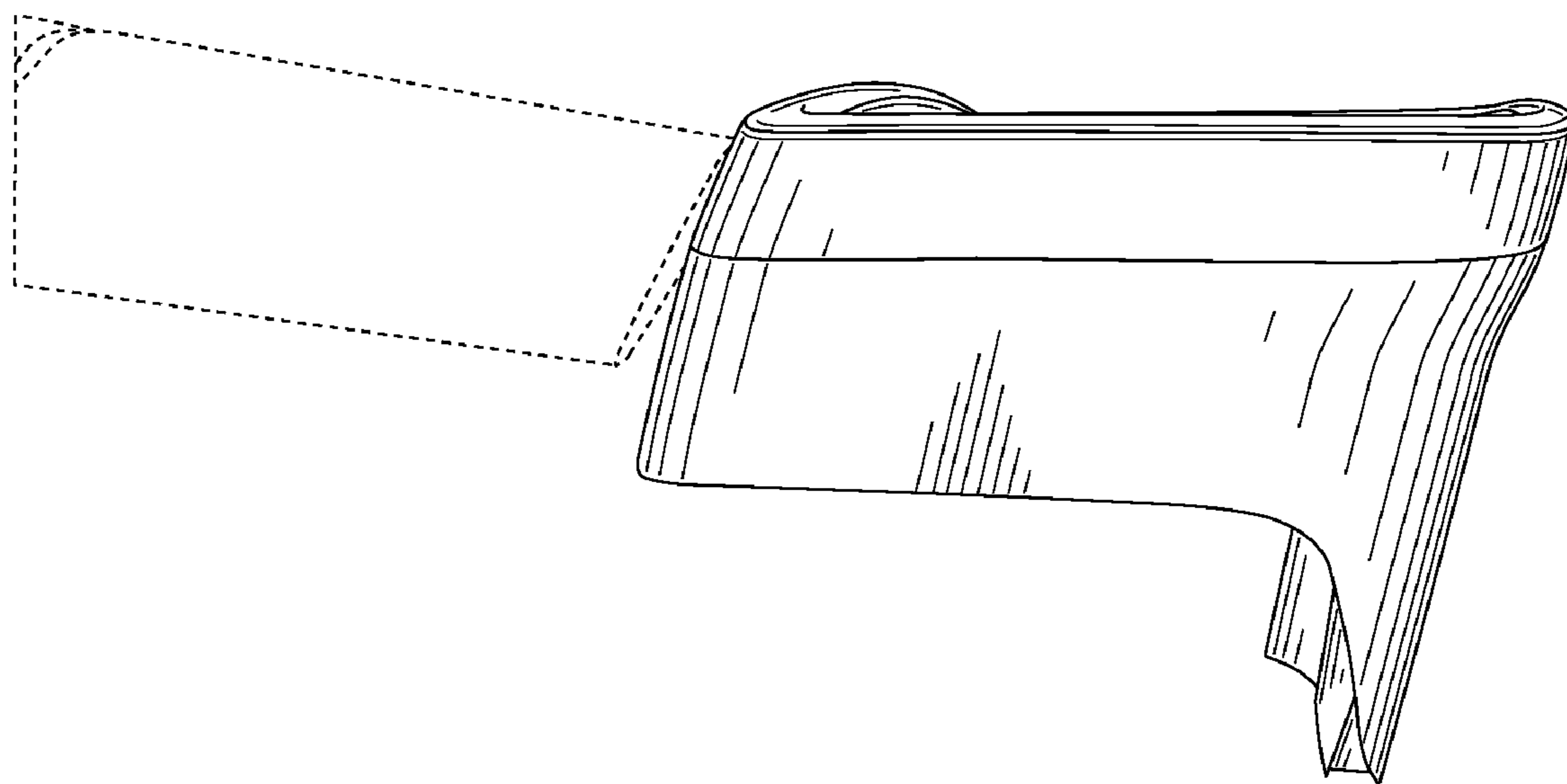


FIG. 4

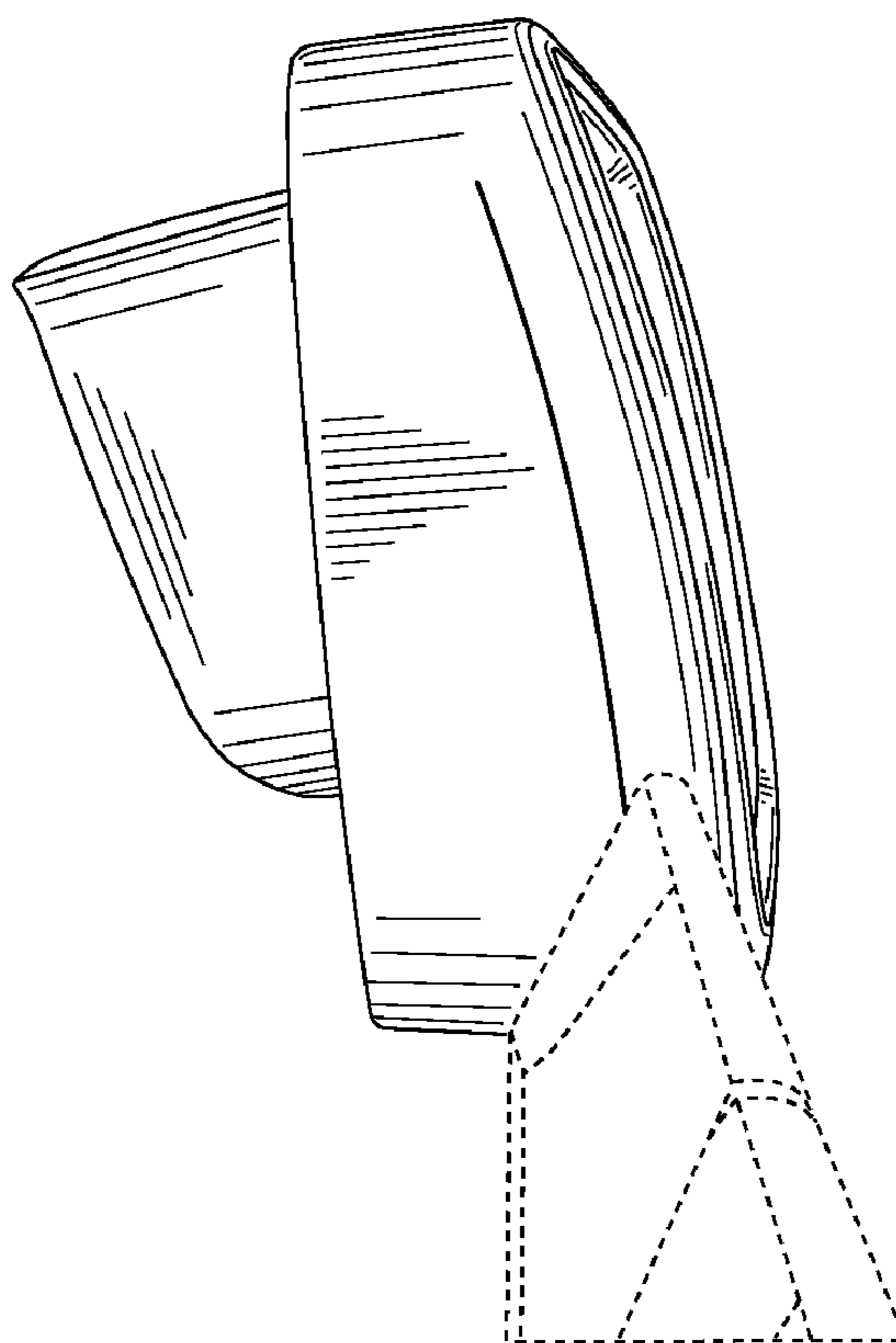


FIG. 5