



US00D612920S

(12) **United States Design Patent**  
**Cunningham et al.**

(10) **Patent No.:** **US D612,920 S**  
(45) **Date of Patent:** **\*\* Mar. 30, 2010**

(54) **BATHTUB**

D460,538 S 7/2002 Jacuzzi  
D528,662 S 9/2006 Jacuzzi et al.

(75) Inventors: **Jeffrey L. Cunningham**, Cabot, AR (US); **Remo C. Jacuzzi**, Little Rock, AR (US)

\* cited by examiner

*Primary Examiner*—Robert A Delehanty  
(74) *Attorney, Agent, or Firm*—Banner & Witcoff, Ltd.

(73) Assignee: **Jason International, Inc.**, North Little Rock, AR (US)

(57) **CLAIM**

(\*\*) Term: **14 Years**

The ornamental design for a bathtub, as shown and described.

(21) Appl. No.: **29/341,005**

**DESCRIPTION**

(22) Filed: **Jul. 29, 2009**

FIG. 1 is a perspective view of a bathtub showing our new design;

(51) **LOC (9) Cl.** ..... **23-02**

FIG. 2 is a right side view thereof;

(52) **U.S. Cl.** ..... **D23/277**

FIG. 3 is a left side view thereof;

(58) **Field of Classification Search** ..... D23/277,  
D23/280.1–280.3, 304; 4/538; D24/204–205  
See application file for complete search history.

FIG. 4 is a front view thereof;

FIG. 5 is a rear view thereof;

FIG. 6 is a top view thereof; and,

FIG. 7 is a bottom view thereof.

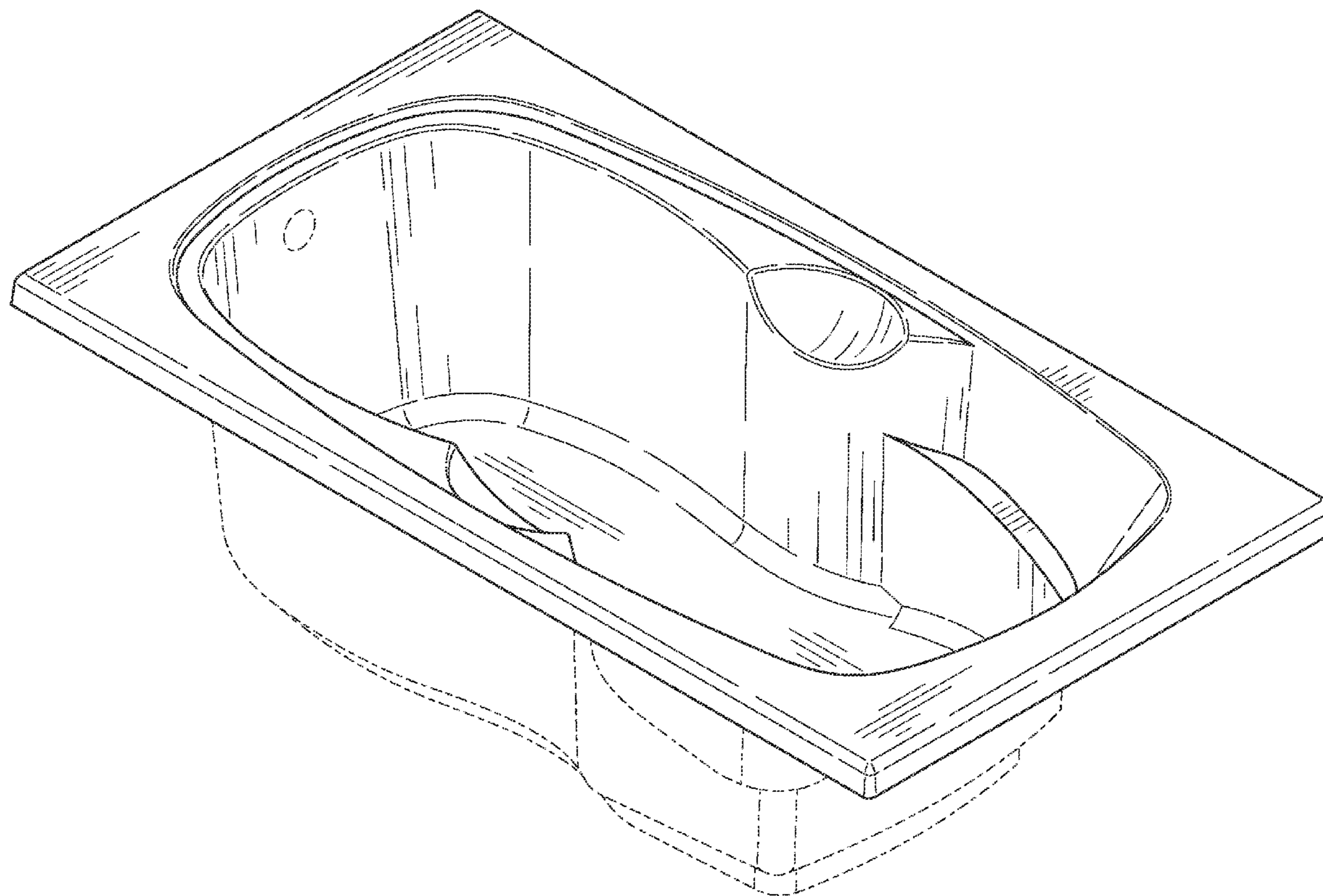
(56) **References Cited**

The broken line showing of the remainder of the bathtub is for illustrative purposes and forms no part of the claimed design.

**U.S. PATENT DOCUMENTS**

D235,446 S \* 6/1975 Korol ..... D23/277  
D244,292 S \* 5/1977 Ridgeway ..... D23/280.1  
D253,008 S \* 9/1979 Guigues ..... D23/280.2

**1 Claim, 5 Drawing Sheets**



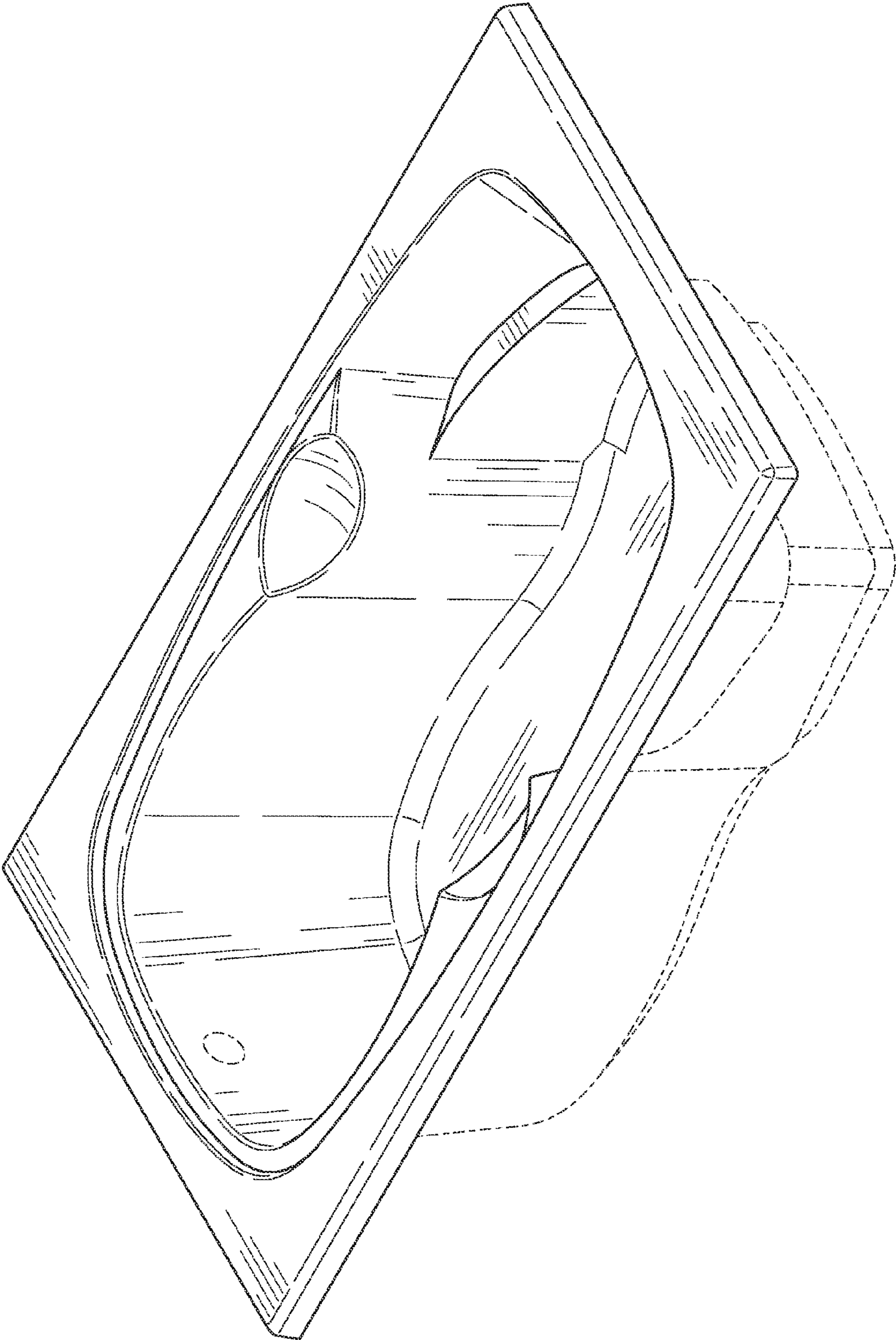


FIG. 1

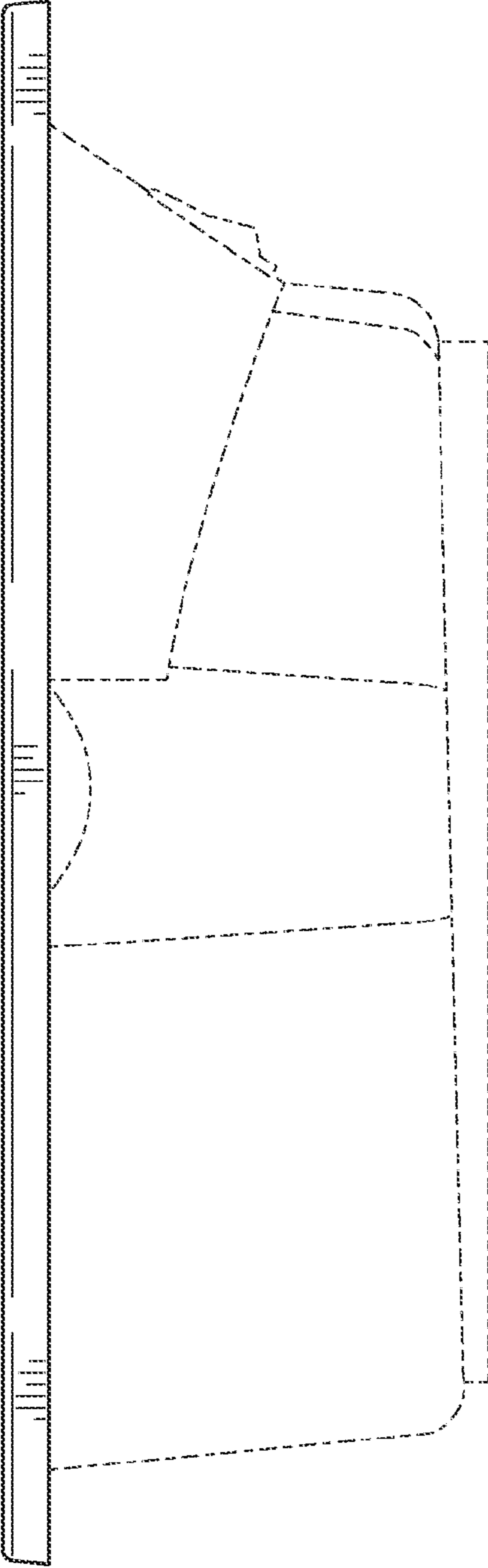


FIG. 2

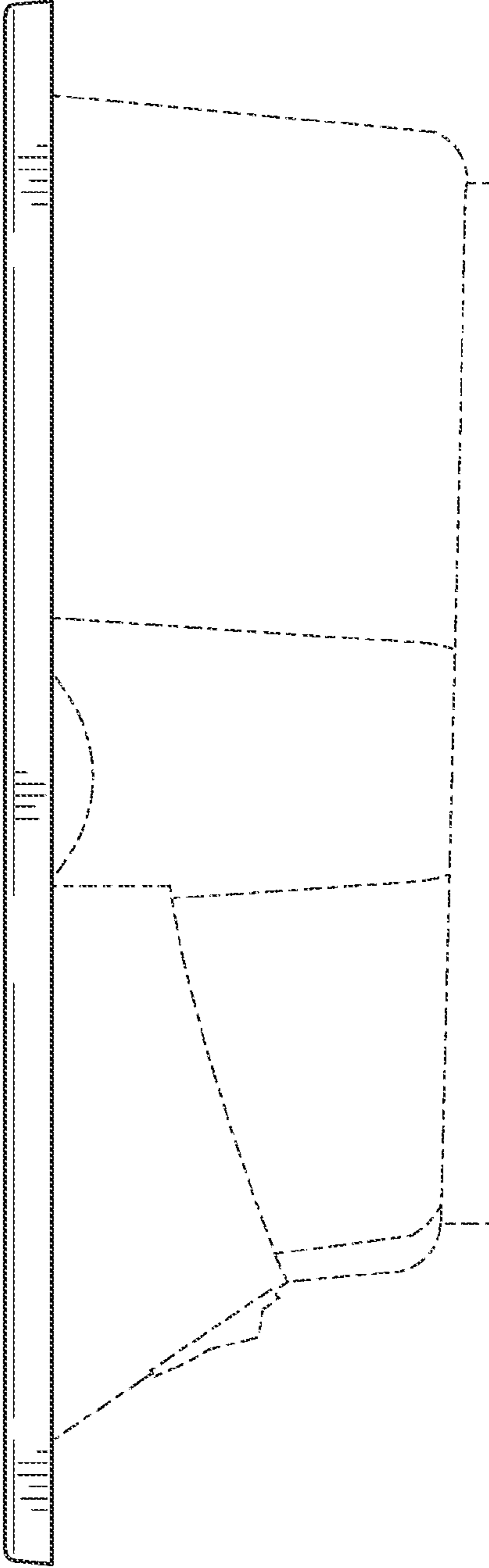


FIG. 3

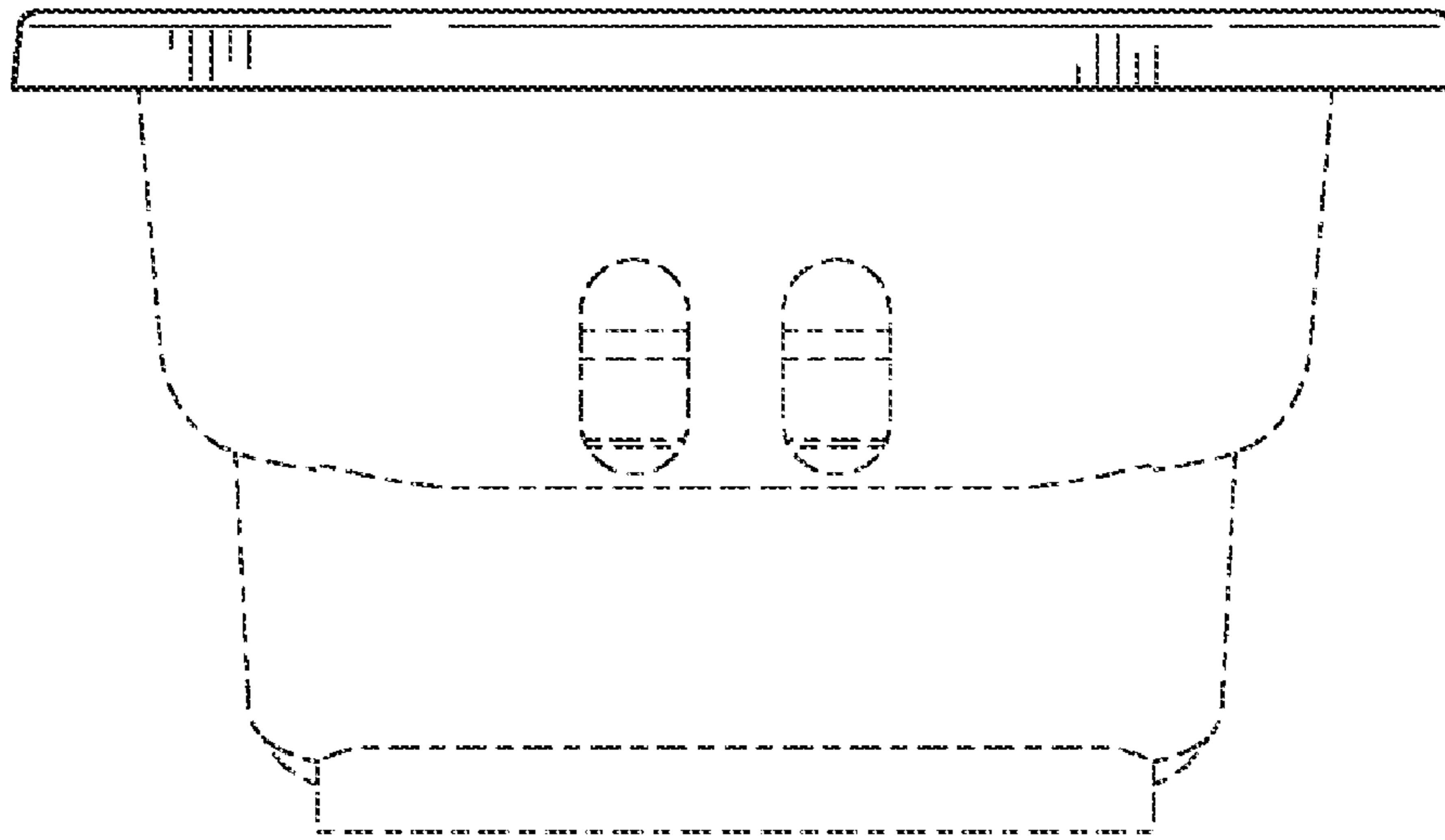


FIG. 4

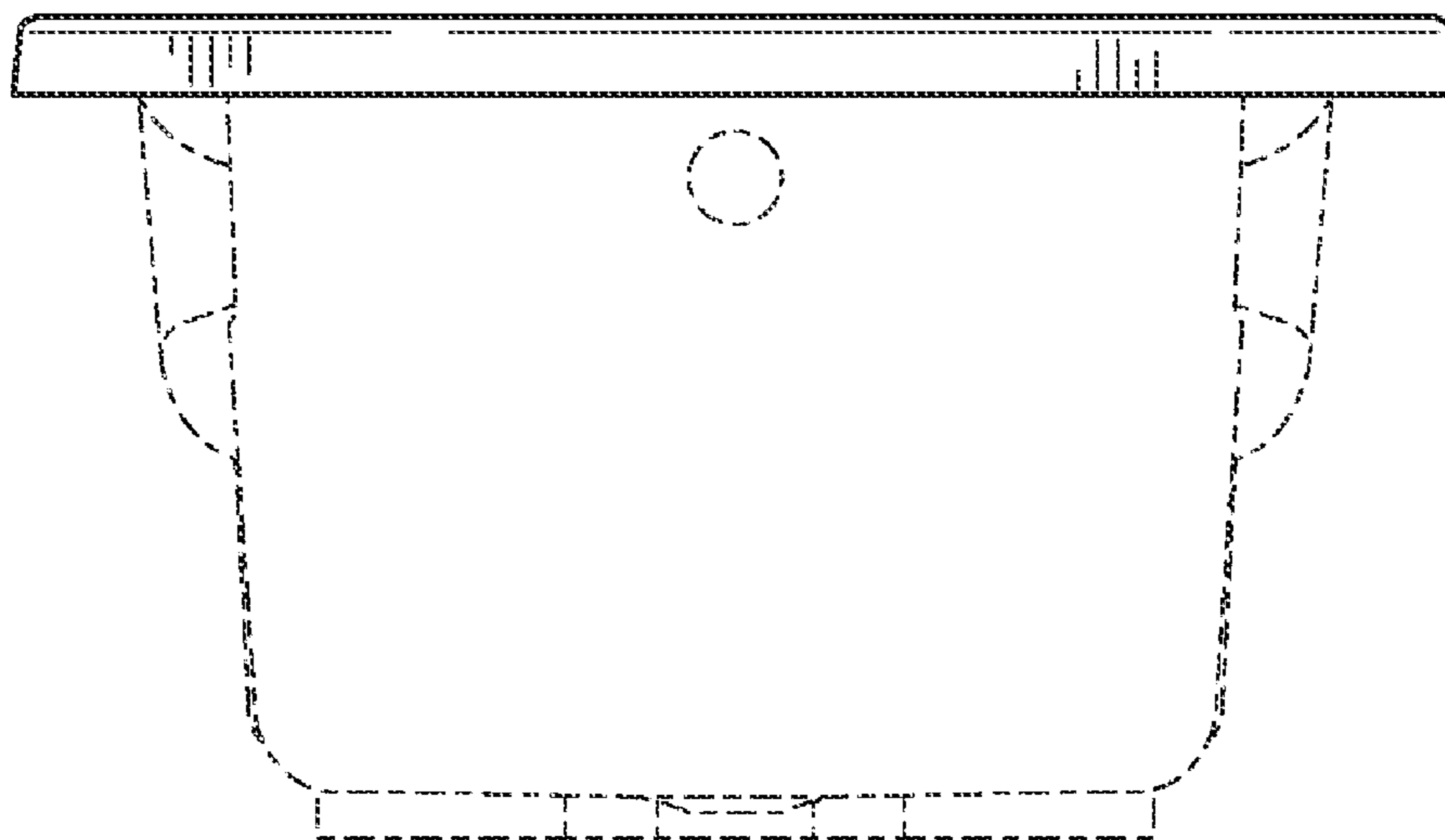


FIG. 5

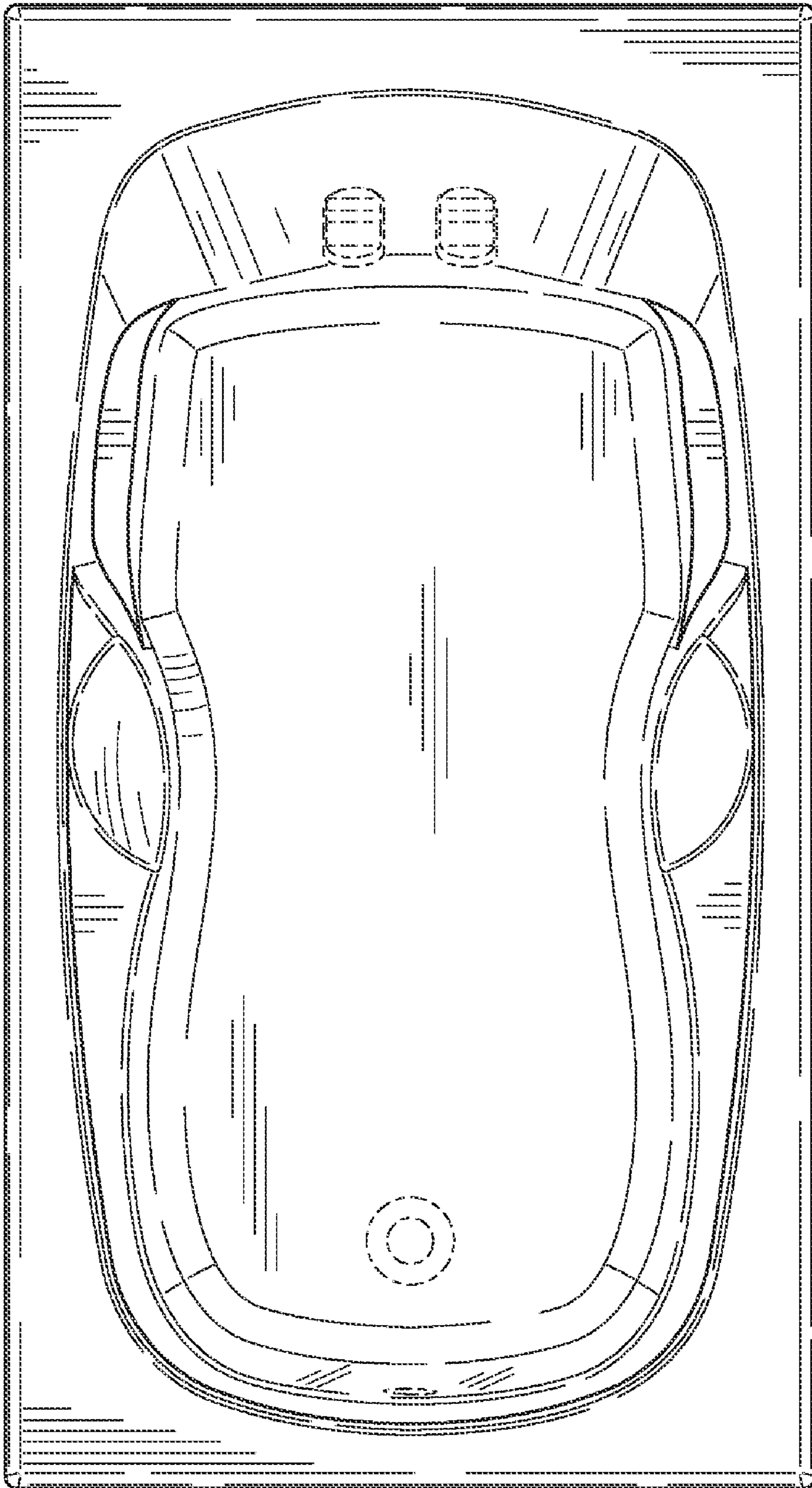


FIG. 6

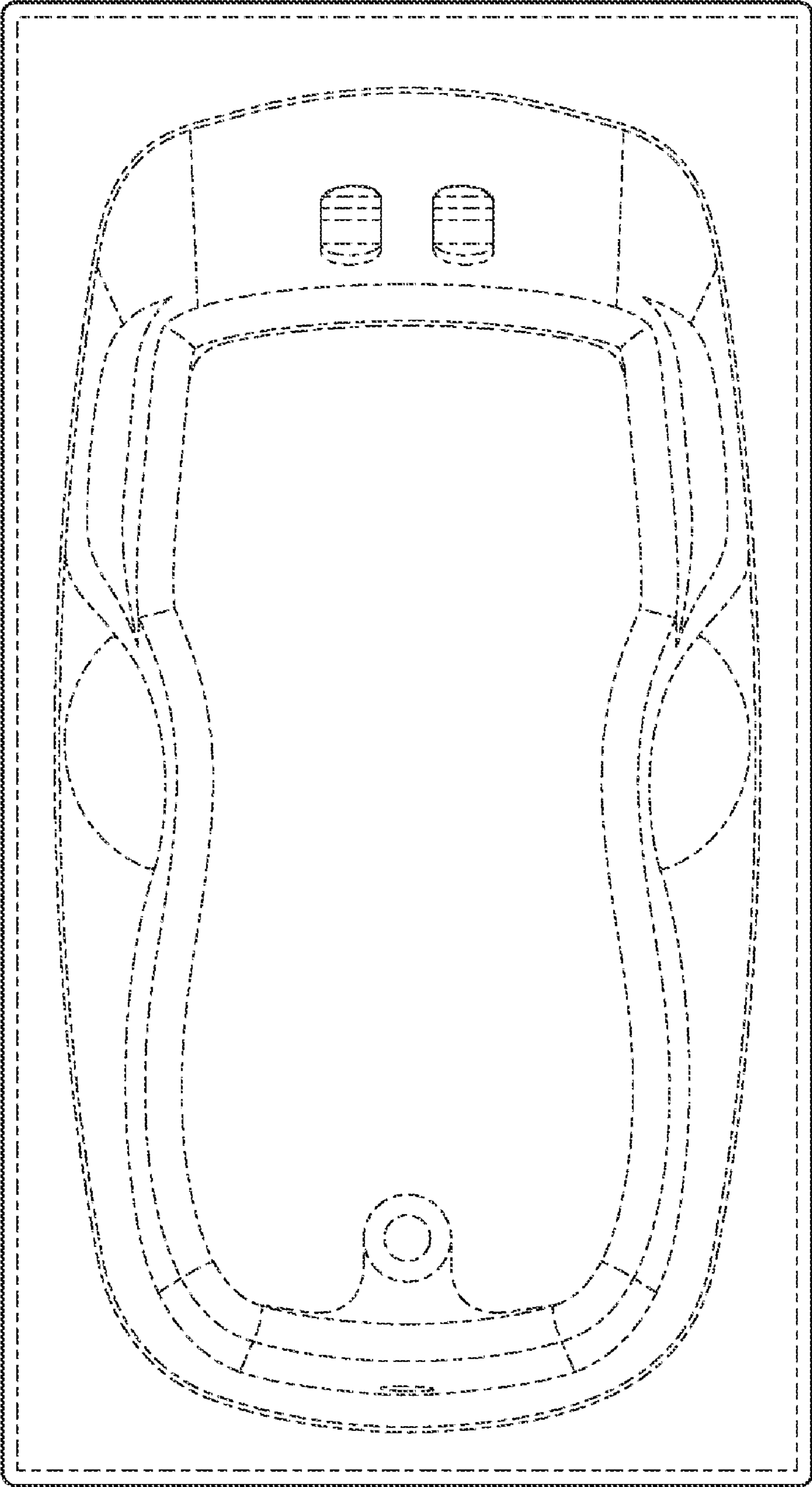


FIG. 7