



US00D612917S

(12) **United States Design Patent**
Eilertson et al.

(10) **Patent No.:** **US D612,917 S**
(45) **Date of Patent:** **** Mar. 30, 2010**

(54) **WATERING HOSE**

(75) Inventors: **Ronald A. Eilertson**, Mansfield, MA
(US); **Timothy L. Chapman**, Humboldt,
TN (US)

(73) Assignee: **Teknor Apex Company**, Pawtucket, RI
(US)

(**) Term: **14 Years**

(21) Appl. No.: **29/286,353**

(22) Filed: **May 2, 2007**

(51) **LOC (9) Cl.** **23-01**

(52) **U.S. Cl.** **D23/266**

(58) **Field of Classification Search** D23/259-269,
D23/285, 303, 337, 356; 138/109, 110, 119,
138/124, 128, 134, 135, 137-146, DIG. 8;
239/542

See application file for complete search history.

(56) **References Cited**

U.S. PATENT DOCUMENTS

D26,562 S *	1/1897	Pike	D23/266
D40,763 S *	7/1910	Bowers	D23/266
D46,944 S	2/1915	Coughlin		
D52,568 S	10/1918	Hallgreen		
D244,033 S	4/1977	Elson		
D296,355 S	6/1988	Kanao		
D413,657 S	9/1999	Lidgett		
D419,653 S	1/2000	Lidgett		
D425,184 S	5/2000	Lidgett		
D454,178 S *	3/2002	Speicher	D23/266
D469,520 S	1/2003	McLean		
D475,439 S	6/2003	Lin		
D478,969 S	8/2003	Mezzalira		
D498,825 S	11/2004	Fu		
D499,465 S	12/2004	Paul, III		

OTHER PUBLICATIONS

Gardena Classic Hose No. 8533.
Gardena 5 ply garden hose Model 39000-20A.

Gardena Garden Flex Hose No. 3528.
Colorite Catalog; (undated); pp. 1-2.
Swan Hose Catalog; 2000; pp. 1, 3.
Parker Hannifin Catalog; 2004; pp. 1, 2, 4.
Flexon Catalog; 2005; p. 12.
Gilmour Product Catalog; 2007; p. 34.
2 pages from website <http://www.ames.com/Resources/Hose.pdf>.
Apex Garden Hose Program; The Power of Progress; 2007.

* cited by examiner

Primary Examiner—Daniel D Bui
Assistant Examiner—Thomas J Johannes

(57) **CLAIM**

The ornamental design for a watering hose, as shown and described.

DESCRIPTION

FIG. 1 is a front perspective view of a watering hose showing a first embodiment of our new design;

FIG. 2 is a side view thereof, with the opposite side being a mirror image thereto;

FIG. 3 is an end view thereof, with the opposite end being a mirror image thereto;

FIG. 4 is a top view thereof;

FIG. 5 is a bottom view thereof;

FIG. 6 is a front perspective view of a watering hose showing a second embodiment of our new design;

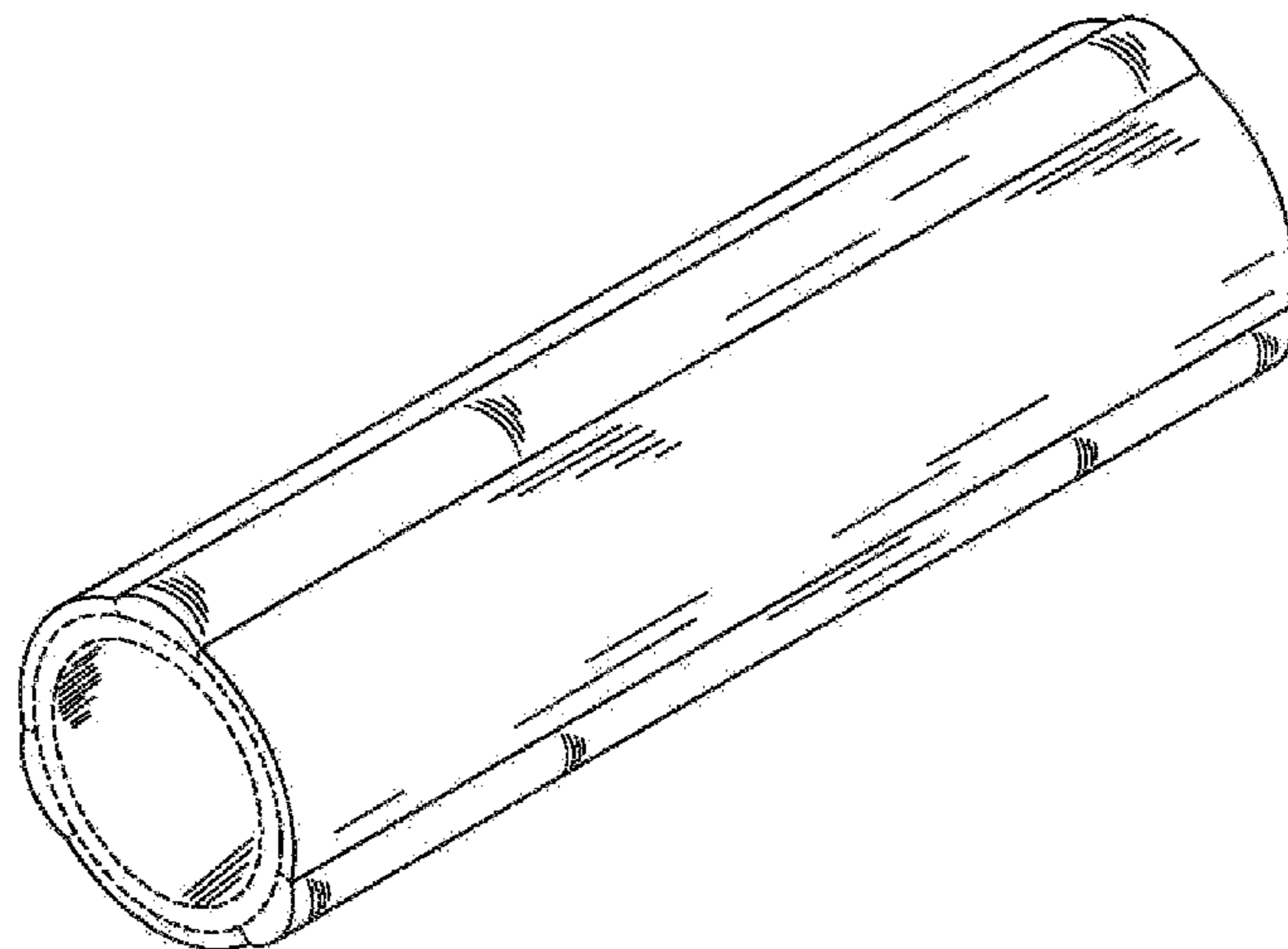
FIG. 7 is a side view thereof, with the opposite side being a mirror image thereto;

FIG. 8 is an end view thereof, with the opposite end being a mirror image thereto; and,

FIG. 9 is a top view thereof, with the bottom view being a mirror image thereto.

The broken line disclosures of the internal hose diameter and structure is for illustrative purposes only and form no part of the claimed design.

1 Claim, 4 Drawing Sheets



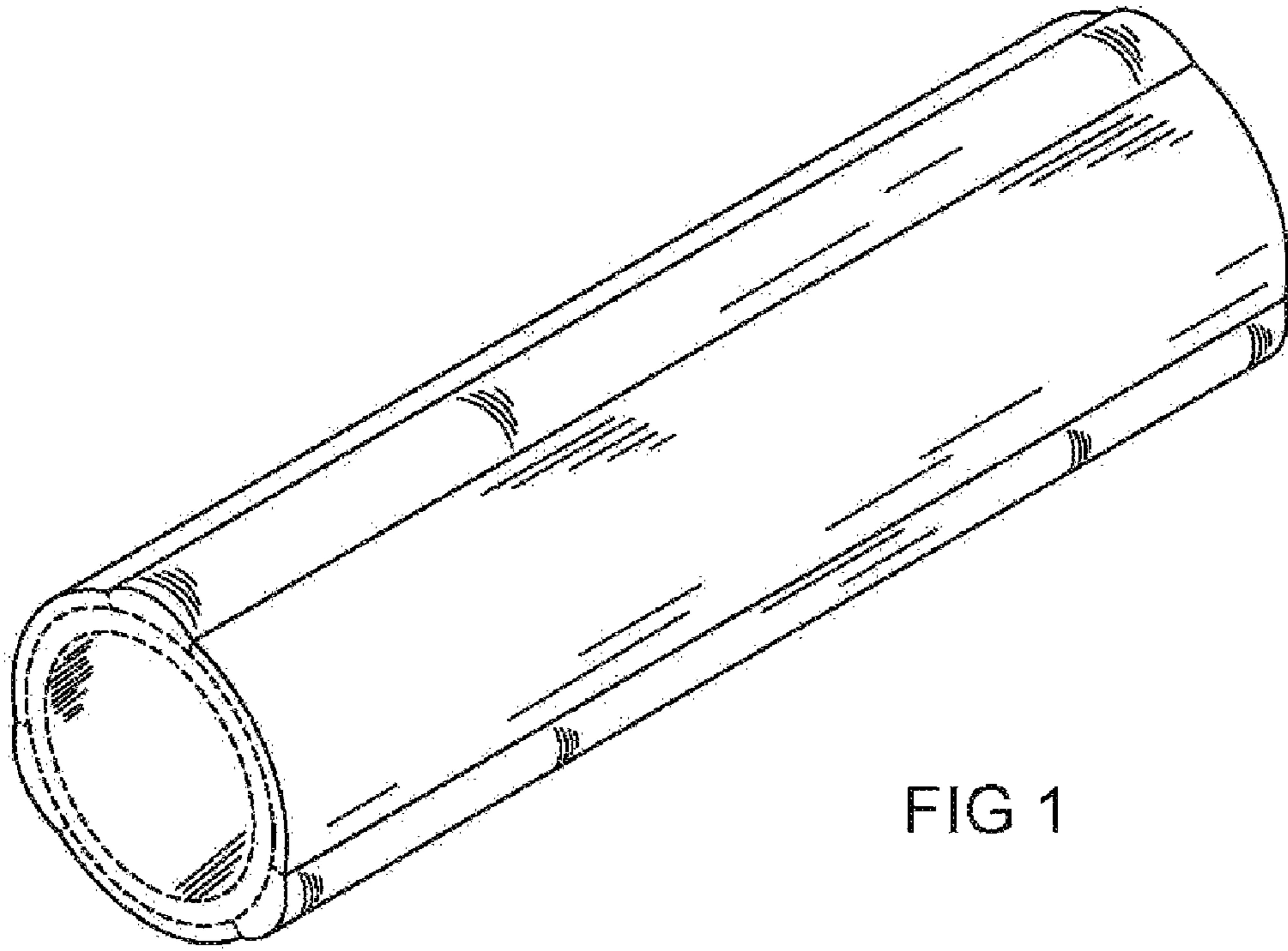


FIG 1

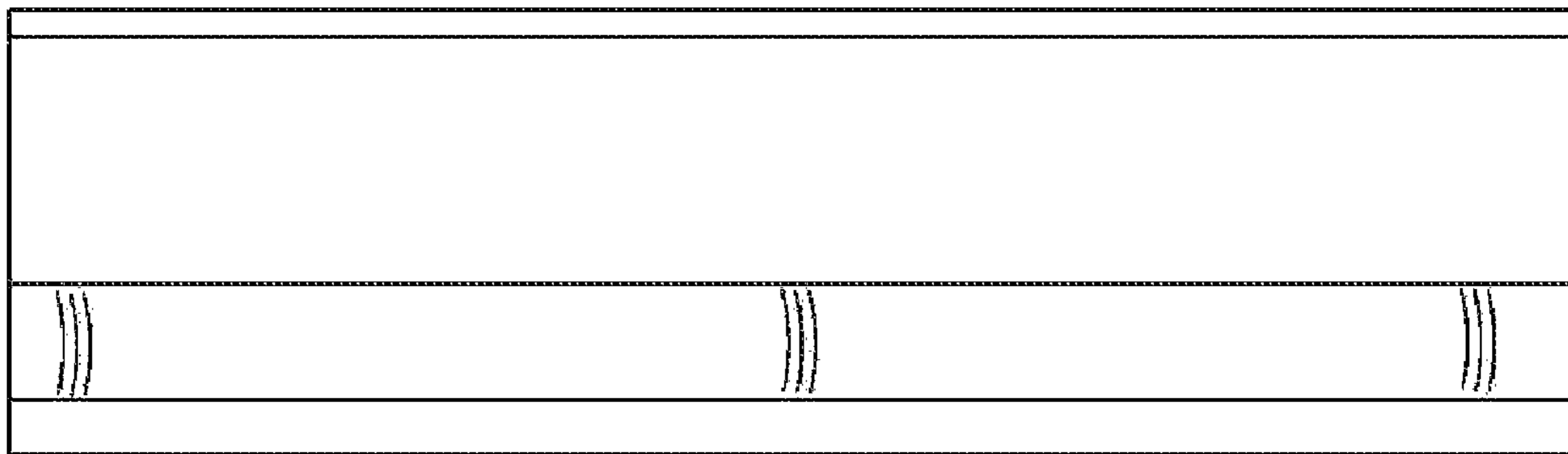


FIG 2

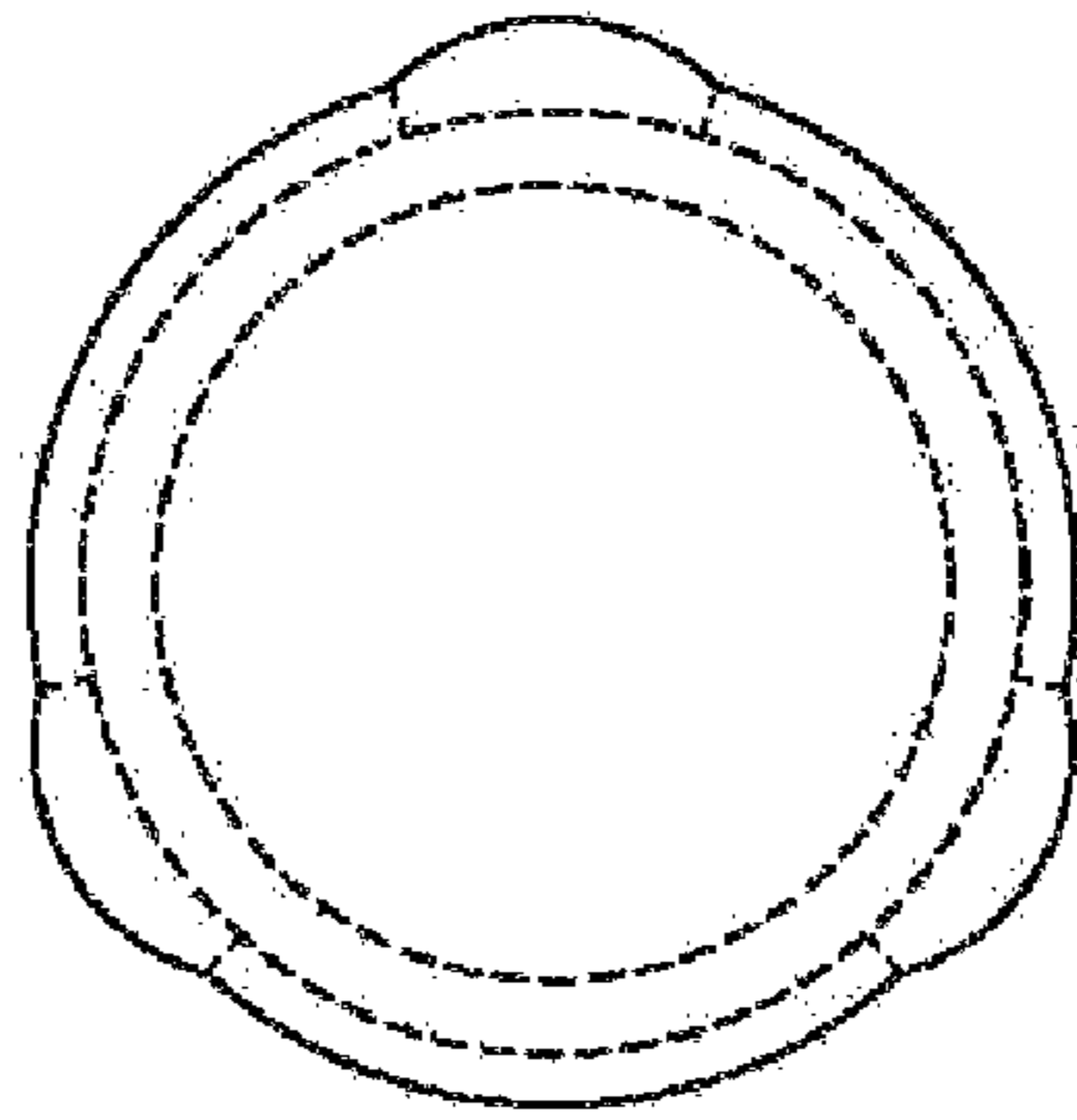


FIG 3

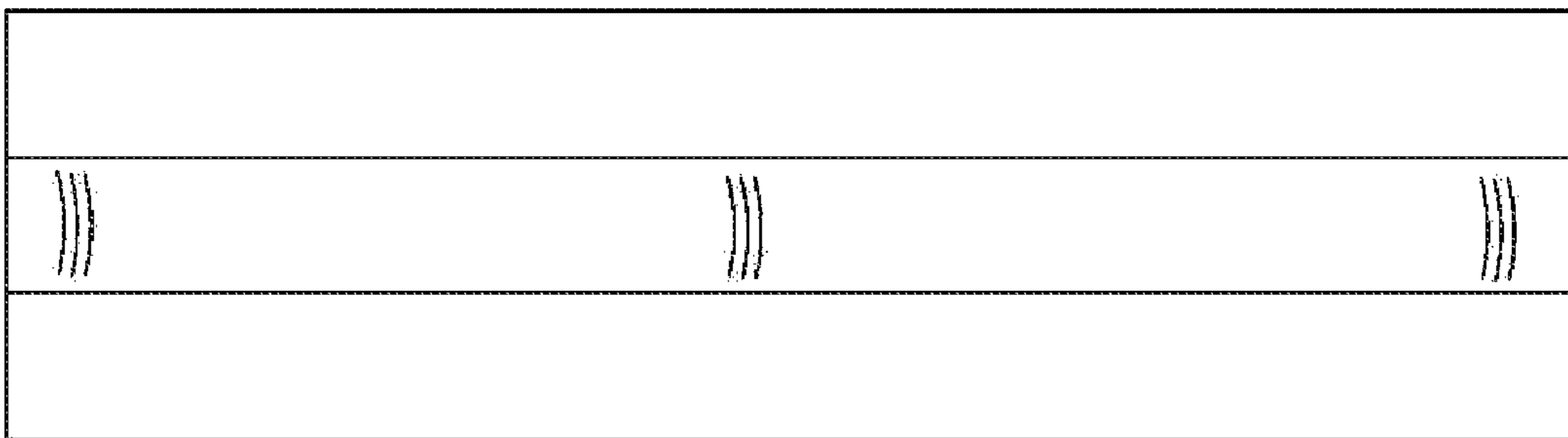


FIG 4

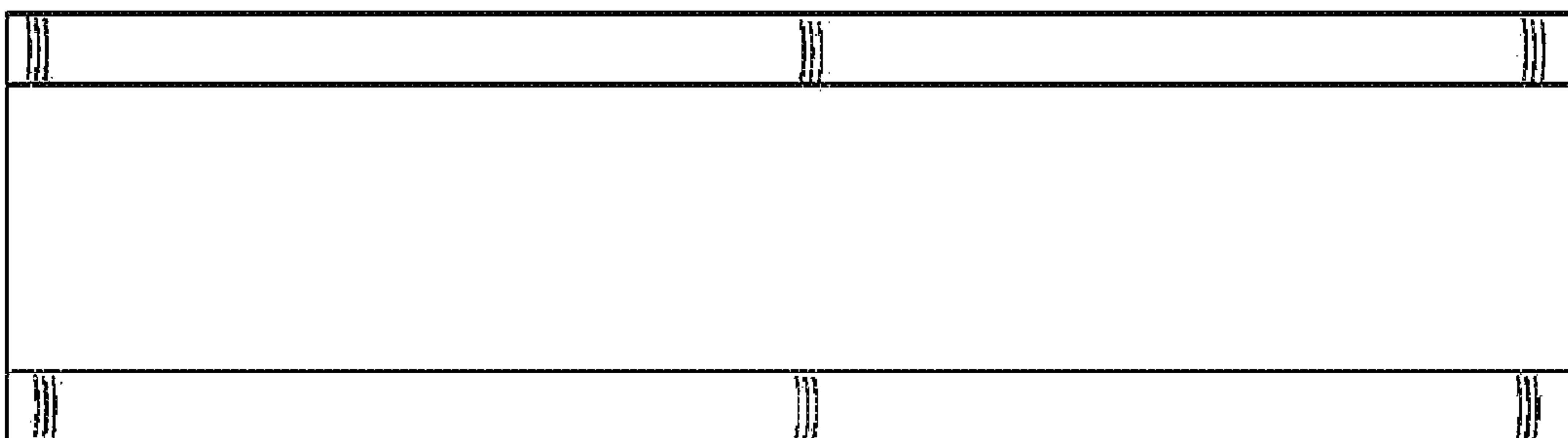


FIG 5

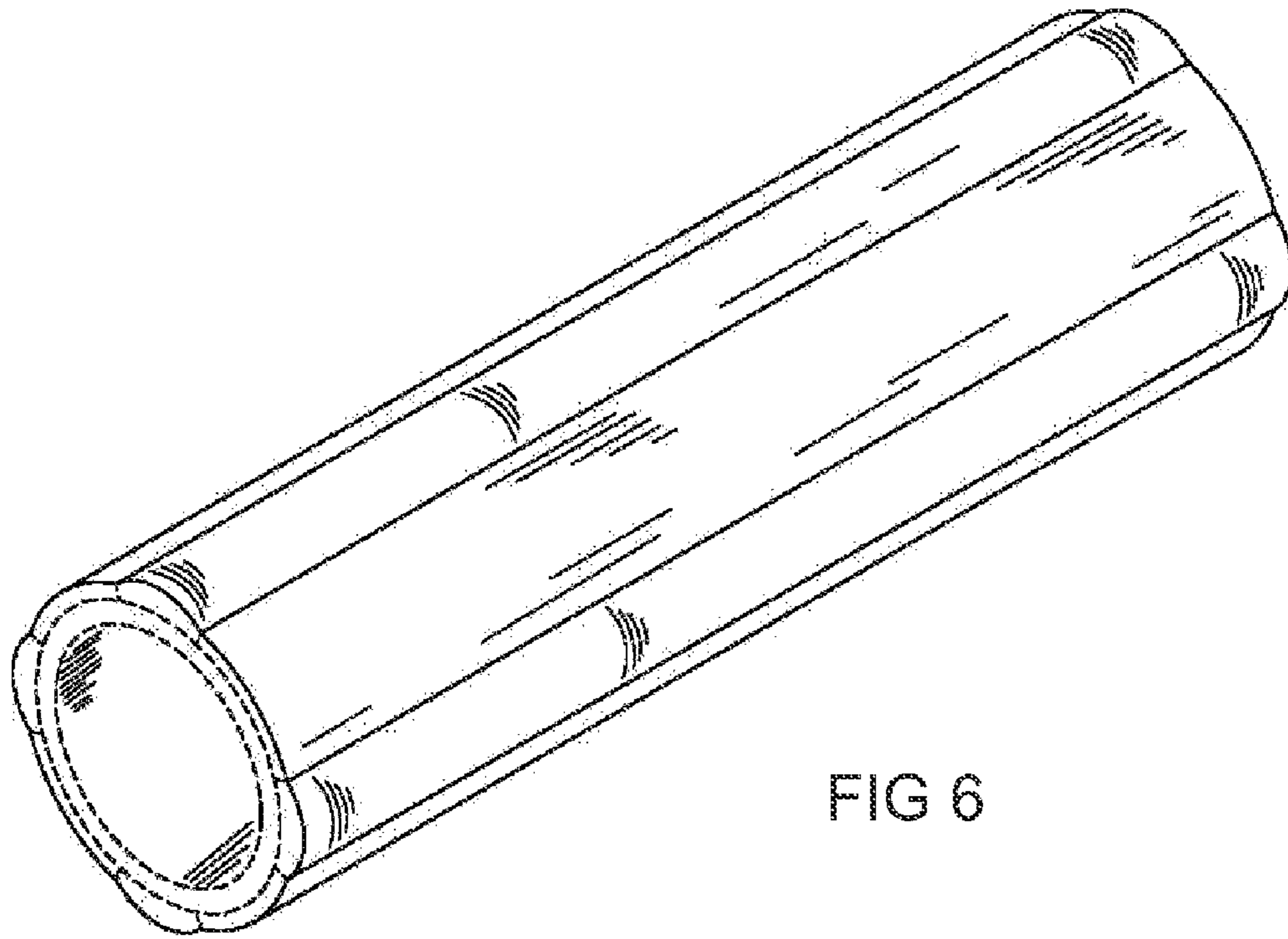


FIG 6

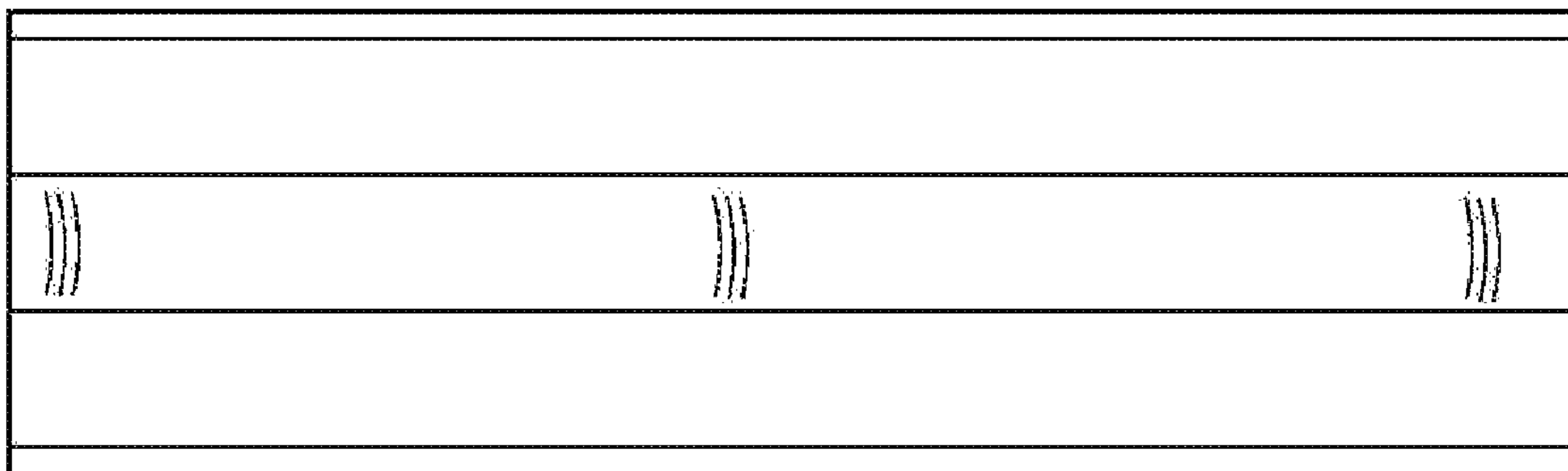


FIG 7

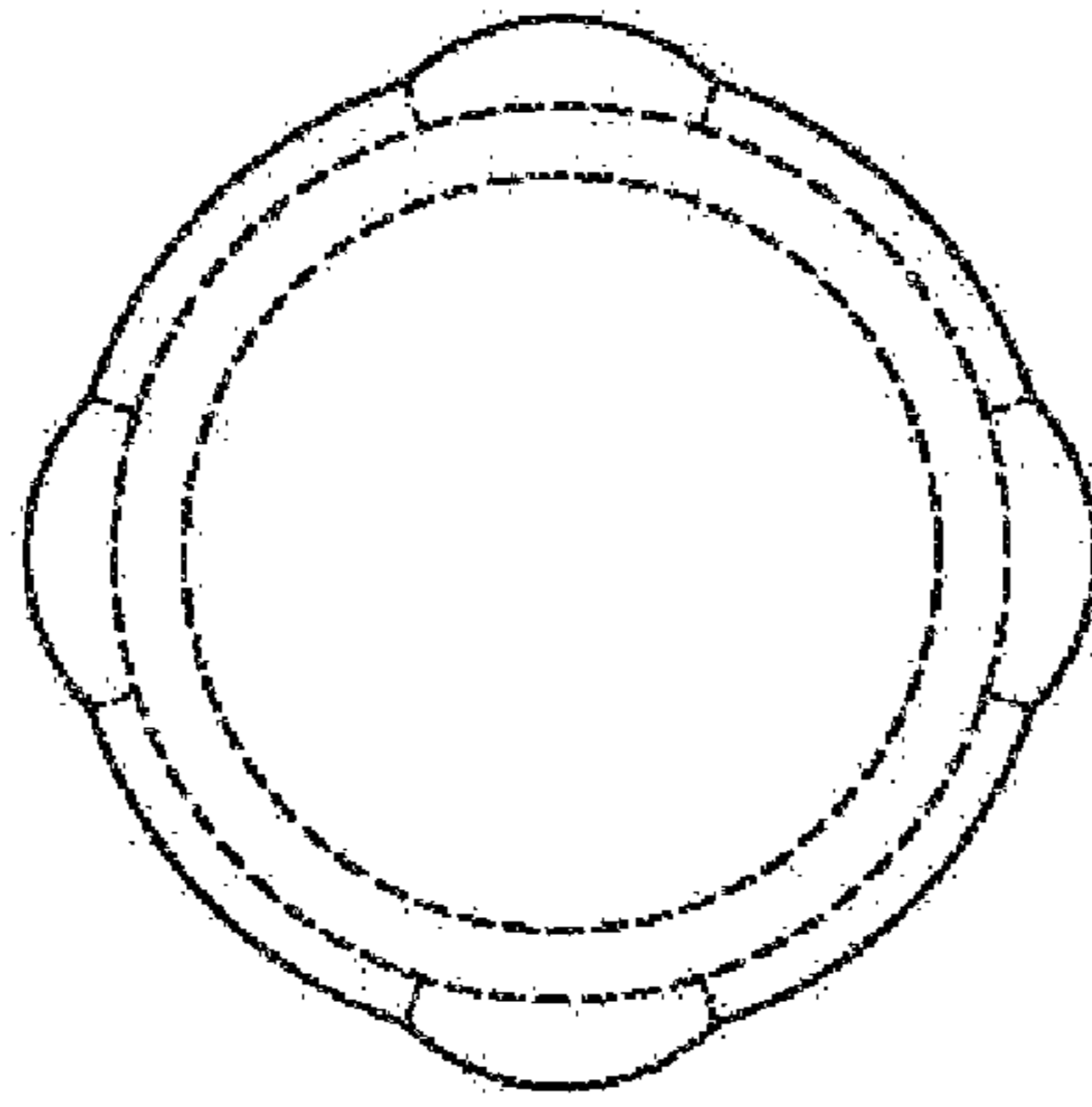


FIG 8

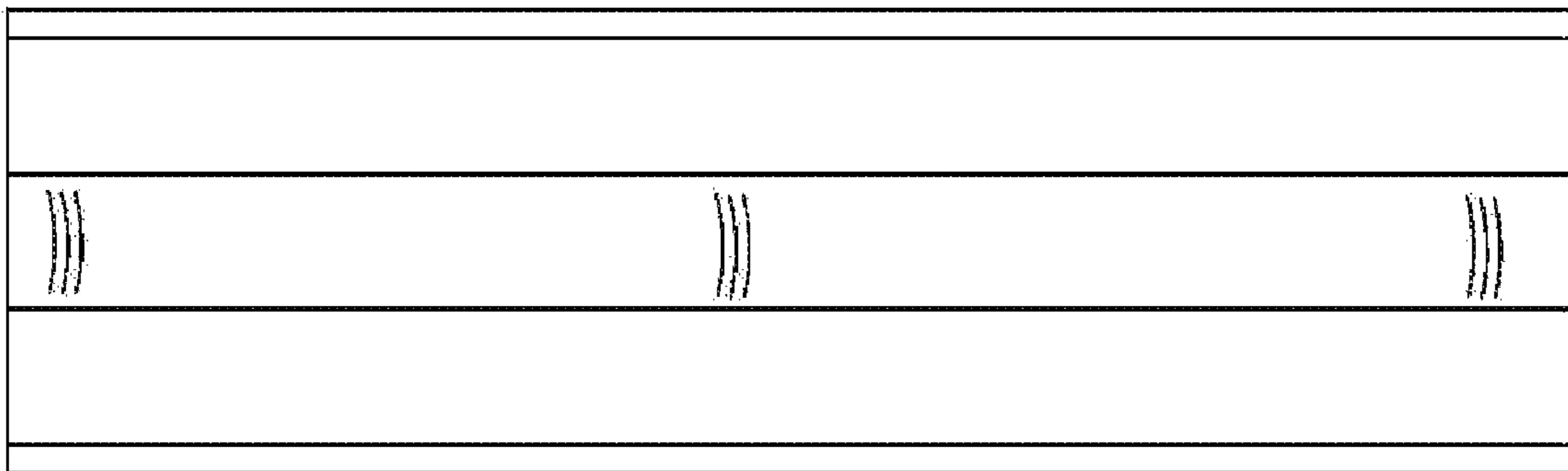


FIG 9