



US00D612916S

(12) **United States Design Patent**
Hartman

(10) **Patent No.:** **US D612,916 S**

(45) **Date of Patent:** **** Mar. 30, 2010**

(54) **PIPE INSULATOR**

(76) Inventor: **Steven Hartman**, 5570 Eight Line, R.R.
#2, Erin, ON (CA) N0B 1T0

(**) Term: **14 Years**

(21) Appl. No.: **29/279,855**

(22) Filed: **May 9, 2007**

(51) **LOC (9) Cl.** **23-01**

(52) **U.S. Cl.** **D23/266**

(58) **Field of Classification Search** D23/259–269,
D23/285, 303, 337, 356; D34/27; 29/890.053;
138/109, 110, 115, 119, 128, 134, 135
See application file for complete search history.

(56) **References Cited**

U.S. PATENT DOCUMENTS

2,624,366	A *	1/1953	Pugh	138/115
3,004,330	A *	10/1961	Wilkins	29/890.053
5,099,889	A *	3/1992	Ratzlaff	138/110
D375,599	S *	11/1996	Hirano et al.	D34/27
D375,600	S *	11/1996	Hirano et al.	D34/27
5,988,227	A *	11/1999	Magoffin	138/110
D488,545	S *	4/2004	Takamatu	D23/266
2005/0005986	A1 *	1/2005	Topek et al.	138/115
2006/0070678	A1 *	4/2006	Koerner	138/110

2008/0302436 A1* 12/2008 Elowitz 138/110
2009/0050226 A1* 2/2009 Mirmand et al. 138/110

* cited by examiner

Primary Examiner—Daniel D Bui

Assistant Examiner—Thomas J Johannes

(57) **CLAIM**

The ornamental design for the “pipe insulator,” as shown and described.

DESCRIPTION

FIG. 1 is a top perspective view of a pipe insulator showing my new design.

FIG. 2 is a bottom perspective view thereof.

FIG. 3 is a front view thereof.

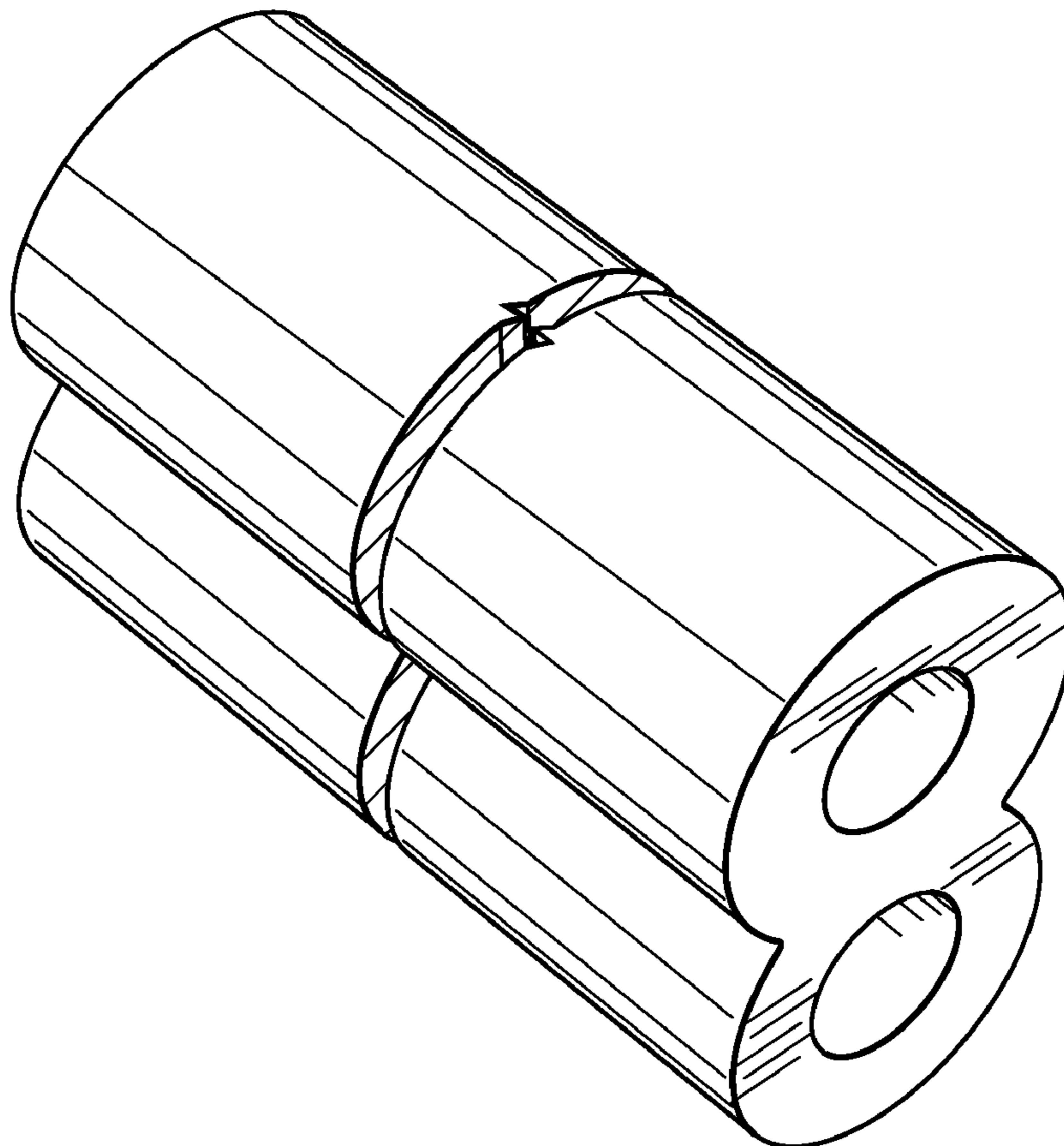
FIG. 4 is an end view thereof.

FIG. 5 is a top view thereof; and,

FIG. 6 is a bottom view thereof.

The pipe insulator is shown broken away with solid, cut-off lines in the figures to indicate that no specific length is being claimed—it is understood that the interrupted portion of the pipe insulator has a uniform shape and appearance throughout its length.

1 Claim, 2 Drawing Sheets



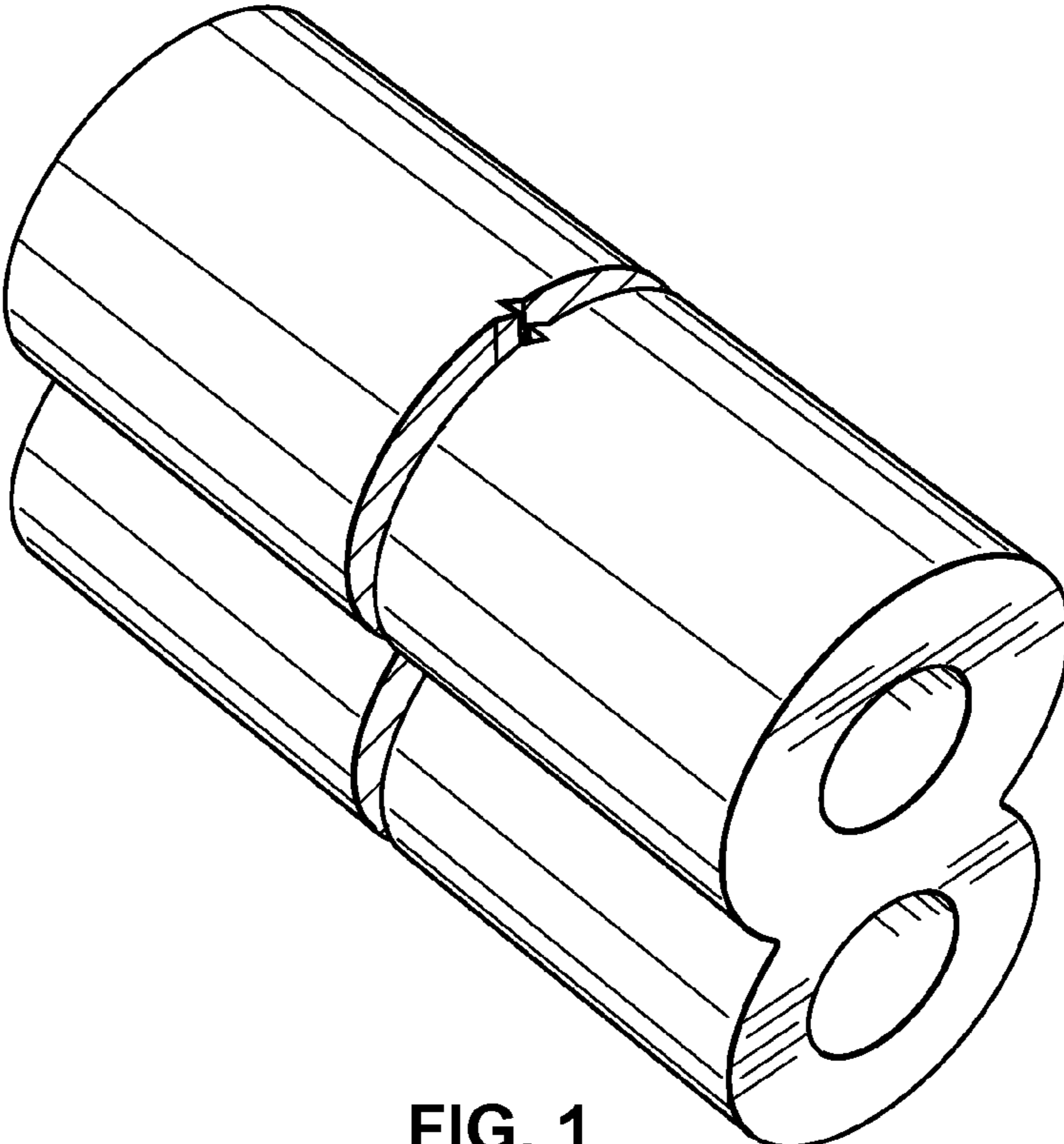


FIG. 1

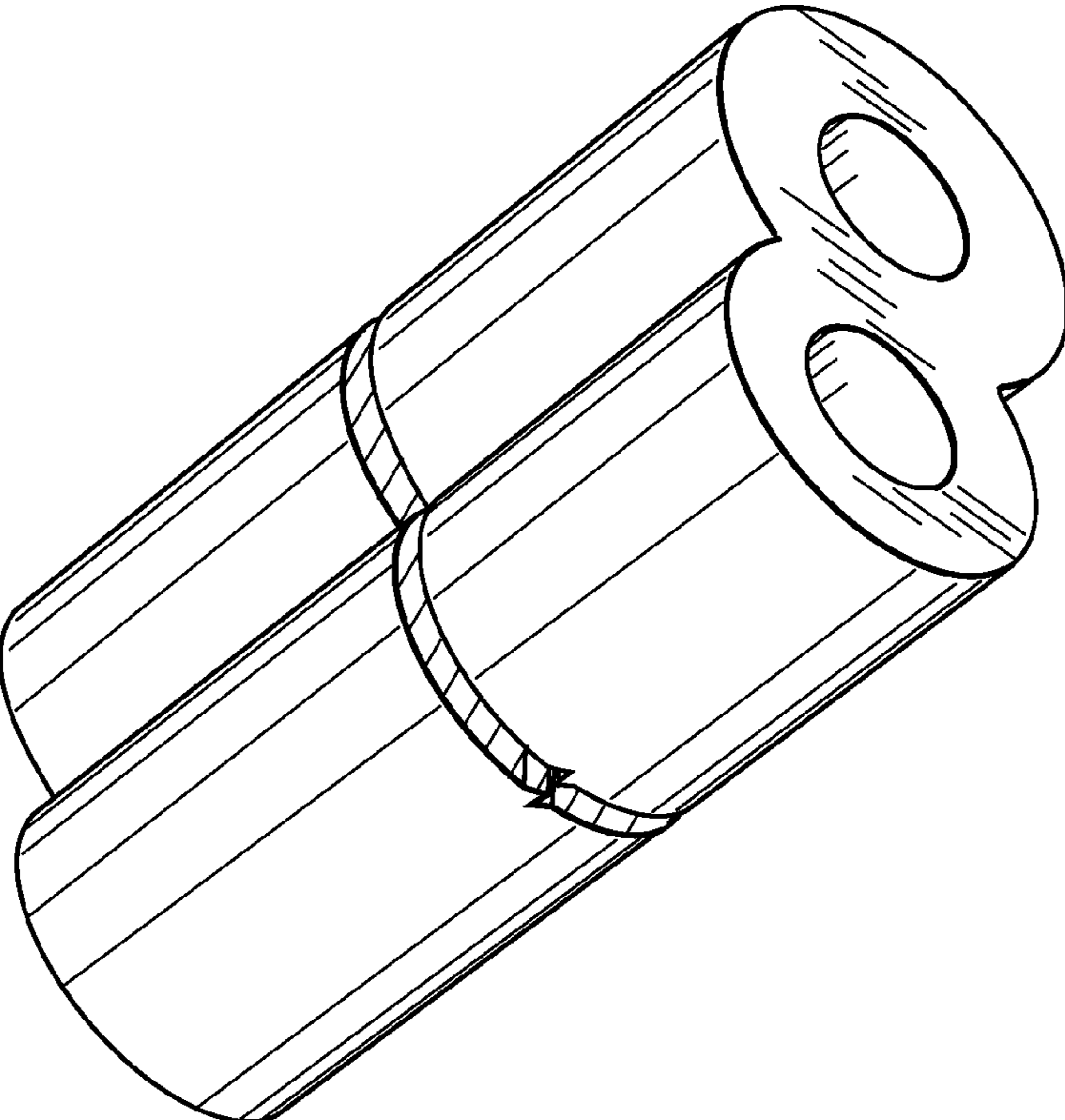


FIG. 2

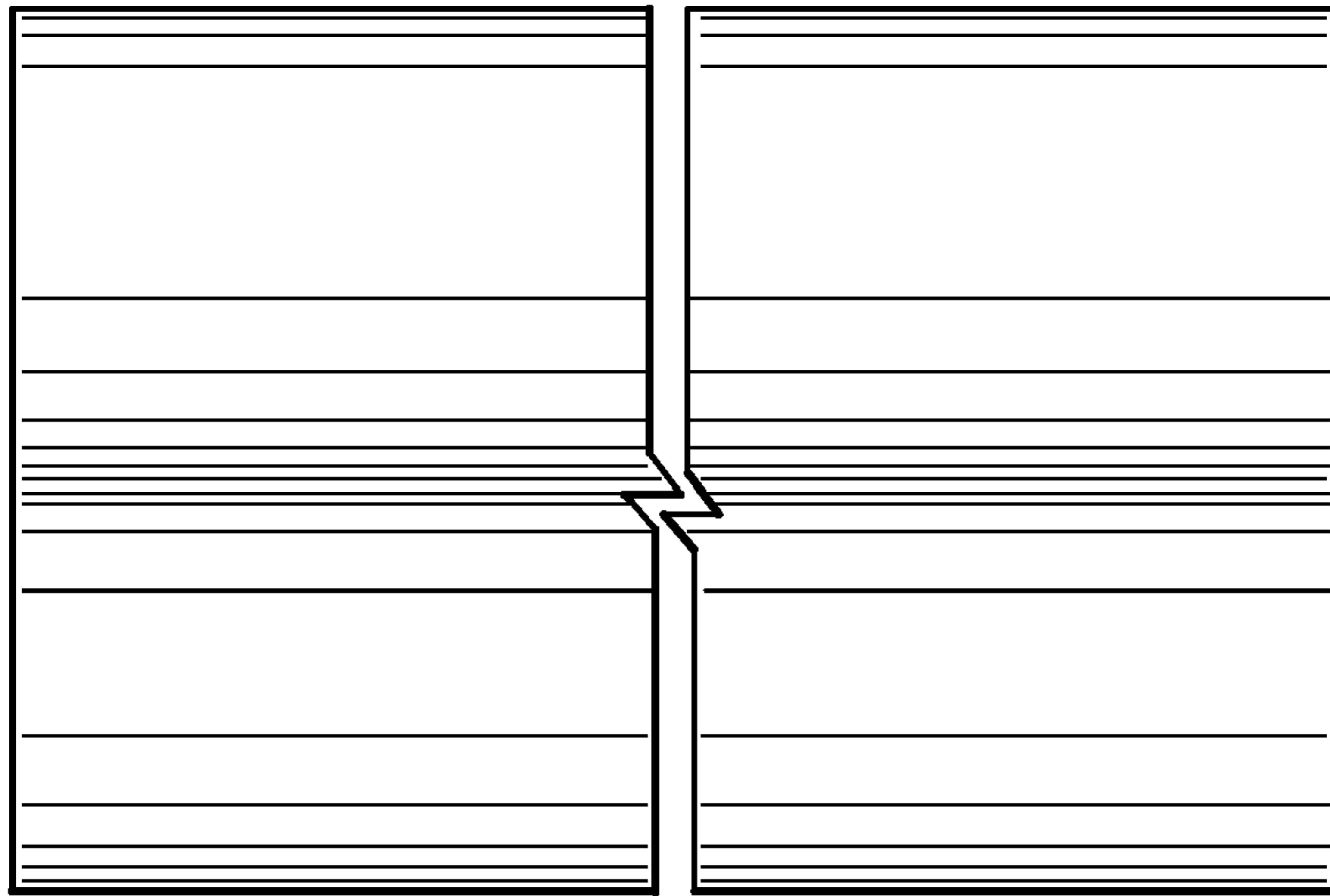


FIG. 3

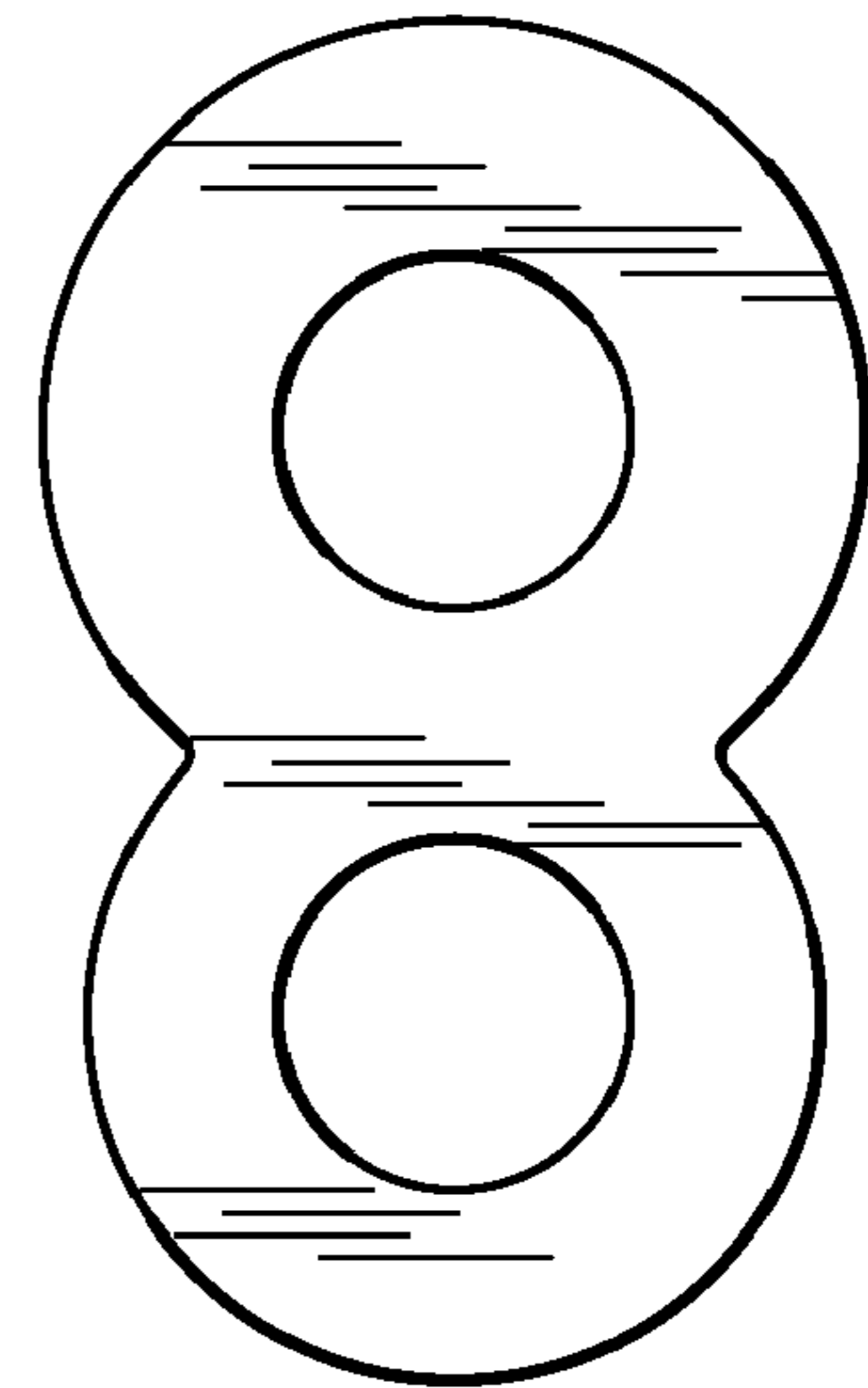


FIG. 4

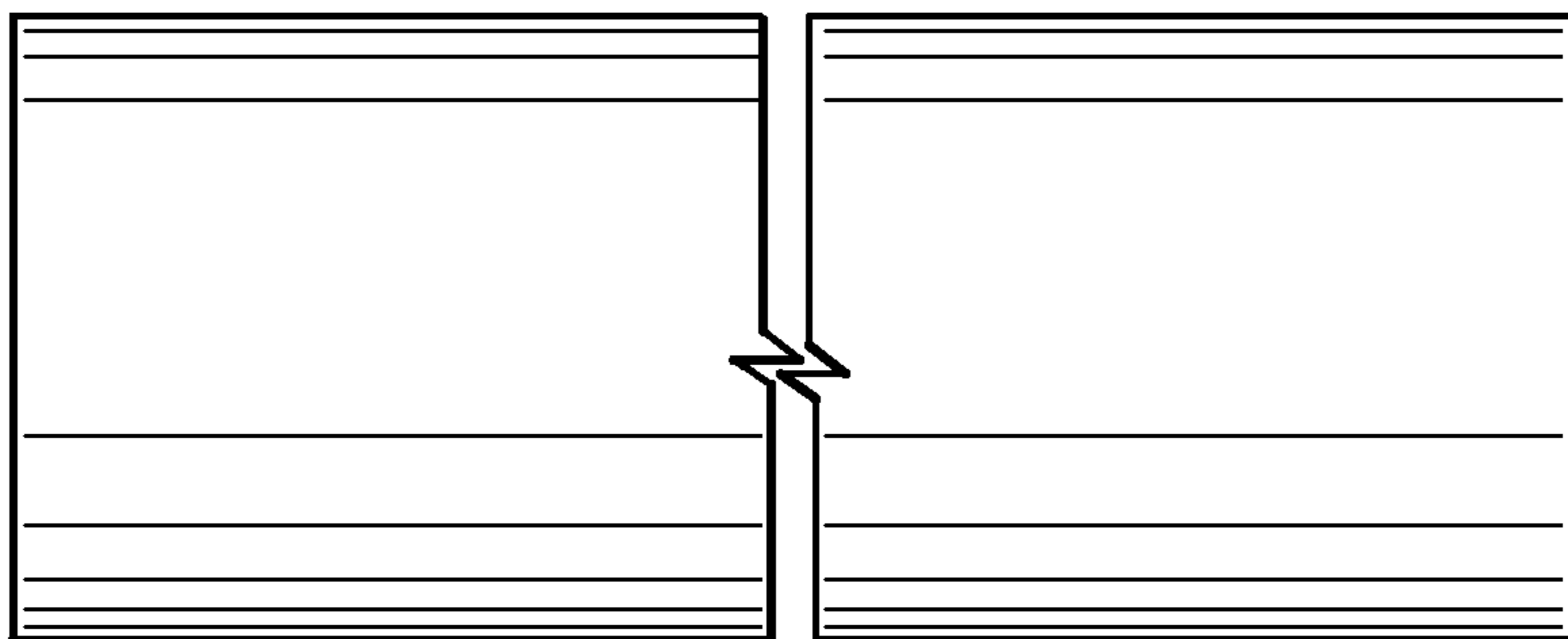


FIG. 5

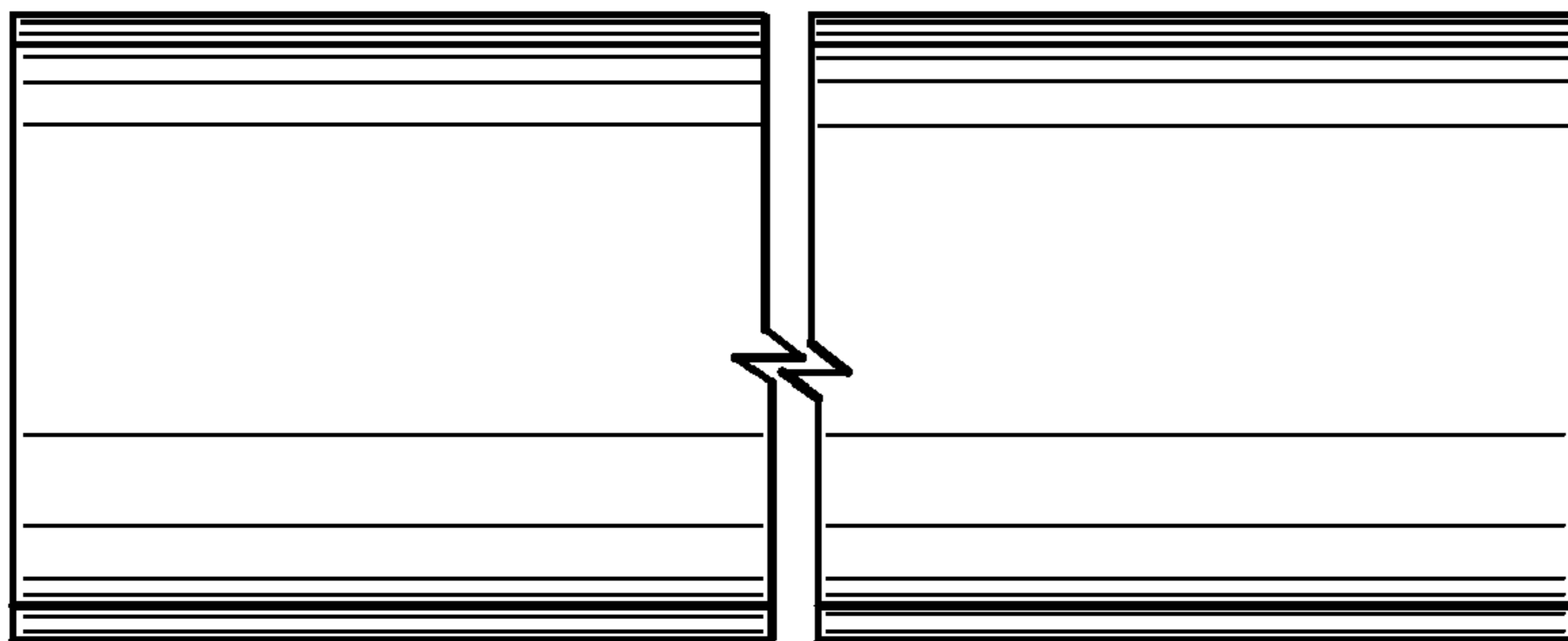


FIG. 6