



US00D612912S

(12) **United States Design Patent**
Delaney et al.

(10) **Patent No.:** **US D612,912 S**
(45) **Date of Patent:** **** Mar. 30, 2010**

(54) **DRAIN CONNECTOR**

(75) Inventors: **Dan Delaney**, Pinckney, MI (US);
Suzanne Damaske, Howell, MI (US);
Carrie Ellen Hall, Jackson, MI (US);
Andy Bialorucki, Lambertville, MI (US)

(73) Assignee: **Thetford Corporation**, Ann Arbor, MI (US)

(**) Term: **14 Years**

(21) Appl. No.: **29/333,675**

(22) Filed: **Mar. 13, 2009**

(51) **LOC (9) Cl.** **23-01**

(52) **U.S. Cl.** **D23/259**

(58) **Field of Classification Search** D23/259-269;
285/11-12, 7, 177, 394-395, 307, 179, 179.1,
285/133.11, 133.12, 423, 358, 903; 138/177-179;
403/350, 409.1; 292/58-59
See application file for complete search history.

(56) **References Cited**

U.S. PATENT DOCUMENTS

- 2,718,012 A 9/1955 Howe
- 3,320,621 A 5/1967 Vita
- 3,699,592 A 10/1972 Minchak
- 3,733,617 A 5/1973 Bennett
- 3,762,684 A 10/1973 Stein
- 3,811,462 A 5/1974 Feliz
- 3,878,569 A 4/1975 Peirish, Jr. et al.
- 3,963,040 A 6/1976 Gezari
- 4,032,995 A 7/1977 Kemper
- 4,111,225 A 9/1978 Phelps
- 4,133,347 A 1/1979 Mercer
- 4,223,702 A 9/1980 Cook
- 4,550,453 A 11/1985 Norman
- 4,554,949 A 11/1985 Sell
- 4,587,994 A 5/1986 Links et al.
- 4,643,229 A 2/1987 Hickin
- 4,722,556 A * 2/1988 Todd 285/12
- 4,734,943 A 4/1988 Mellinger et al.
- 4,736,968 A 4/1988 Glegg

- 4,758,027 A * 7/1988 Todd 285/148.23
- 4,779,650 A 10/1988 Sargent et al.
- 4,796,926 A 1/1989 Rapsilver
- 4,844,121 A 7/1989 Duke
- 4,846,212 A 7/1989 Scobie et al.
- 4,854,349 A 8/1989 Foreman
- D320,562 S 10/1991 Brester et al.
- D324,727 S 3/1992 Rowley
- D325,075 S 3/1992 Rowley
- 5,141,017 A 8/1992 Trottier
- 5,311,909 A 5/1994 Adcock

(Continued)

FOREIGN PATENT DOCUMENTS

WO WO 2004039638 A2 5/2004

Primary Examiner—T. Chase Nelson
Assistant Examiner—Eric L Goodman
(74) *Attorney, Agent, or Firm*—Harness, Dickey & Pierce, P.L.C.

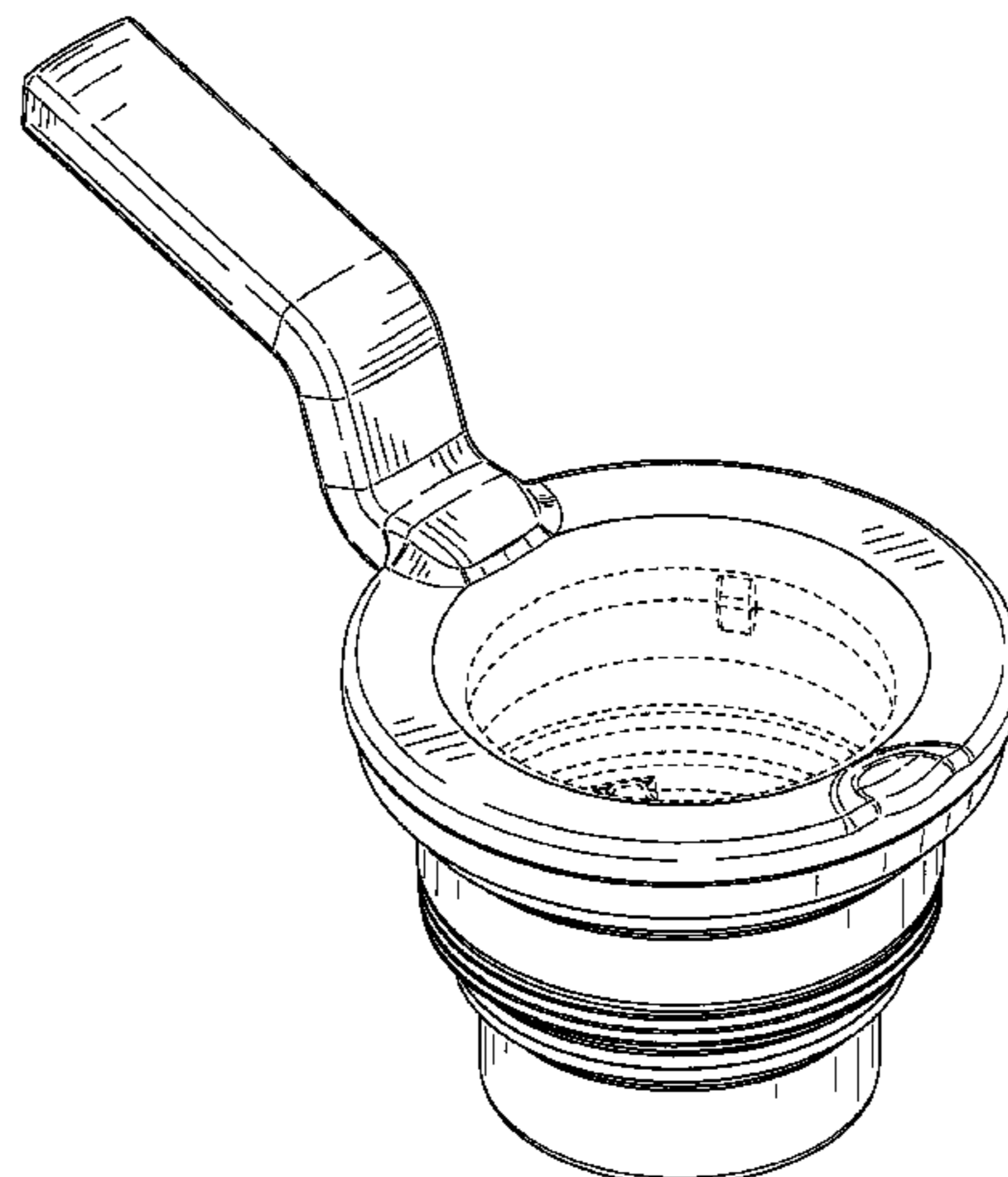
(57) **CLAIM**

The ornamental design for a drain connector, as shown and described.

DESCRIPTION

FIG. 1 is a perspective view of a drain connector in accordance with our design;
FIG. 2 is a left side view thereof, it being understood that the opposite side is a substantial mirror image;
FIG. 3 is a top view thereof;
FIG. 4 is a front view thereof; and,
FIG. 5 is a rear view thereof.
The broken line showing is for the purpose of illustrating portions of the article that form no part of the claimed design.

1 Claim, 5 Drawing Sheets



US D612,912 S

Page 2

U.S. PATENT DOCUMENTS					
5,330,233	A	7/1994 Kress	7,013,922	B2	3/2006 Thum
5,417,460	A *	5/1995 Lunder 285/253	7,144,046	B1 *	12/2006 Lape et al. 285/180
5,431,455	A	7/1995 Seely	D547,172	S	7/2007 Kent et al.
5,653,262	A	8/1997 Hanemaayer	D549,815	S	8/2007 Murphy
5,934,331	A	8/1999 Earl	D561,302	S *	2/2008 Brockington et al. D23/262
5,971,438	A *	10/1999 Johnson 285/12	D564,637	S	3/2008 Brockington et al.
5,987,658	A	11/1999 Richards et al.	D568,450	S	5/2008 King, Jr. et al.
6,029,707	A	2/2000 Couch	D585,348	S	1/2009 Yan et al.
D422,255	S	4/2000 Gonzales	D586,433	S	2/2009 Price et al.
D441,848	S *	5/2001 Huang D23/261	2002/0032926	A1	3/2002 Lewis
6,352,088	B1	3/2002 Stegall	2002/0179169	A1	12/2002 Shanfelt
6,427,715	B1	8/2002 Brockington et al.	2003/0085571	A1	5/2003 Avery
6,550,074	B1	4/2003 Allenbaugh et al.	2004/0112432	A1	6/2004 Swarts
6,607,009	B2	8/2003 Schoellhorn et al.	2005/0150562	A1	7/2005 Anderson
6,802,343	B2	10/2004 Faahs	2006/0070660	A1	4/2006 Swarts
6,886,867	B1	5/2005 Sutton et al.	2007/0007763	A1	1/2007 Deaton
6,957,668	B1	10/2005 Highsmith	2007/0052235	A1	3/2007 Buff
6,991,192	B2	1/2006 Phillips et al.	2007/0295420	A1	12/2007 Swarts
D514,663	S	2/2006 French	2009/0236001	A1	9/2009 Damaske et al.

* cited by examiner

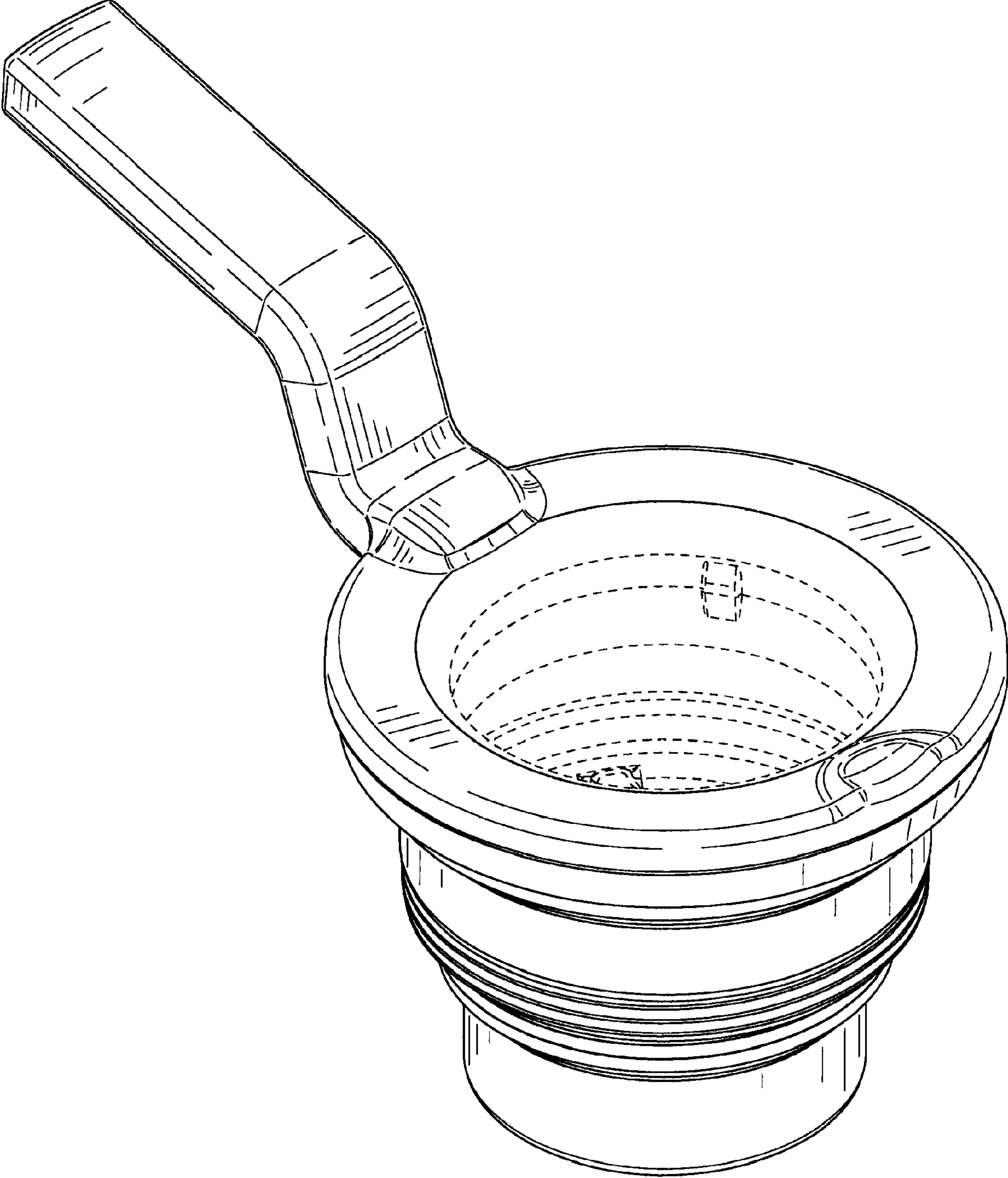


FIG. 1

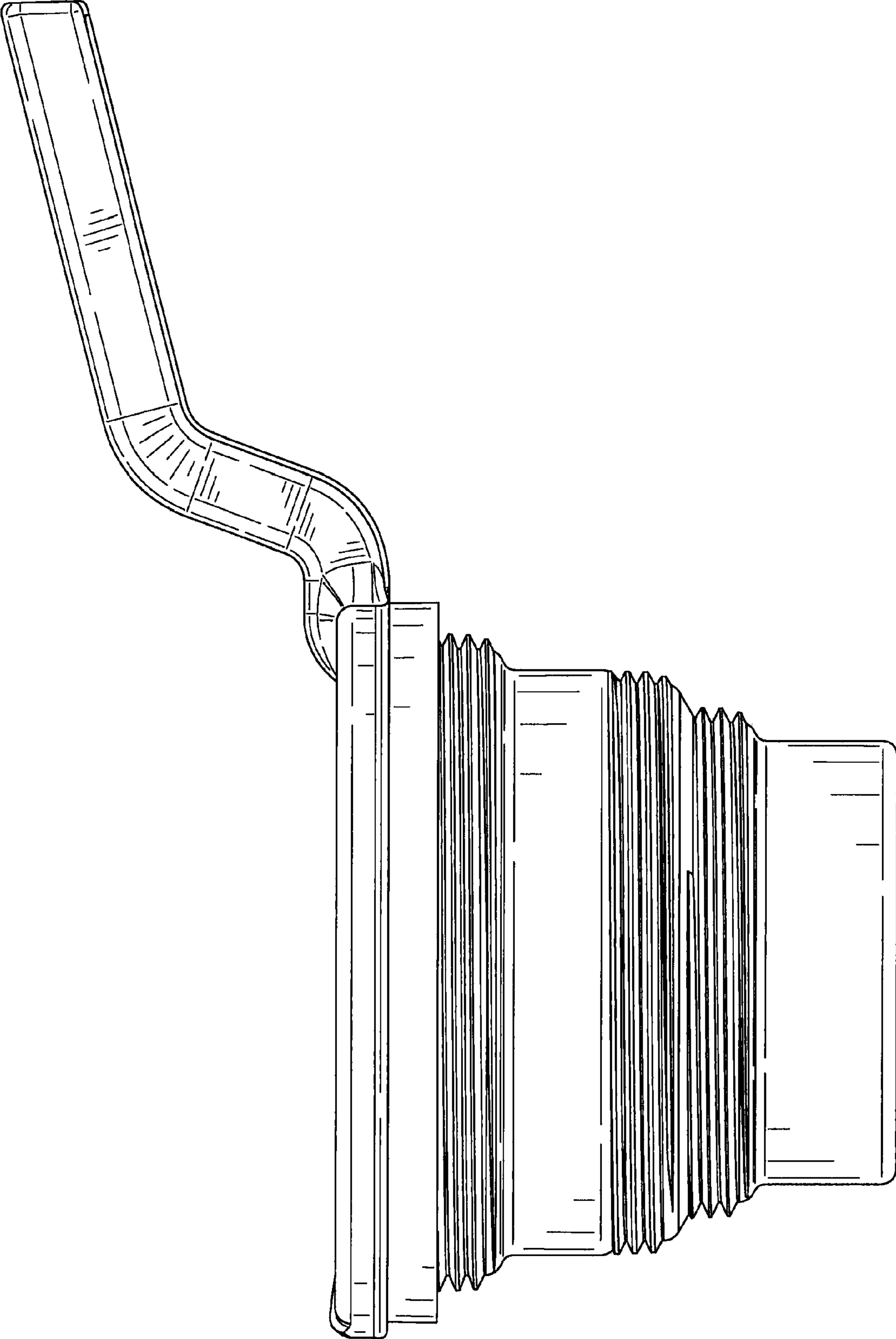


FIG. 2

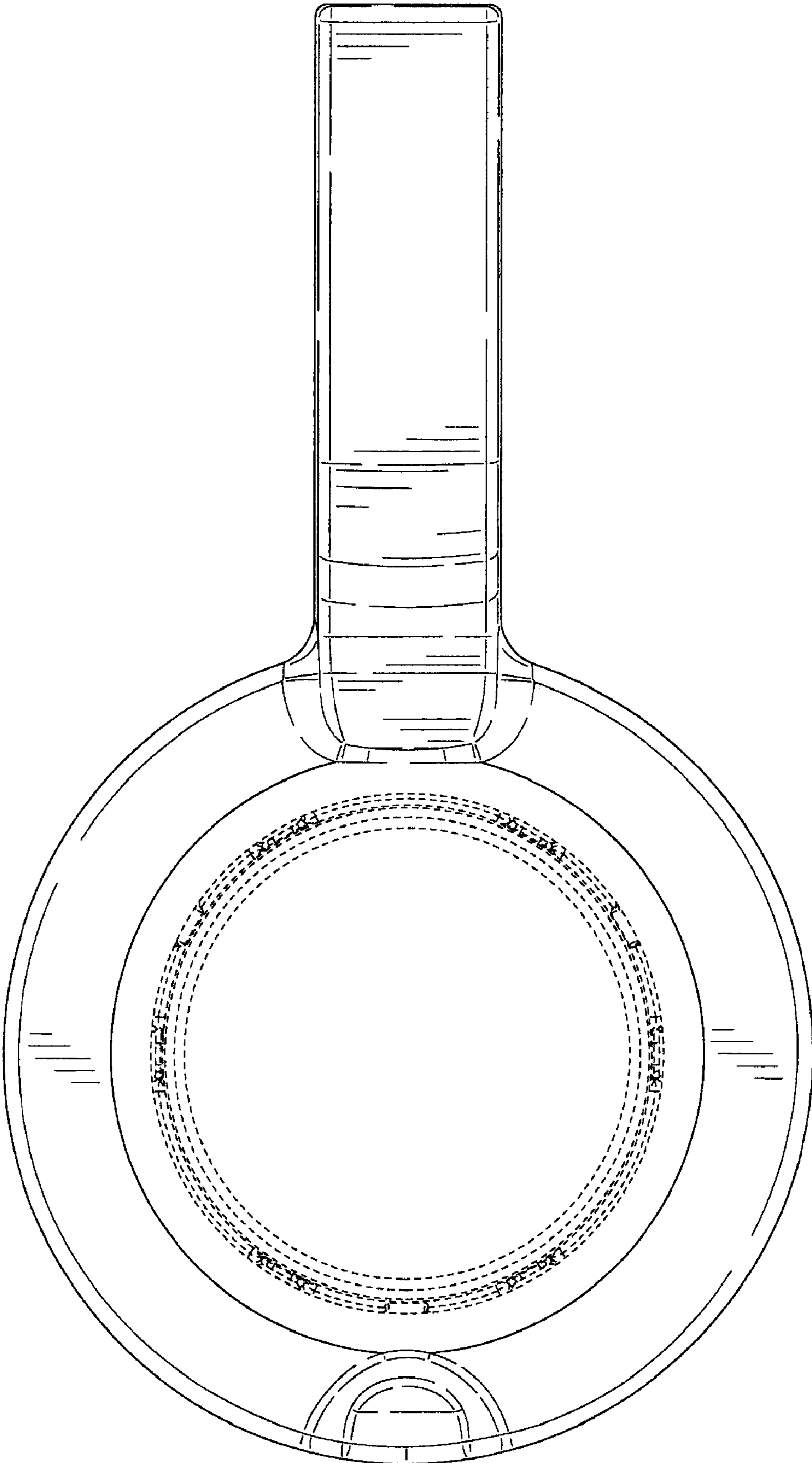


FIG. 3

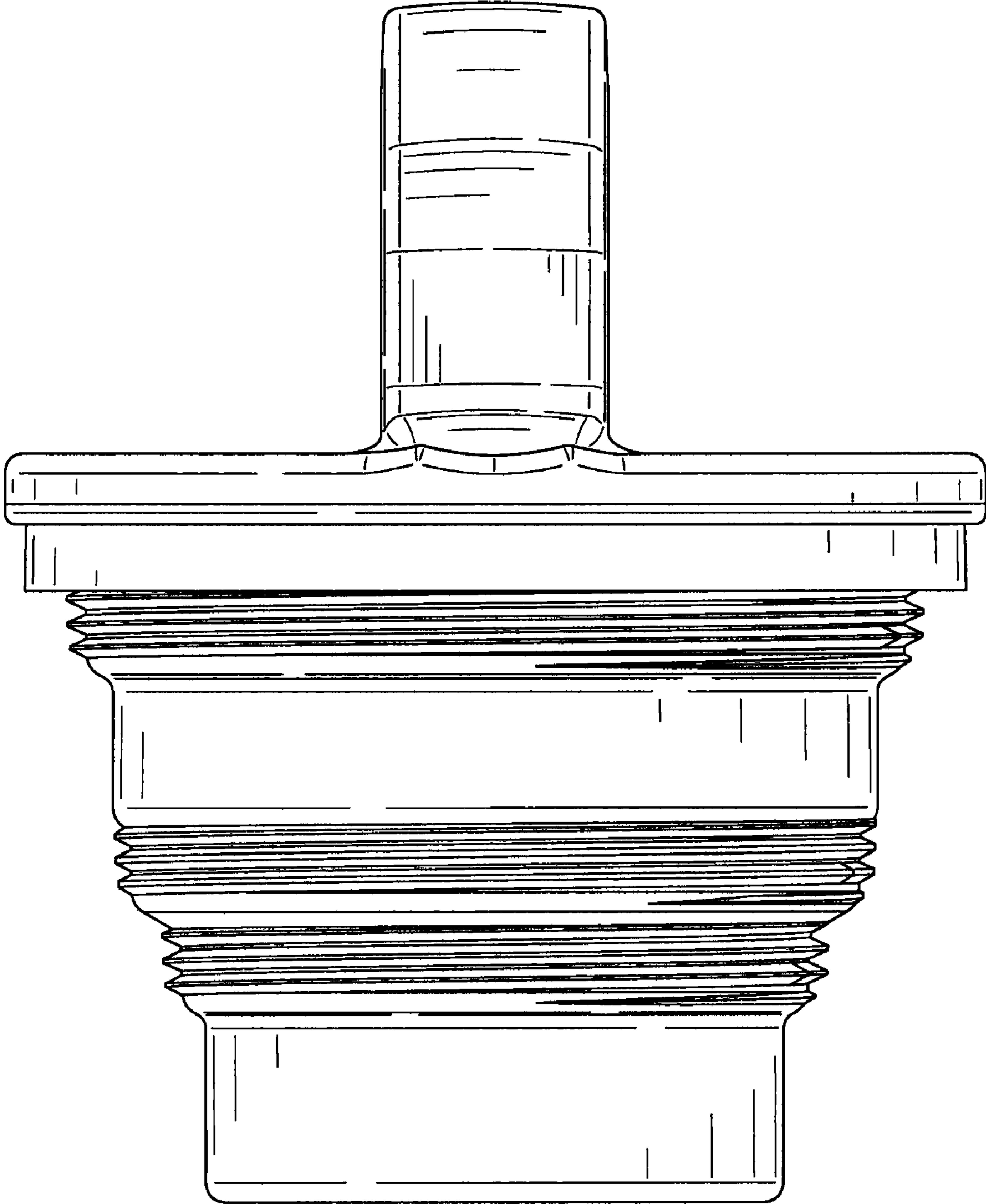


FIG. 4

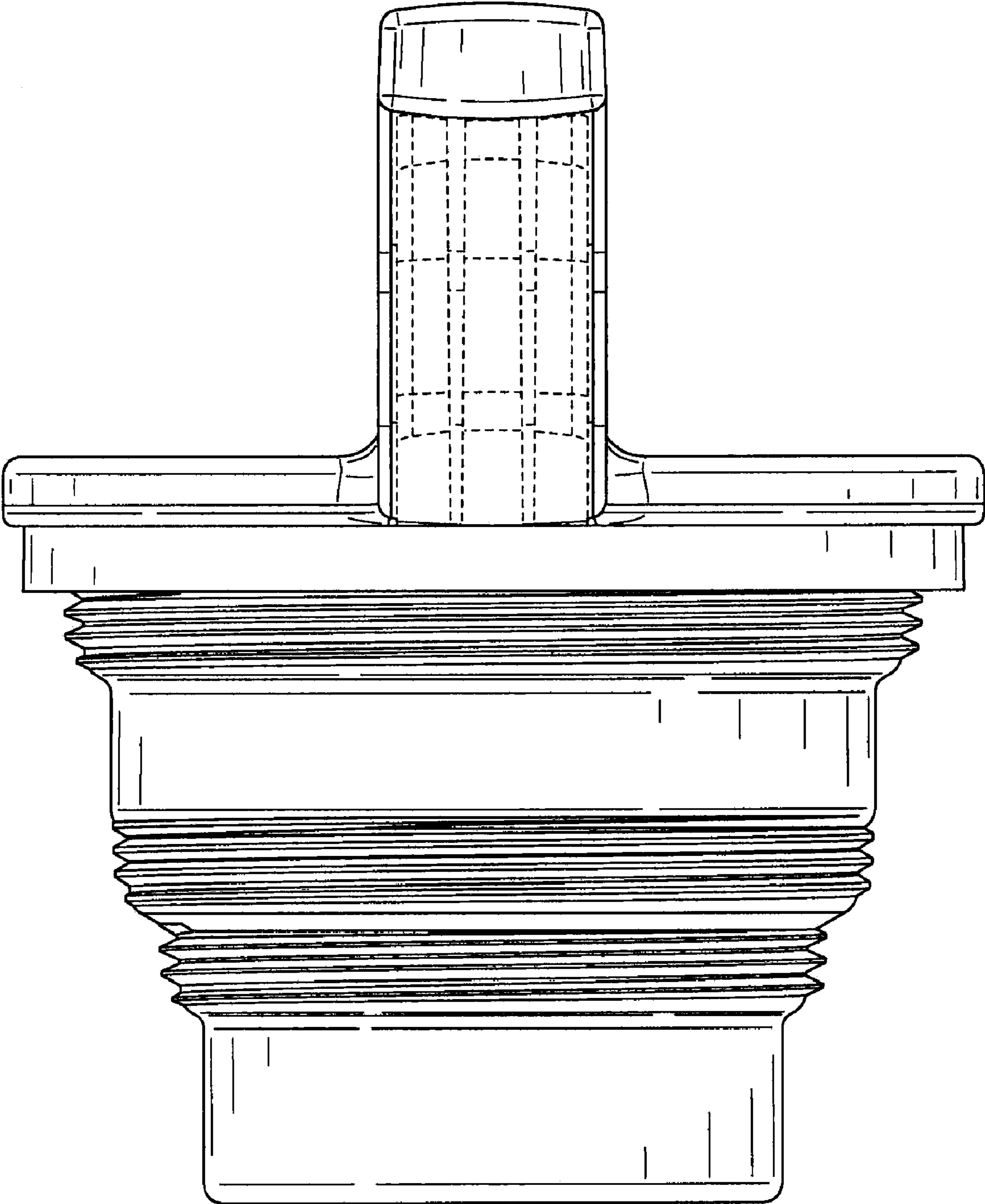


FIG. 5