



US00D612911S

(12) **United States Design Patent**  
**Grether**

(10) **Patent No.:** **US D612,911 S**  
(45) **Date of Patent:** **\*\* Mar. 30, 2010**

(54) **FLOW REGULATOR**

(75) Inventor: **Hermann Grether**, Mulheim (DE)

(73) Assignee: **Neoperl GmbH**, Müllheim (DE)

(\*\*) Term: **14 Years**

(21) Appl. No.: **29/249,172**

(22) Filed: **Sep. 26, 2006**

D526,701 S *	8/2006	Grether	.....	D23/249
7,093,425 B2	8/2006	Jankowski		
D529,140 S *	9/2006	Grether	.....	D23/249
D529,588 S *	10/2006	Grether	.....	D23/249
D536,067 S *	1/2007	Grether	.....	D23/249
D536,417 S *	2/2007	Buttgen	.....	D23/213

(Continued)

**FOREIGN PATENT DOCUMENTS**

EP 000314224 \* 3/2005

**Related U.S. Application Data**

(63) Continuation of application No. 29/235,330, filed on Jul. 29, 2005, now Pat. No. Des. 529,140.

(30) **Foreign Application Priority Data**

Mar. 21, 2005 (EM) ..... 000314224-0001

*Primary Examiner*—Ian Simmons  
*Assistant Examiner*—Carissa C Fitts  
(74) *Attorney, Agent, or Firm*—Volpe and Koenig, P.C.

(51) **LOC (9) Cl.** ..... **23-01**

(52) **U.S. Cl.** ..... **D23/249**

(58) **Field of Classification Search** ..... D23/235,  
D23/236, 237, 246, 247, 248, 249, 257, 260,  
D23/213; 138/40-42, 37; 239/428.5, 552,  
239/553.3, 553.5; 261/DIG. 22

See application file for complete search history.

(57) **CLAIM**

The ornamental design for a flow regulator, as shown and described.

**DESCRIPTION**

(56) **References Cited**

**U.S. PATENT DOCUMENTS**

2,793,016 A	5/1957	Aghnides	
2,797,906 A	7/1957	Aghnides	
2,849,217 A	8/1958	Bachli et al.	
3,363,841 A	1/1968	Aghnides	
D235,772 S *	7/1975	Saporito	..... D23/213
4,313,564 A	2/1982	Shames et al.	
4,971,117 A	11/1990	Hendrickson	
5,467,929 A	11/1995	Bosio	
D428,114 S	7/2000	Le Bars	
6,126,093 A	10/2000	Grether et al.	
6,152,182 A	11/2000	Grether et al.	
6,354,903 B1 *	3/2002	Nelson	..... 445/58
6,892,964 B2	5/2005	Grether et al.	
6,902,123 B2	6/2005	Grether et al.	
D516,182 S	2/2006	Buttgen	

FIG. 1 is a top perspective view of a flow regulator showing my new design;

FIG. 2 is a front elevational view of the flow regulator of FIG. 1;

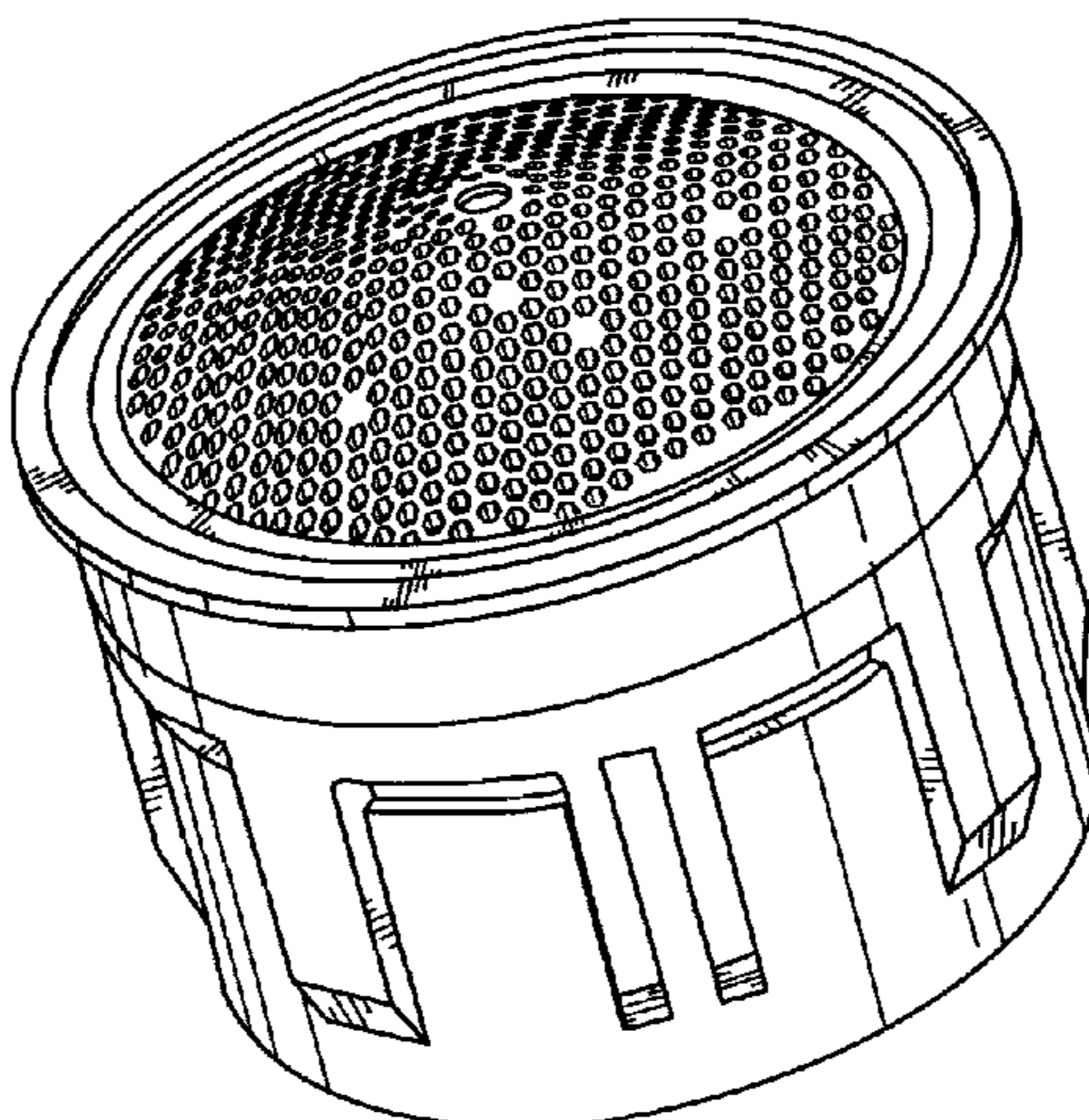
FIG. 3 is a top plan view of the flow regulator of FIG. 1;

FIG. 4 is a side elevational view of the flow regulator of FIG. 1;

FIG. 5 is a back elevational view of the flow regulator of FIG. 1; and,

FIG. 6 is a bottom plan view of the flow regulator of FIG. 1, wherein the dashed lines show environmental matter for illustrative purposes only and do not form part of the claimed design.

**1 Claim, 3 Drawing Sheets**



# US D612,911 S

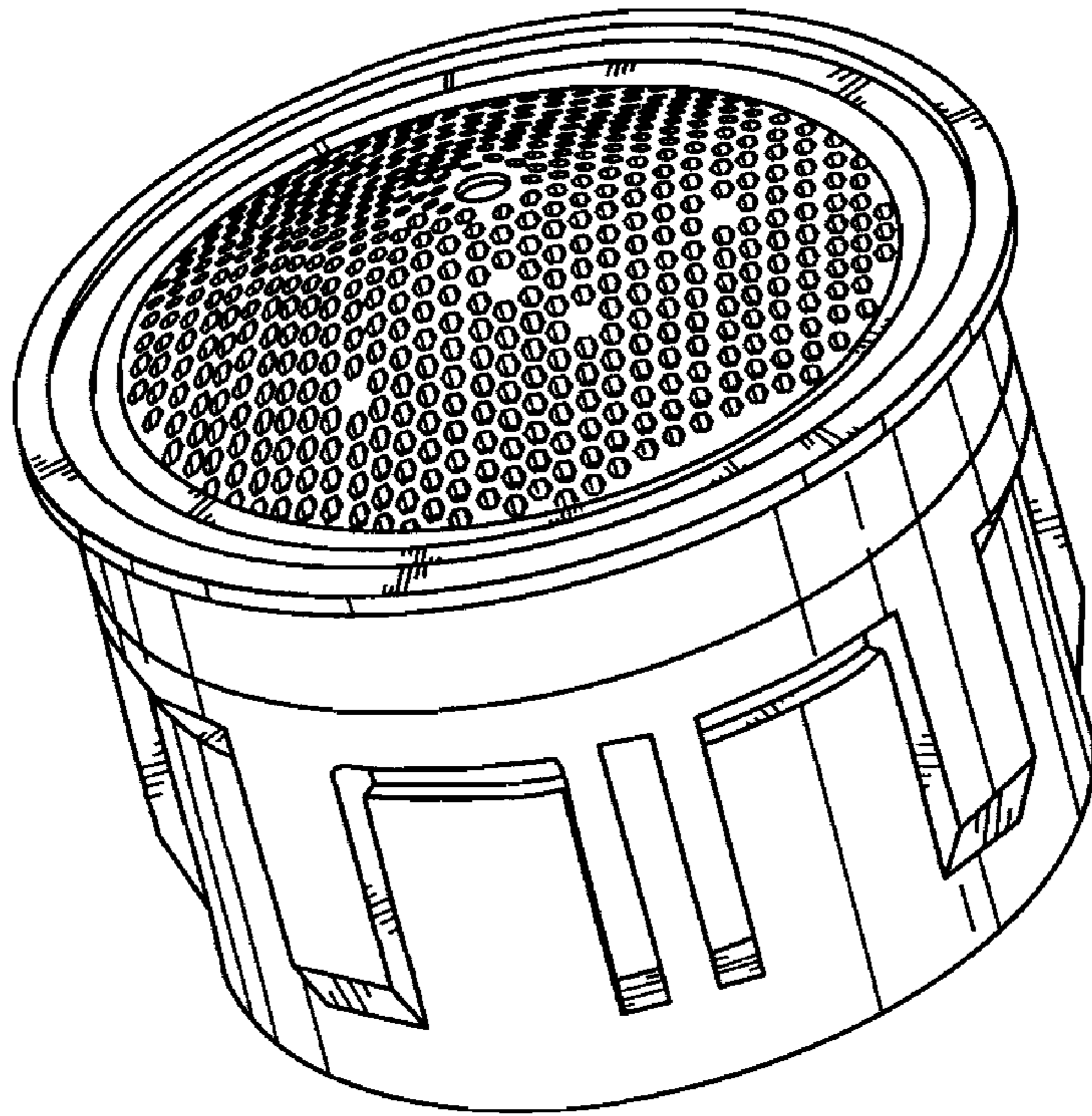
Page 2

---

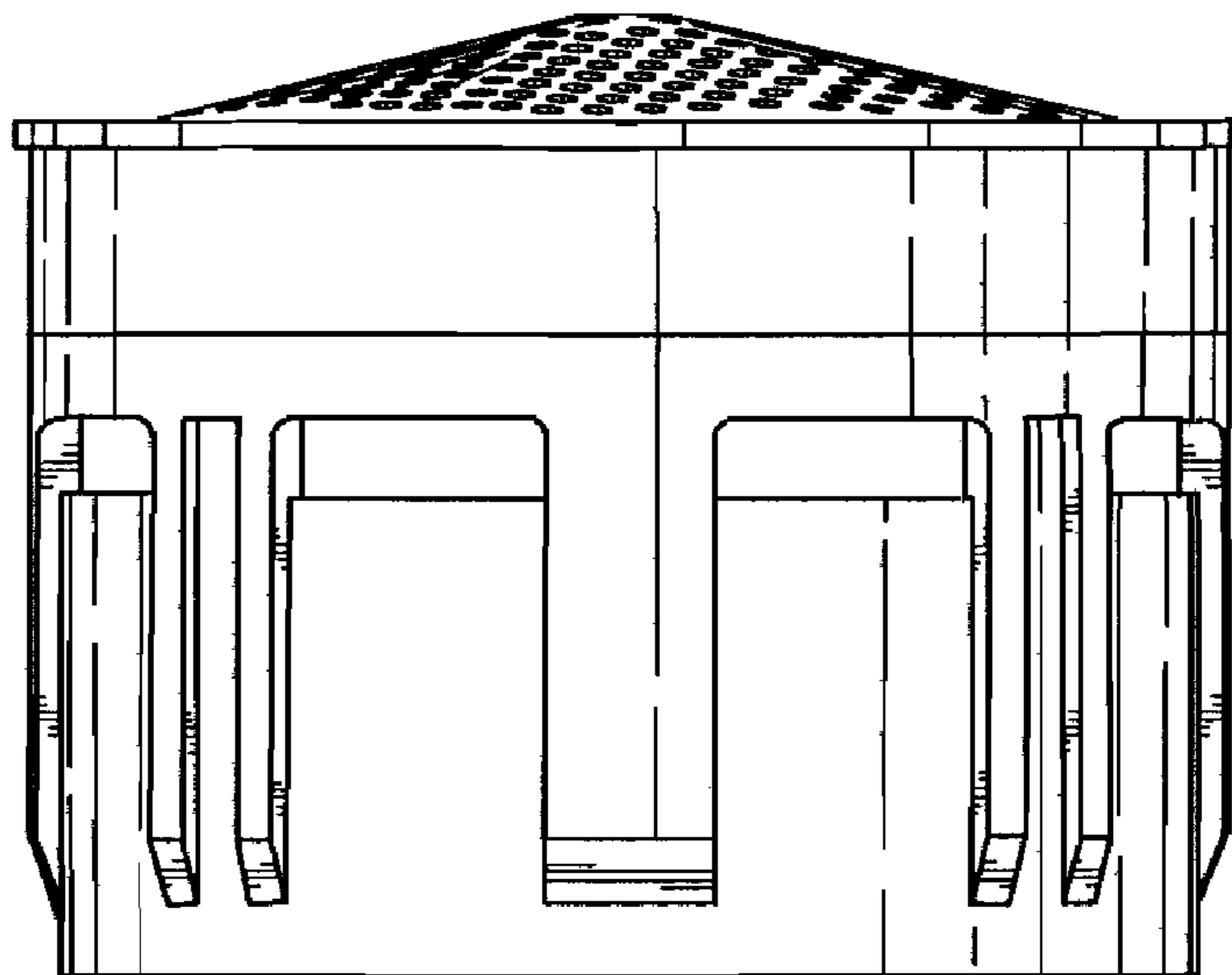
## U.S. PATENT DOCUMENTS

D539,390 S *	3/2007	Grether	.....	D23/249	D550,815 S *	9/2007	Grether	.....	D23/249
D539,391 S *	3/2007	Grether	.....	D23/249	D550,816 S *	9/2007	Grether	.....	D23/249
D539,873 S *	4/2007	Grether	.....	D23/249	D550,817 S *	9/2007	Grether	.....	D23/249
D550,814 S *	9/2007	Grether	.....	D23/249	D550,818 S *	9/2007	Grether	.....	D23/249
					2006/0011748 A1	1/2006	Ferrari		

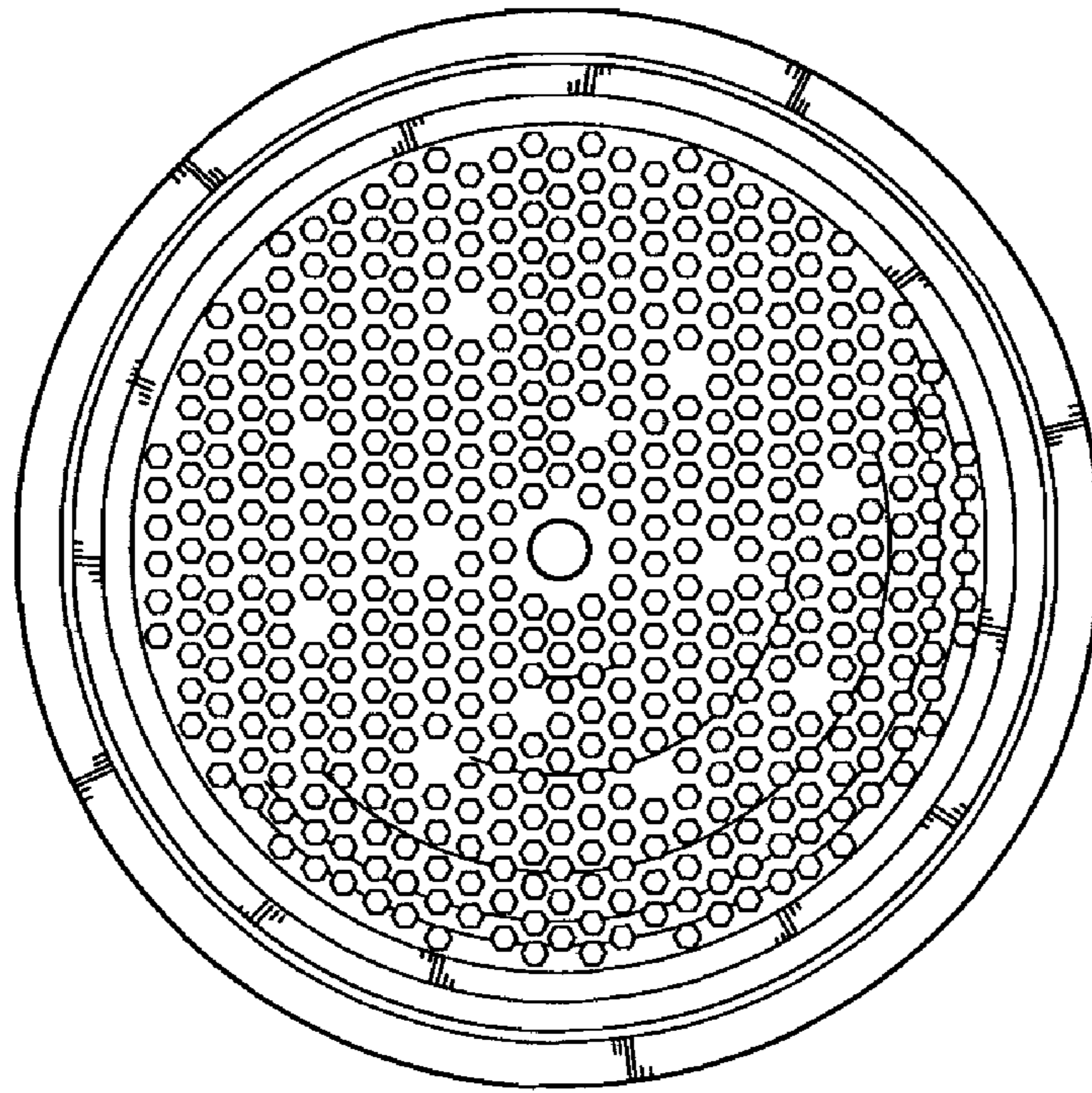
\* cited by examiner



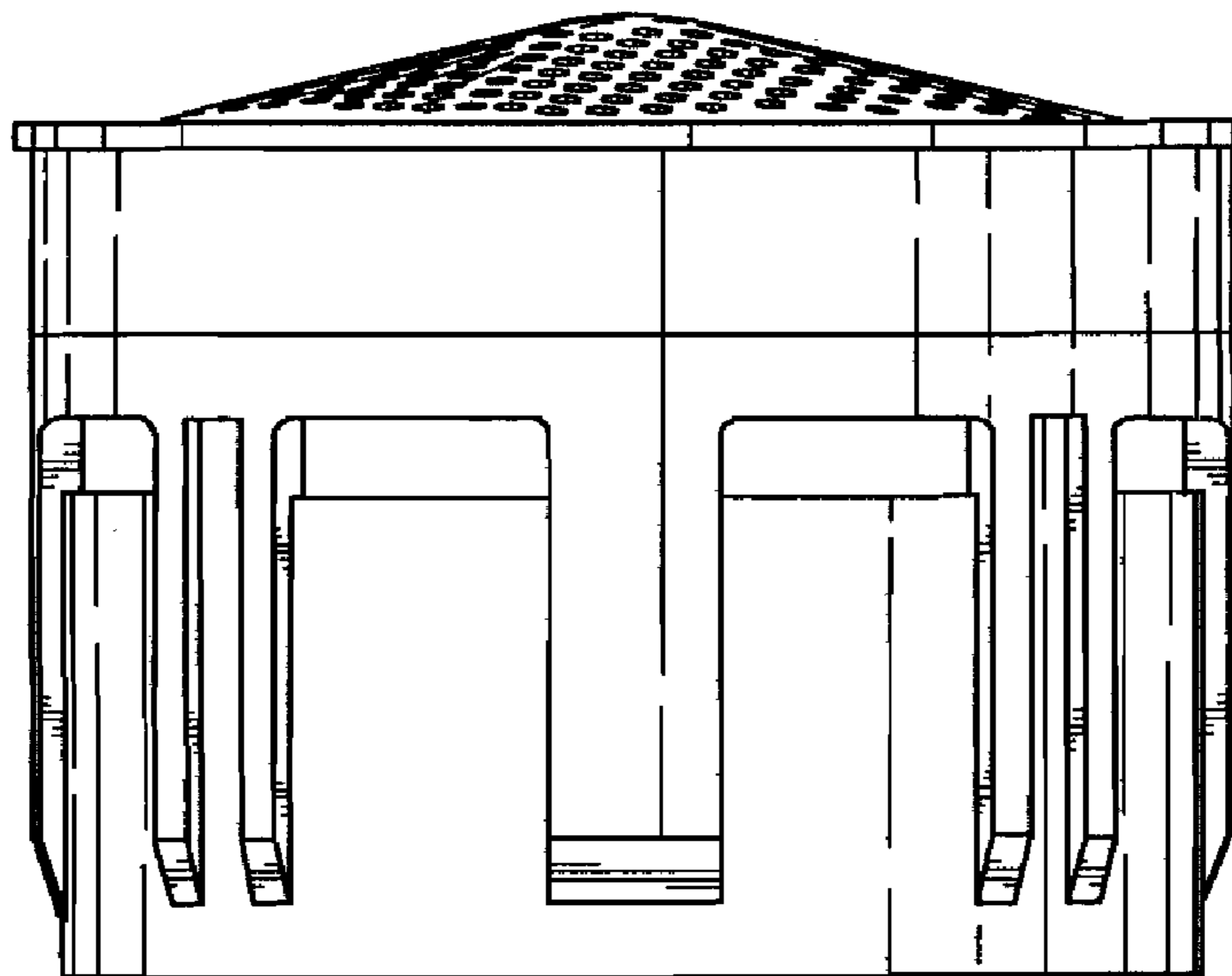
**FIG. 1**



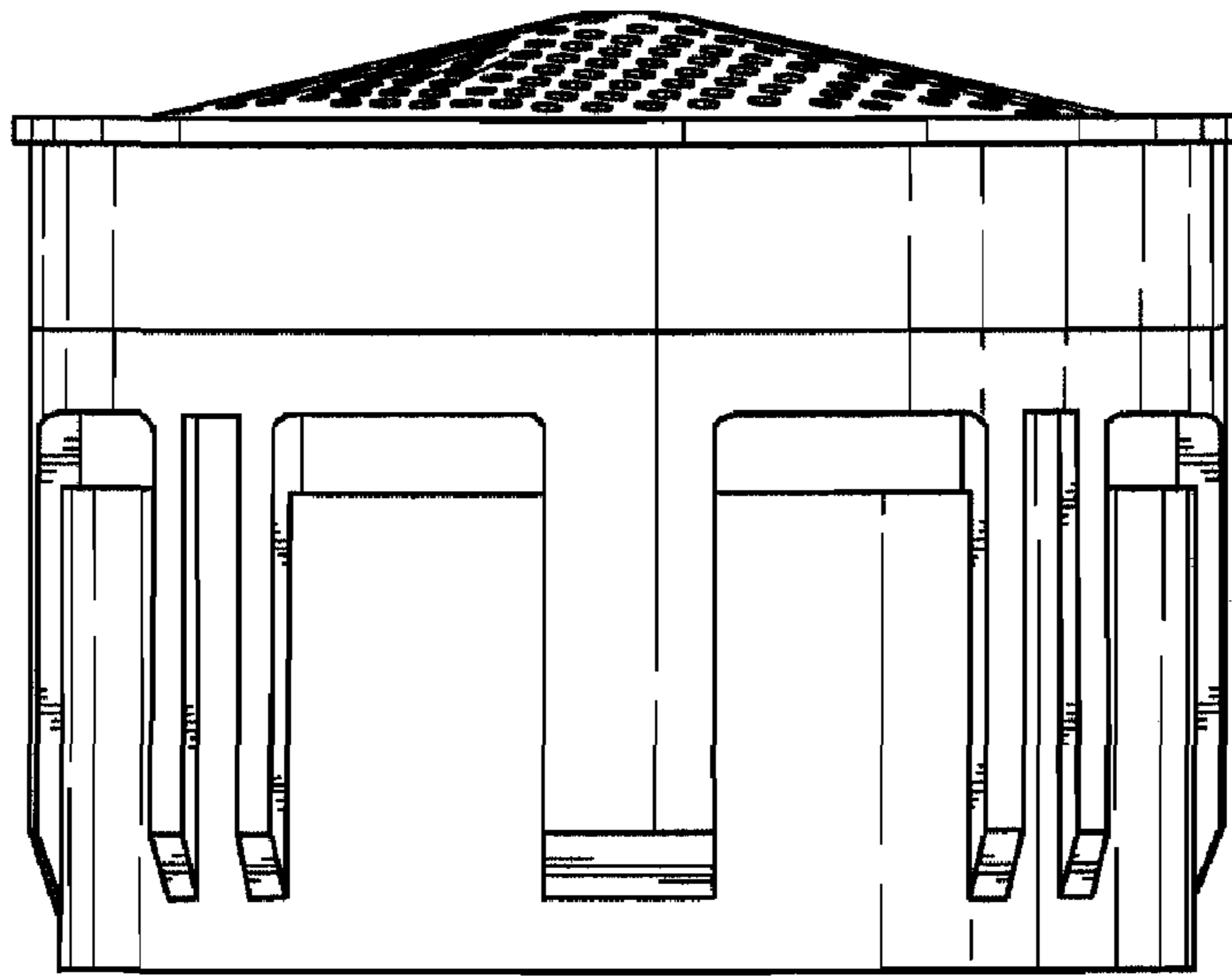
**FIG. 2**



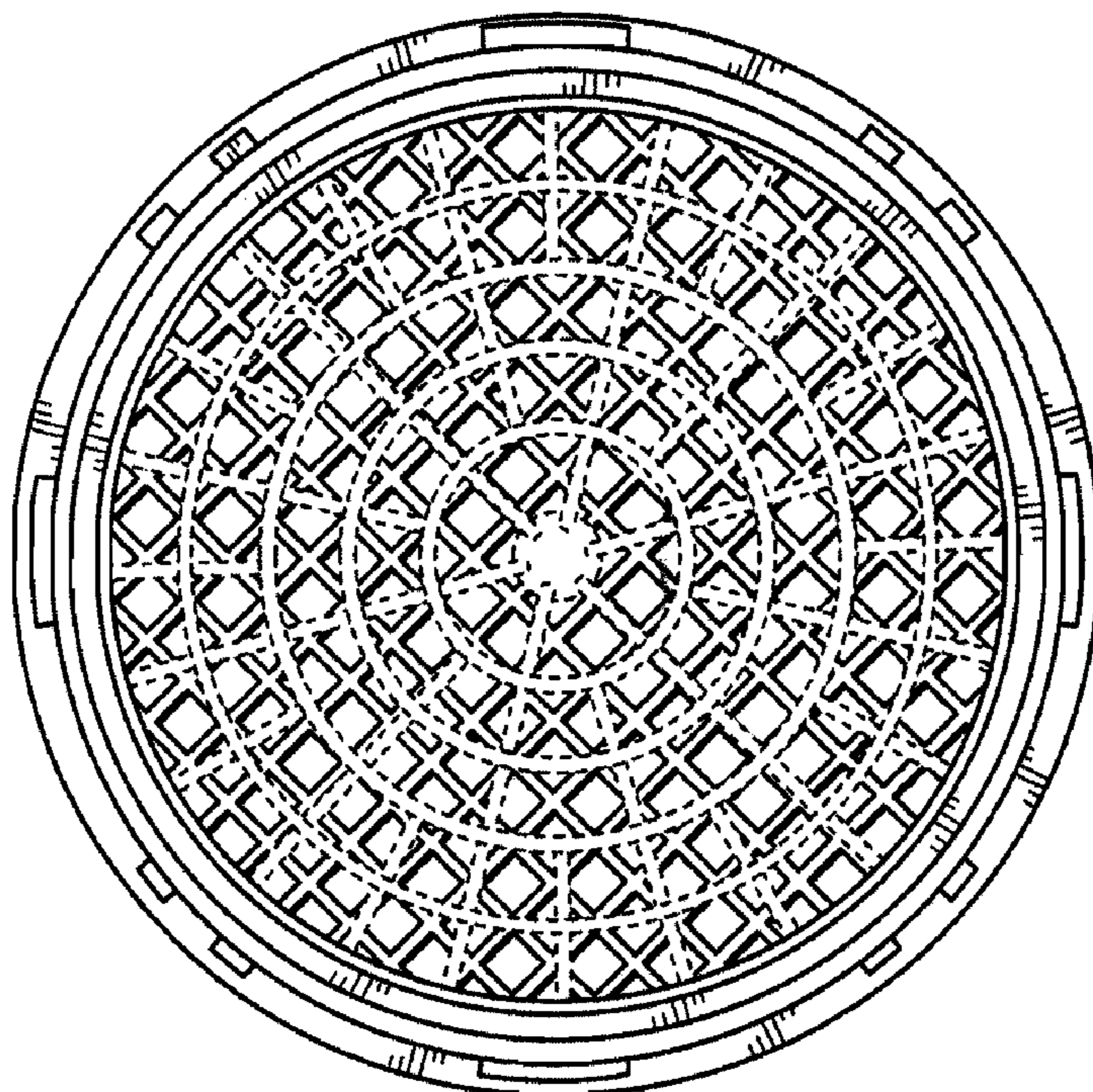
**FIG. 3**



**FIG. 4**



**FIG. 5**



**FIG. 6**